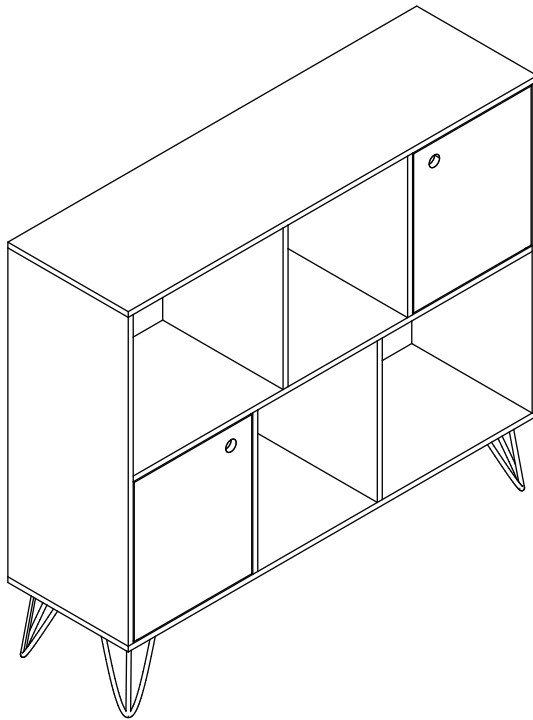


BOOKCASE



CONTENTS

Safety and care advice	1
Components – panels	2
Components – fittings	3
Assembly instructions	4
Copyright	12

⚠ SAFETY AND CARE ADVICE ⚠

PLEASE READ THESE INSTRUCTIONS CAREFULLY AND KEEP FOR FUTURE REFERENCE

Warning: Please lift with care.

- Check you have all the components and tools listed on pages 2 and 3.
- Remove all fittings from the plastic bags and separate them into their groups.
- Keep children and animals away from the work area, small parts could choke if swallowed.
- Make sure you have enough space to layout the parts before starting.
- Do not stand or put weight on the product, this could cause damage.
- Assemble the item as close to its final position (in the same room) as possible.
- Assemble on a soft level surface to avoid damaging the unit or your floor (use opened out unit carton).



·We do not recommend the use of power drill/drivers **for inserting screws**, as this could damage the unit. Only use hand screwdrivers.

·**Safety note:** If there is any chance of this unit being pulled over by children etc. it is recommended that the unit is secured to a wall using suitable fixings .

·Dispose of all packaging carefully and responsibly.

CARE AND MAINTENANCE

- Only clean using a damp cloth and mild detergent, do not use bleach or abrasive cleaners.
- From time to time check that there are no loose screws on this unit.

·This product should not be discarded with household waste. Take to your local authority waste disposal center.

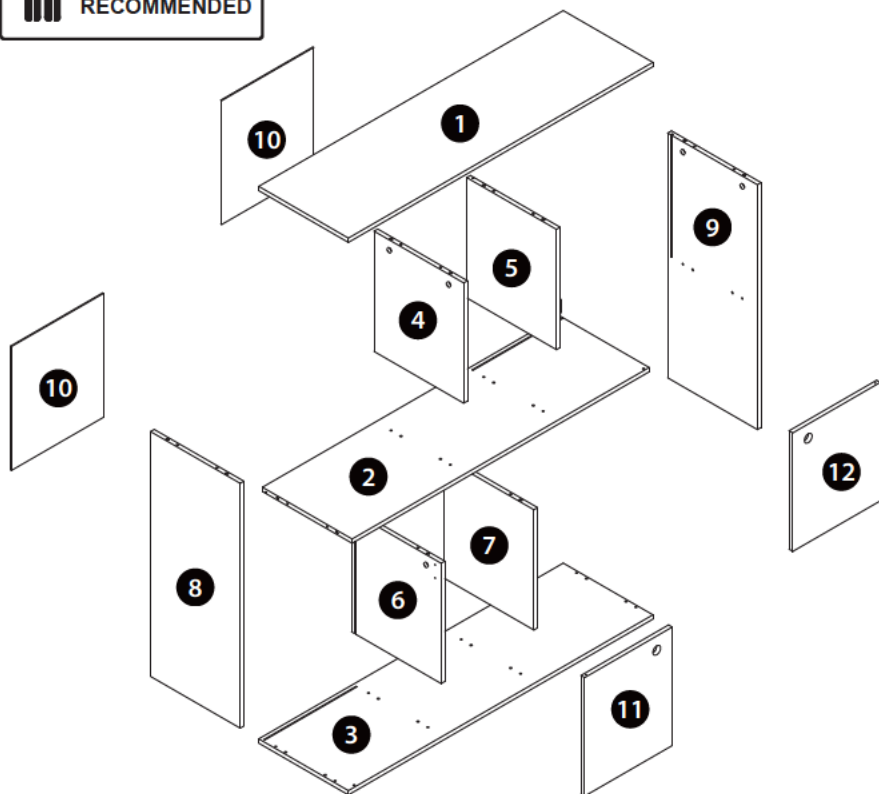
Note: *If required the next page can be cut out and used as reference throughout the assembly. Keep this page with these instructions for future reference*

COMPONENTS — PANELS

Please check you have all the panels listed below:



2 PERSON
ASSEMBLY
RECOMMENDED



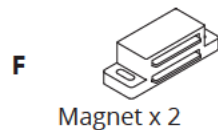
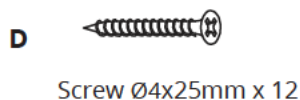
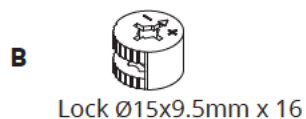
PANEL LIST

PACK 1/1				
1	Top Panel	x1	7 Vertical Panel	x1
2	Middle Shelf Panel	x1	8 Left Side Panel	x1
3	Bottom Panel	x1	9 Right Side Panel	x1
4	Vertical Panel	x1	10 Back Panel	x2
5	Vertical Panel	x1	11 Left Door	x1
6	Vertical Panel	x1	12 Right Door	x1



COMPONENTS — FITTINGS

Please check you have all the fittings listed below:



TOOLS NEEDED

(We don't provide)

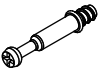





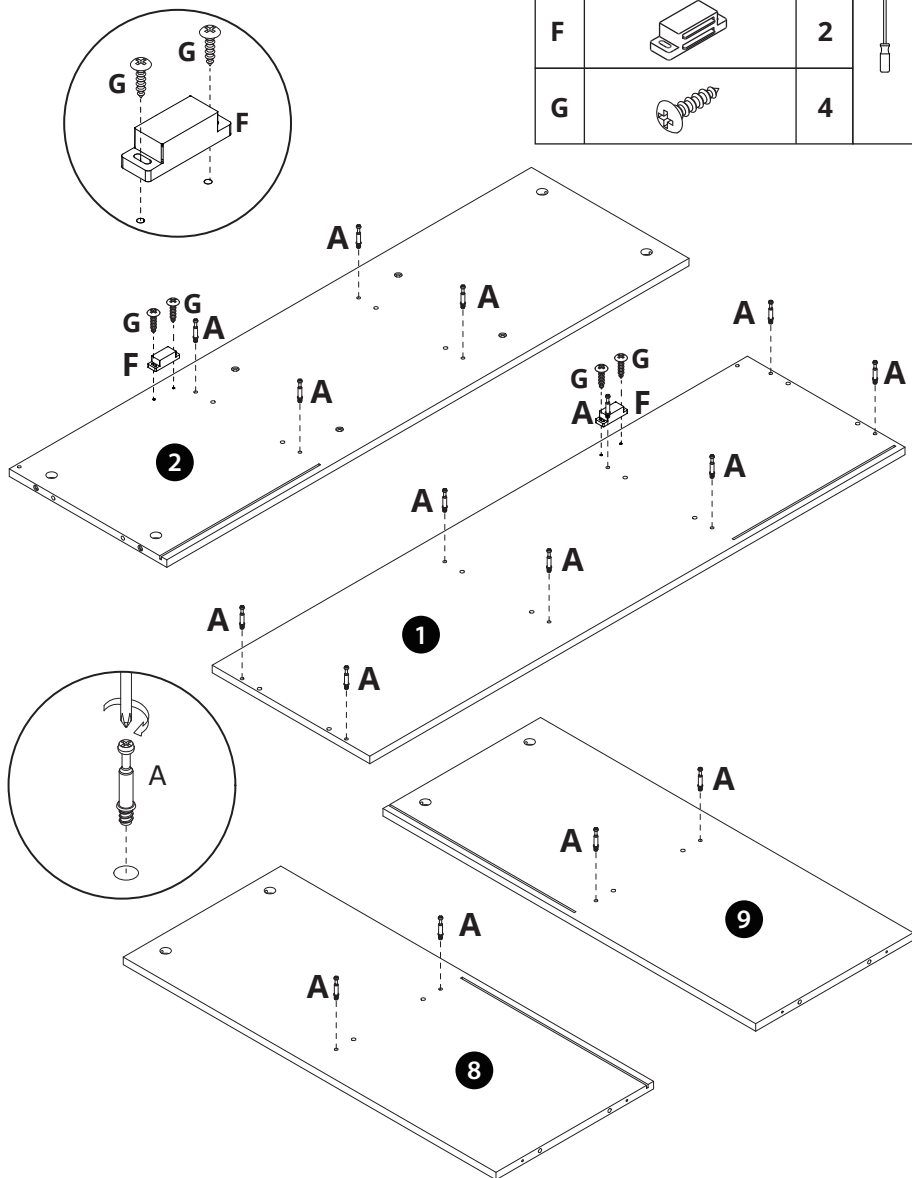
Phillips Screwdriver x 1



ASSEMBLY INSTRUCTIONS

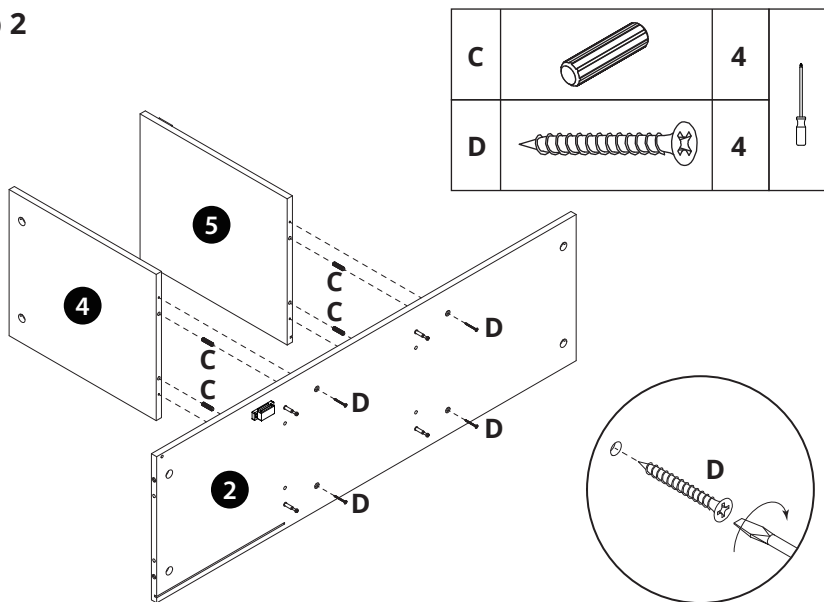
Step 1

A		16	
F		2	
G		4	

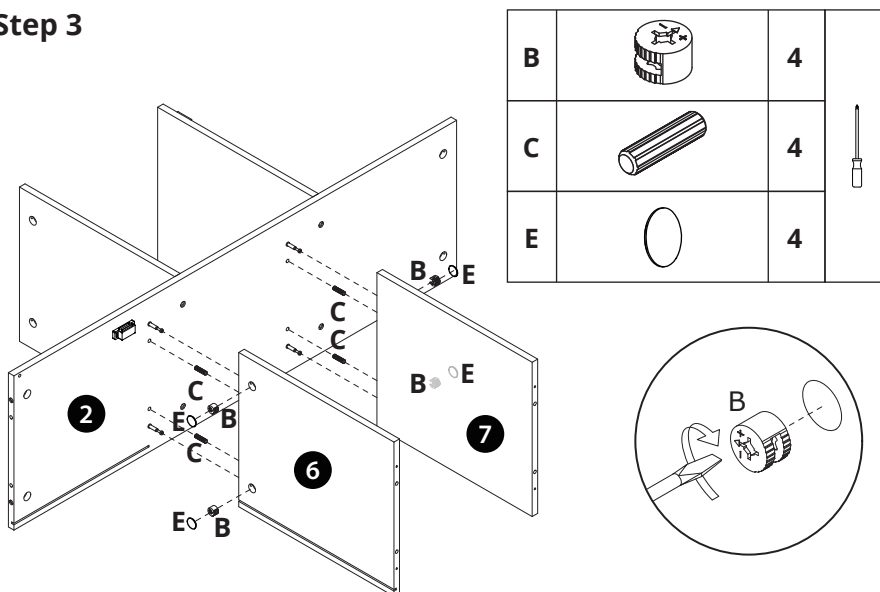


ASSEMBLY INSTRUCTIONS

Step 2

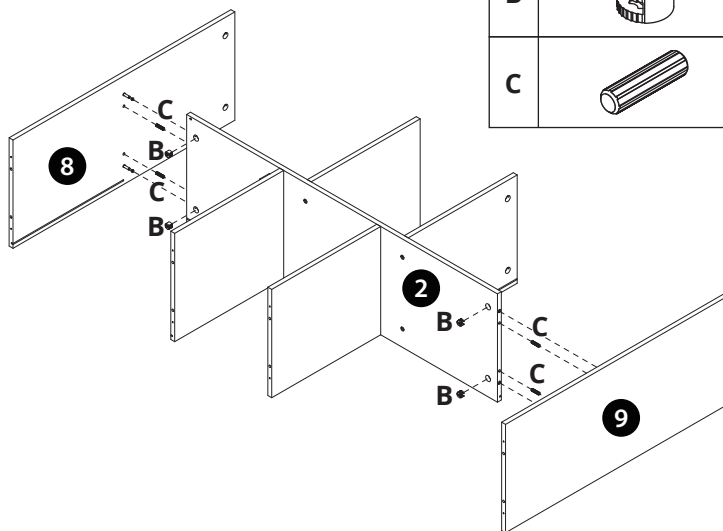


Step 3

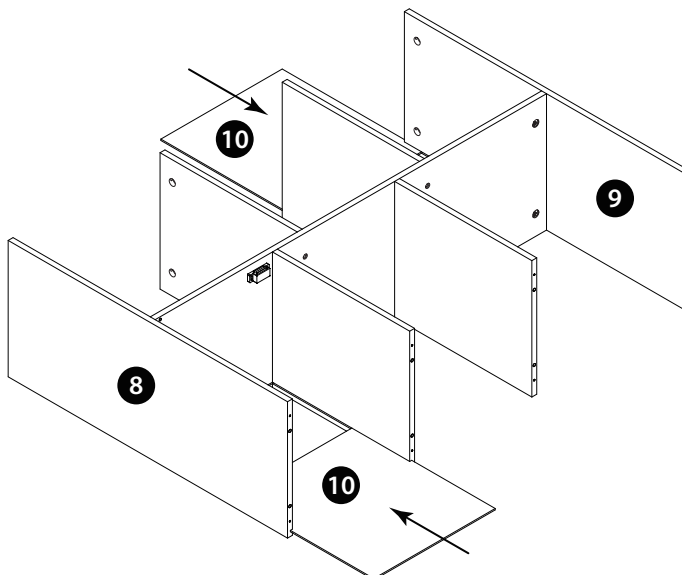


ASSEMBLY INSTRUCTIONS

Step 4

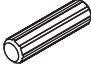

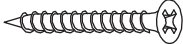


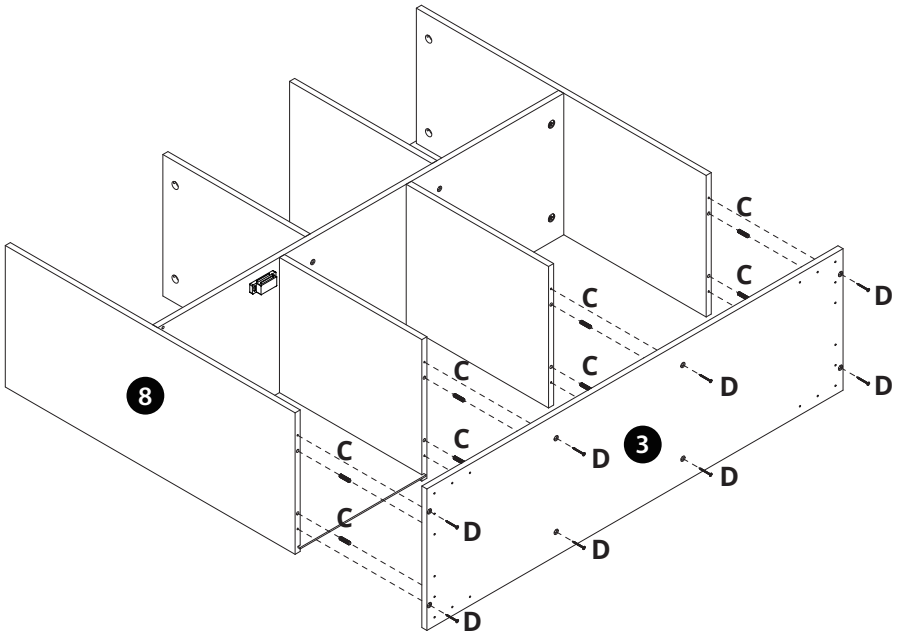
Step 5



ASSEMBLY INSTRUCTIONS



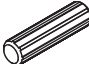

Step 6

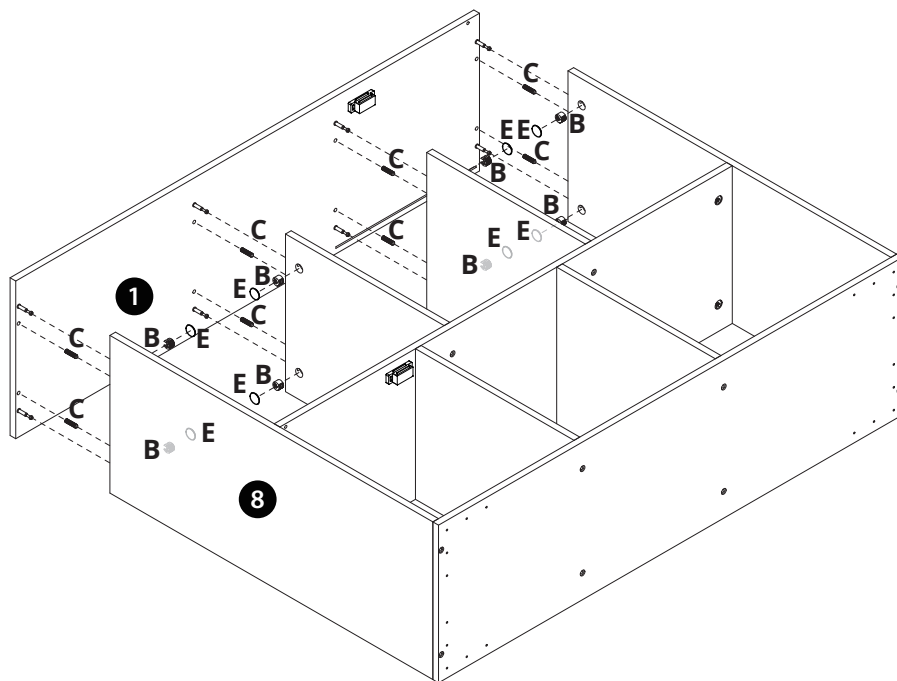
C		8	
D		8	



ASSEMBLY INSTRUCTIONS

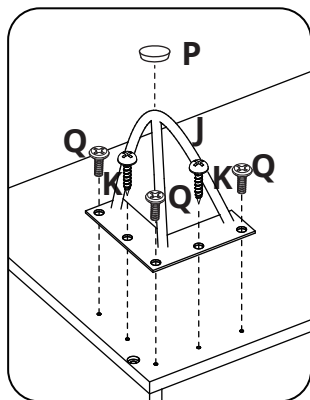
Step 7

B		8	
C		8	
E		8	

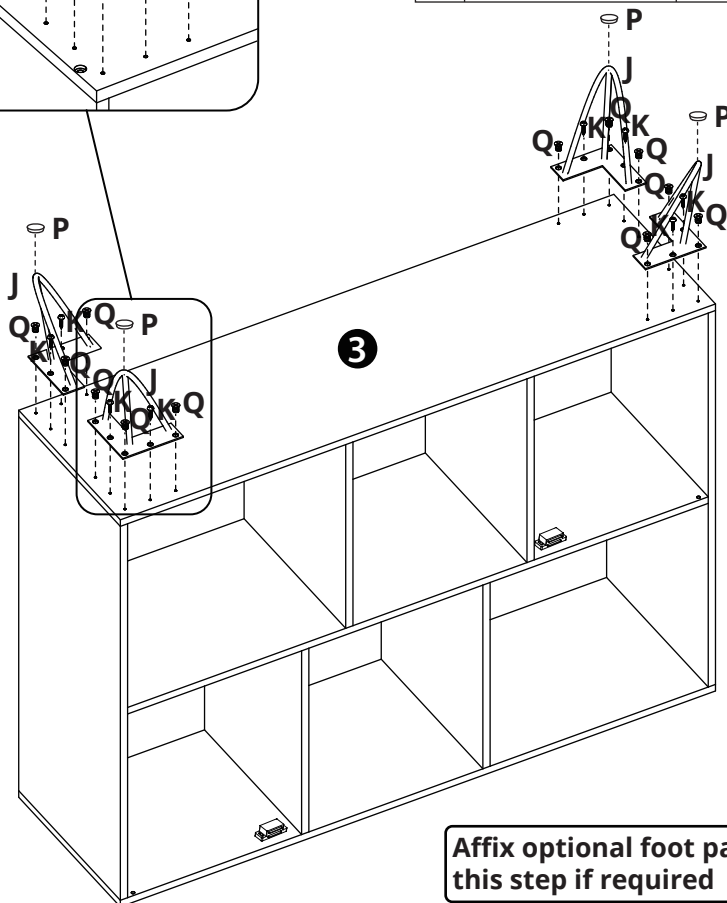


ASSEMBLY INSTRUCTIONS

Step 8







J		4	
K		8	
P		4	
Q		12	

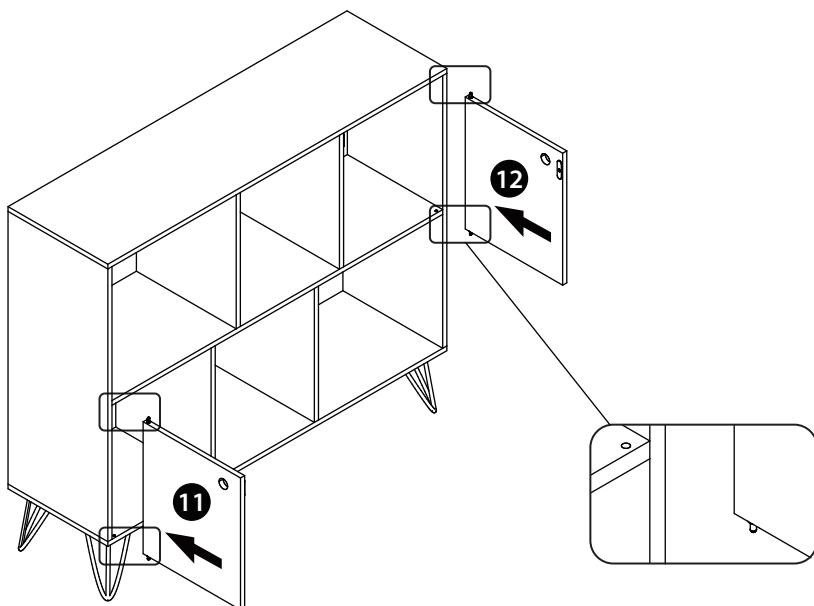
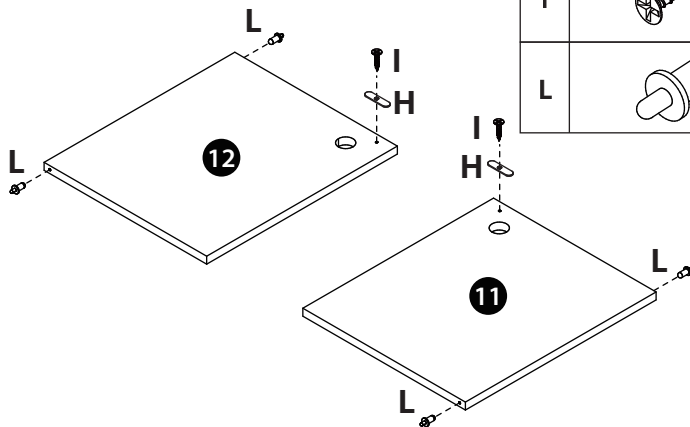


Affix optional foot pad at this step if required

ASSEMBLY INSTRUCTIONS



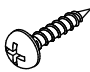


Step 9

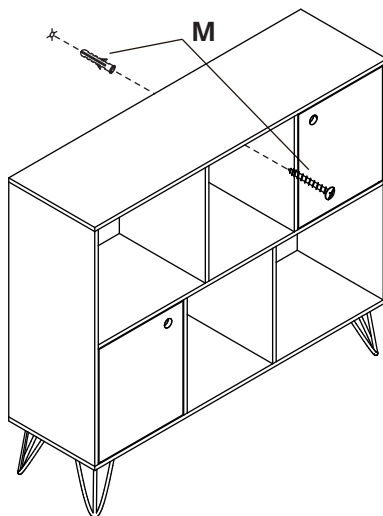
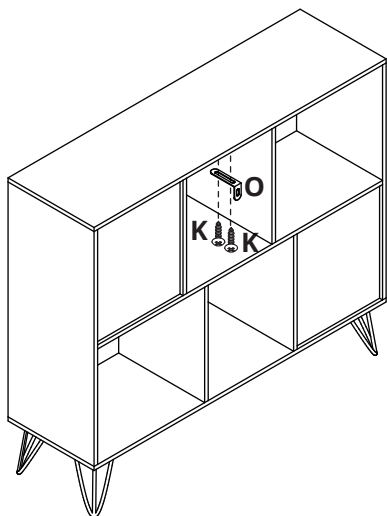
H		2	
I		2	
L		4	



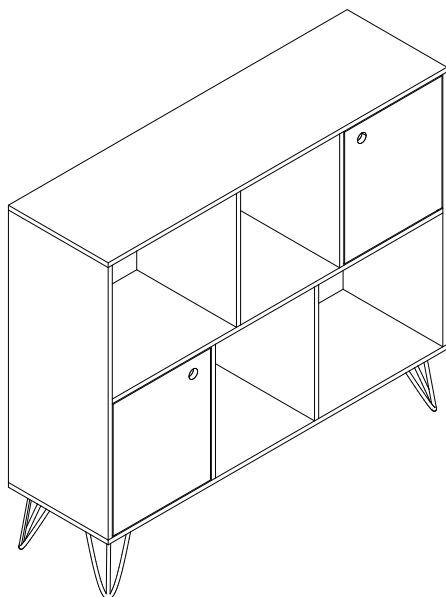
ASSEMBLY INSTRUCTIONS

Step 10

M		1	
K		2	
O		1	



ASSEMBLY INSTRUCTIONS



Congratulations! Now you have finished assembling the product.

IF YOU FIND A DEFECTIVE PART

We fully stock all parts and components. Any defective part can be quickly replaced. Take note of the defective part number in manual and we will arrange a quick replacement.

You can email our team at customercare@laura-james.co.uk

COPYRIGHT

All material in this instruction manual is copyrighted by AGTC Ltd.

Any unauthorised use may violate worldwide copyright, trademark and other laws.

Thank you for purchasing!

