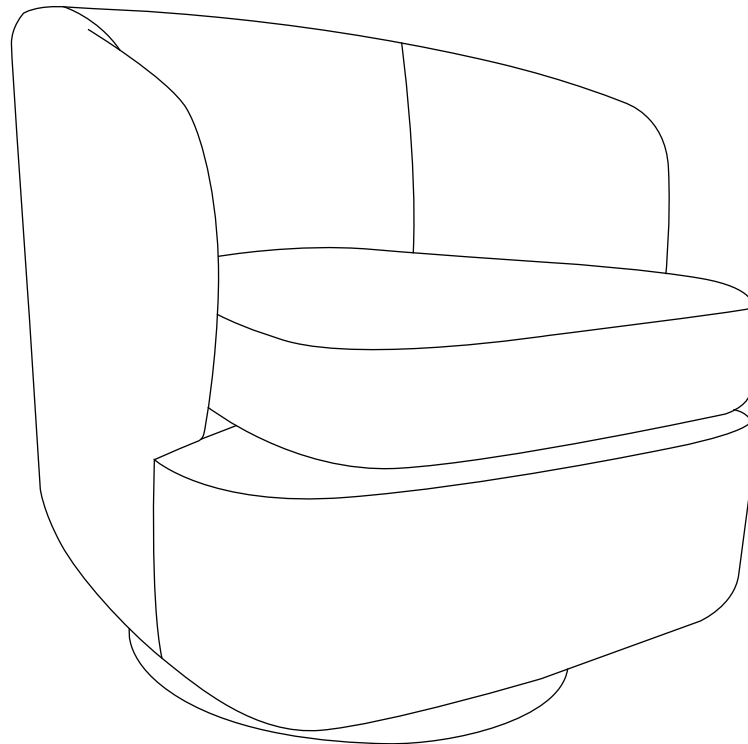


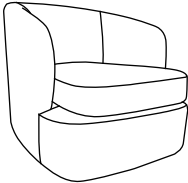
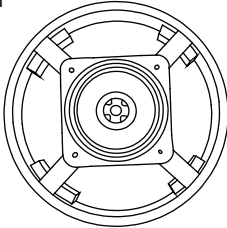
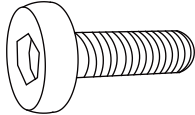
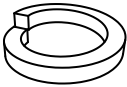

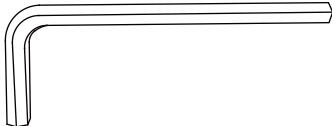
Assembly Manual

Swivel Armchair



▲ CAUTION

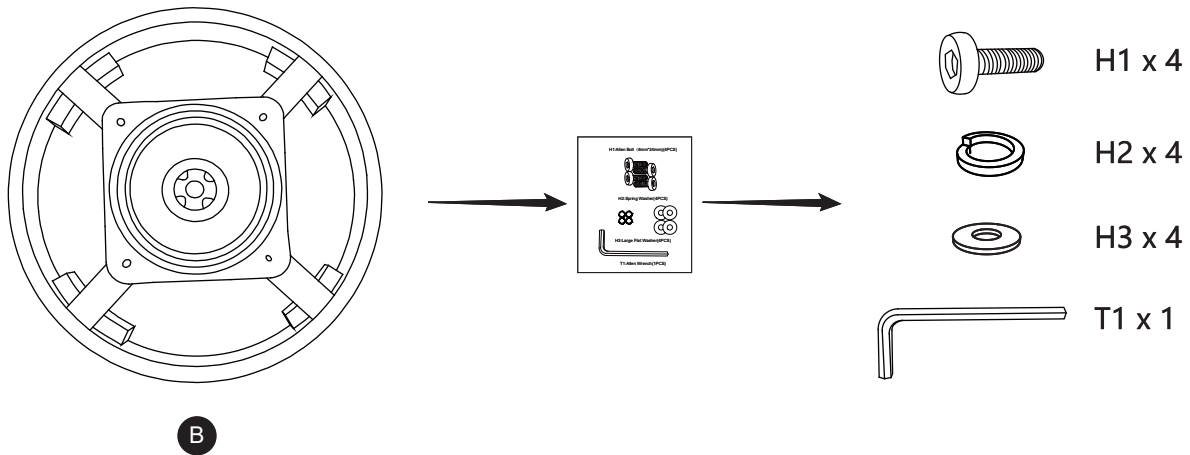
THIS ASSEMBLY MANUAL CONTAINS IMPORTANT SAFETY INFORMATION.
PLEASE READ AND KEEP FOR FUTURE REFERENCE.

<p>A x 1</p>  <p>Chair body</p>	<p>B x 1</p>  <p>Chair base</p>	<p>H1 x 4</p>  <p>Bolt 1/4"X30mm</p>
<p>H2 x 4</p>  <p>Spring Washer</p>	<p>H3 x 4</p>  <p>Flat Washer</p>	<p>T1 x 1</p>  <p>Allen Wrench M4, 25*100mm</p>

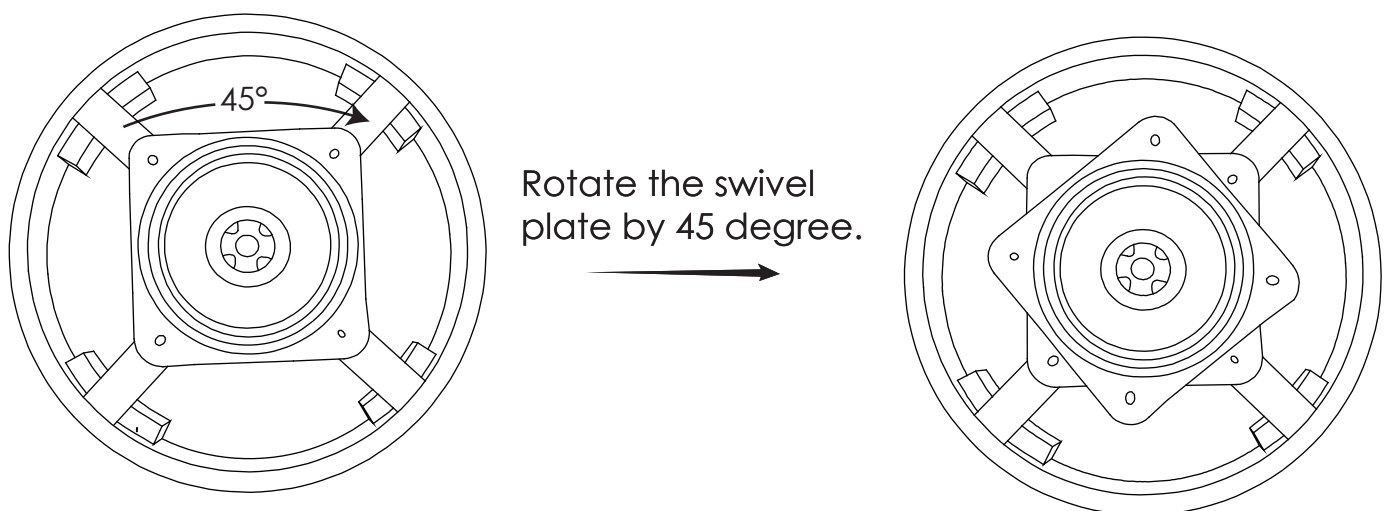
Please read through the instructions below to familiarize yourself with the parts and steps before assembly.

ASSEMBLY INSTRUCTIONS

- 1 Locate the hardware pack attached to the Chair Base (B). Make sure all parts and hardware are present before assembly. Assemble on a soft and smooth surface to prevent damage to product.

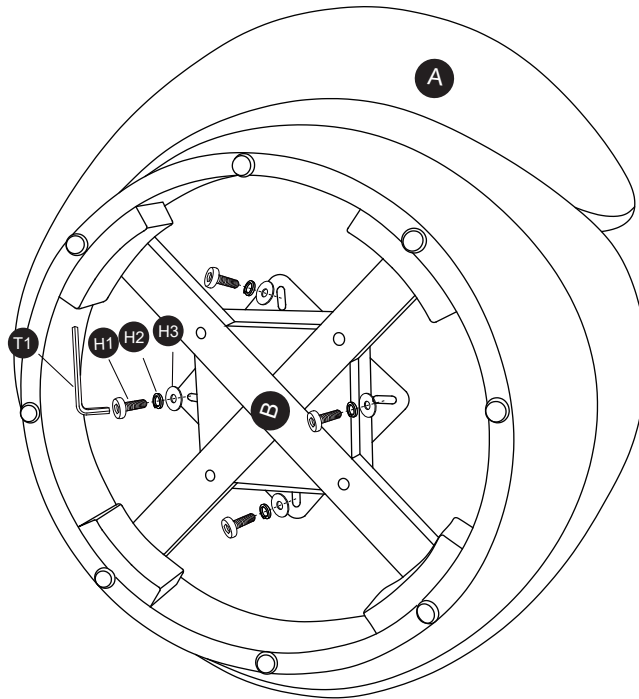


- 2 Rotate the swivel plate by 45 degree.

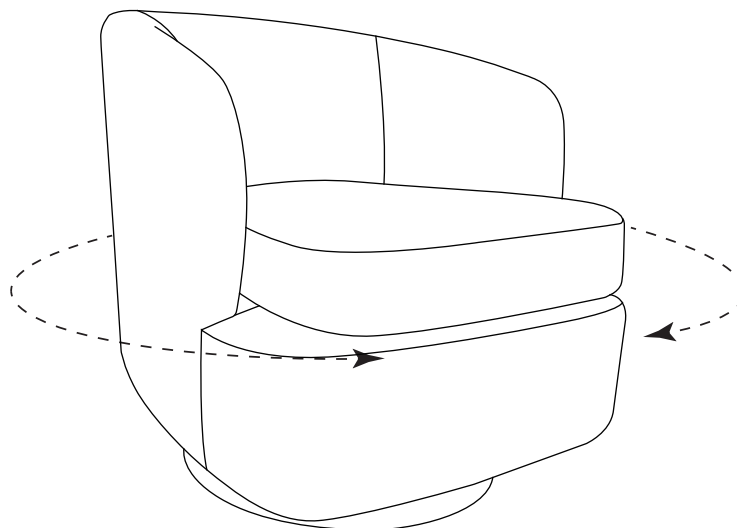


- 3 Attach the Chair Base (B) to Chair Body (A), using Bolts (H1), Spring Washers (H2), and Flat Washers (H3).

Note: **Loosely** attach the bolts one by one and **keep them loose**. **Do not fully tighten**. After all 4 bolts are attached, use Allen Wrench (T1) to tighten.



- 4 Assembly complete. Take a spin and enjoy.



Design Exquisite Furniture For Your Home

PRODUCT WARRANTY

- 1-year limited on cover against splitting, peeling, and/or tearing.
- 1-year limited on internal and external frame structure.
- 1-year limited on cushioning material, seat springs and mechanism.