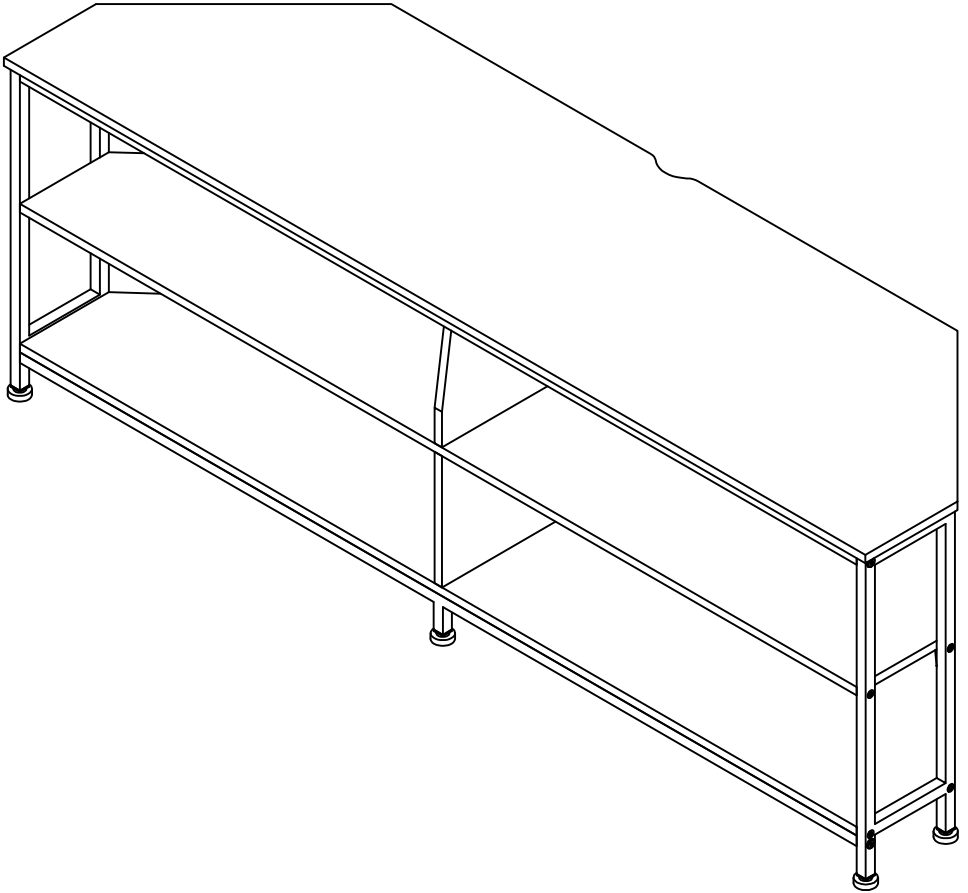
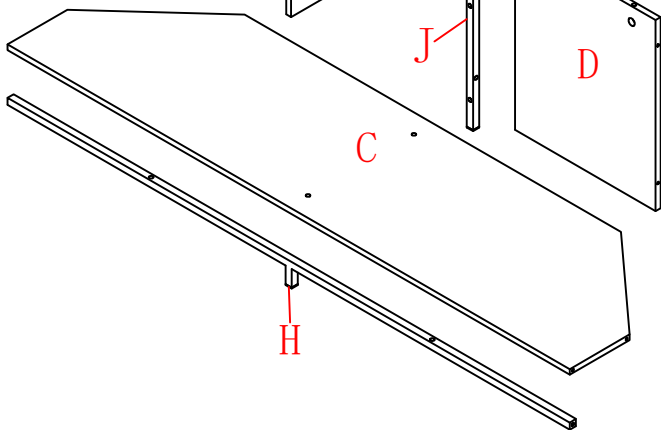
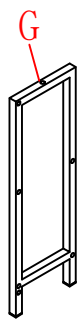
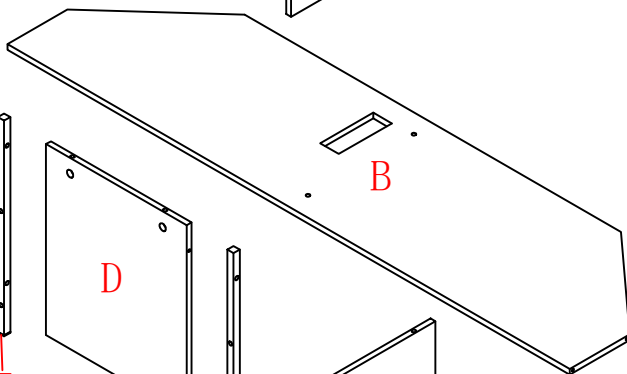
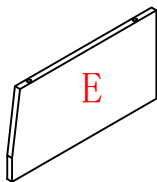
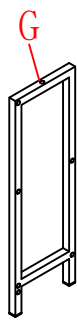
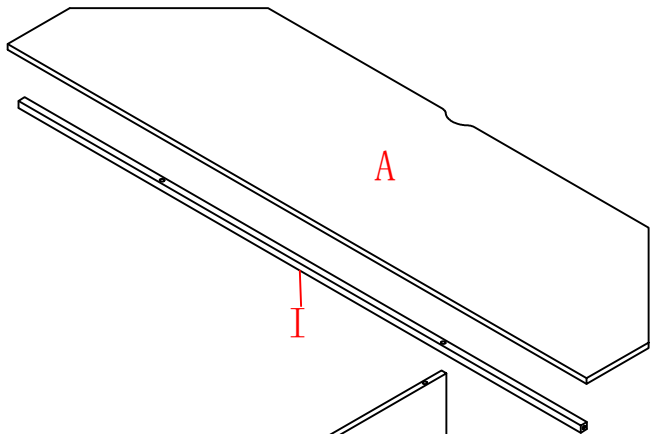
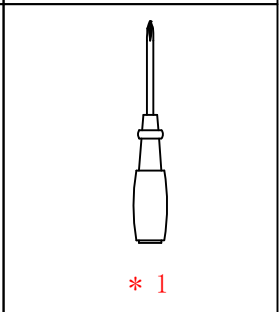
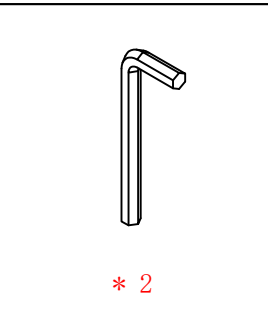
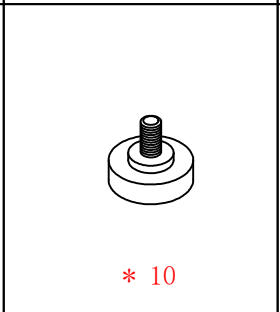
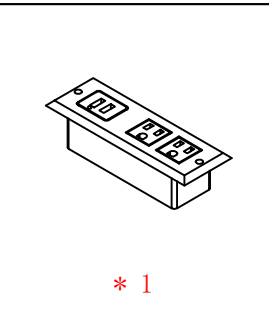
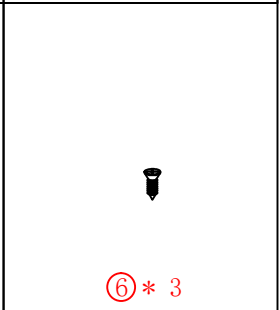
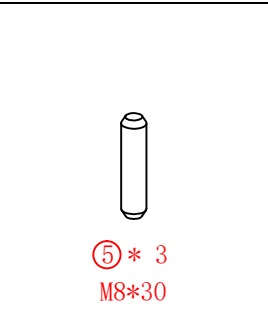
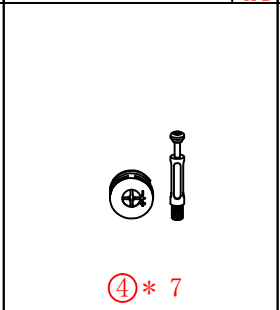
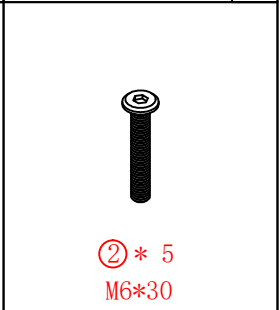
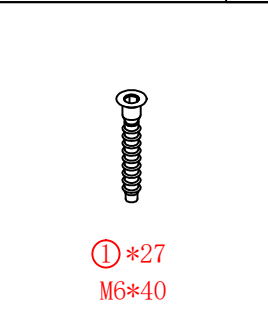
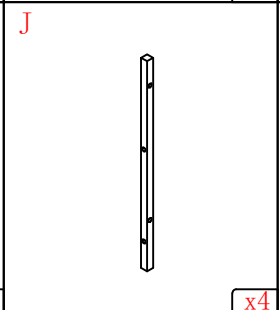
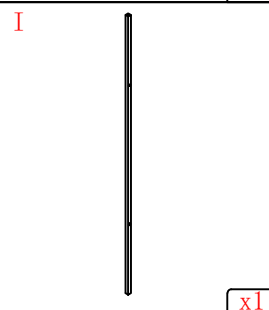
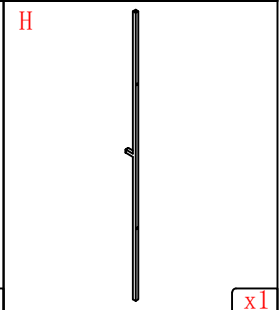
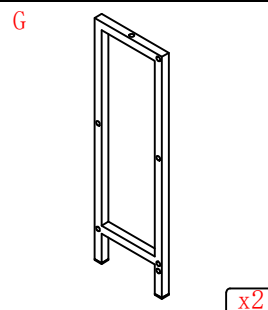
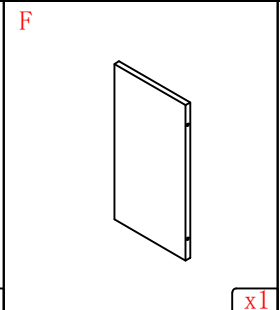
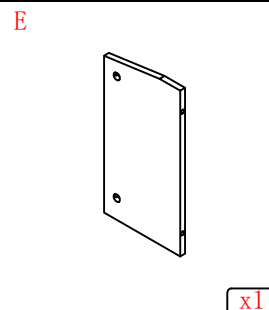
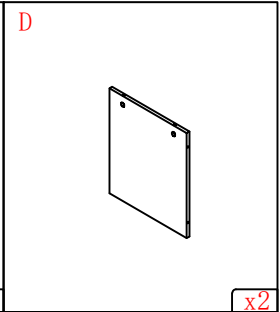
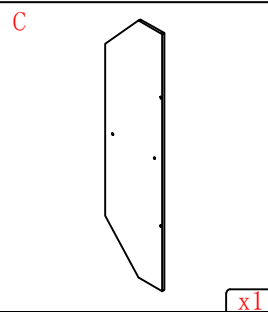
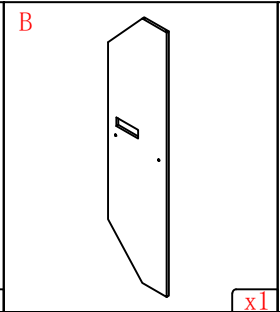
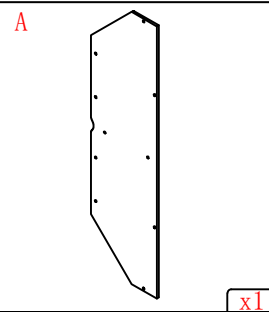


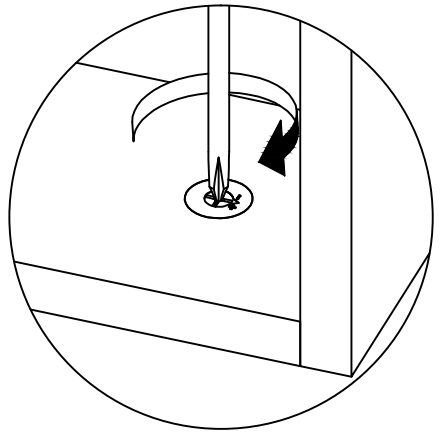
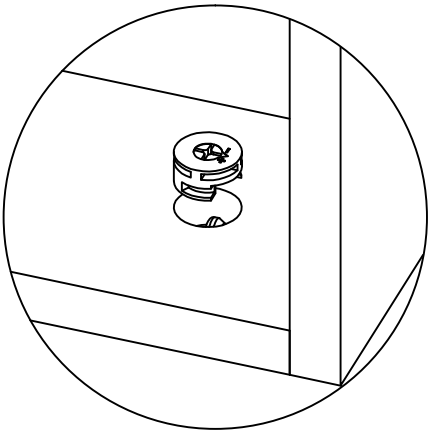
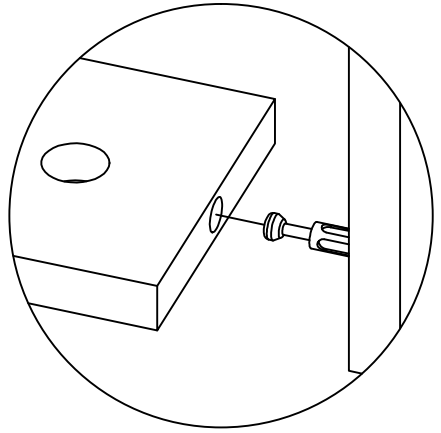
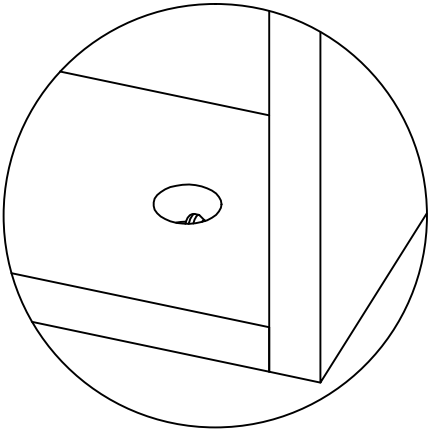
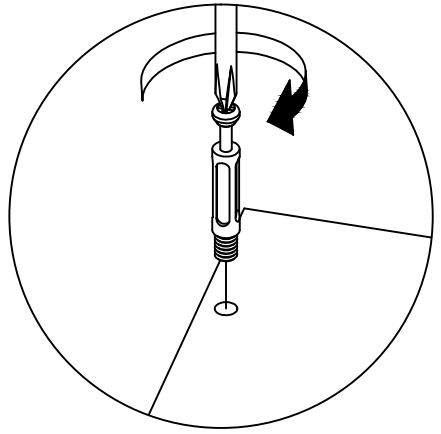
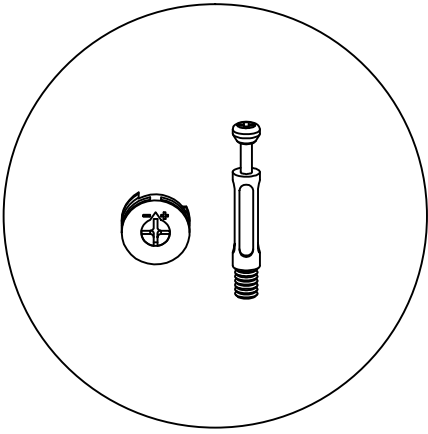
# Assembly Instructions

Attention: Do not tighten the screws until all of them are in right positions  
For safe and easy assembly, we recommend two people to install









Step 1



x4

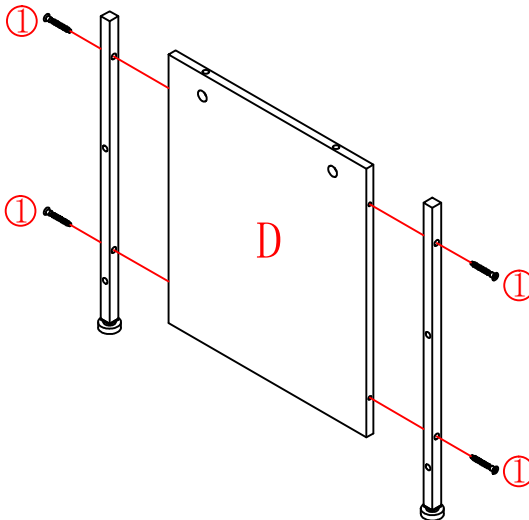


\* 4



J \* 4

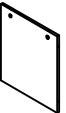
Step 2 : [J] are installed on [D].



x2

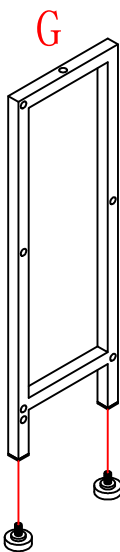


① \* 8

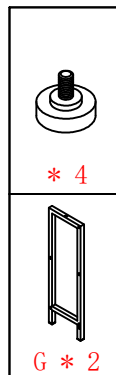


D \* 2

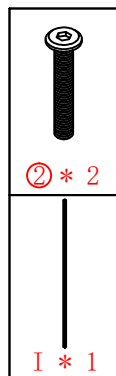
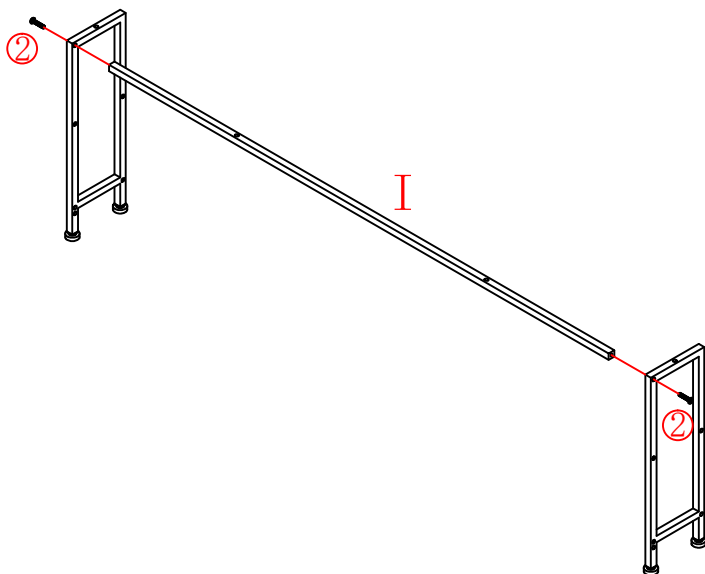
# Step 3



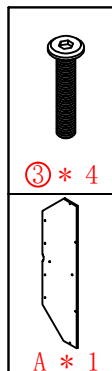
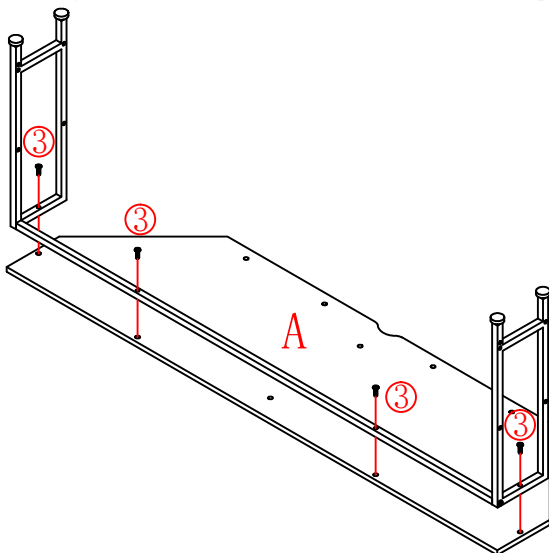
x2



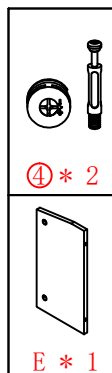
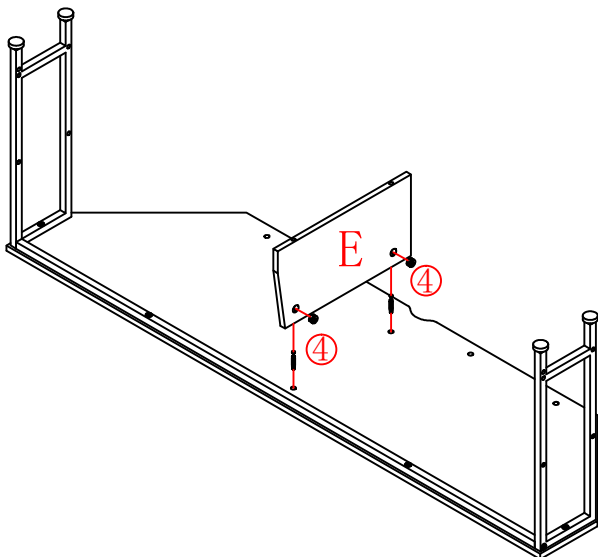
# Step 4 : [I] are installed on [G].



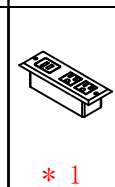
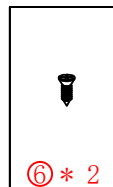
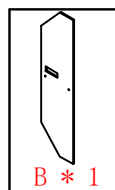
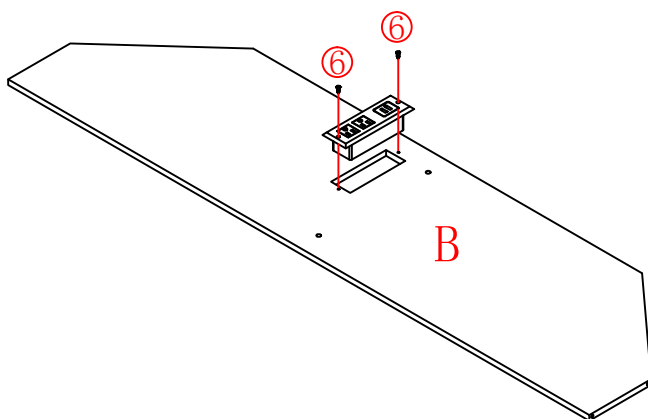
Step 5 : [A] Install on the connecting pipe of the desktop.  
Please make sure to use the correct screws (marked #3) for the  
desktop panel assembly.  
Using the wrong screws may cause the desktop to crack.



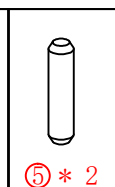
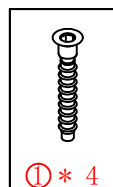
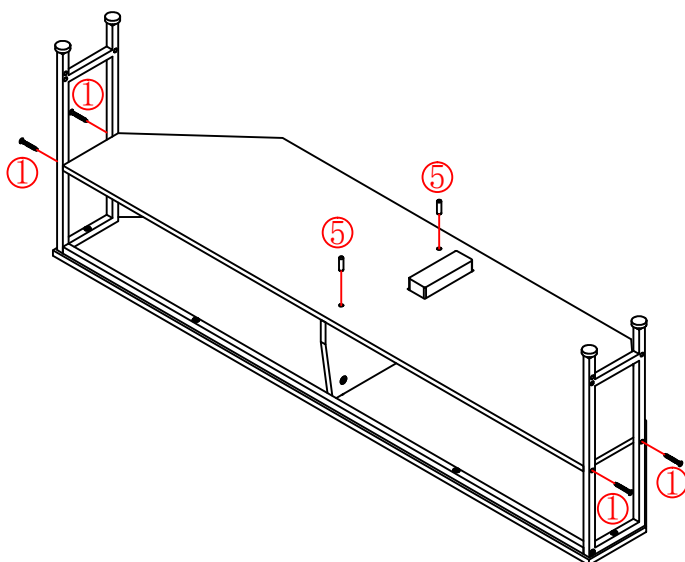
Step 6 : [E] fixed on the desktop.



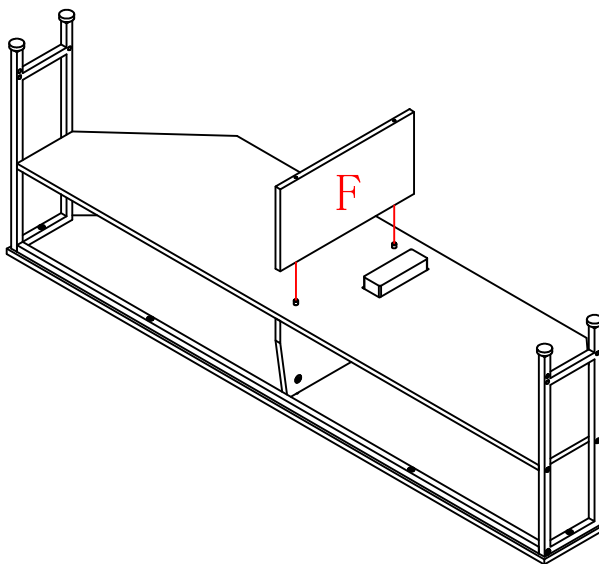
Step 7 : The plug plate is fixed on the [B].



Step 8 : [B] Installed on the table leg.  
Pay attention to the placement of patch panel

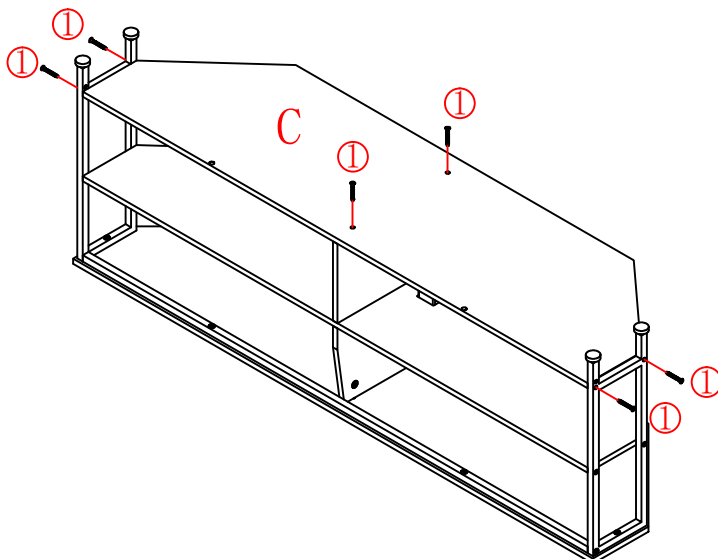


Step 9 : [F] fixed on the [B].



F \* 1

Step 10 : [C] Installed on the table leg.

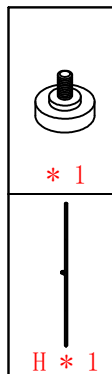
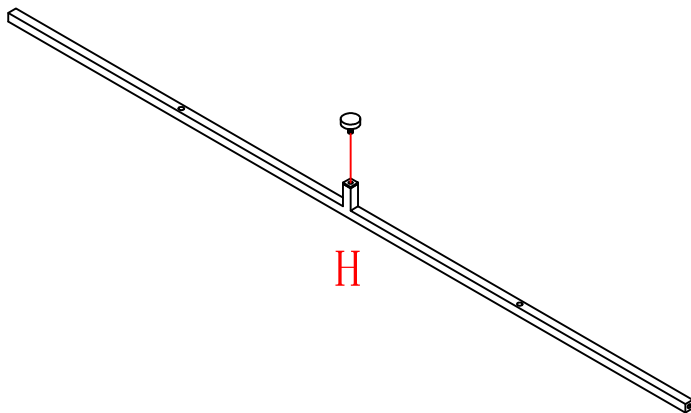


① \* 6

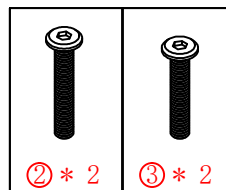
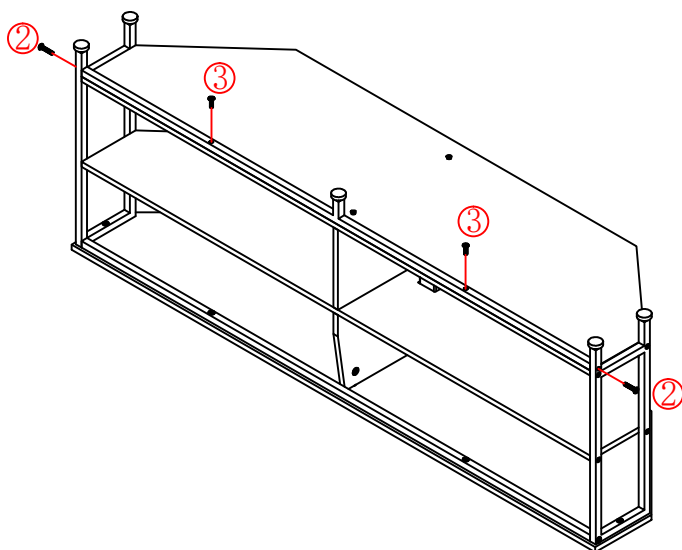


C \* 1

# Step 11

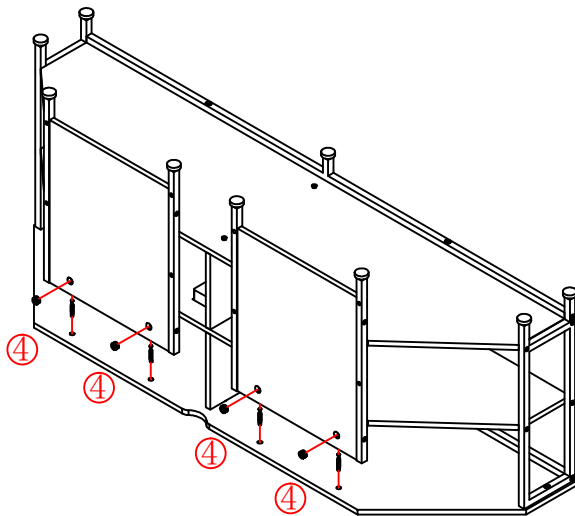


# Step 12 : [H] Installed on table legs and [C].



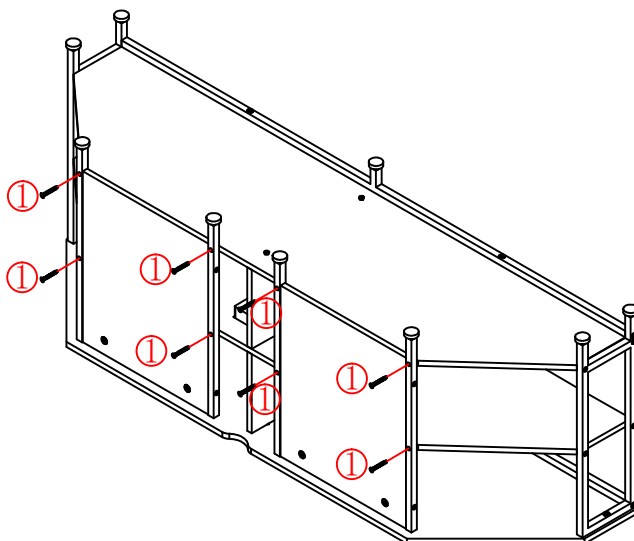
Step 13 : [D] Install on desktop.

Pay attention to the orientation of the face on [D].



④ \* 4

Step 14 : Reinforce with (#1)



① \* 8