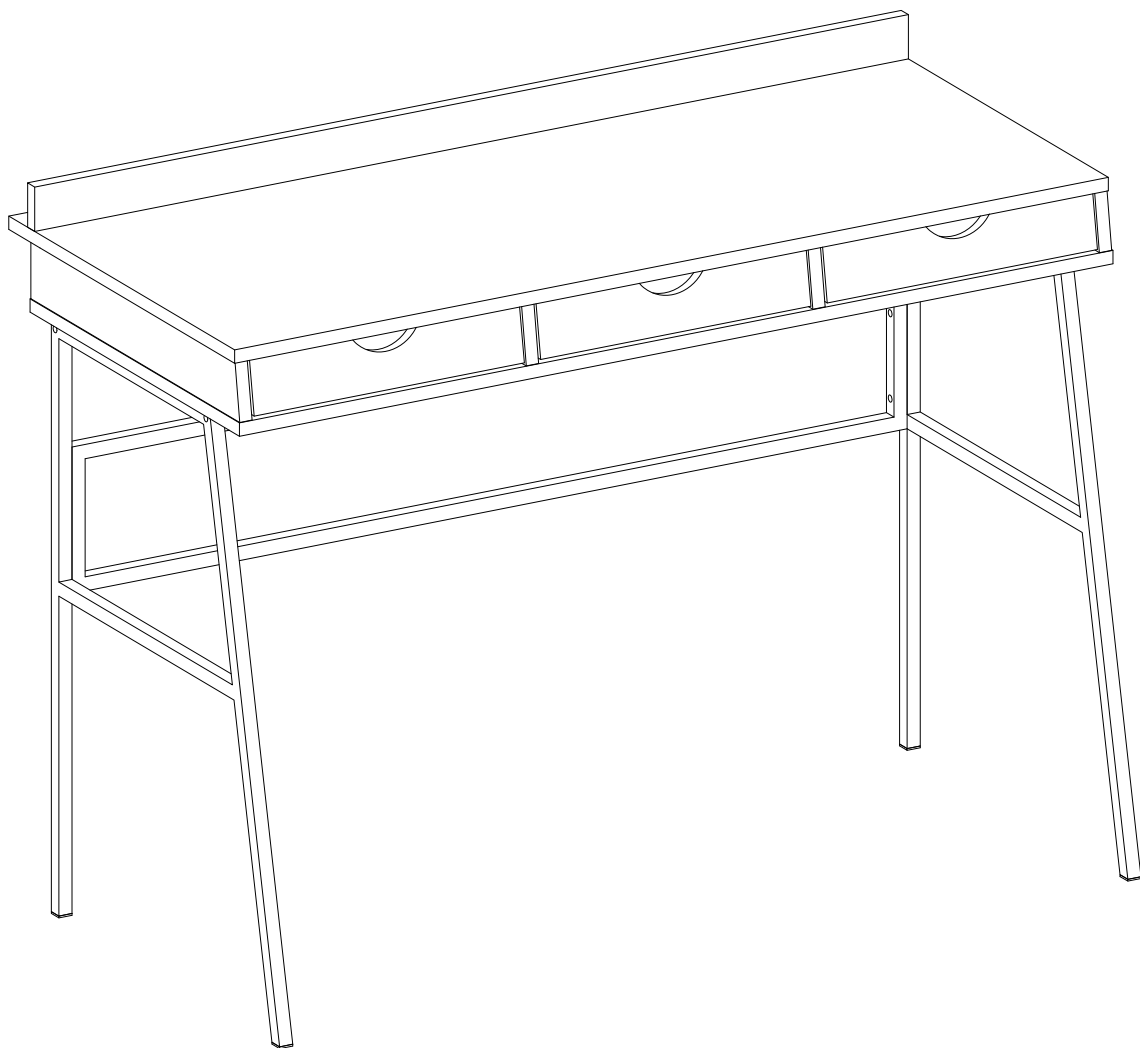
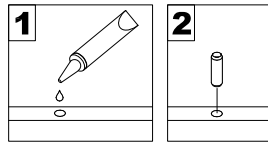


# Assembly Instructions

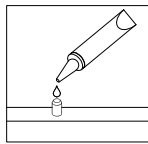


# General Assembly Guidelines

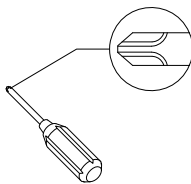
- I. Ensure that all parts and hardware are available before beginning assembly.
- II. Follow each step carefully to ensure the proper assembly of this product.
- III. Two people are recommended for ease in the assembly of this product.
- IV. The three main types of hardware used to assemble this product are: wood dowels, screws and bolts.
- V. The provided glue is to secure wood dowels in place. When first inserting dowels, locate the appropriate hole for the dowel, place a small amount of glue in the hole and insert the dowel. Wipe away excess glue immediately.



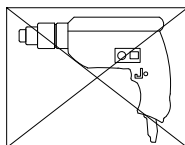
In future assembly steps when dowels are necessary to attach assembly parts together, place a small amount of glue on the end of the dowel before attaching parts together. Wipe away excess glue immediately.



- VI. A Phillips head screwdriver is required for the assembly of this product .

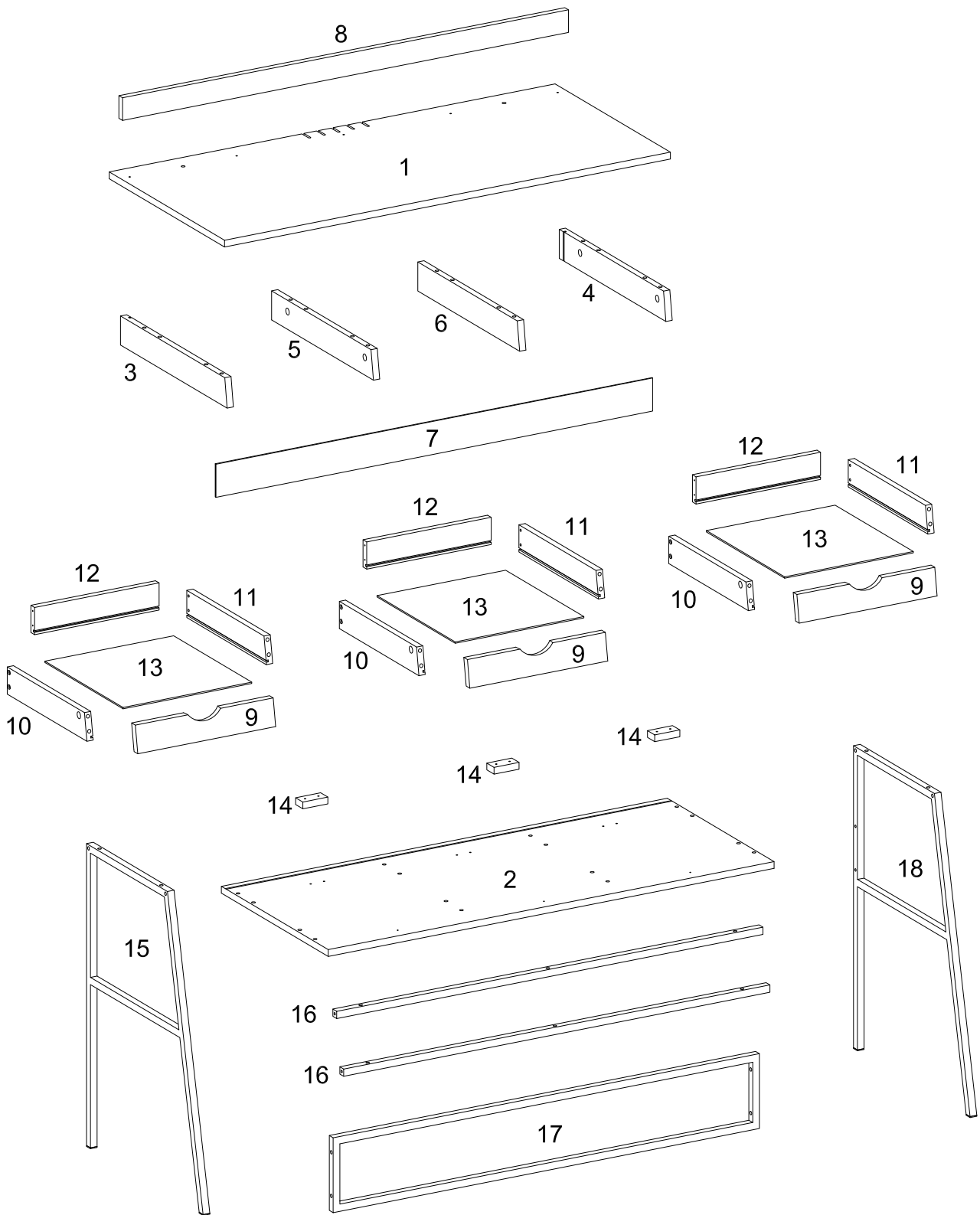


- VII. Power tools should not be used to assemble this product.



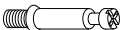
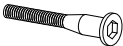



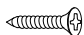
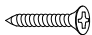

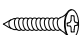
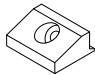




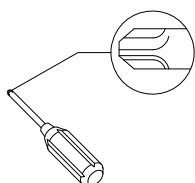
- VIII. Drill may be needed for securing product to wall.

# Parts List



# Hardware List

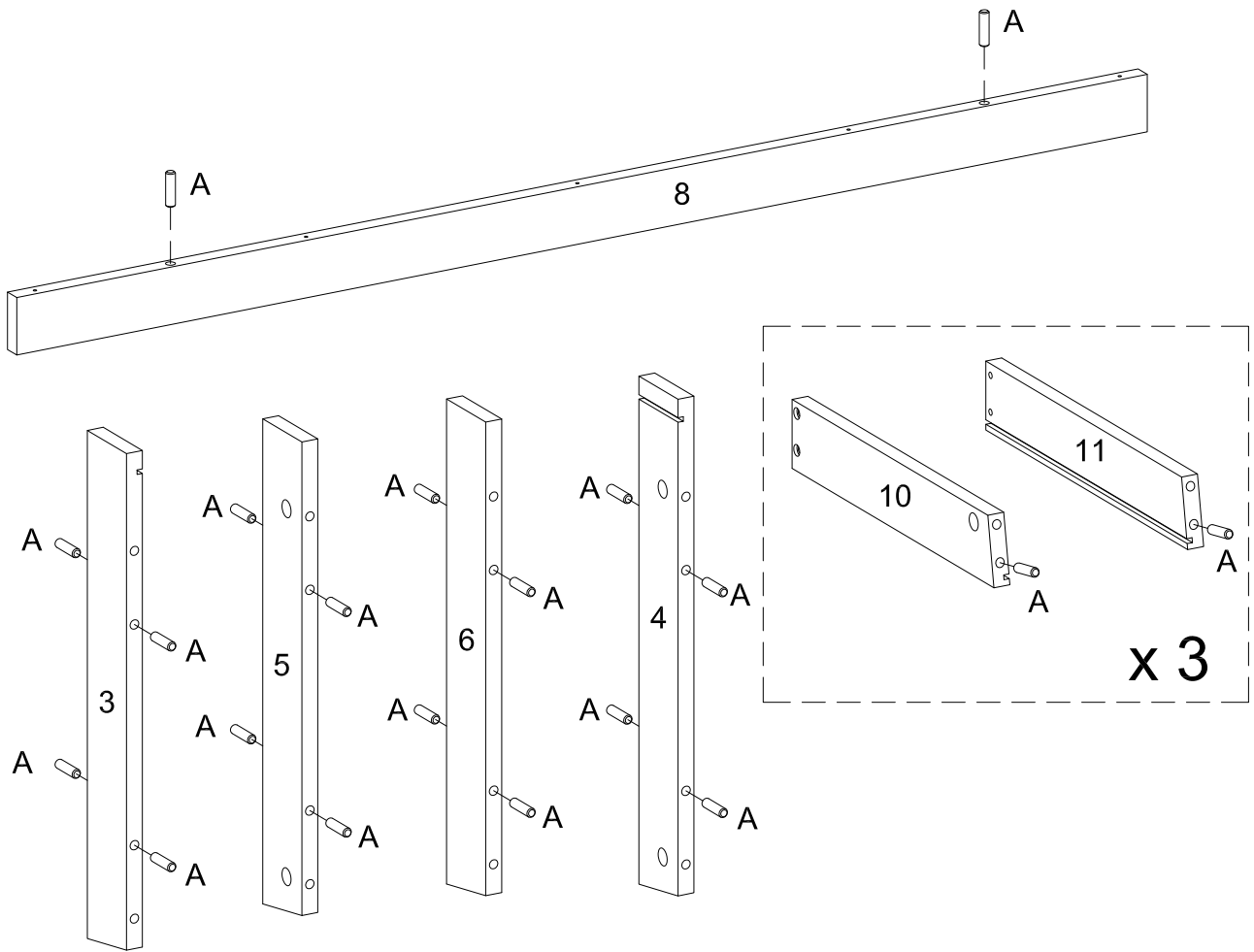
A		Ø8x30mm	Wooden dowel	24 pcs
B		Ø15x11mm	Cam lock	14 pcs
C		Ø6x35mm	Cam bolt	14 pcs
D		Ø6x50mm	Screw	8 pcs
E		M 4	Hex Key	1 pc
F		Ø6x25mm	Bolt	18 pcs
G		Ø30mm	Sticker	14 pcs
H		Ø4x25mm	Screw	6 pcs
J		Ø4x32mm	Screw	17 pcs
K			Plastic wedge	3 pcs
L		Ø3.5x14mm	Screw	3 pcs
M			Plastic wedge	4 pcs
N		Ø3x17mm	Screw	4 pcs
P			Glue tube	1 pc



Philips head screwdriver required for assembly  
(not included)

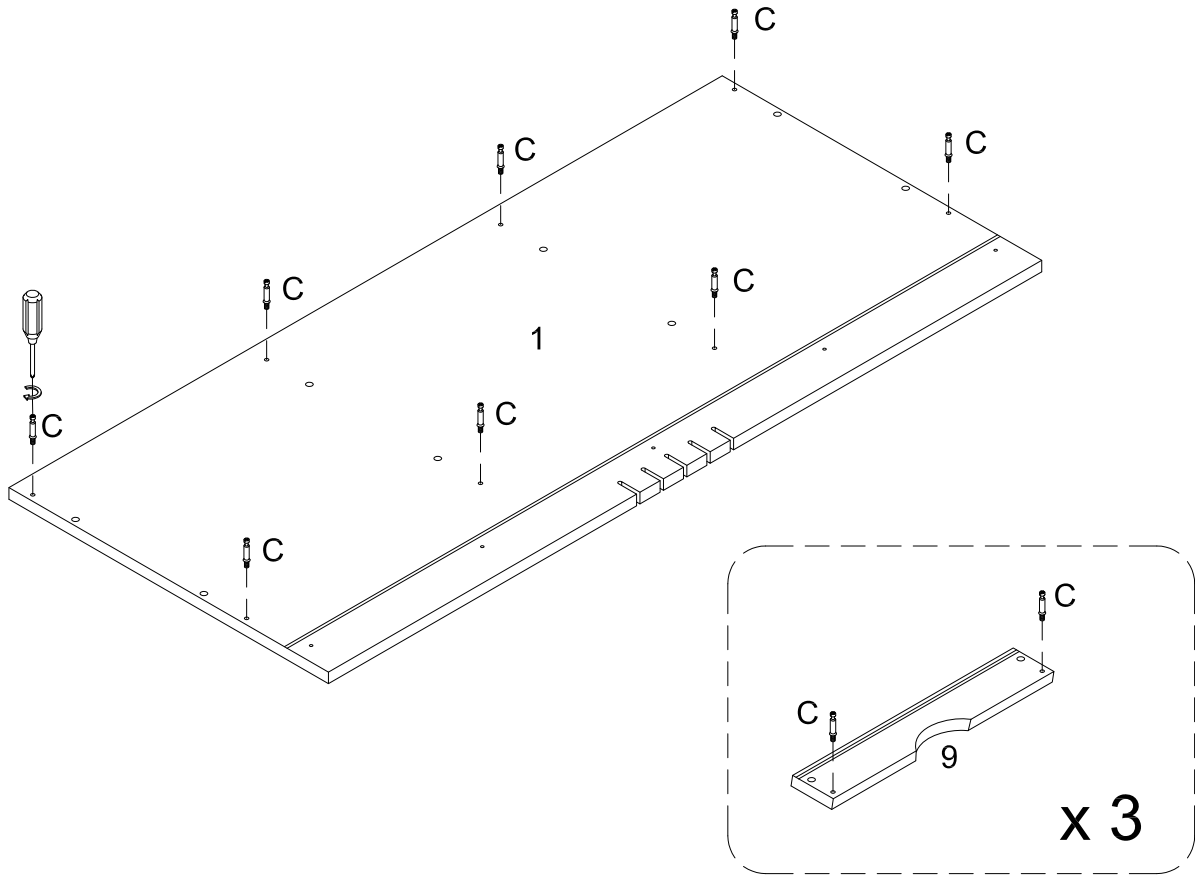
*The hardware quantities listed above are required for proper assembly.  
Some extra hardware may also have been included.*

# Step 1



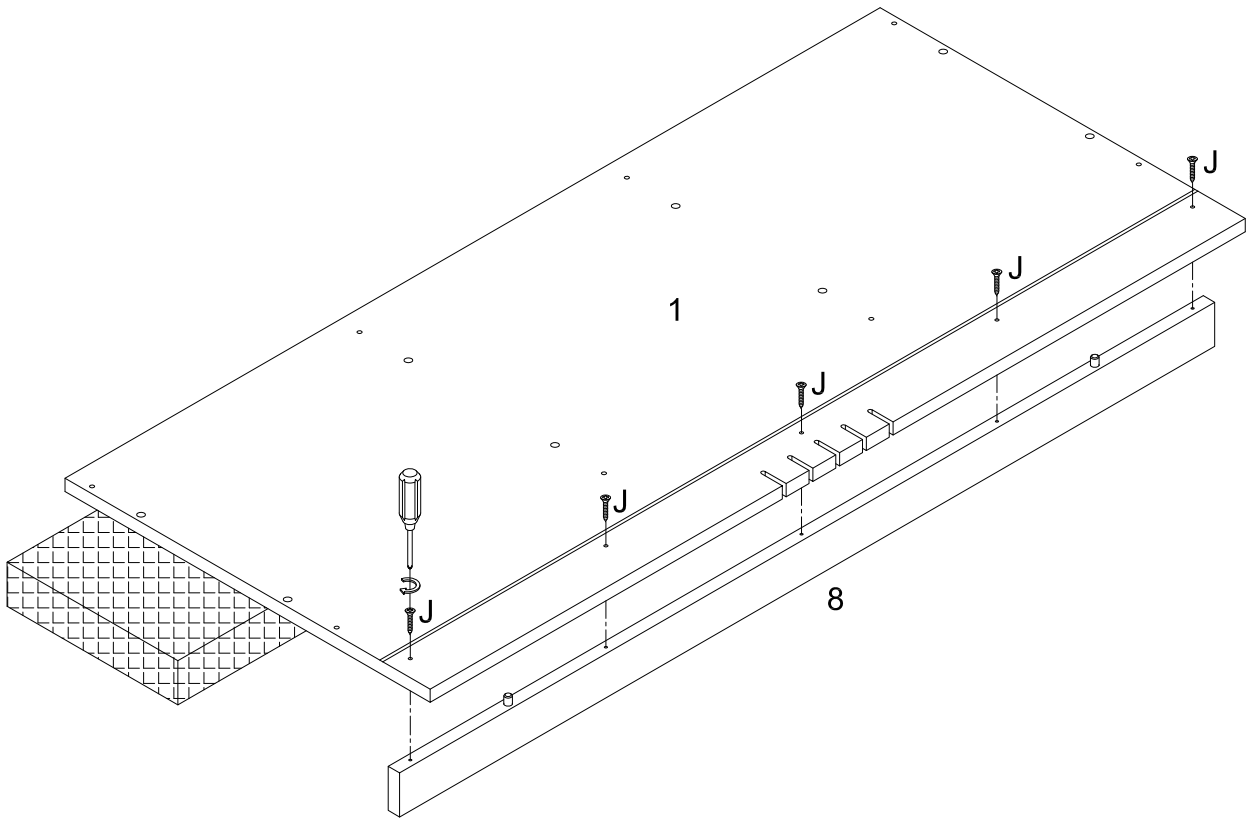
Insert wooden dowel (A) into parts (3,4,5,6,8,10,11) as per diagram.

# Step 2



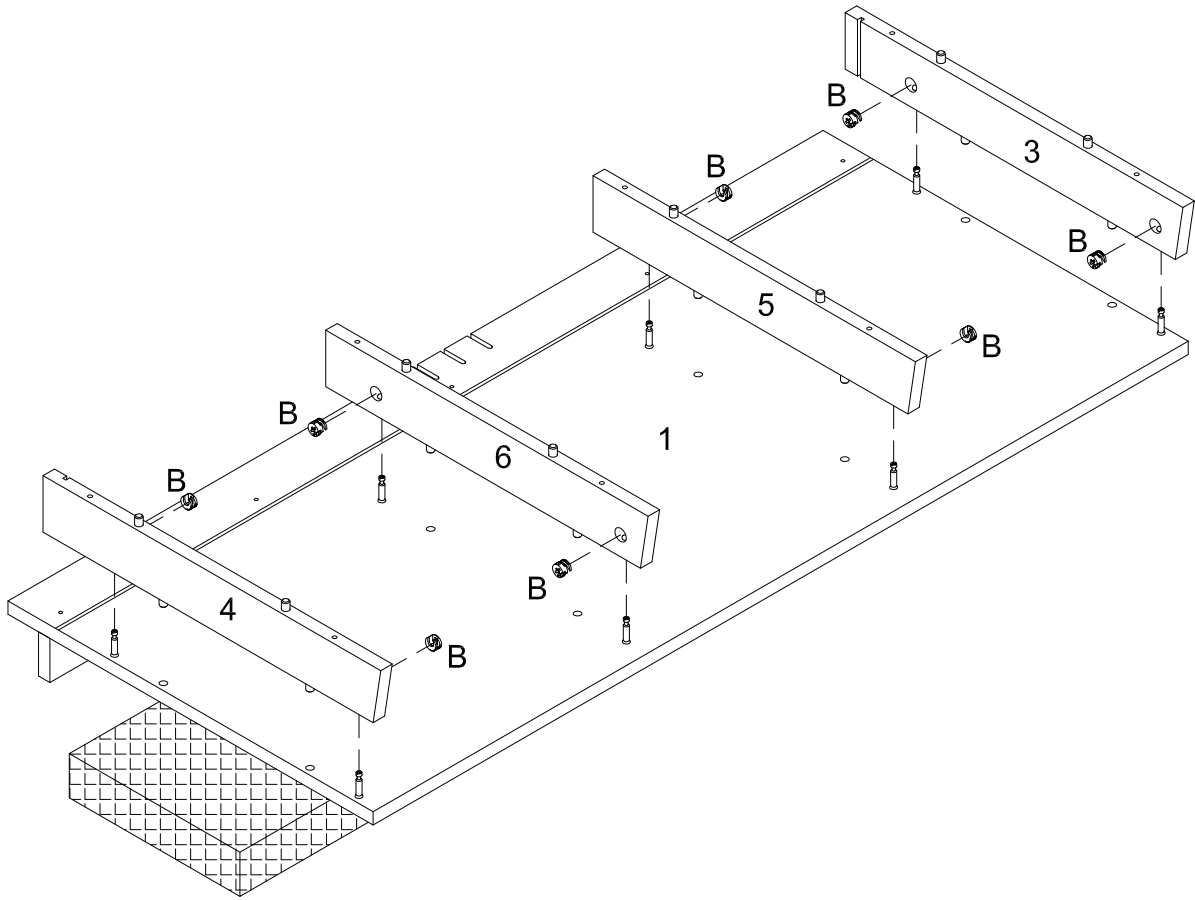
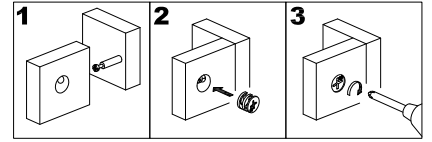
Secure cam bolt (C) into parts (1,9) with Philips head screwdriver as per diagram.

# Step 3



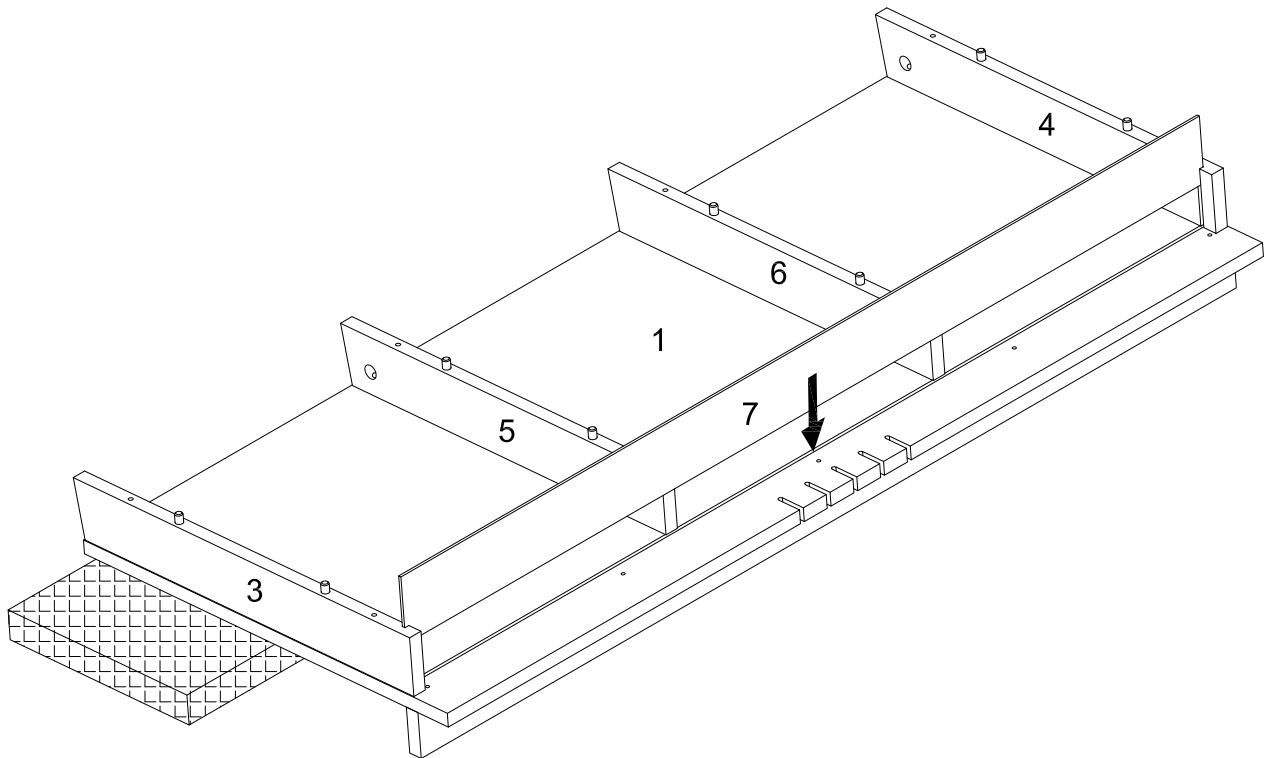
Using screw (J) attach part (1) to part (8) with Philips head screwdriver as per diagram.

# Step 4



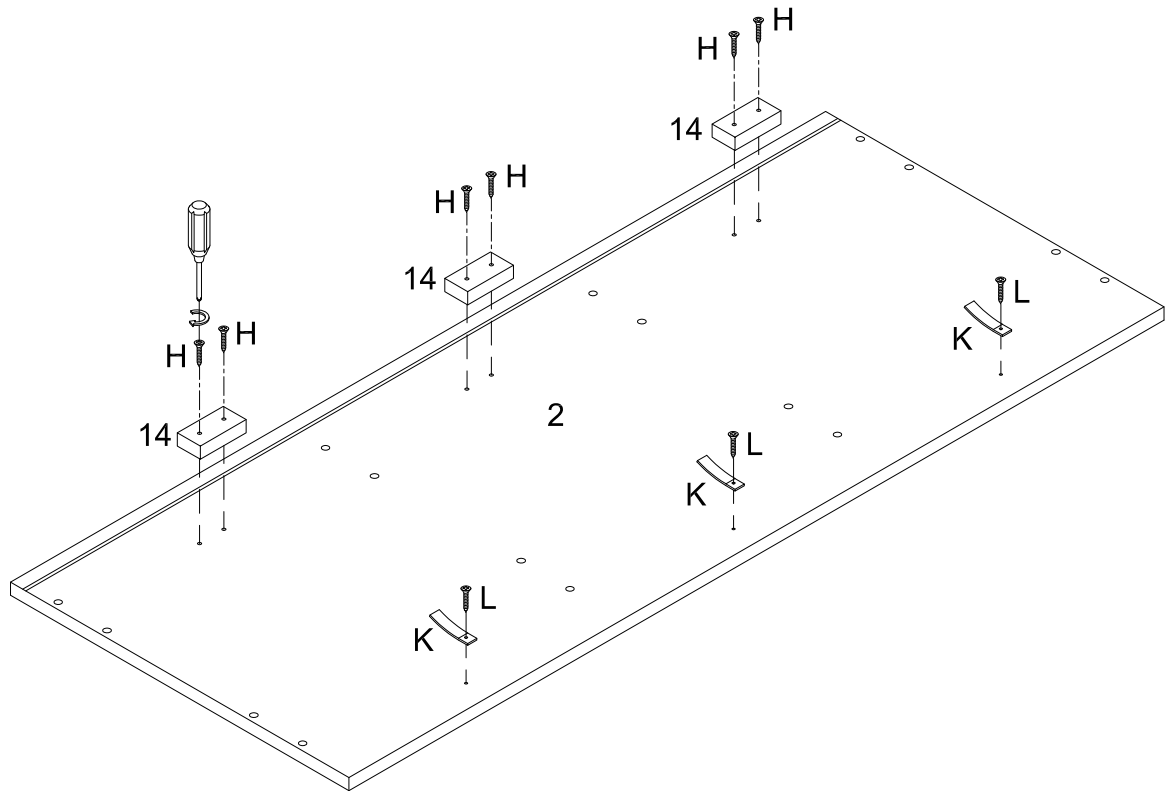
Using cam lock(B) secure parts (3,4,5,6) to part (1) with Philips head screwdriver as per diagram.

# Step 5



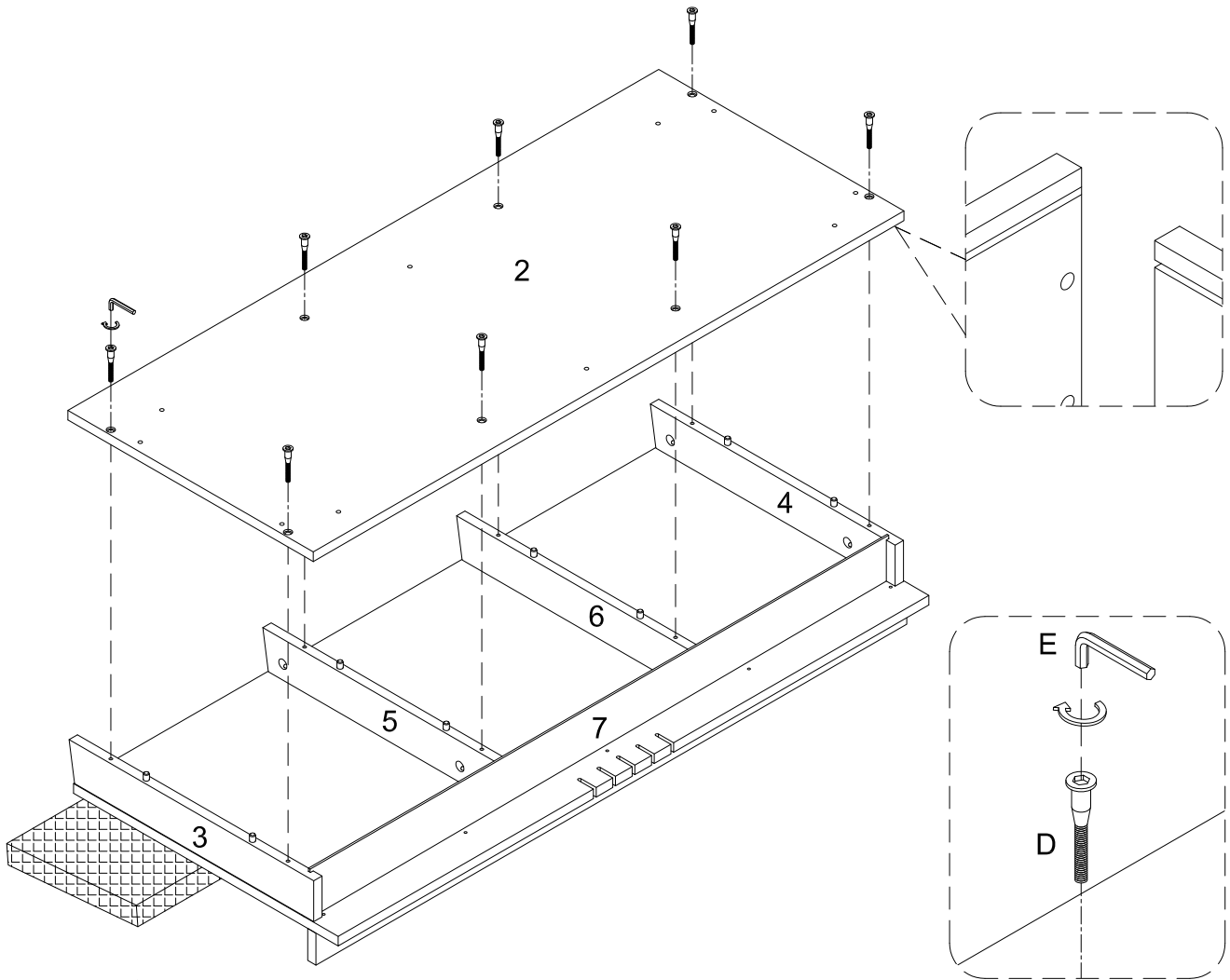
Put part (7) as per diagram.

# Step 6



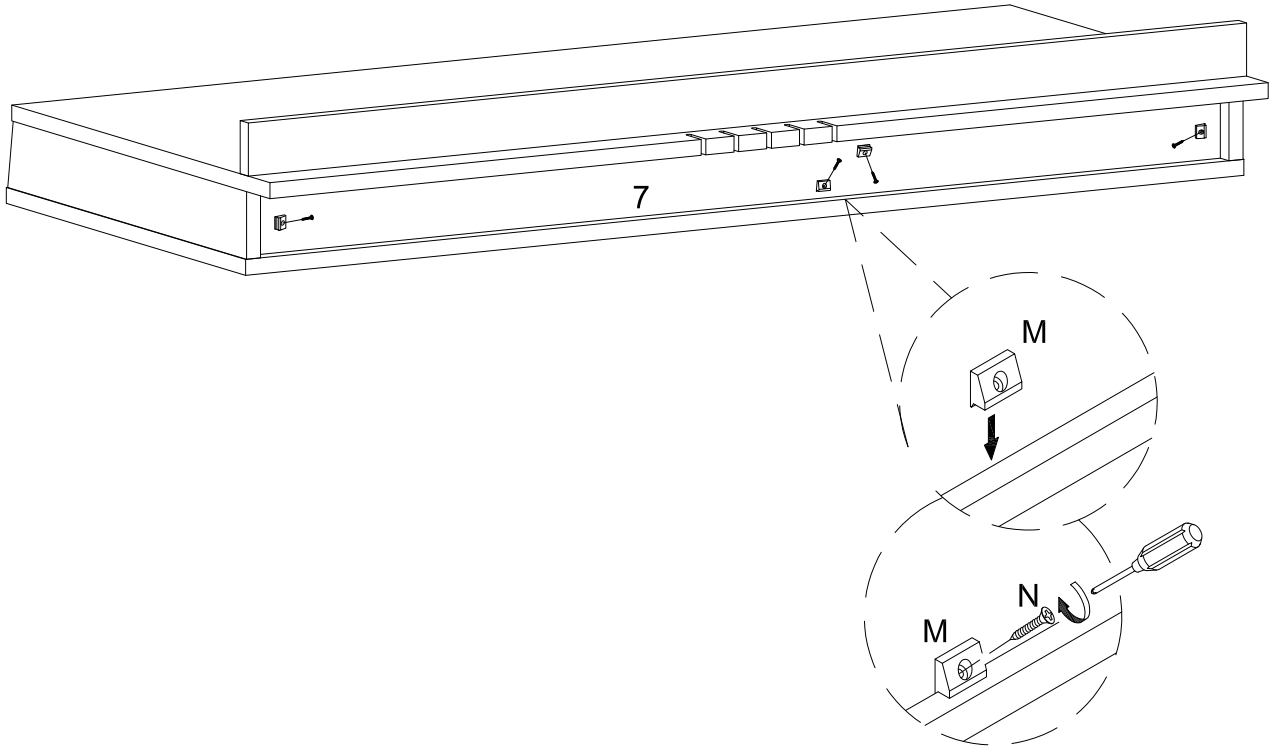
Using screw (H) attach part (14) , screw (L) attach plastic wedge (K) to part (2) with Philips head screwdriver as per diagram.

# Step 7



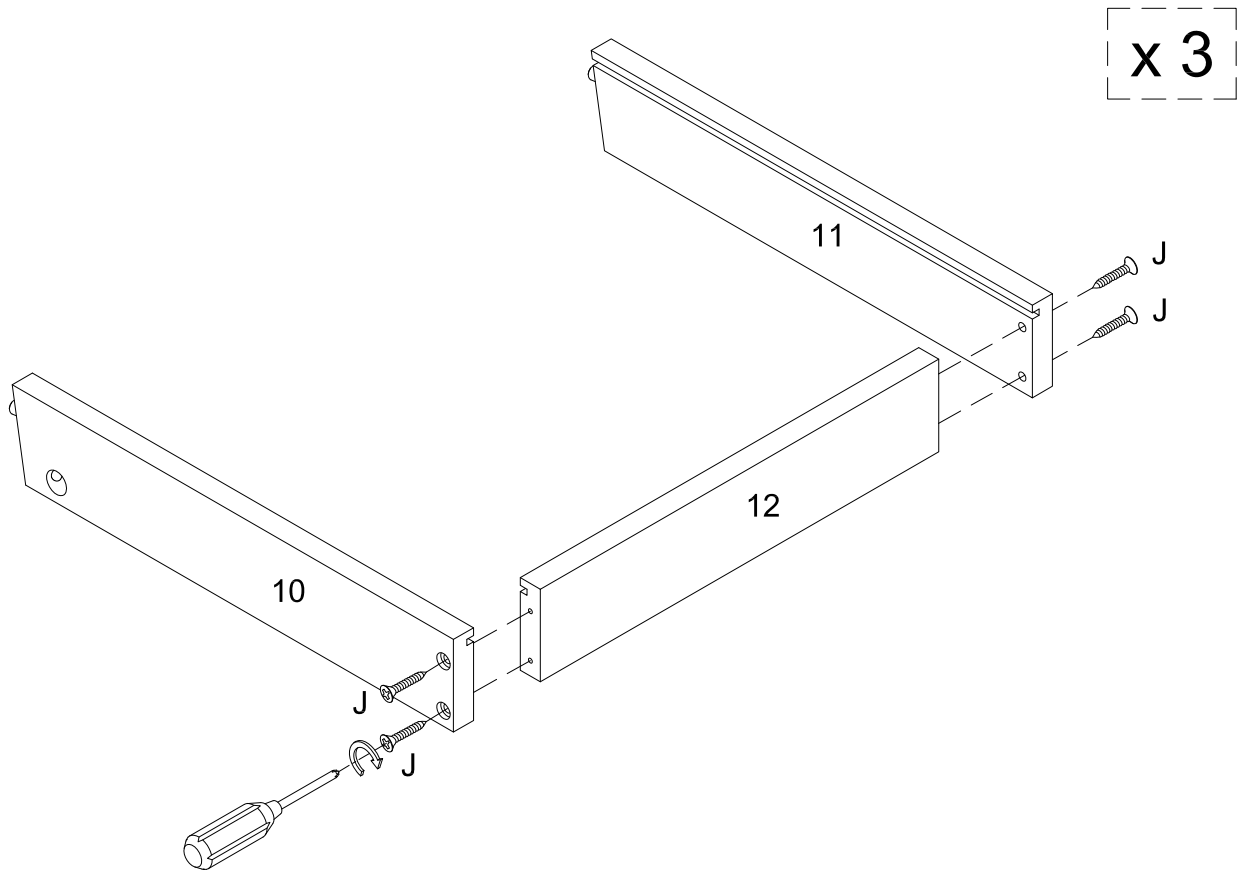
Using screw (D) attach part (2) into parts (3,4,5,6) with hex key (E) as per diagram.

# Step 8



Using screw (N) secure plastic wedge (M) to part (7) with Philips head screwdriver as per diagram.

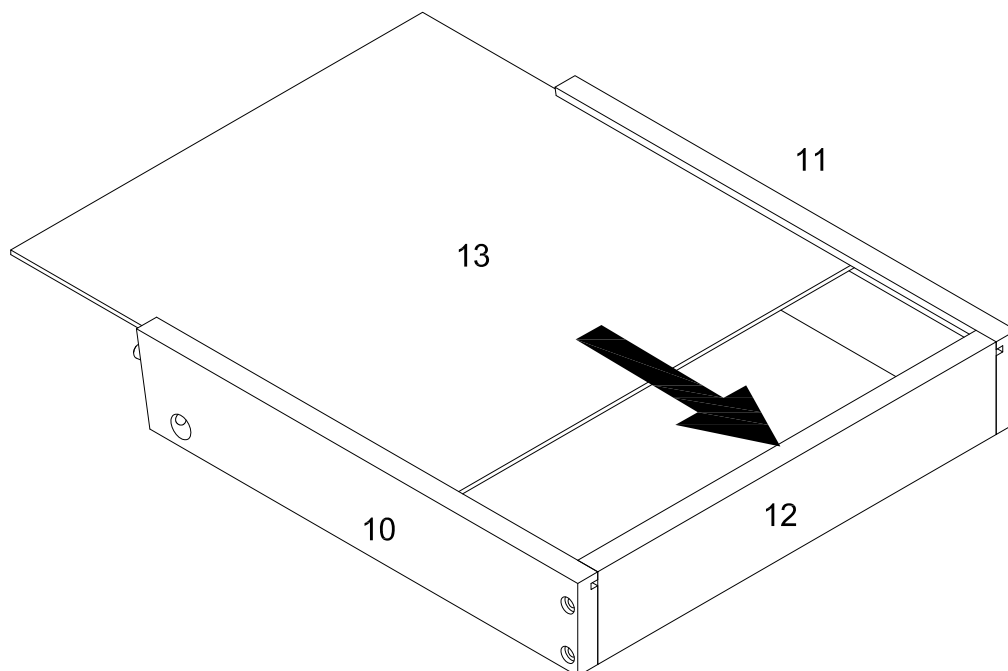
# Step 9



Using screw (J) attach parts (10,11) to part (12) with Philips head screwdriver as per diagram.

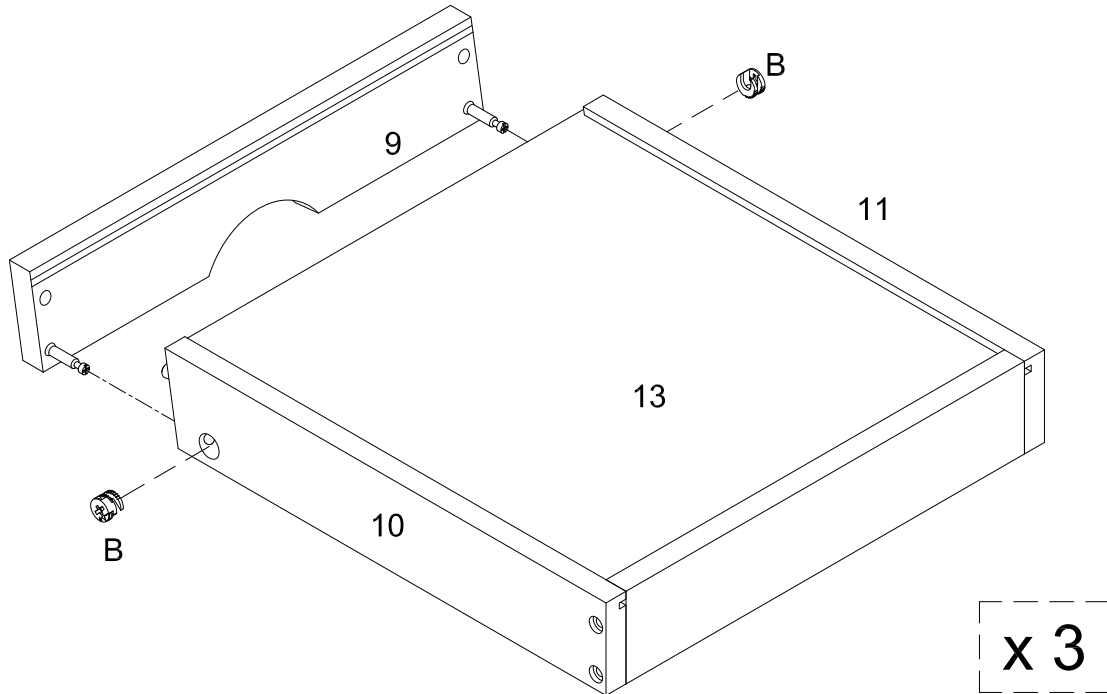
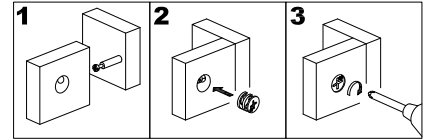
# Step 10

x 3



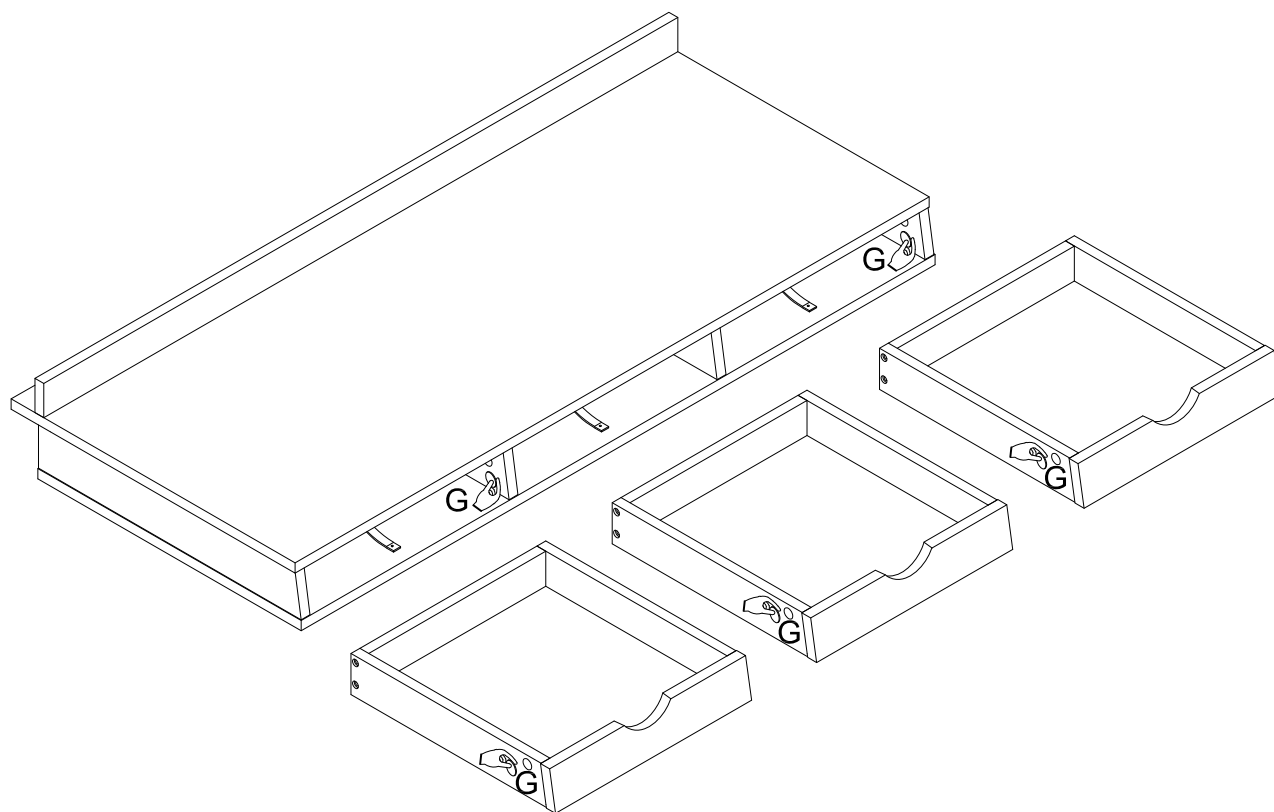
Put part (13) as per diagram.

# Step 11



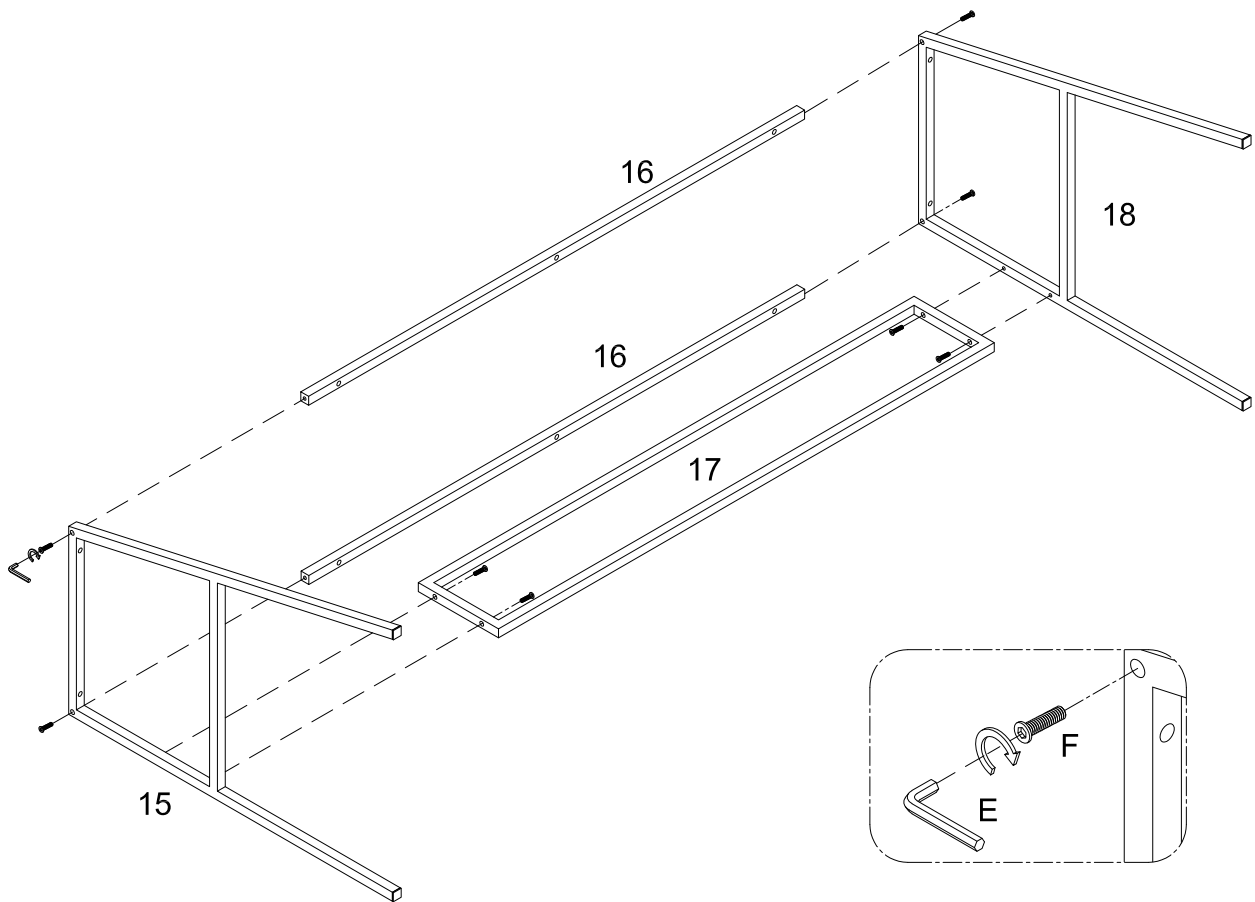
Using cam lock(B) secure part (9) to parts (10,11,13) with Philips head screwdriver as per diagram.

# Step 12



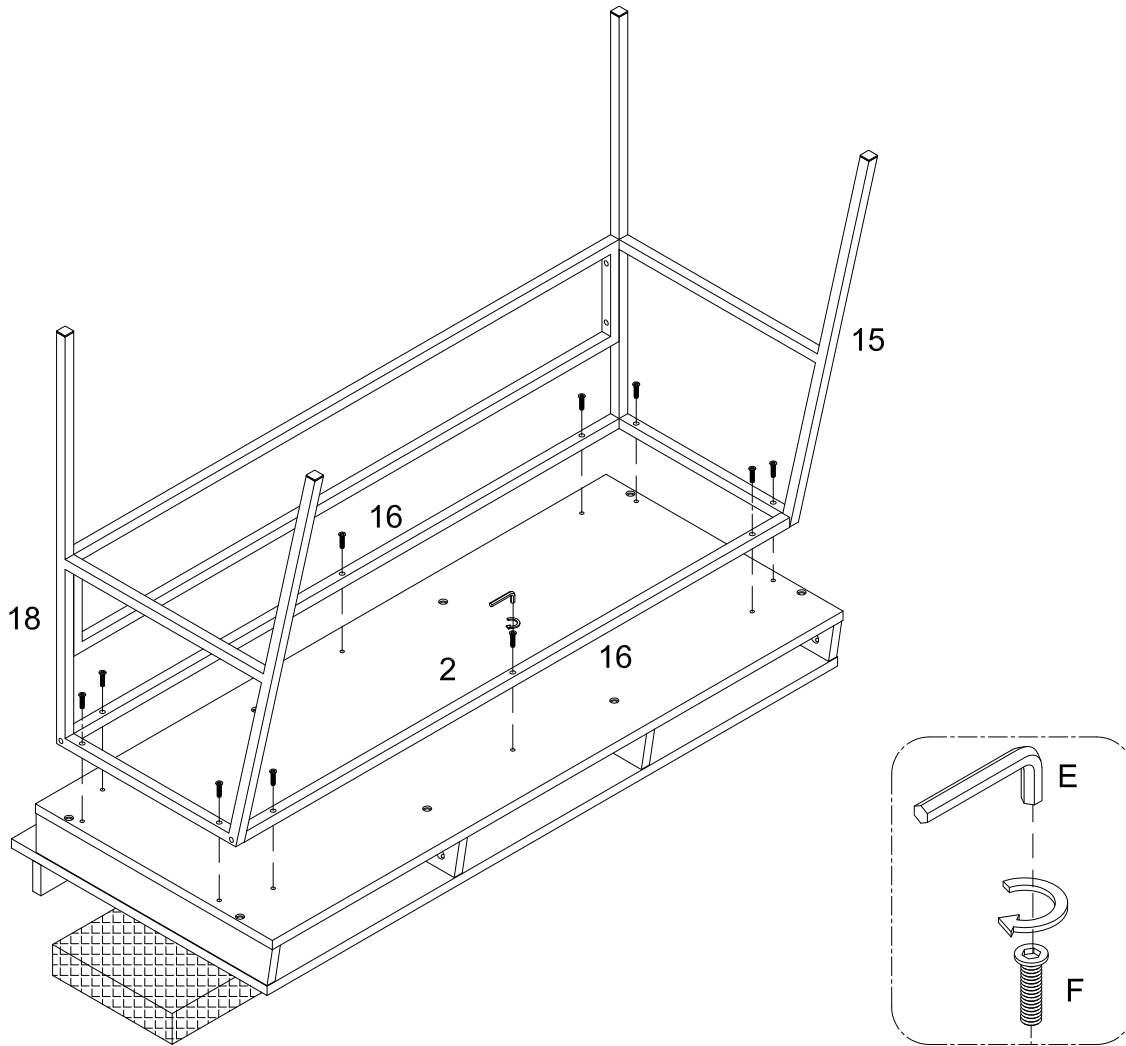
Place sticker (G) cover the holes as per diagram .

# Step 13



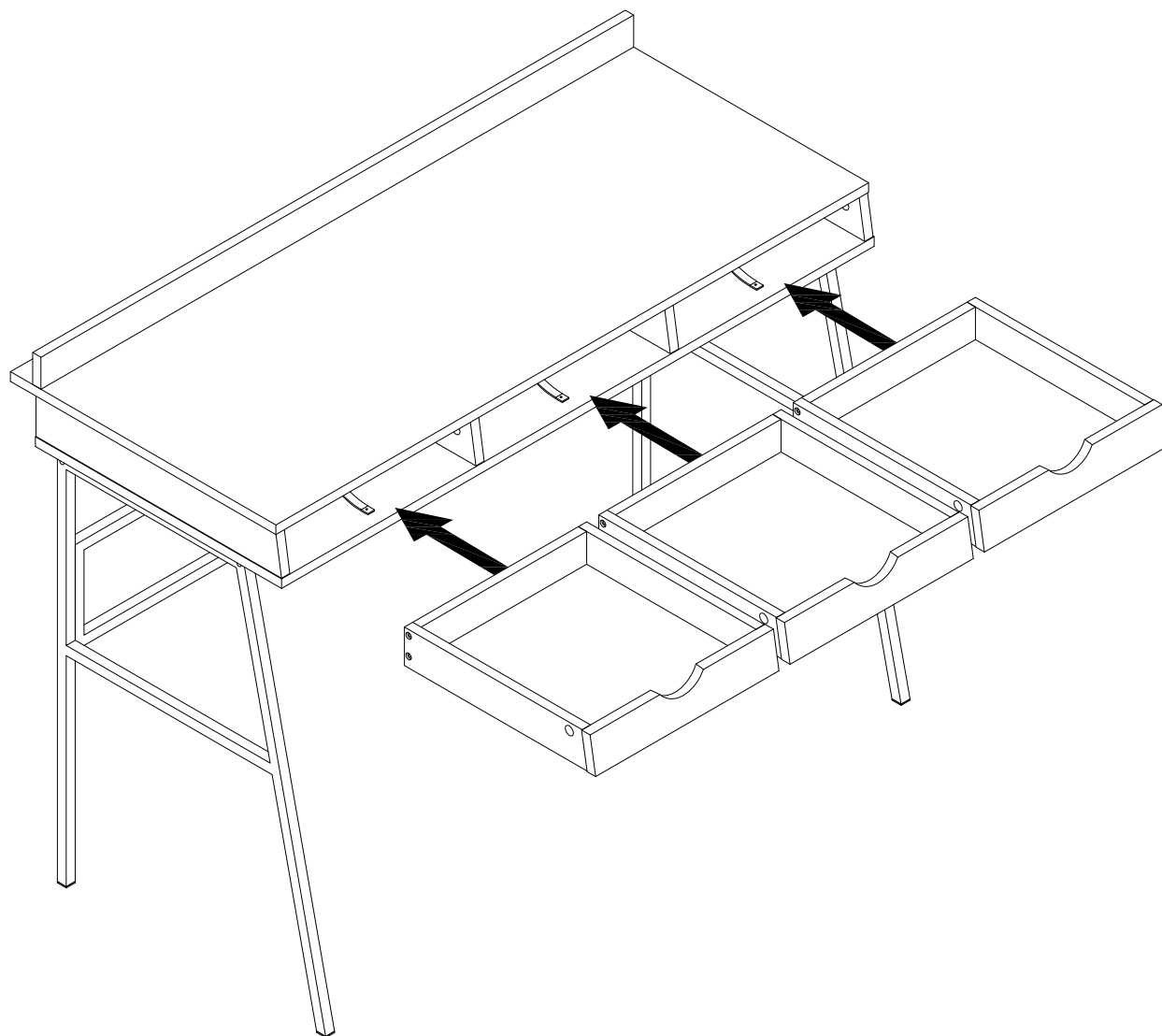
Using bolt (F) attach parts (15,18) to parts (16,17) with hex key (E) as per diagram.  
Note : Do not fully tighten all the bolts .

# Step 14



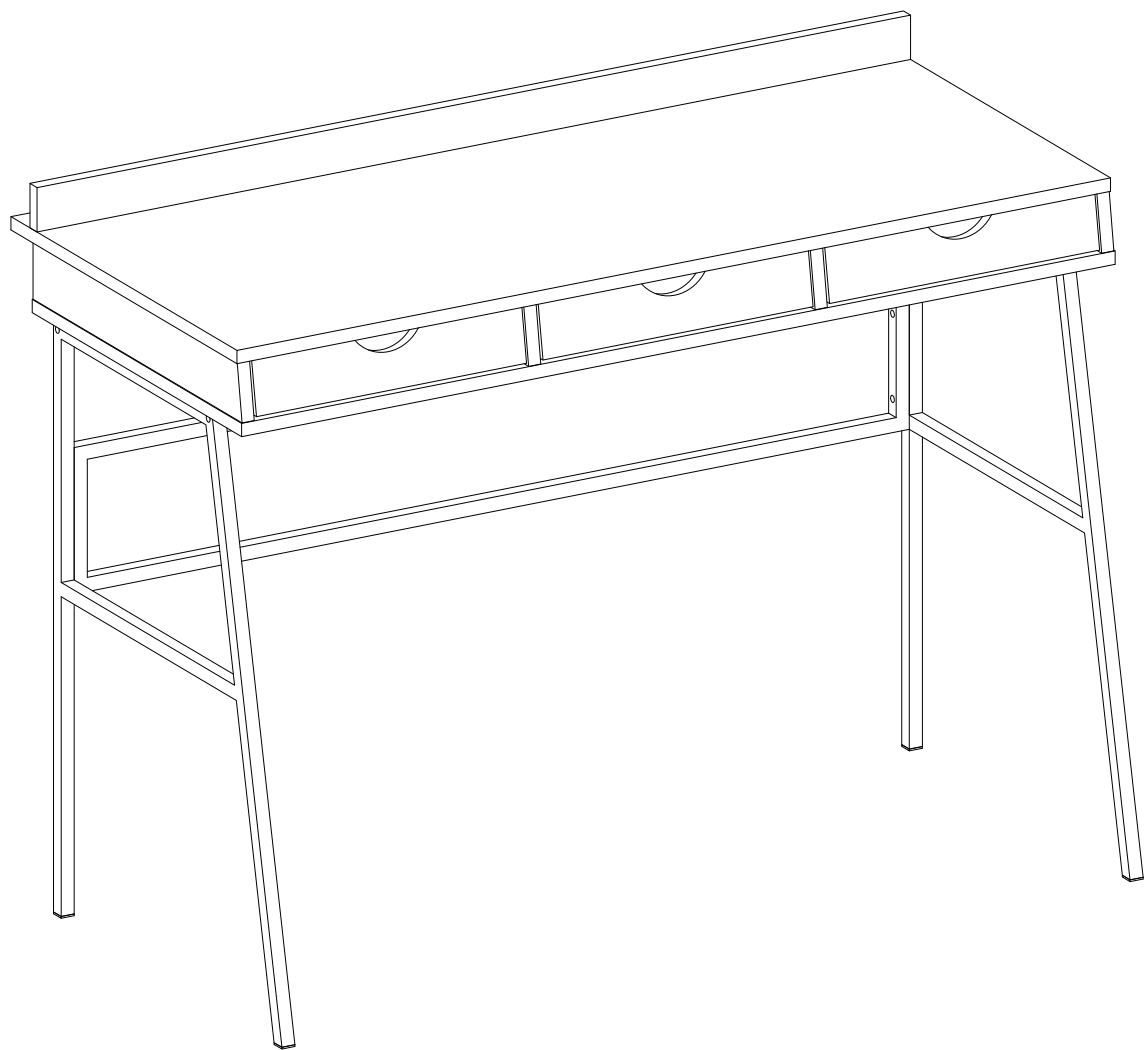
Using bolt (F) attach parts (15,16,18) to part(2) with hex key (E) as per diagram.  
Note : Fully tighten all the bolts.

# Step 15



Insert the assembled drawers into the unit frame.

# Step 16



Final Assembly