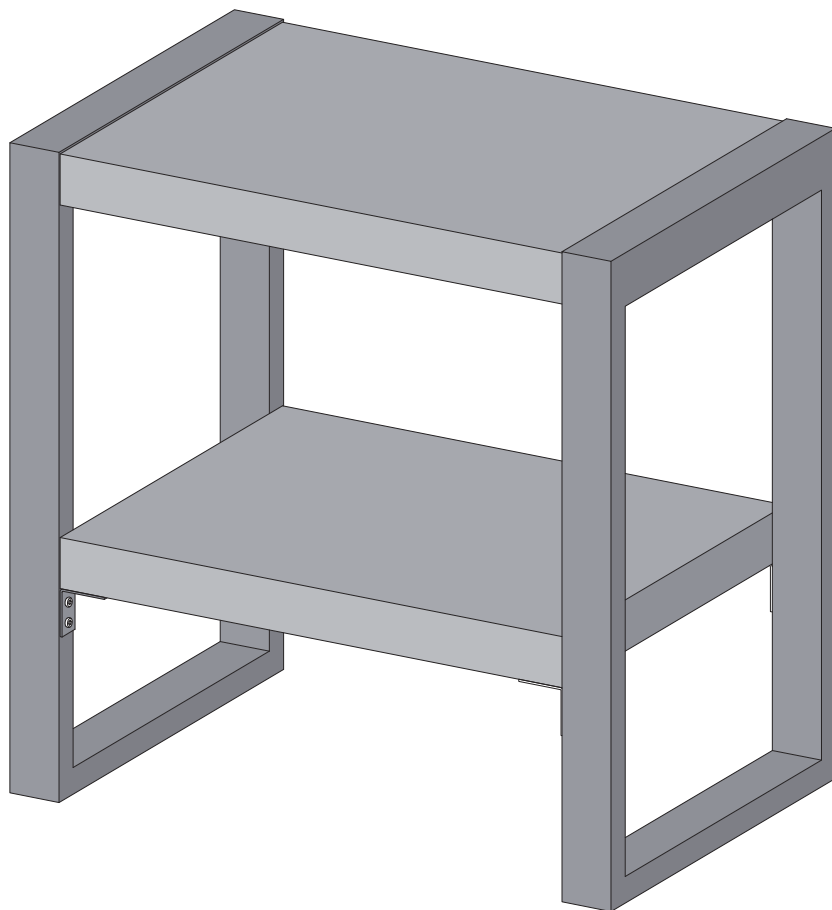
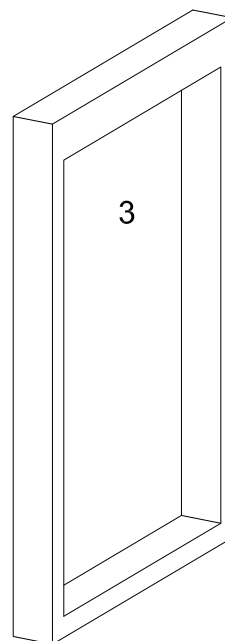
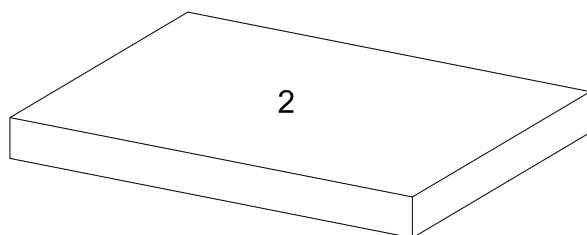
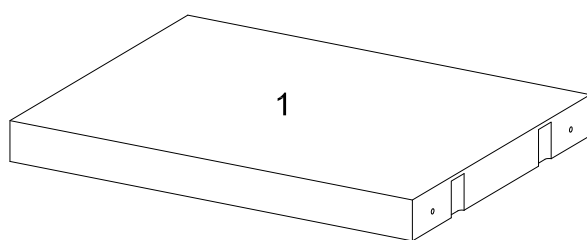
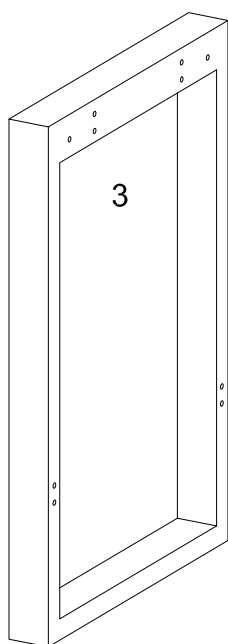


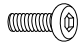
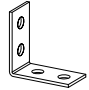



Assembly Instructions



Parts List

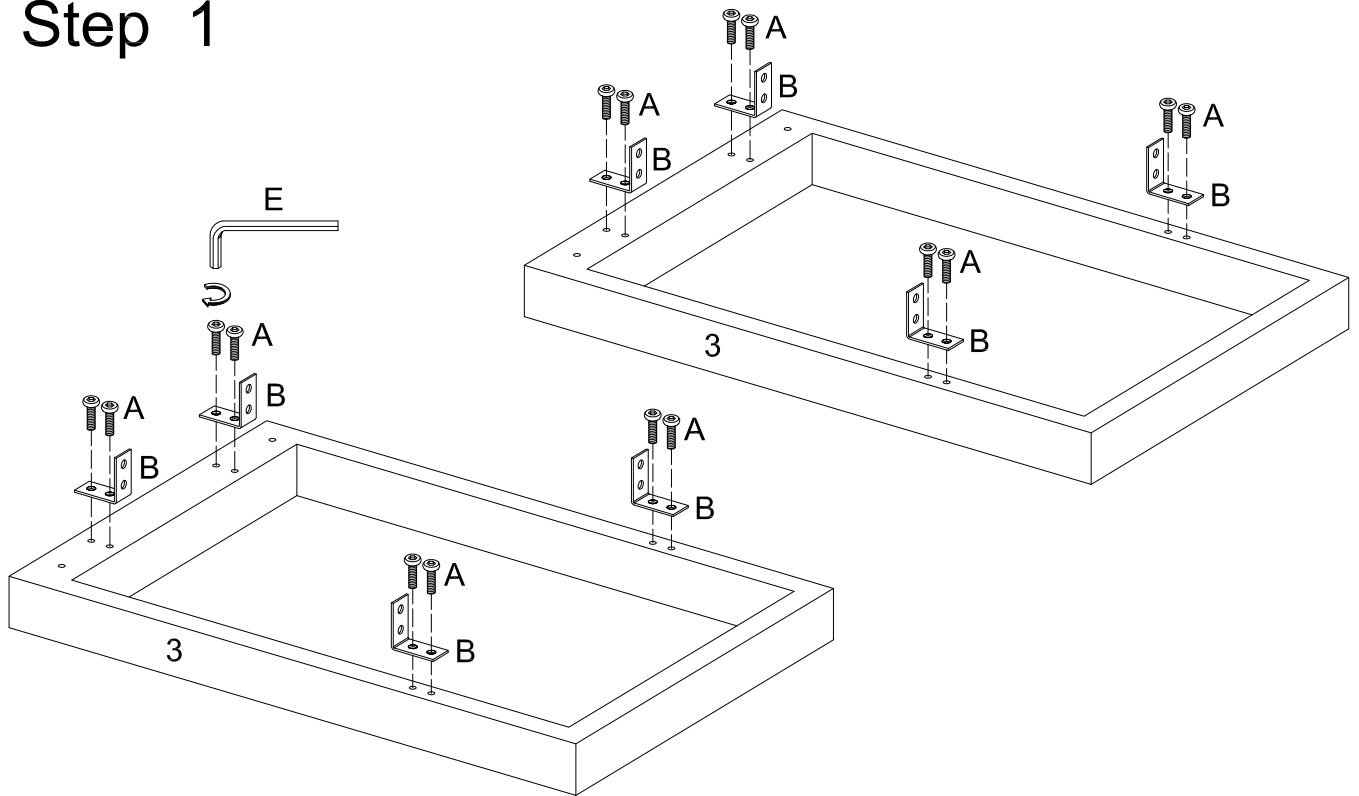


Hardware List

| | | | | |
|---|---|---------|-------------------|--------|
| A |  | M6*12mm | Bolts | 32 pcs |
| B |  | | L-shape connector | 8 pcs |
| C |  | M6*60mm | Bolts | 4 pcs |
| D |  | | Washer | 4 pcs |
| E |  | M6 | Wrench | 1 pc |

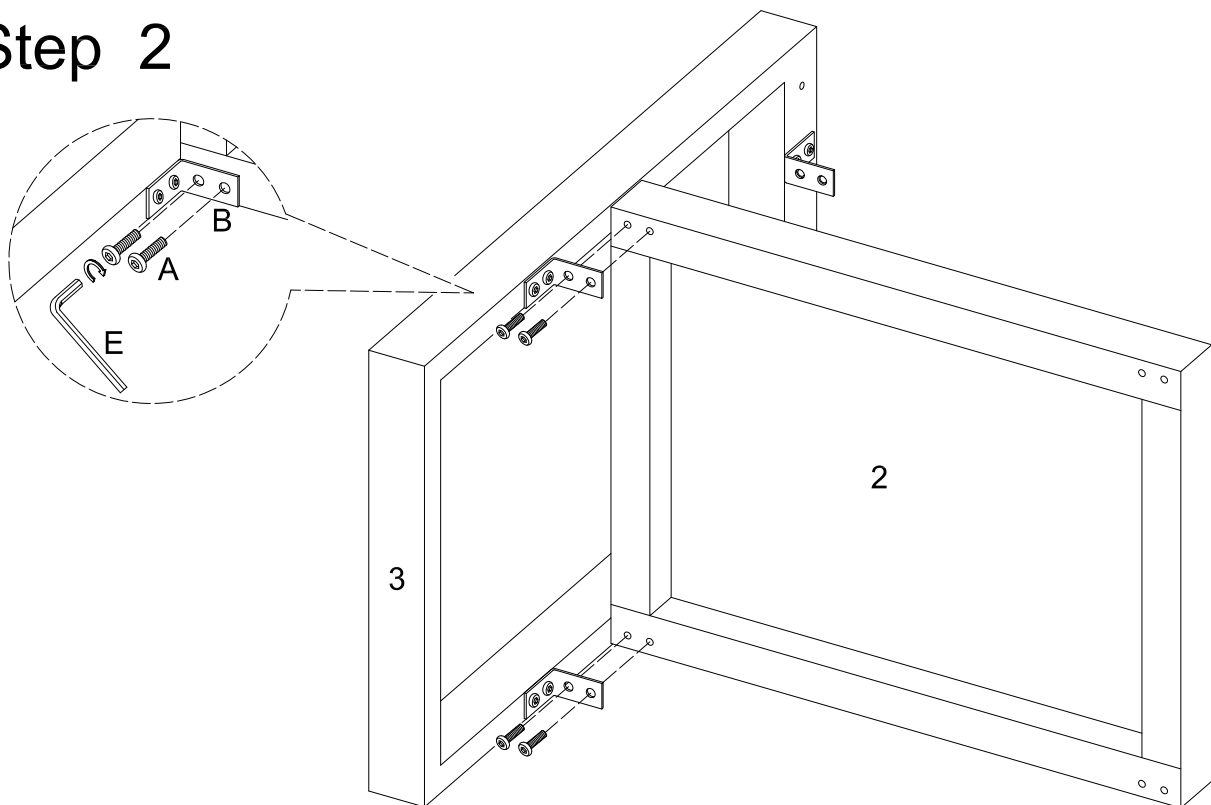
*The hardware quantities listed above are required for proper assembly.
Some extra hardware may also have been included.*

Step 1



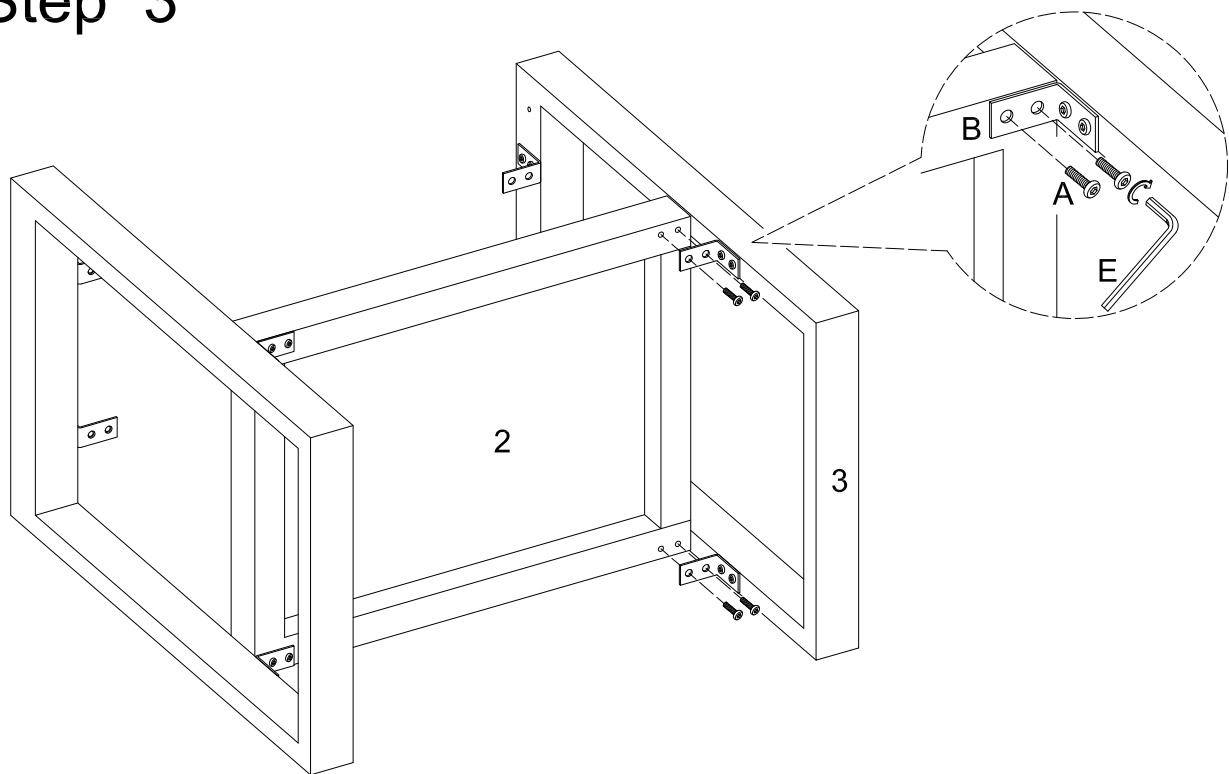
Place the Metal Frames (3) on the flat Surface, attached the L-shape connector (B) with the Bolts (A) and Wrench (E) as per diagram.

Step 2



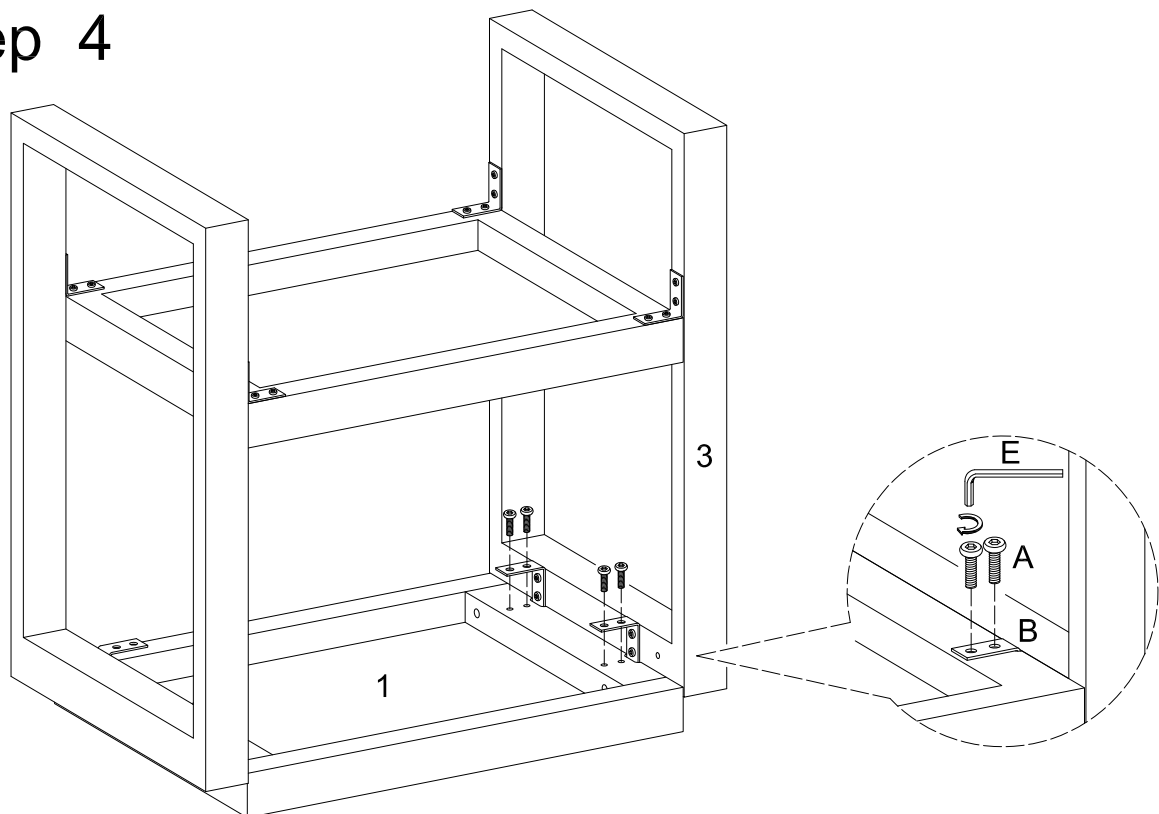
Attach the Lower Wooden Panel (2) to the Metal Frame (3) with Bolts (A), L-Shape Connector (B) and Wrench (E) for one side.

Step 3



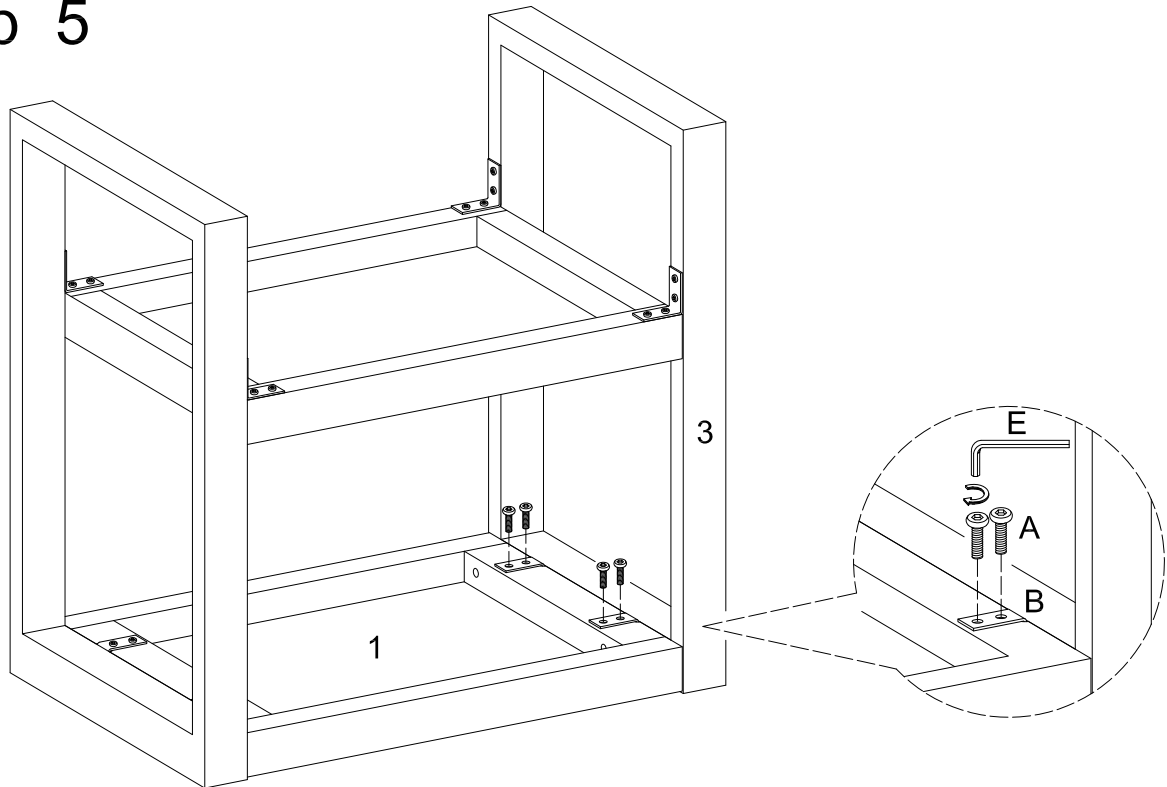
Repeat Step #2 for the other Metal Frame (3).

Step 4



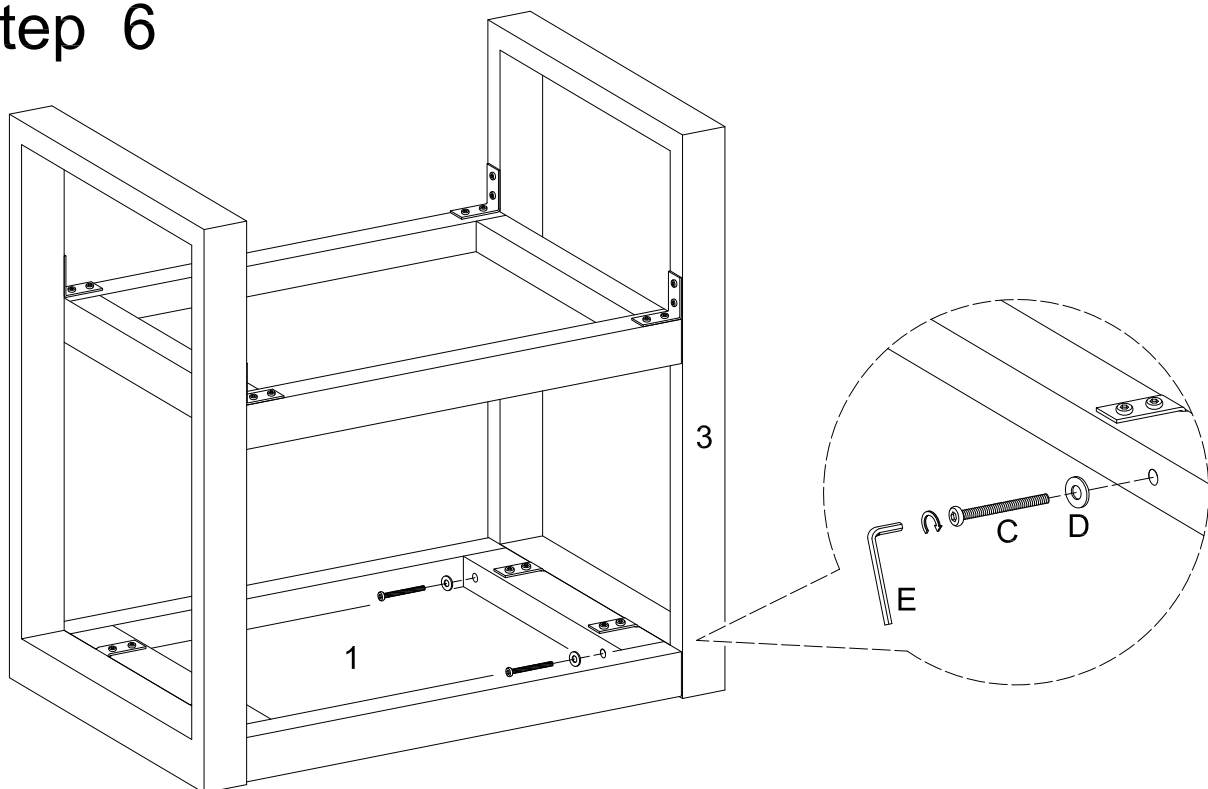
Up side down the Metal Frame (3) and the Wooden Panel (1) on a flat surface, Secure the wooden panel with the Bolts (A), the L-Shape Connector (B) and the Wrench (E).

Step 5



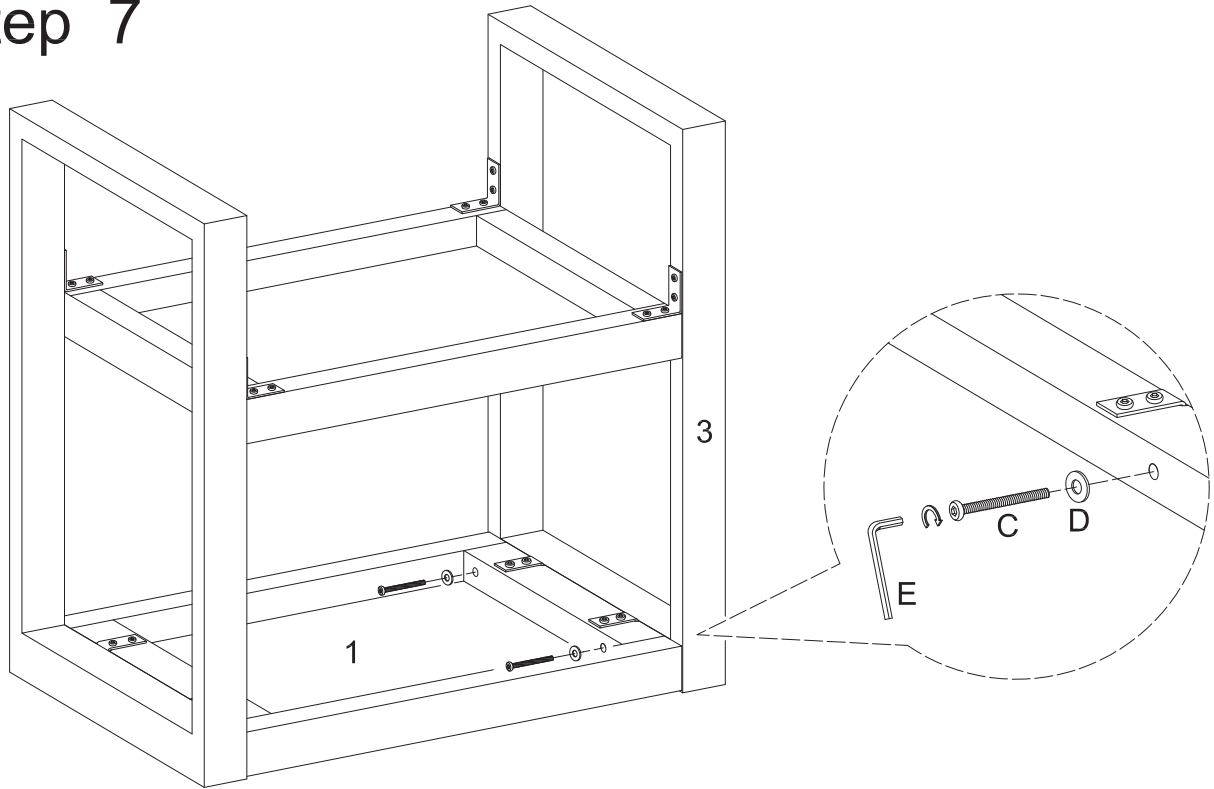
Repeat Step #4 for the other side.

Step 6



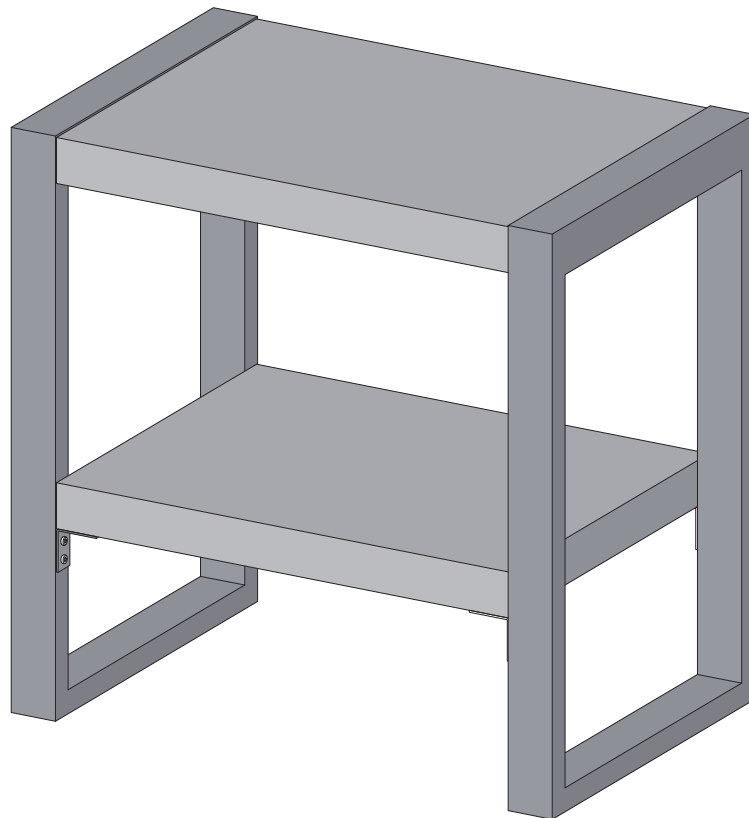
Use Washer (D), Bolts (C) and Wrench (E) to secure the Wooden Panel (1) to the Metal Frame (3).

Step 7



Repeat Step #7 for the other side.

Step 8



Final Assembly