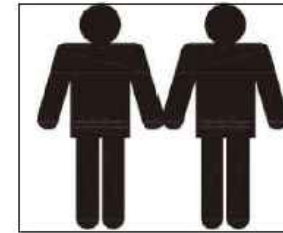
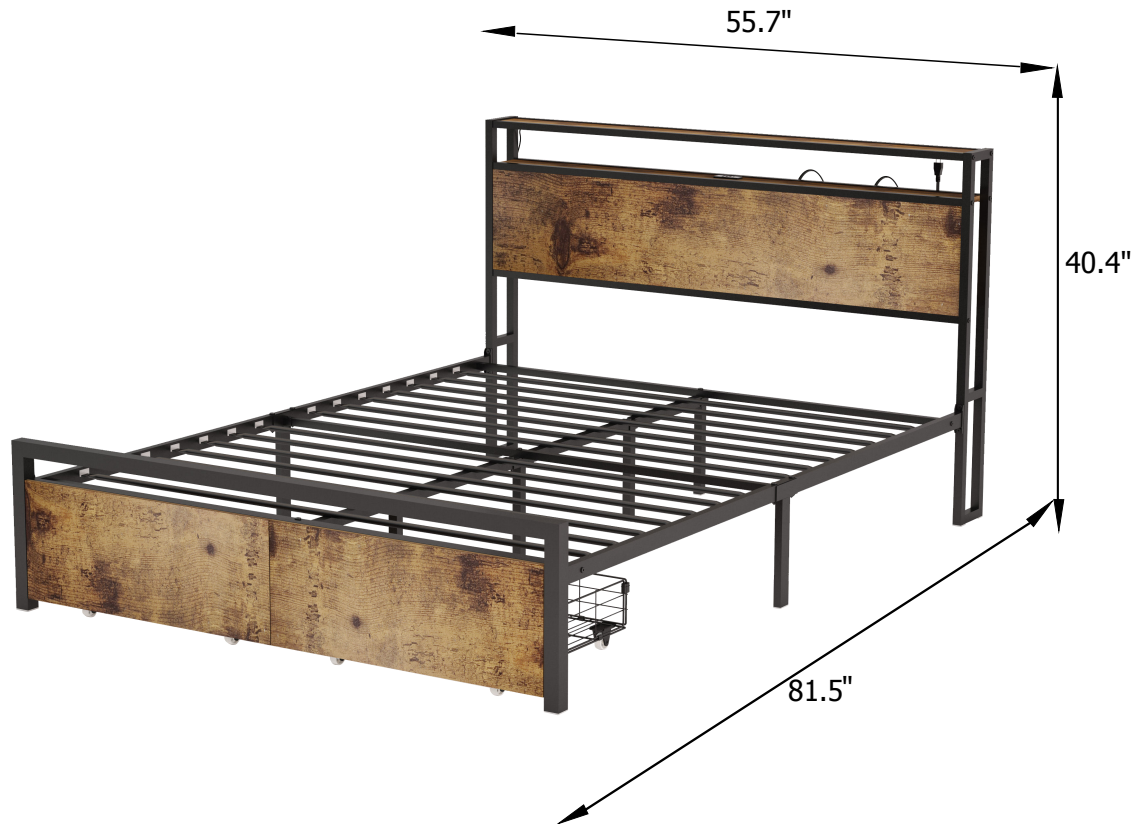


# Assembly Instruction

**Note:**

- 1. Should be assembled on flat ground to keep balance.**
- 2. Before completing the installation, do not tighten the screws.**



**It needs at least two people to install.**

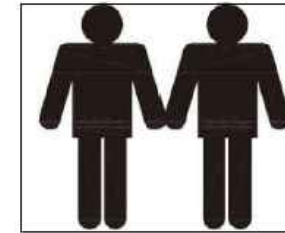


**Before starting the assembly, you must read the whole manual and follow the instructions**

# Assembly Instruction

**Note:**

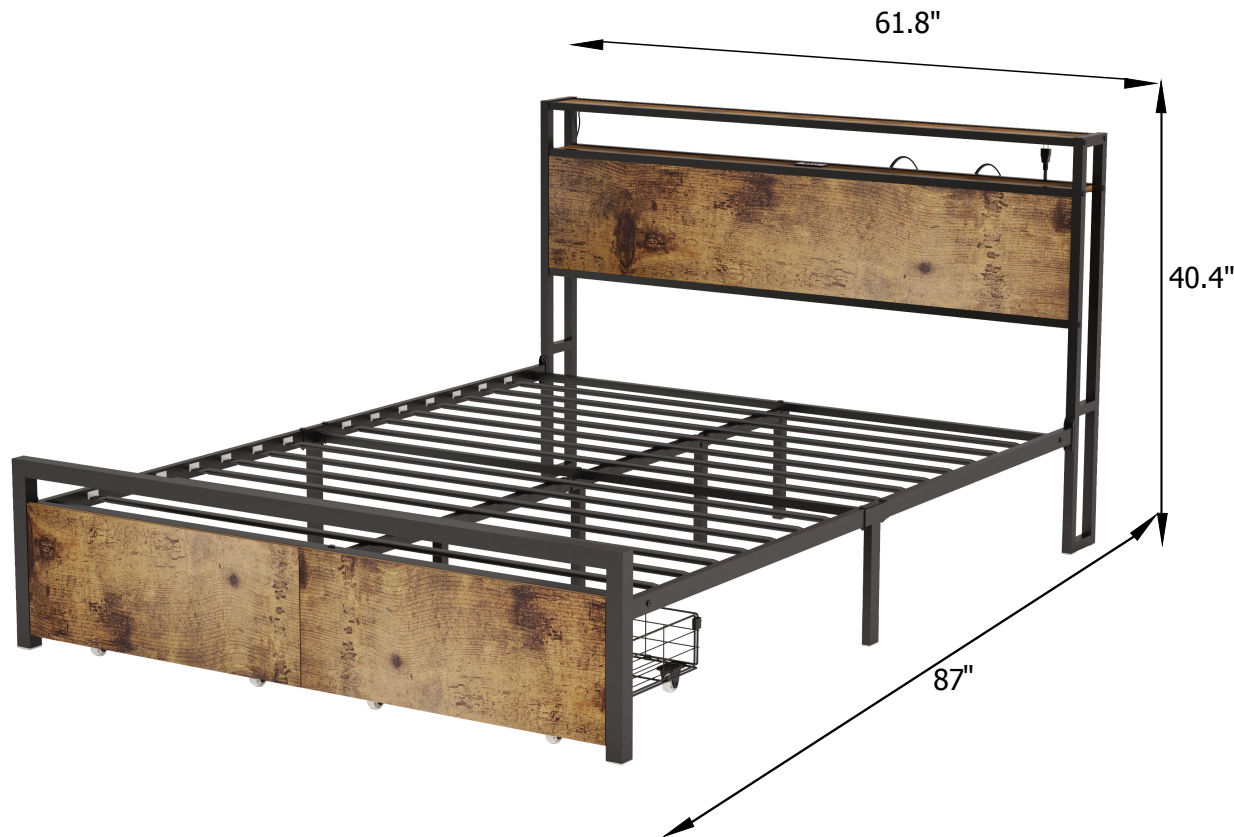
- 1. Should be assembled on flat ground to keep balance.**
- 2. Before completing the installation, do not tighten the screws.**



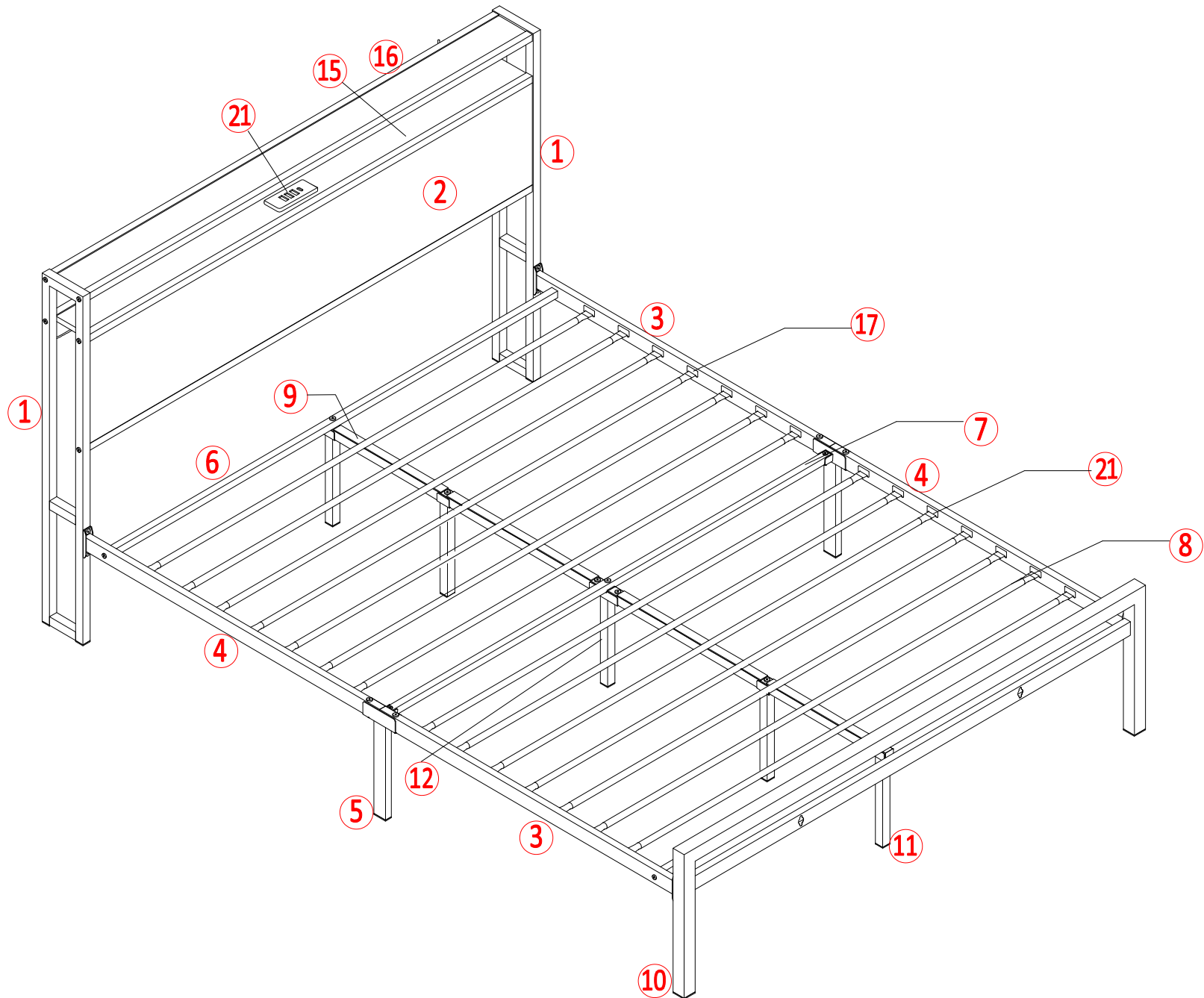
**It needs at least two people to install.**



**Before starting the assembly, you must read the whole manual and follow the instructions**






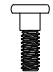





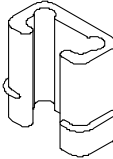
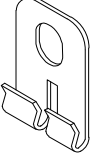
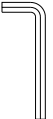


# Assembly Instruction of Bed



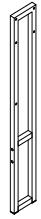
# Assembly Instruction of Bed

## Hardware parts

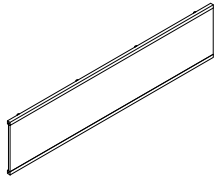
<p>A 1/4x30</p>  <p>6 PCS</p>	<p>B 5/16x16</p>  <p>8 PCS</p>	<p>C 5/16x48</p>  <p>5 PCS</p>	<p>D 5/16x34</p>  <p>4 PCS</p>	<p>E 1/4x10</p>  <p>14 PCS</p>	<p>F 1/4x16</p>  <p>2 PCS</p>	<p>G 1/4x45</p>  <p>10 PCS</p>	<p>H 5/16x55</p>  <p>2 PCS</p>	<p>I M3x13</p>  <p>2 PCS</p>
<p>J 1/4</p>  <p>2 PCS</p>	<p>K</p>  <p>4 PCS</p>	<p>L</p>  <p>4 PCS</p>	<p>M</p>  <p>2 PCS</p>	<p>N 1/4</p>  <p>1 PC</p>				

# Assembly Instruction of Bed

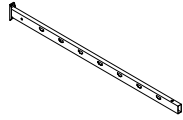
## Part list



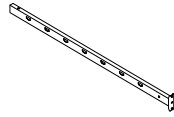
1 2PCS



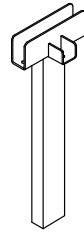
2 1PC



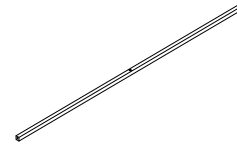
3 2PCS



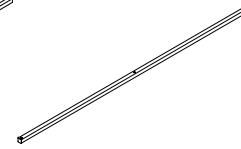
4 2PCS



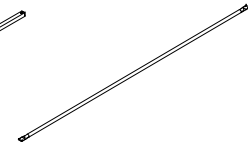
5 2PCS



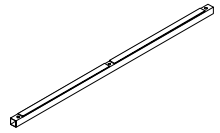
6 2PCS



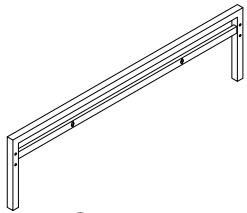
7 1PC



8 14PCS



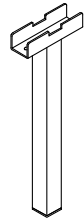
9 2PCS



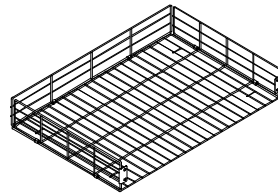
10 1PC



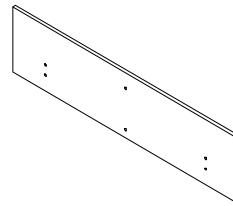
11 4PCS



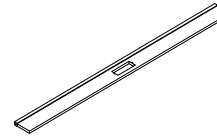
12 1PC



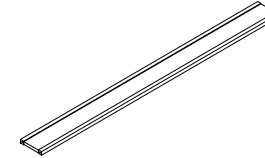
13 2PCS



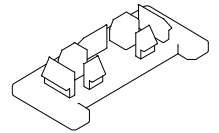
14 2PCS



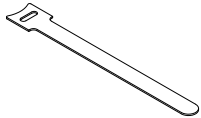
15 1PC



16 1PC



17 28PCS



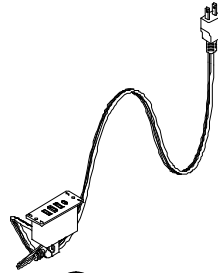
18 1PC



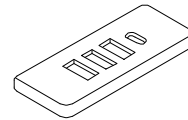
19 1PC



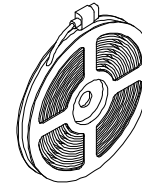
20 1PC



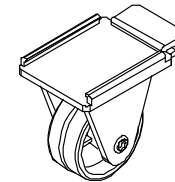
21 1PC



22 1PC



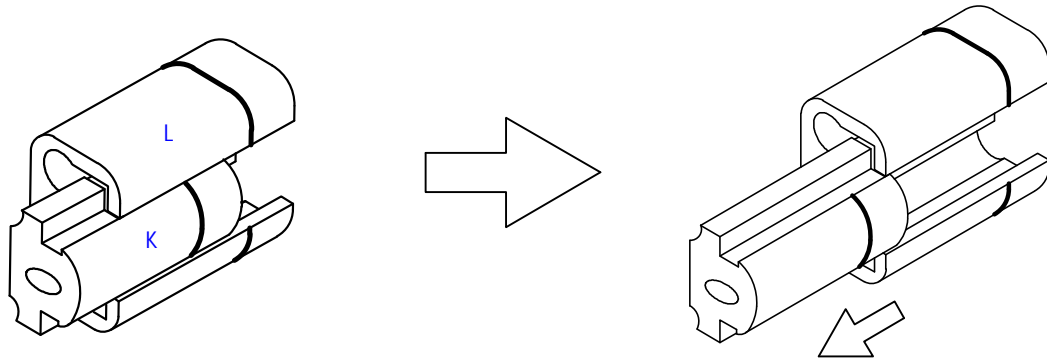
23 1PC



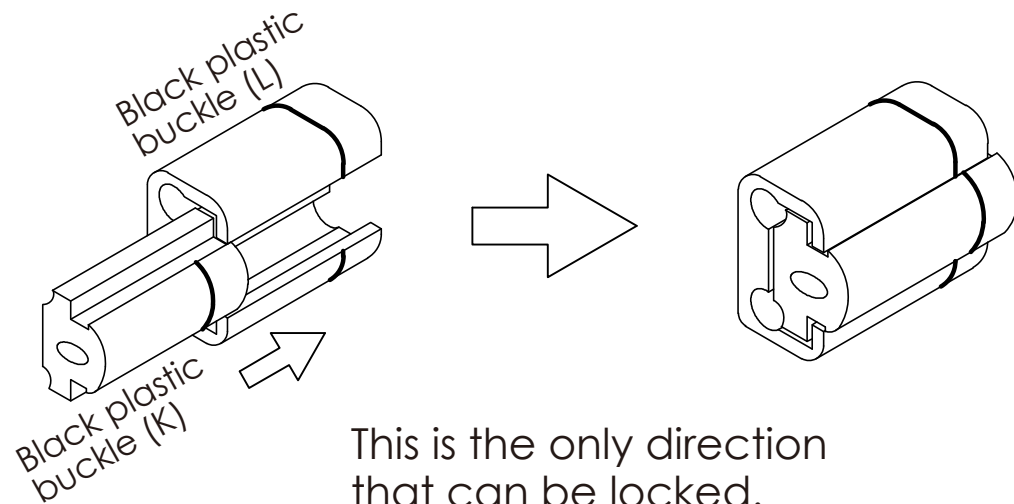
24 8PCS

# Assembly Instruction of Bed

Step:1

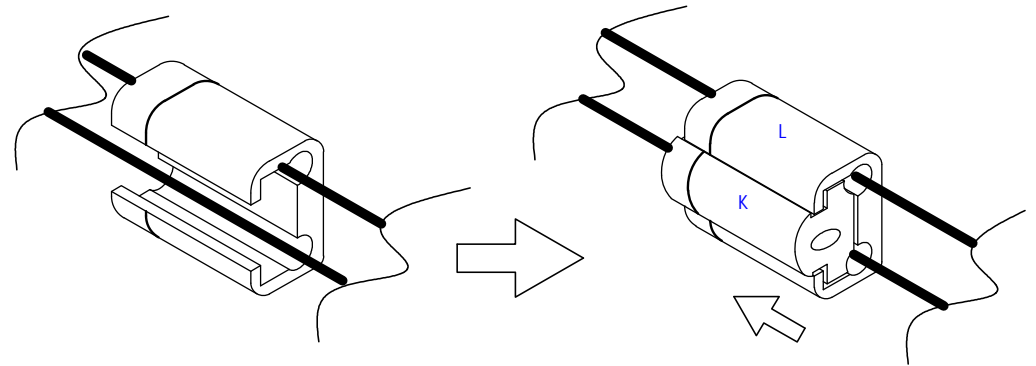


You can pull the buckle out by following the direction indicated by the arrow



This is the only direction that can be locked.

Step:2

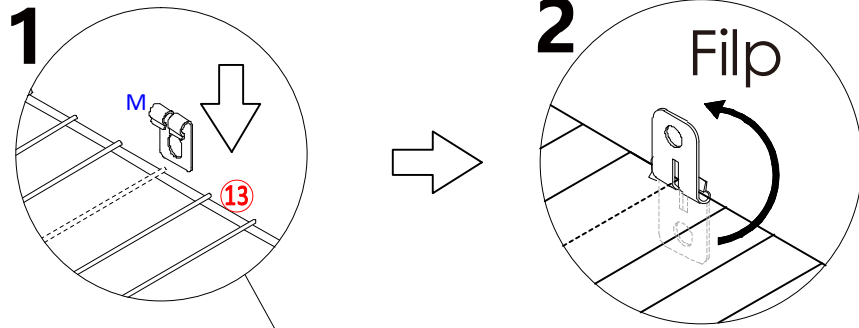
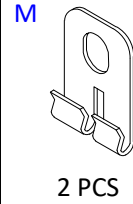


Place the round iron tubes as shown for better assembly of the drawers.

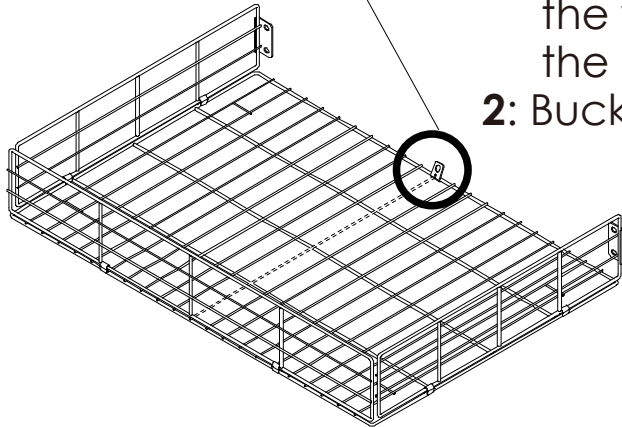
# Assembly Instruction of Bed

Step:3

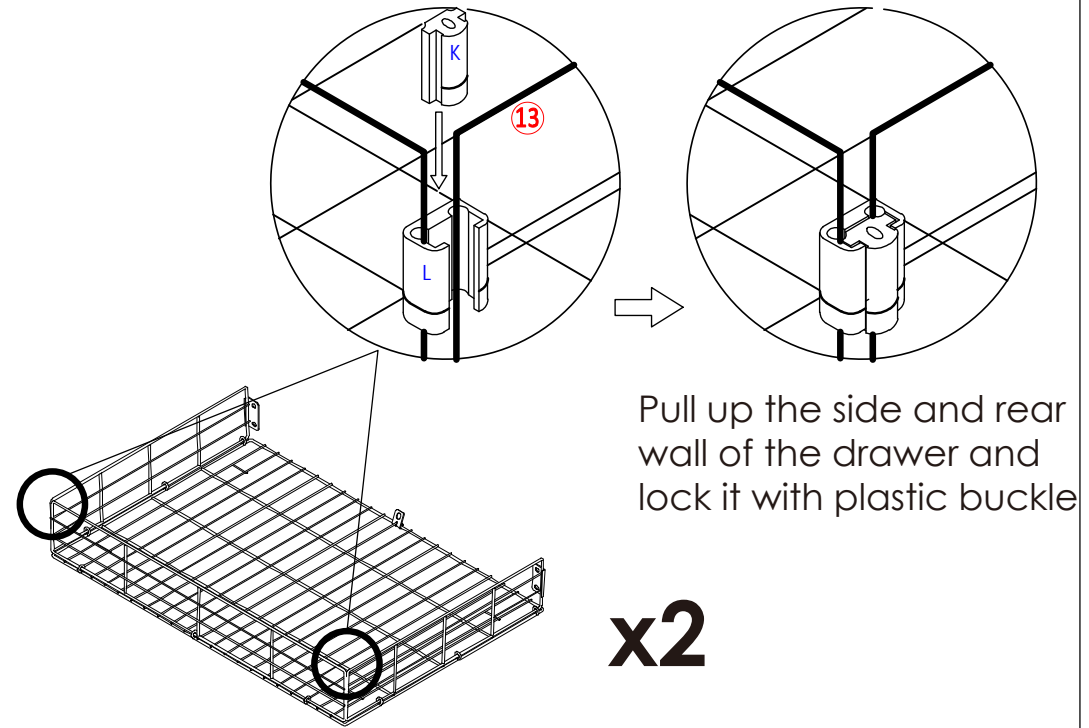
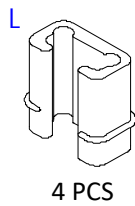
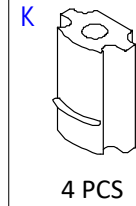
Assemble  
drawer hook



- 1: Count from the side to the wire in the middle of the drawer.
- 2: Buckle it and turn it over

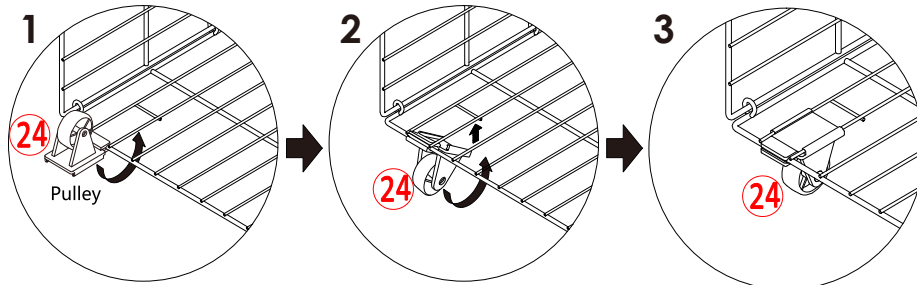


Step:4



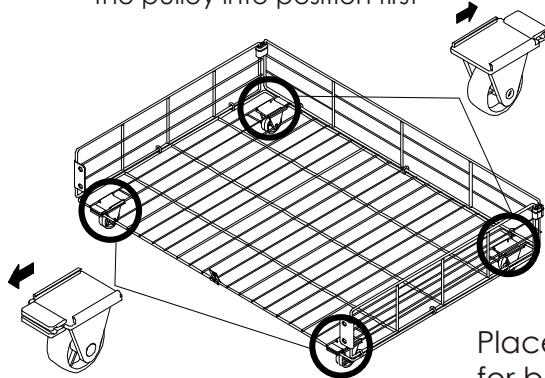
# Assembly Instruction of Bed

Step:5



1. As shown in the figure Clip the pulley into position first




2. Then push the pulley to the side, clamp the iron wire at the edge.

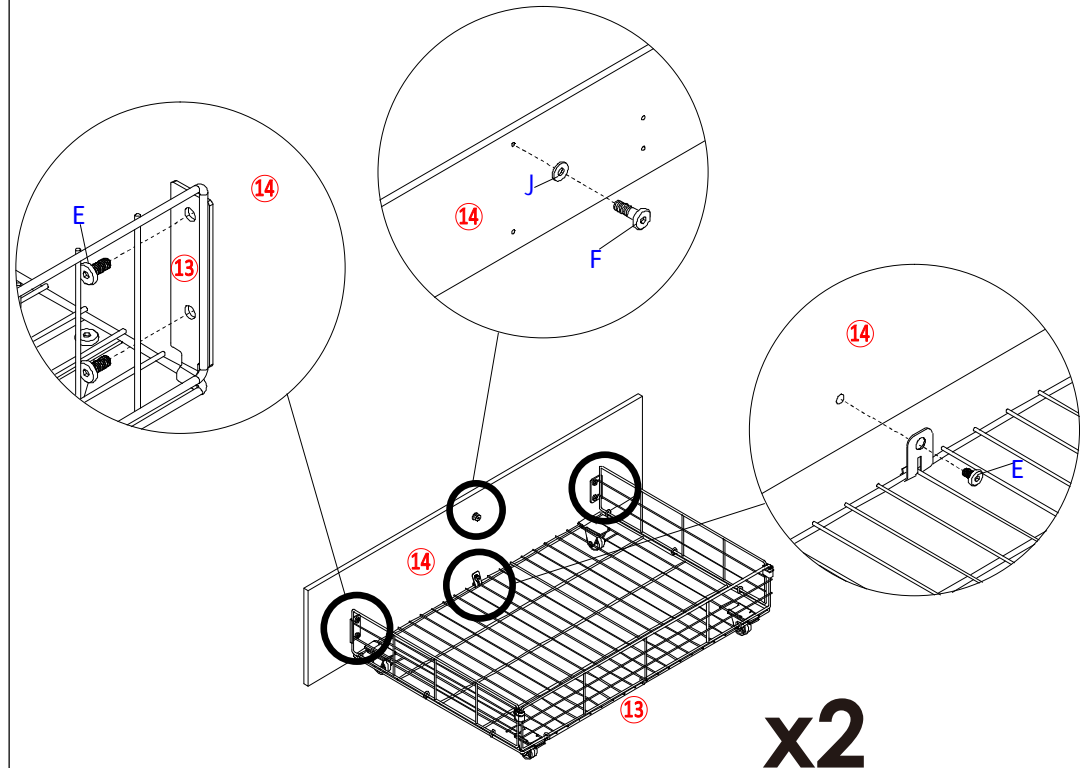


x2

Place the round iron tubes as shown for better assembly of the drawers.

Step:6

E 1/4X10	F 1/4X16	J 1/4
		
10 PCS	2 PCS	2 PCS



x2

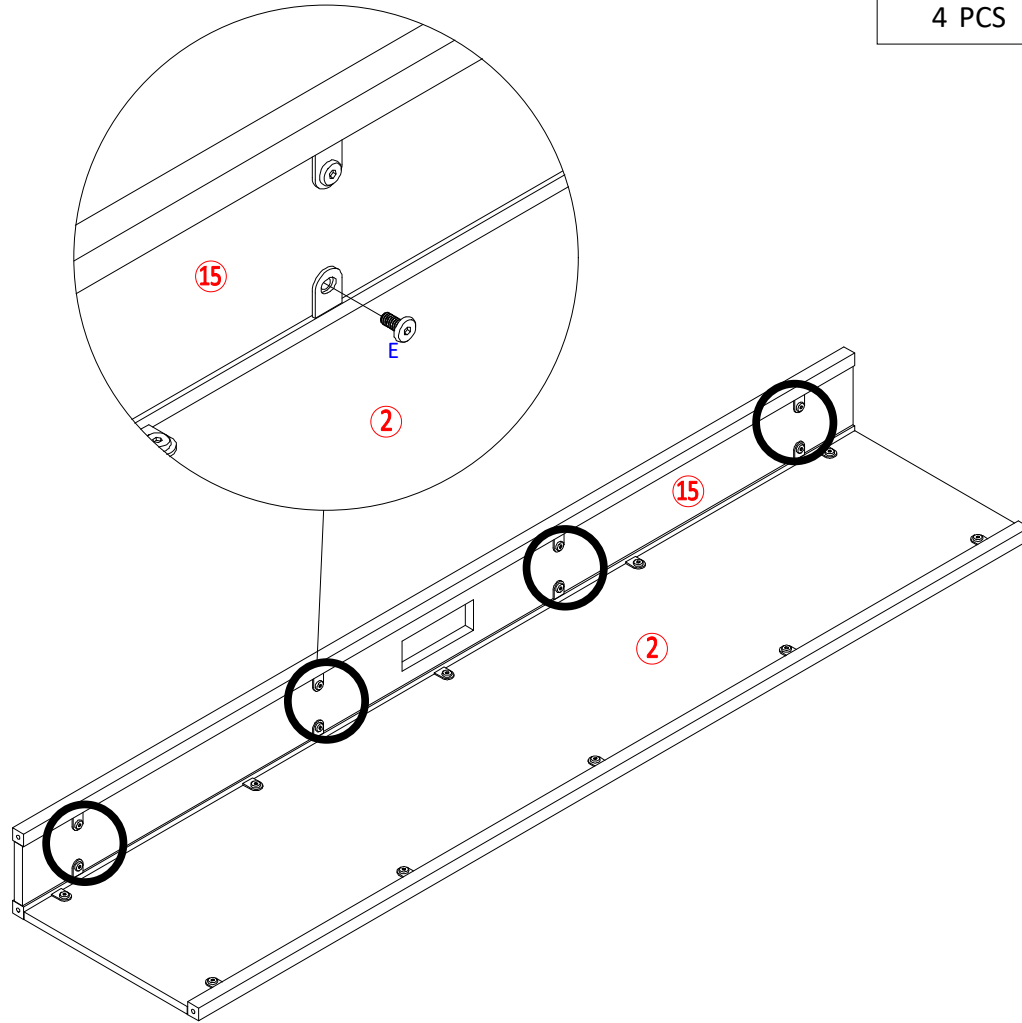
# Assembly Instruction of Bed

Step:7

E 1/4X10



4 PCS

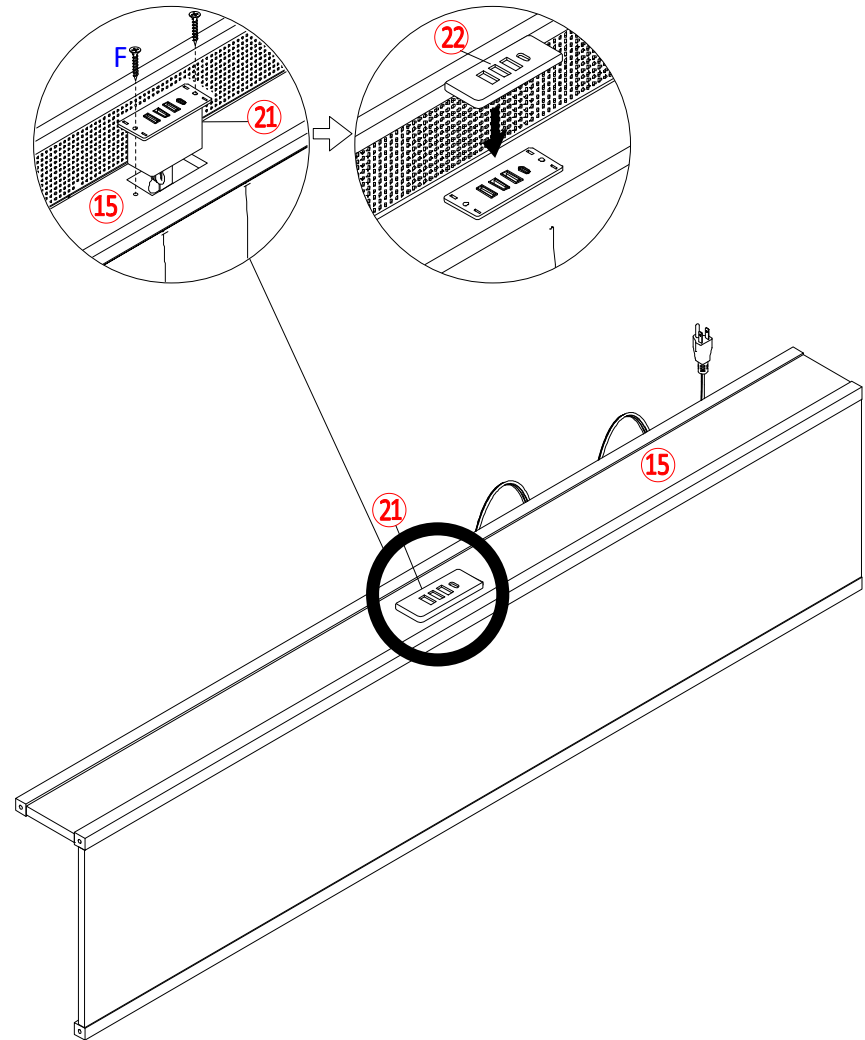


Step:8

I M3X13



2 PCS



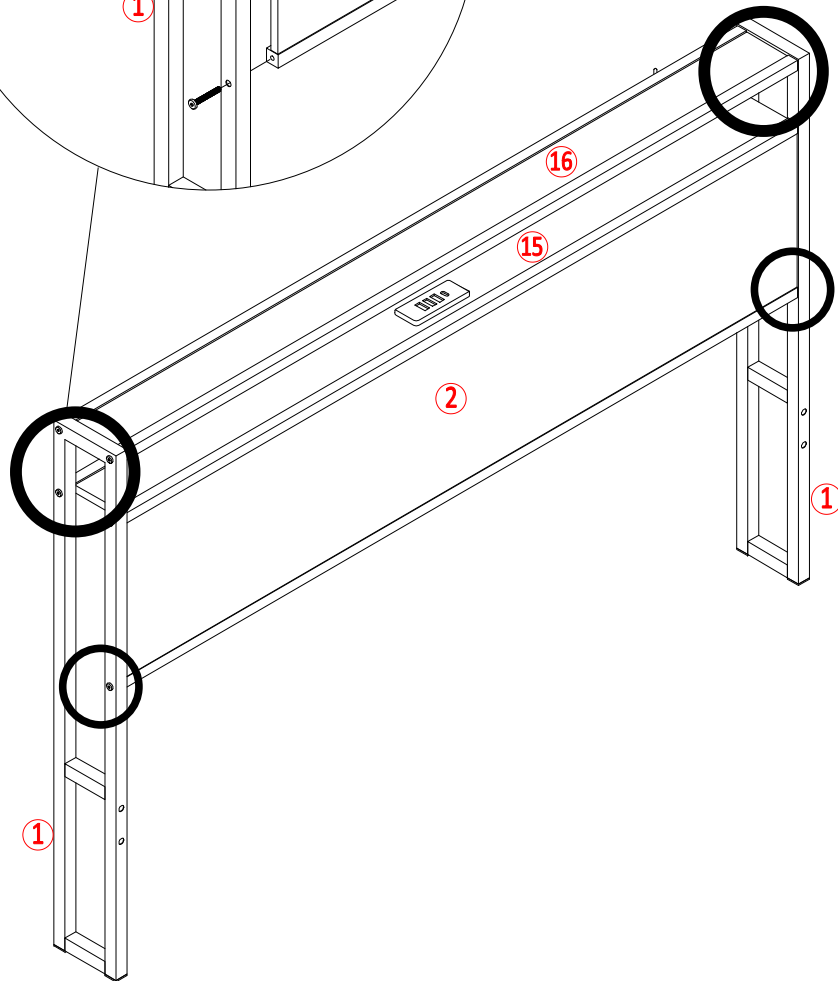
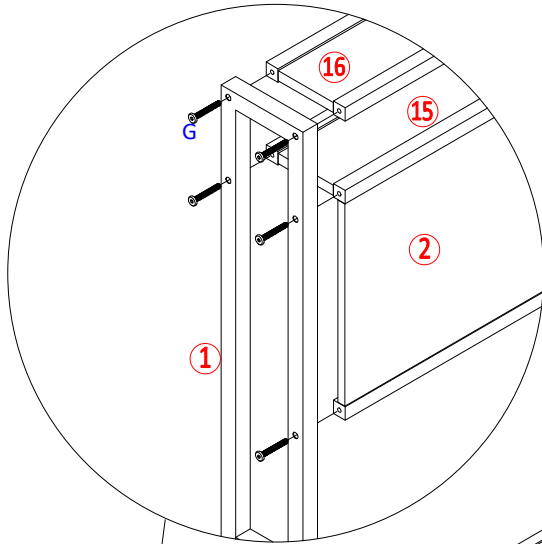
# Assembly Instruction of Bed

Step:9

G 1/4X45



10 PCS

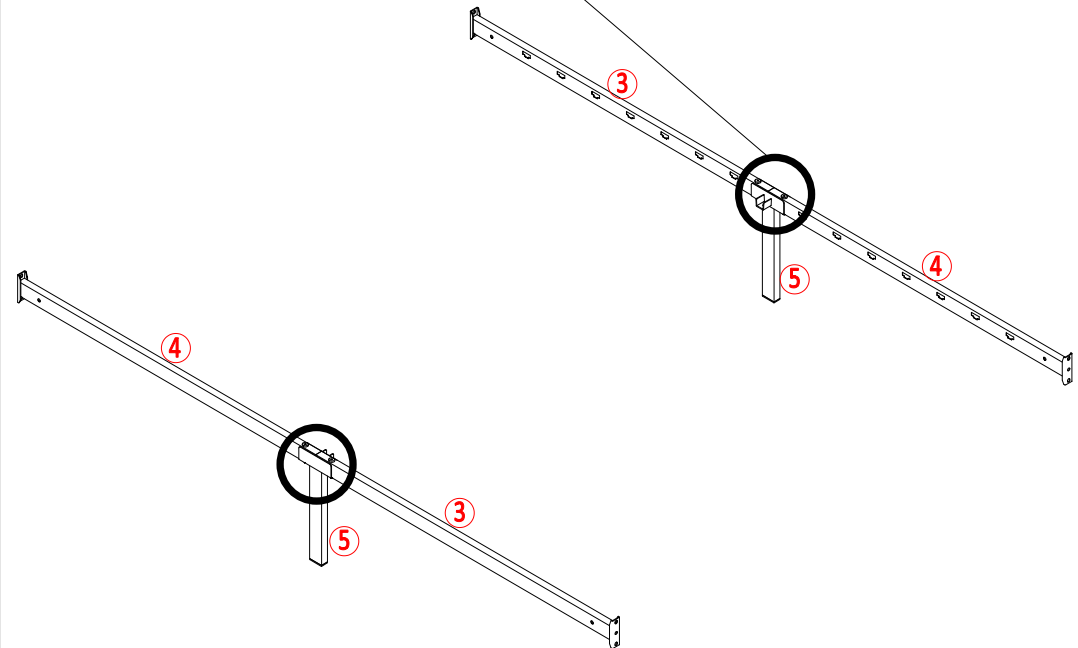
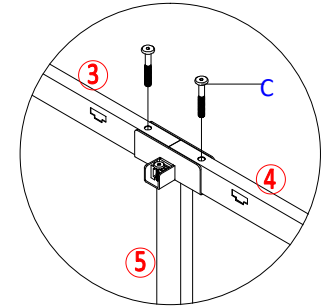
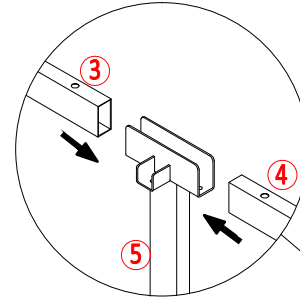


Step:10

C 5/16X48



4 PCS



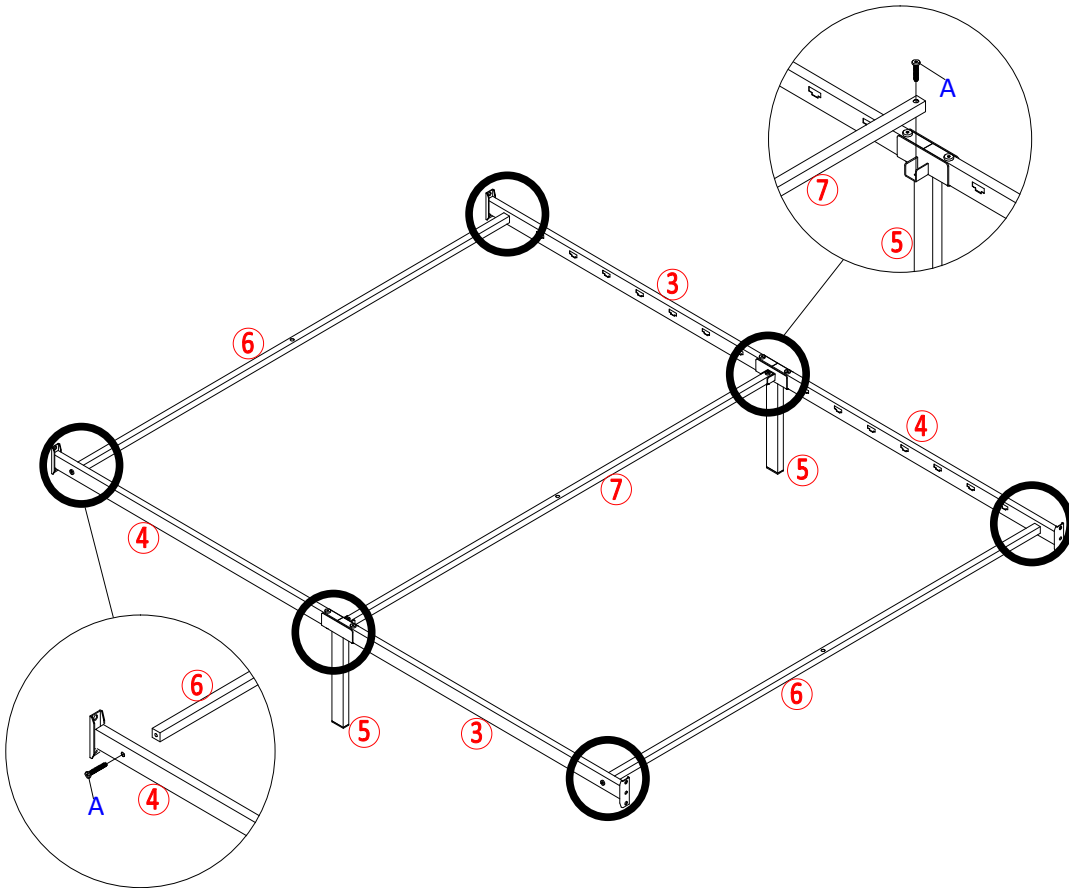
# Assembly Instruction of Bed

Step:11

A 1/4X30



6 PCS

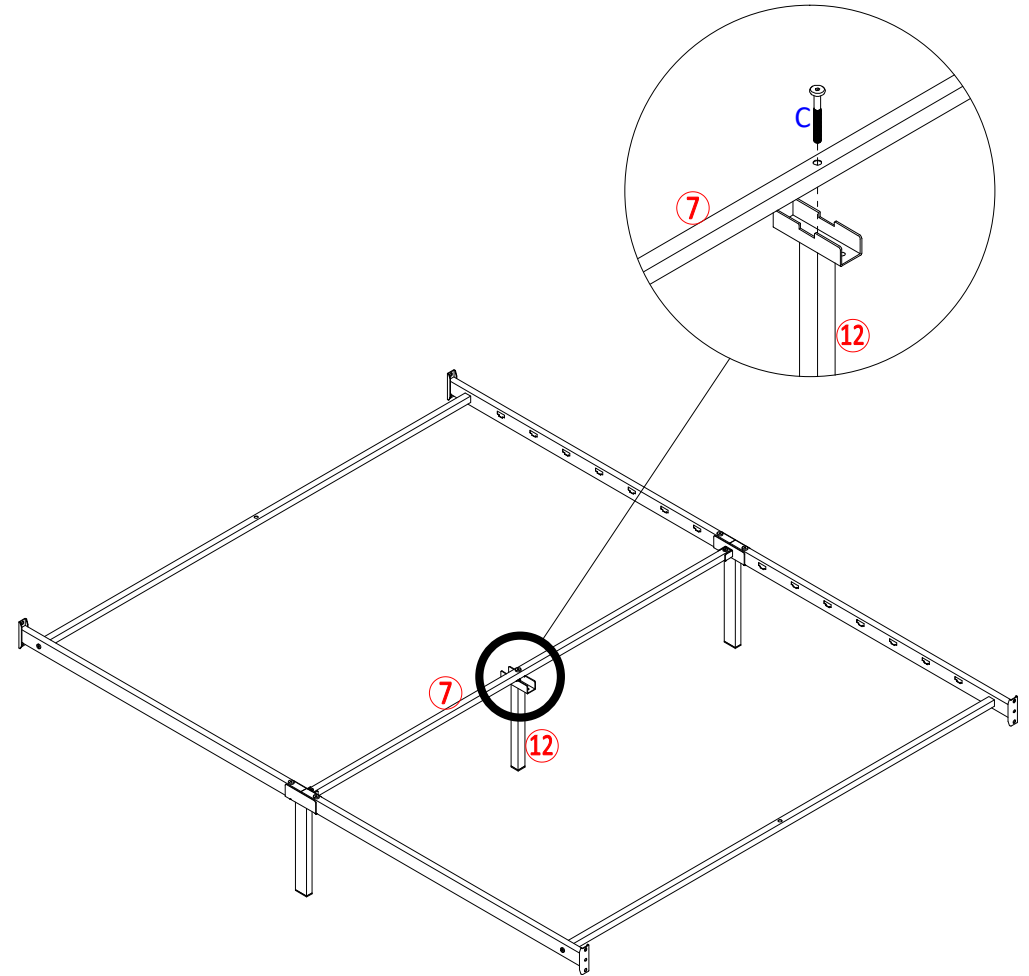


Step:12

C 5/16X48



1 PC



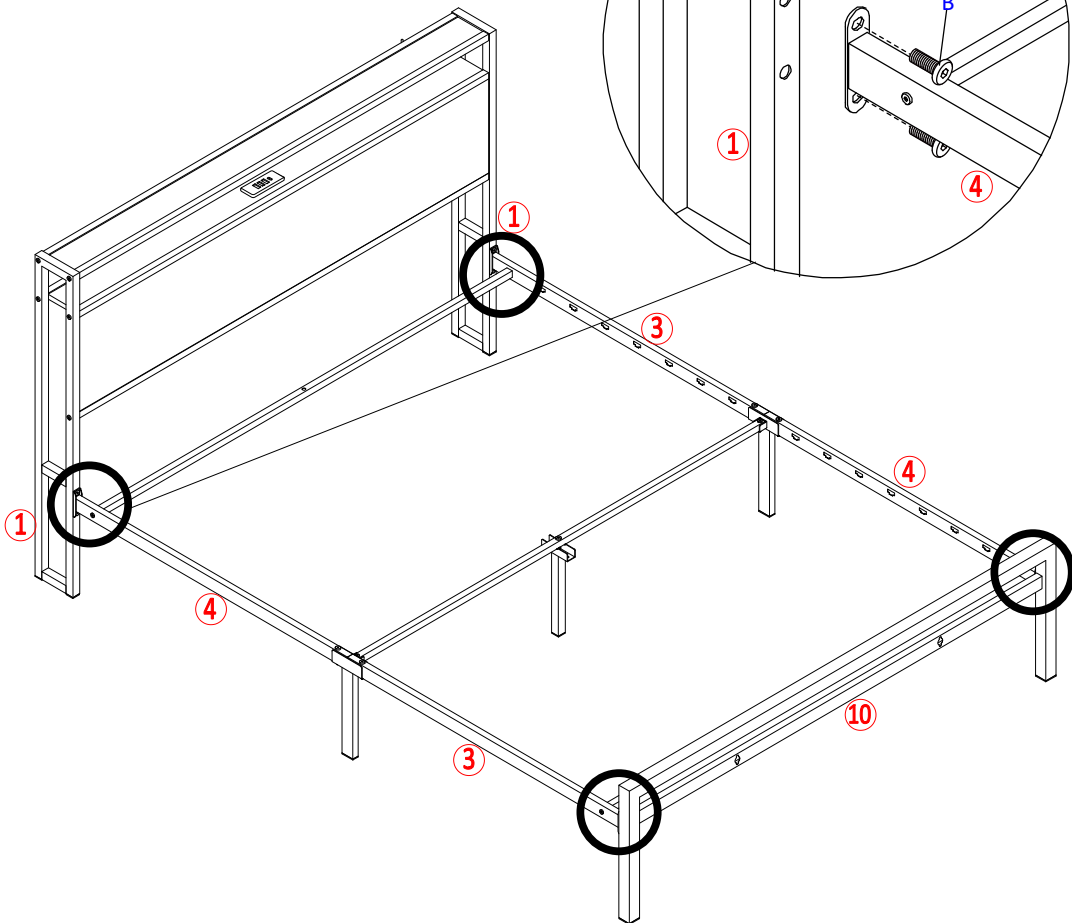
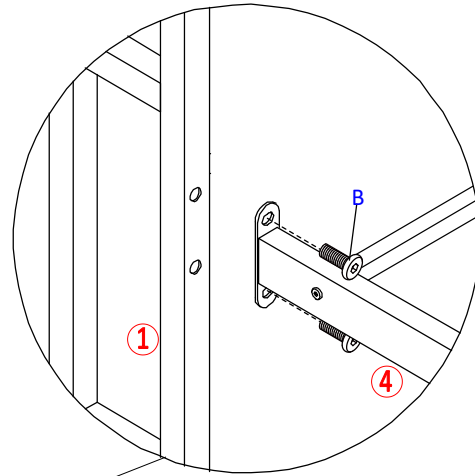
# Assembly Instruction of Bed

Step:13

B 5/16X16



8 PCS



Step:14

D 5/16X34

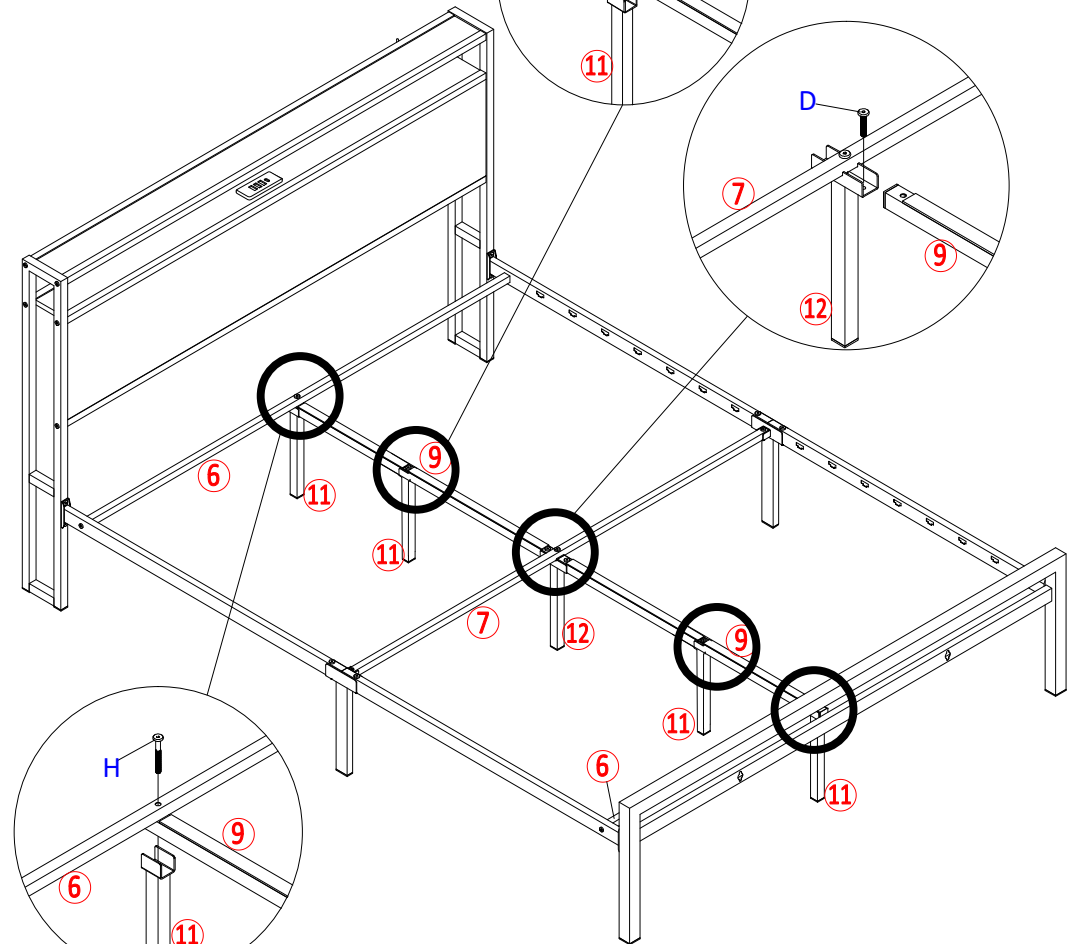
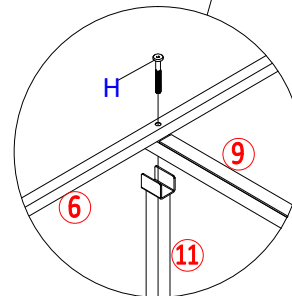
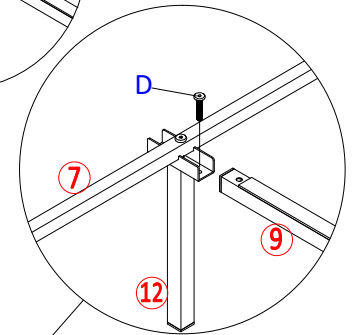
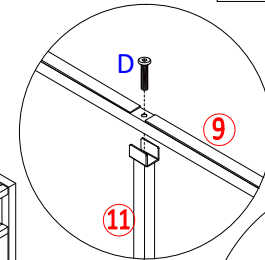


4 PCS

H 5/16X55

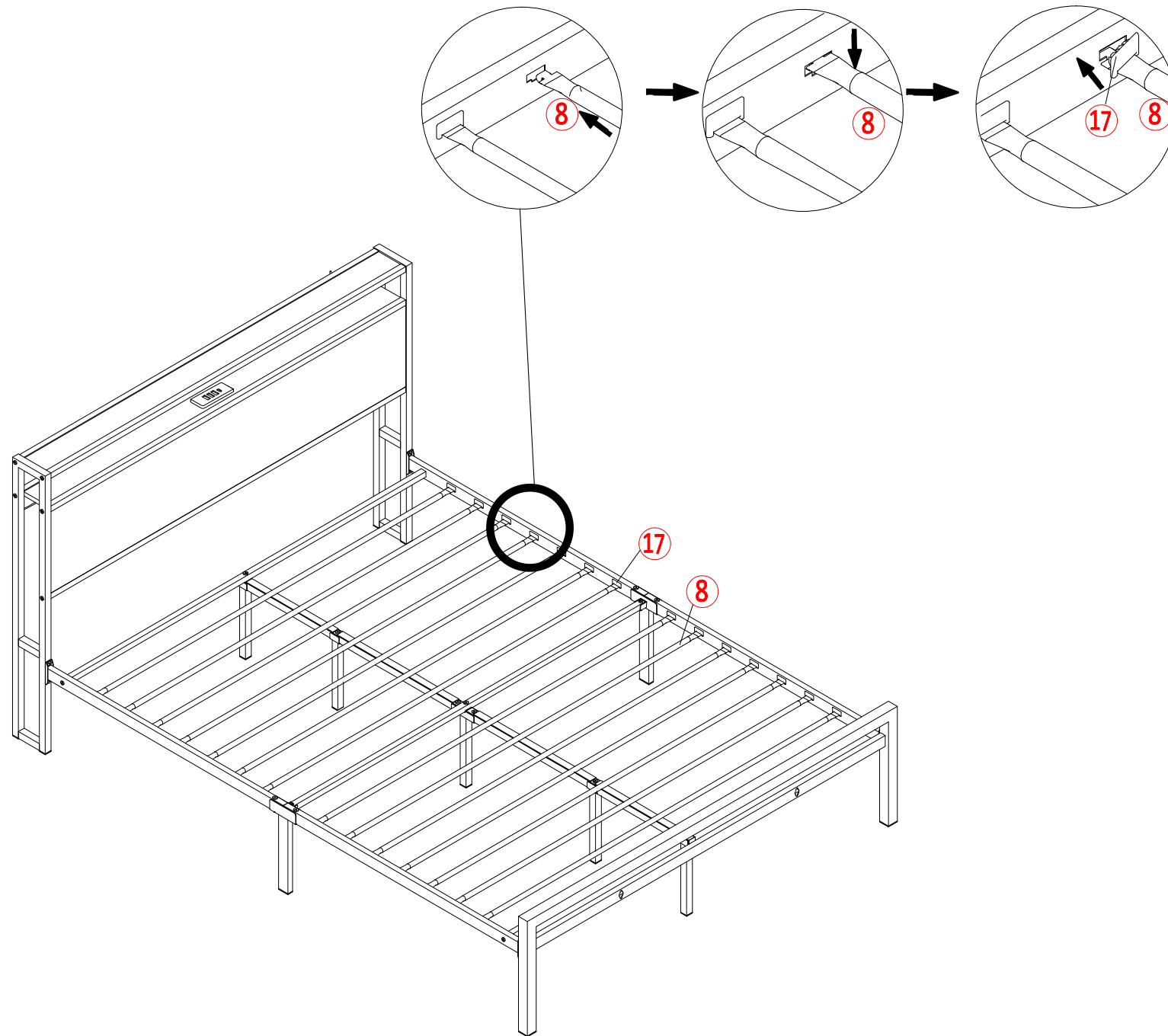


2 PCS



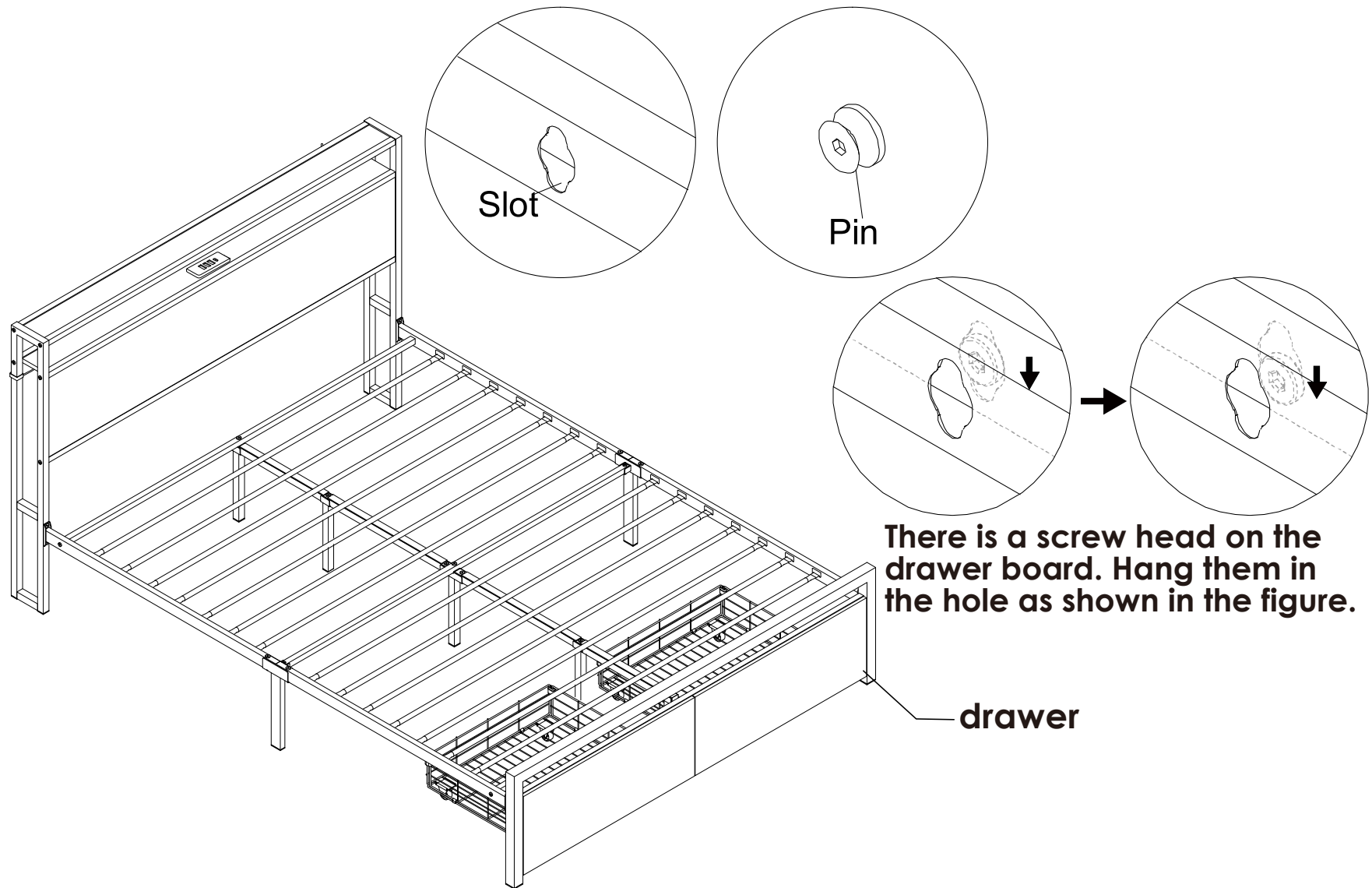
# Assembly Instruction of Bed

Step:15



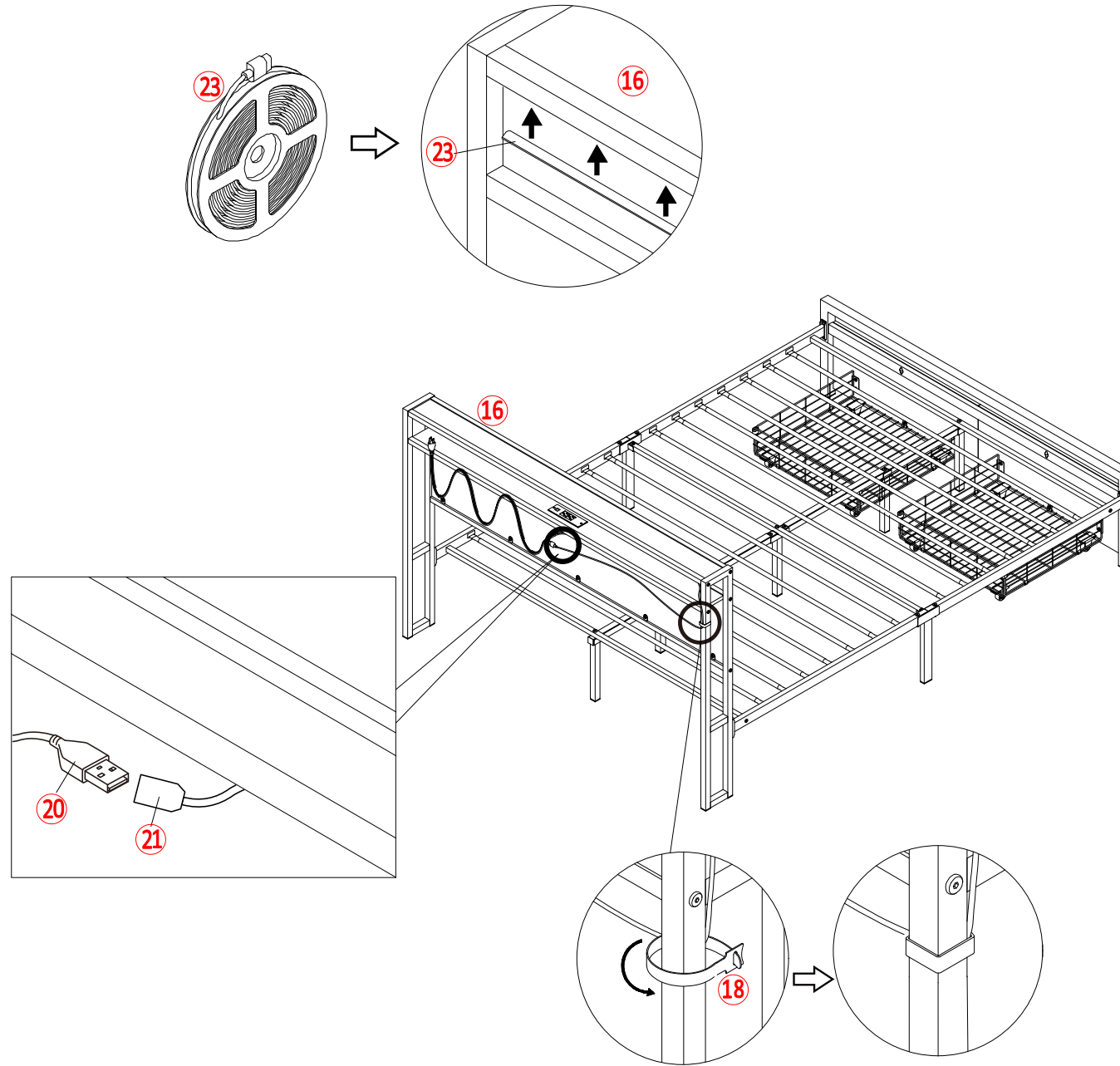
# Assembly Instruction of Bed

Step:16



# LED lamp assembly details

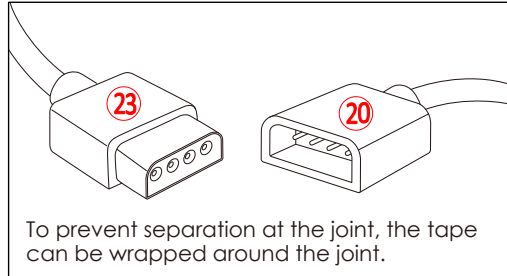
Step:17



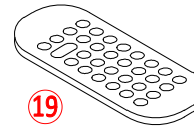
Secure the Led light strip with straps.

# LED lamp assembly details

Step:18

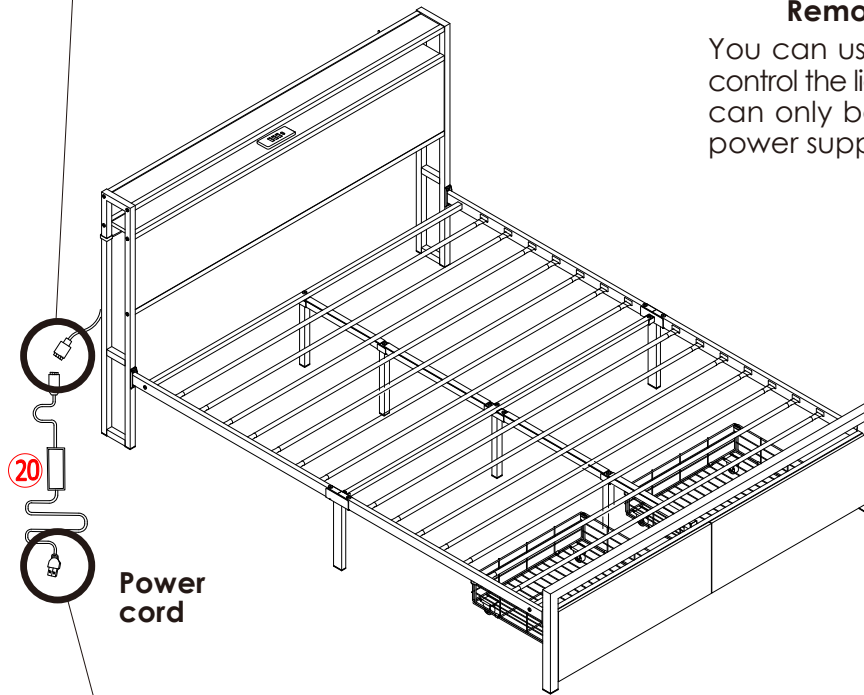


**NOTE:** The black part of the receiver ⑳ needs to be exposed to air in order to better control the LED light.

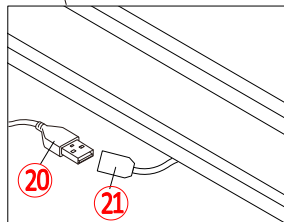


## Remote control

You can use the remote to control the light. The LED lamp can only be used after the power supply is connected.



⑳  
Power cord



Please scan the QR code on the manual/controller and install the application.

Step1: Please make sure your phone has Bluetooth enabled.

Step2: The LED light will automatically connect to the APP.

