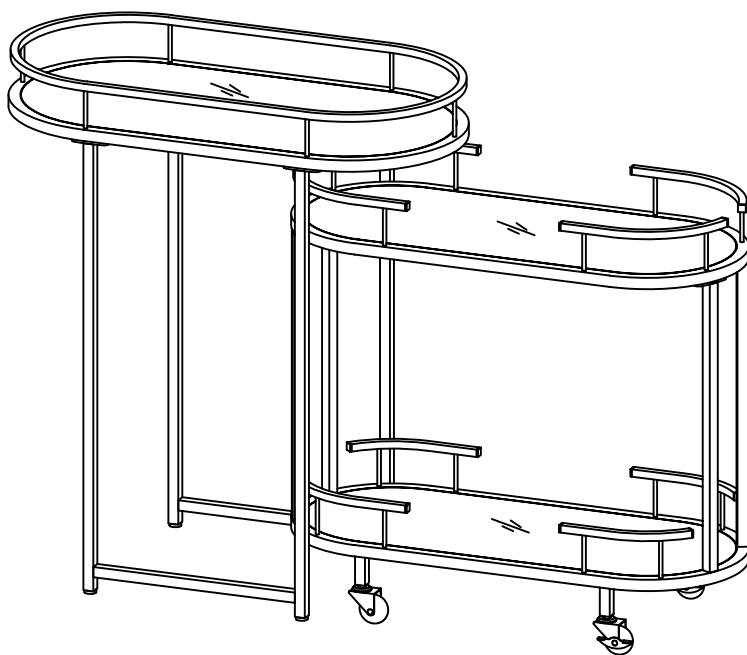


# ASSEMBLY INSTRUCTIONS



## TOOLS REQUIRED



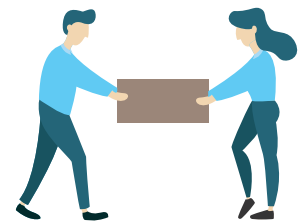
Allen Wrench

(Included)



Wrench

(Included)



**2 - People  
Recommended**

## ASSEMBLY RATING



EASY —————> DIFFICULT

The Assembly Rating is a 5-point system showing the level of effort needed to assemble a specific product.

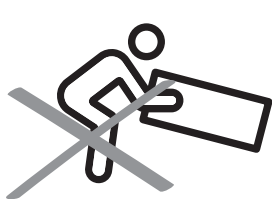


## **CHECK BEFORE STARTING**

- |                                                                                                                                                   |                                                                                                                                                                                                                                     |
|---------------------------------------------------------------------------------------------------------------------------------------------------|-------------------------------------------------------------------------------------------------------------------------------------------------------------------------------------------------------------------------------------|
| <input type="checkbox"/> <b>Are you missing anything?</b><br>Double-check all parts, hardware and accessories listed on Page 6 are accounted for. | <input type="checkbox"/> <b>Check out our Quick Tips!</b><br>We recommend reviewing the pre-assembly handouts. Even experts need a refresher now and then!                                                                          |
| <input type="checkbox"/> <b>Should we send any replacements?</b><br>Are there any irregularities or flaws in the parts? We can send replacements! | <input type="checkbox"/> <b>Prep Time!</b><br>Please review the assembly instructions and all diagrams prior to assembling. Arrange parts as recommended on Page 7 and group identical hardware together to make assembling easier. |
-

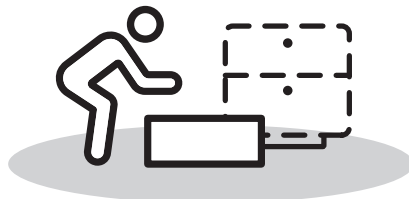
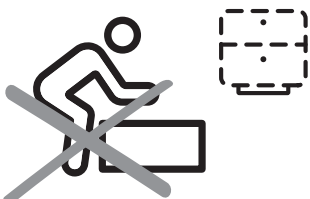
# PRE ASSEMBLY INTRODUCTION

We understand building ready-to-assemble furniture can be a challenging experience for some. To help avoid confusion, we have provided some helpful tips that may speed up the process.



## Teamwork

ALWAYS have at least two people to help with transporting and assembling the product to avoid potential injury and/or damage.



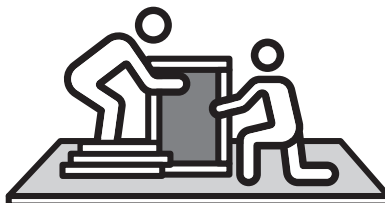
## Suitable Location

Assembling near the area of the intended location is highly recommended.



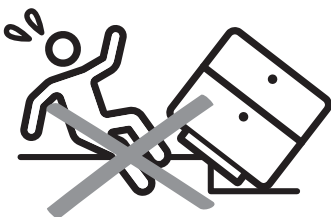
## Sufficient Space

Make sure you have enough space to move around during the assembly.



## Avoid Scratches

Use cardboard, blankets or a carpeted area while assembling furniture to prevent scratches.



## Flat Surface

Make sure the furniture rests on a flat and level surface with each leg evenly touching the floor.

# ASSEMBLY AND CARE ADVICE



**FAILURE TO FOLLOW THE GUIDELINES BELOW MAY RESULT IN INJURY AND/OR PROPERTY DAMAGE.**



Position each part correctly and insert screws or bolts into their respective holes.



Use the appropriate hand tools or power tools for assembly. Select steps, such as tightening screws and/or bolts, may require hand tools to avoid causing damage during assembly.



Turn clockwise to tighten and only tighten when step is completed or when instructed to do so.



Save the instructions and store any supplied tools for later maintenance.



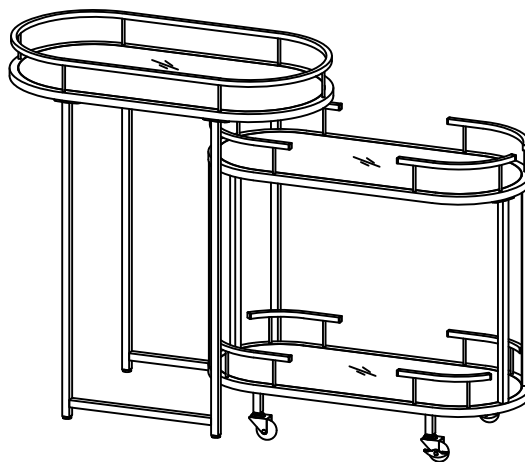
After two weeks, check and tighten any loose hardware and repeat again every six months thereafter.

**IT IS THE USER'S RESPONSIBILITY TO MAINTAIN THE FURNITURE. THE HARDWARE MAY LOOSEN OVER TIME AND MAY CAUSE THE FURNITURE TO BE WOBBLY AND UNABLE TO SUPPORT ITS INTENDED WEIGHT CAPACITY. THIS MAY LEAD TO COLLAPSE AND MAY CAUSE SERIOUS INJURY.**

# BAR CART



- Please keep instructions for future reference.
- Check the quantity and irregularity of parts and hardware before you start.



## PARTS

#1 1pc

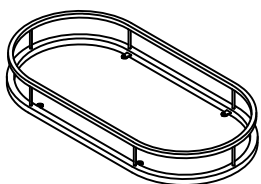


Table Top Frame

#2 2pcs

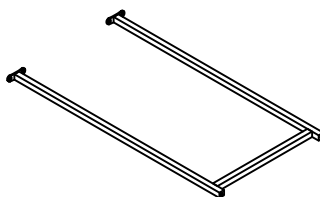
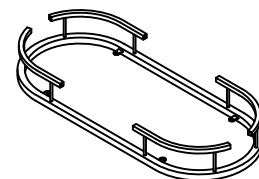


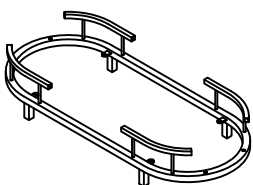
Table Top Frame

#3 1pc



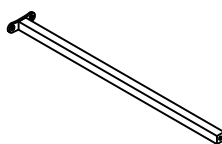
Cart Top Frame

#4 1pc



Cart Side Frame

#5 4pcs



Leg Frame

#6 1pc

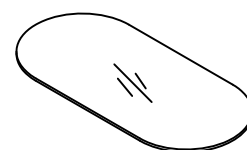
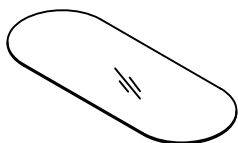


Table Glass

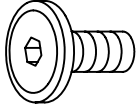
#7 2pcs



Cart Glass

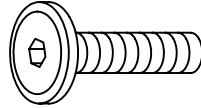
## HARDWARE

#A 16pcs



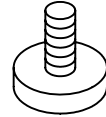
Bolt 1/4" \* 12mm

#B 4pcs



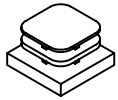
Bolt 1/4" \* 32mm

#C 4pcs



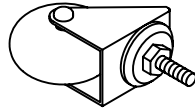
Leveler

#D 16pcs



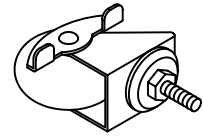
Plug

#E 2pcs



Wheel

#F 2pcs



Wheel with Brake

#G 4pcs



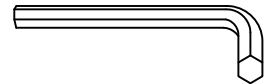
Split Washer

#H 12pcs



Sucker

#I 1pc



Allen Wrench

#J 1pc

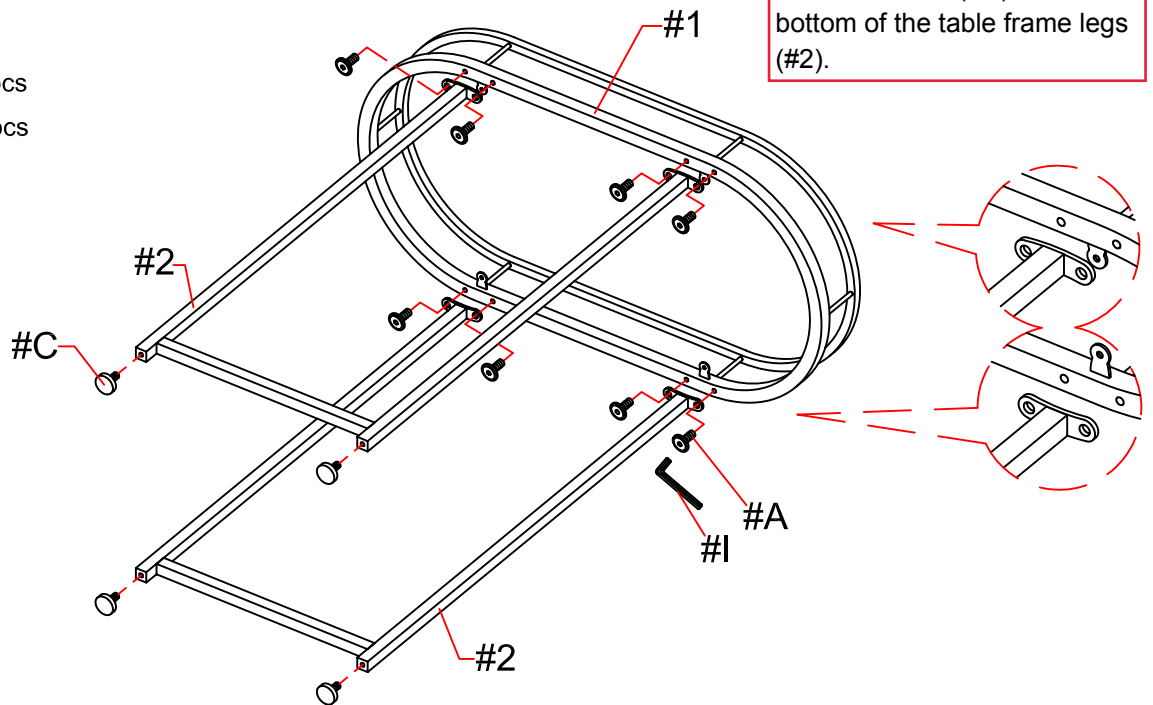


Wrench

# ASSEMBLY INSTRUCTIONS

## 1

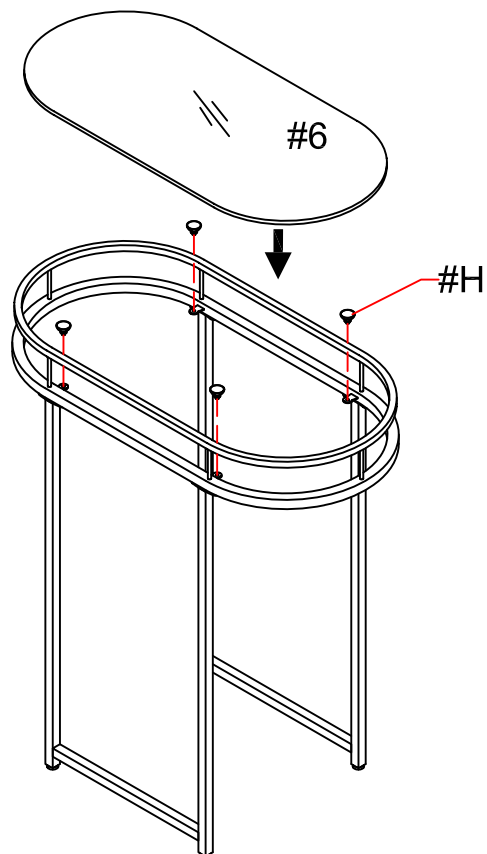
- Part #1 x1pc
- Part #2 x2pcs
- Hardware #A x8pcs
- Hardware #C x4pcs



## 2

- Part #6 x1pc
- Hardware #H x4pcs

Attach suckers (#H) to the tabs, then place the table glass (#6) onto the suckers.

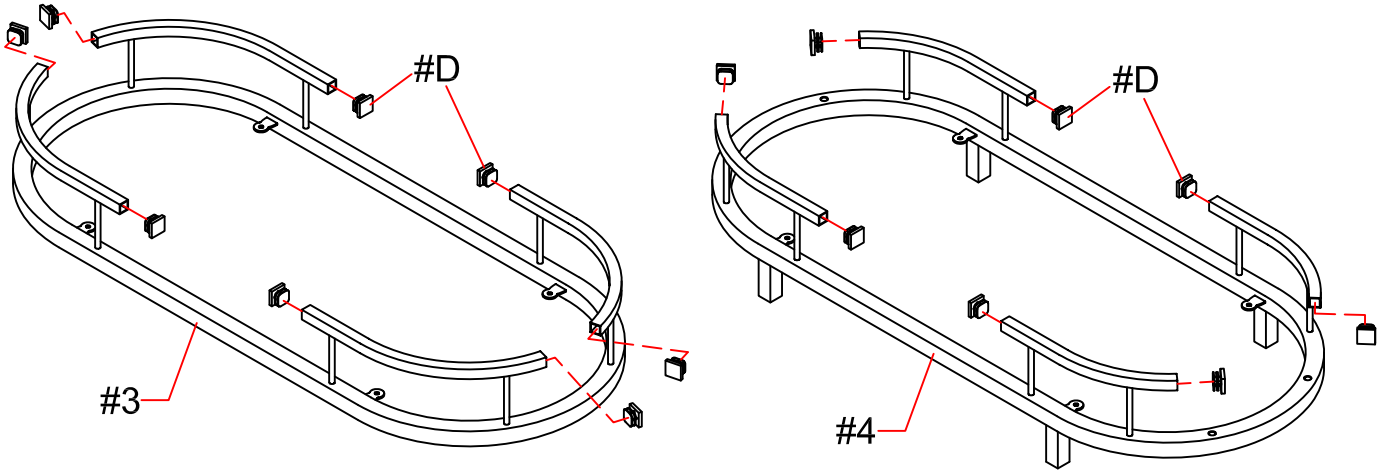


# ASSEMBLY INSTRUCTIONS

## 3

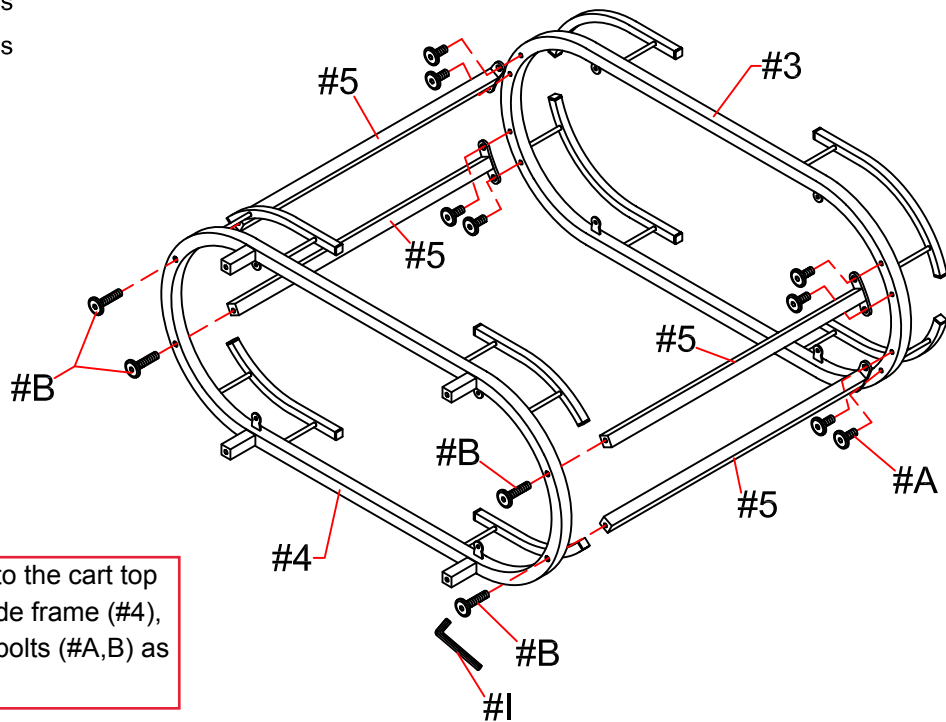
- Part #3 x1pc
- Part #4 x1pc
- Hardware #D x16pcs

Attach plugs (#D) to the cart top and side frames (#3,4).



## 4

- Part #3 x1pc
- Part #4 x1pc
- Part #5 x4pcs
- Hardware #A x8pcs
- Hardware #B x4pcs



Align leg frames (#5) to the cart top frame (#3) and cart side frame (#4), then secure by using bolts (#A,B) as shown in the diagram.

# ASSEMBLY INSTRUCTIONS

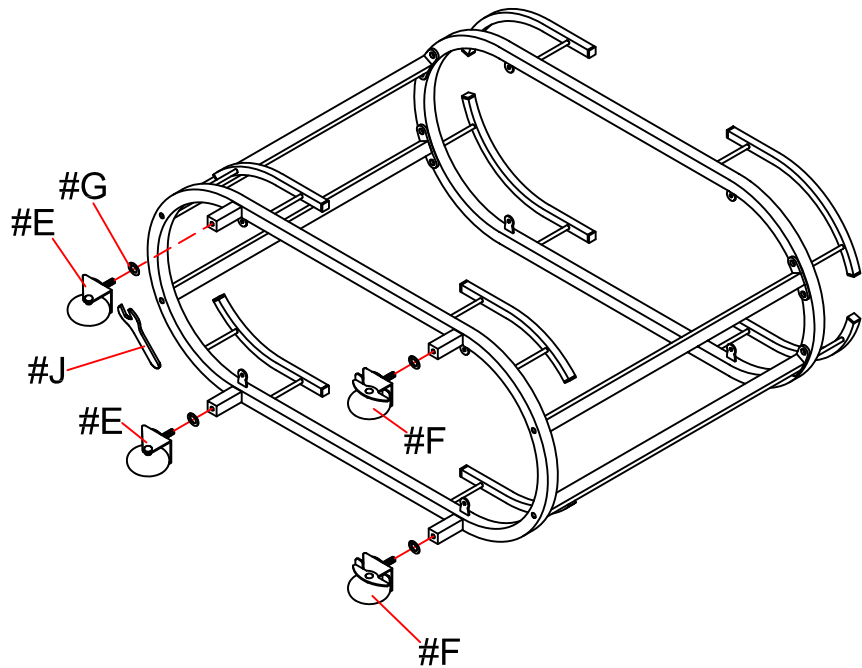
## 5

Hardware **#E** x2pcs

Hardware **#F** x2pcs

Hardware **#G** x4pcs

Align wheels (**#E,F**) to the cart, then secure by using wrench (**#J**) to tighten threaded studs from the wheels (**#E,F**) with washers (**#G**) to the cart.

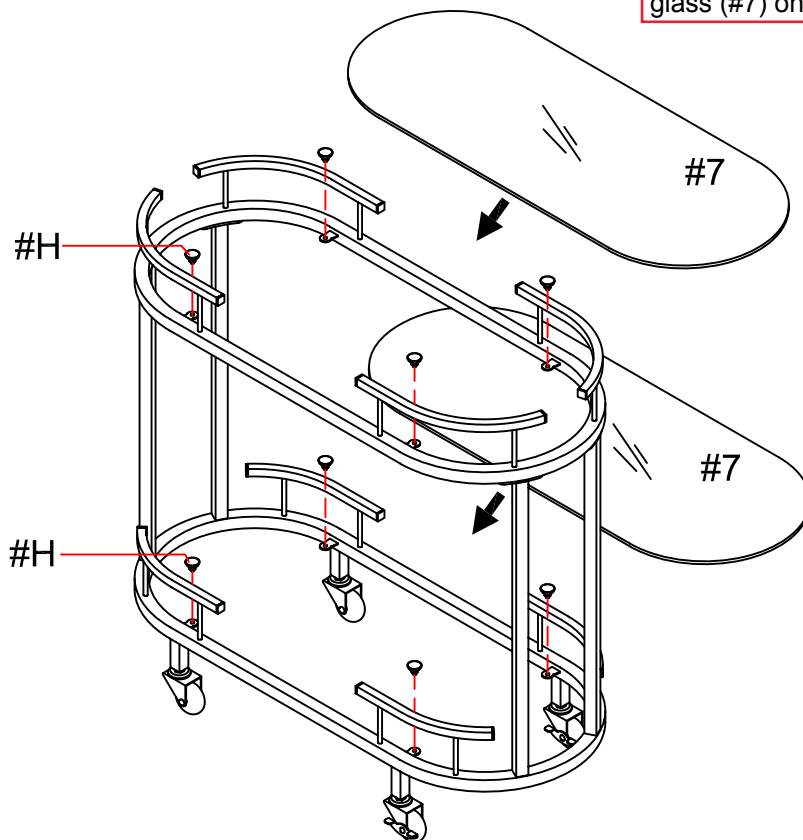


## 6

Part **#7** x2pcs

Hardware **#H** x8pcs

Insert suckers (**#H**) to the tabs of the cart, then place the cart glass (**#7**) onto the suckers.



## ASSEMBLY COMPLETED



Please ensure the furniture rests on an even and flat surface. If the product wobbles or feels loose, double-check all bolts and/or screws are properly tightened and secured.

### ✓ Keep this handy!

Please retain this instruction manual and any order-related information for future reference.

### ✓ Lift, don't drag!

To avoid damage to product please always LIFT the product when transporting or adjusting the placement.