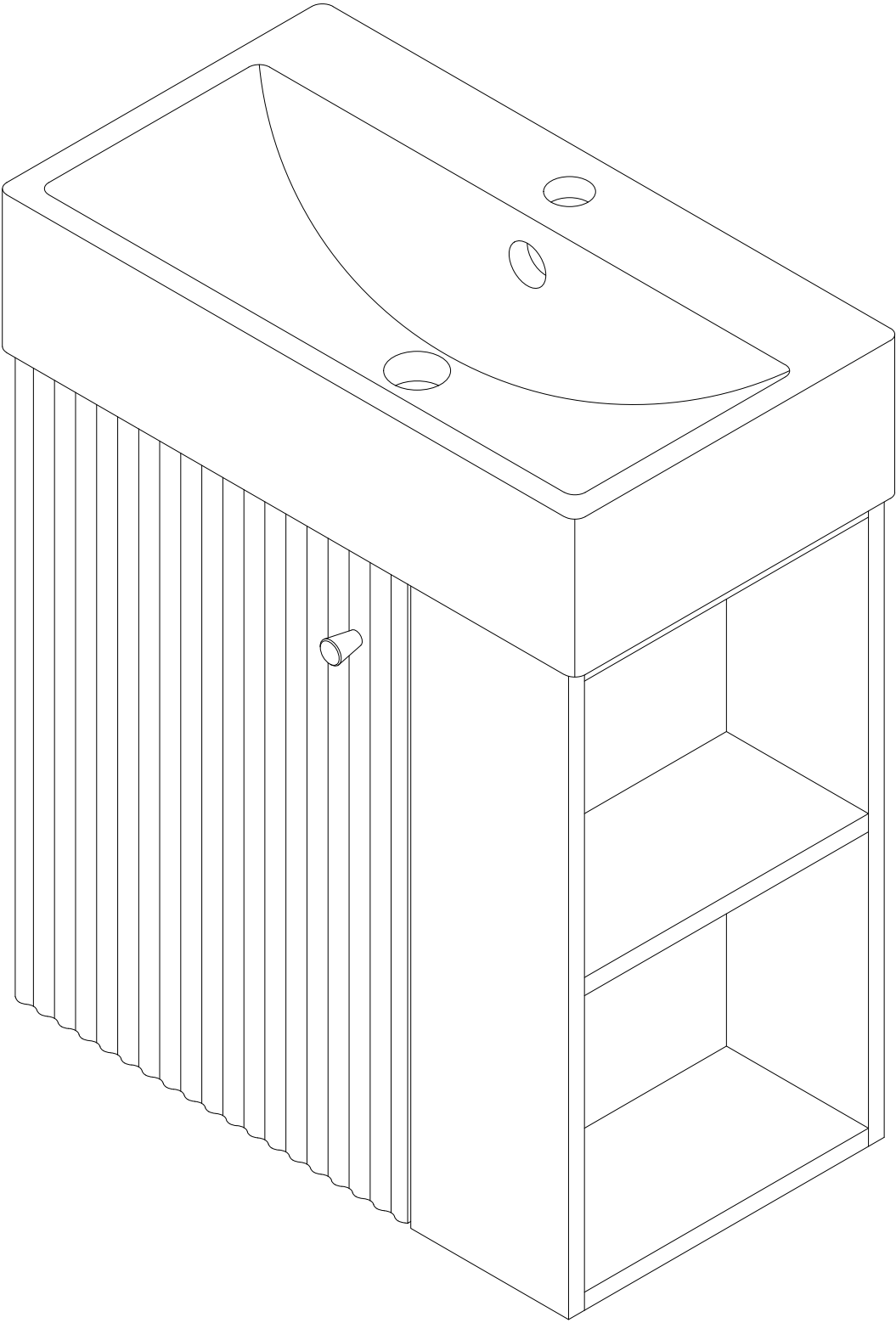
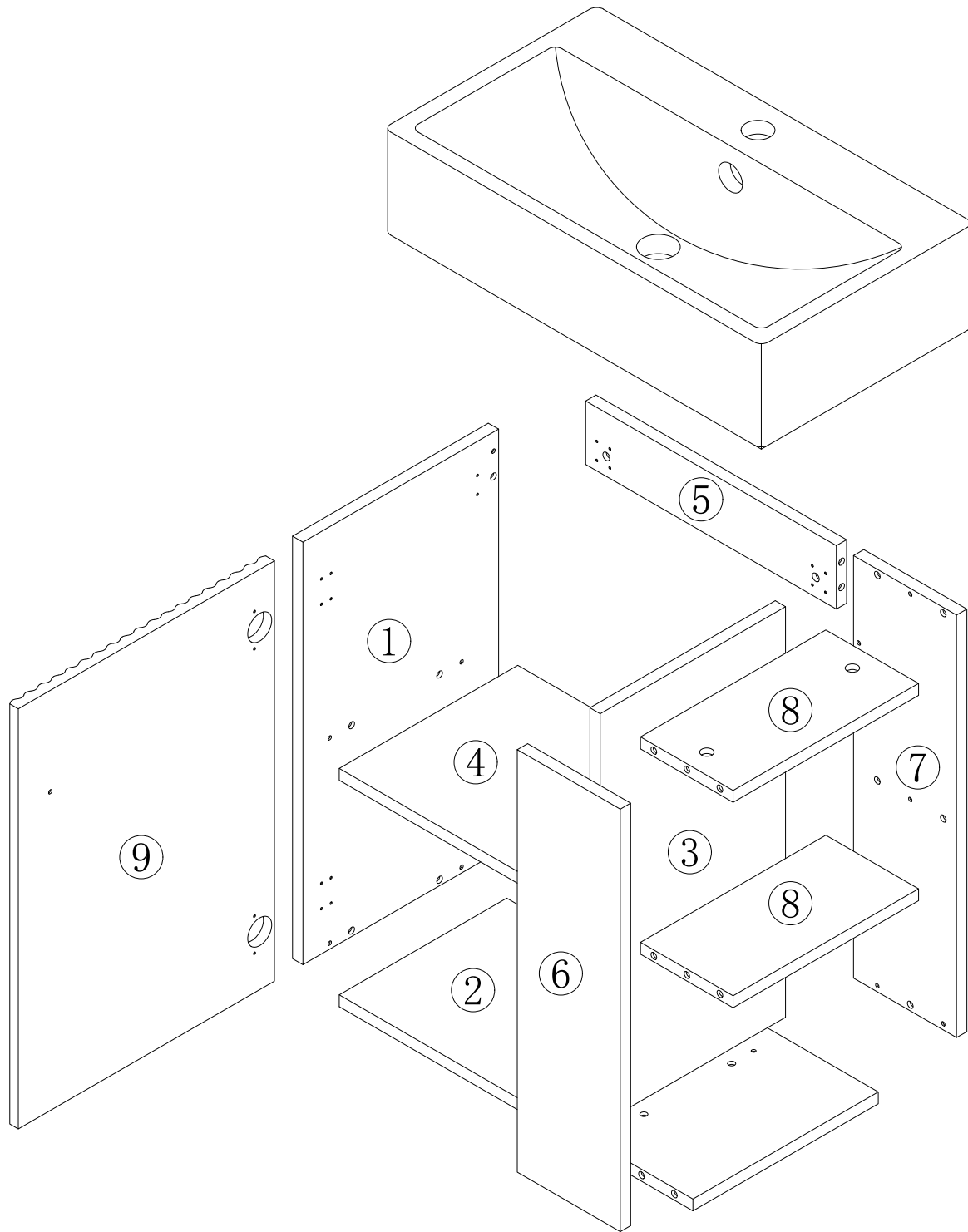
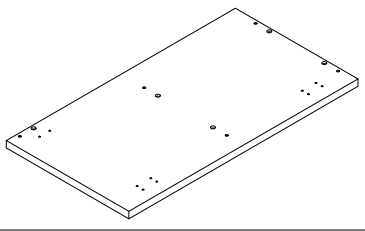
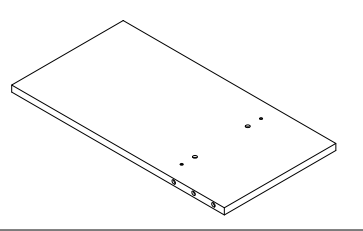
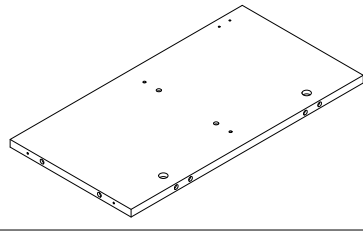
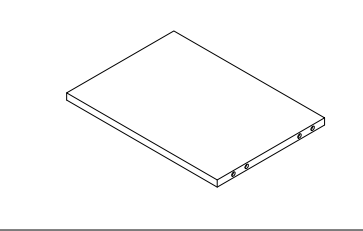
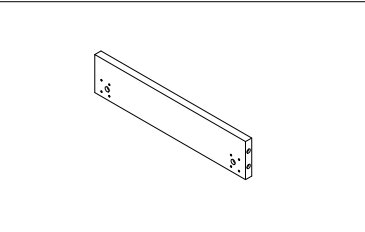
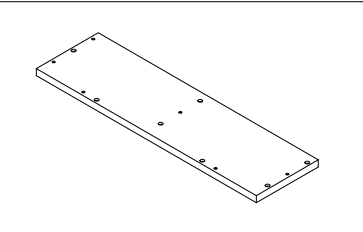
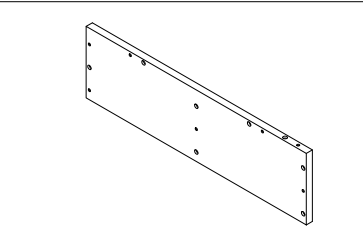
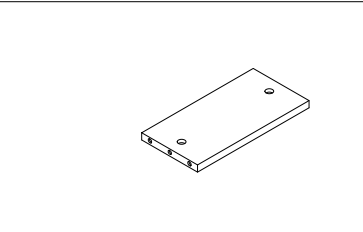
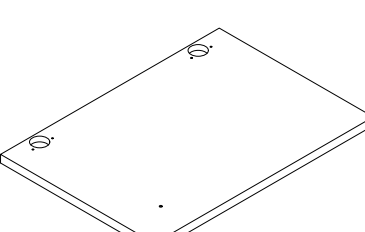


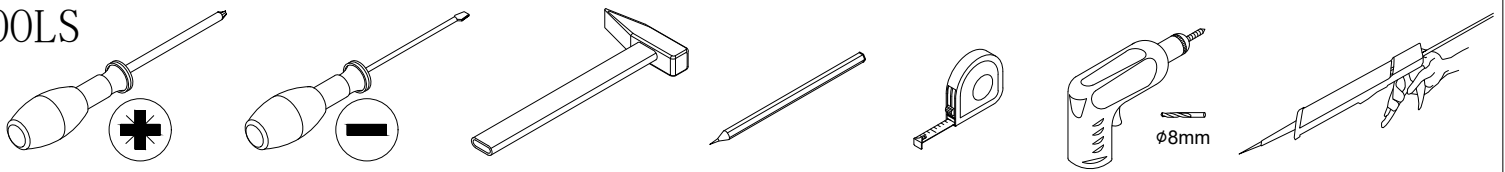
ASSEMBLY INSTRUCTION

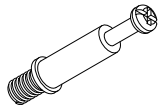
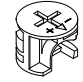



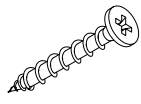

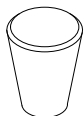
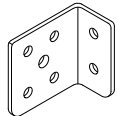
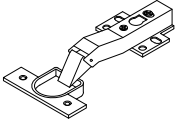

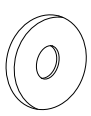
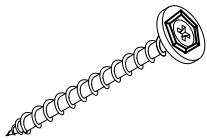
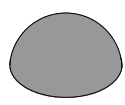






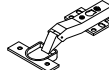
			
① x1	② x1	③ x1	④ x1
			
⑤ x1	⑥ x1	⑦ x1	⑧ x2
			
⑨ x1			

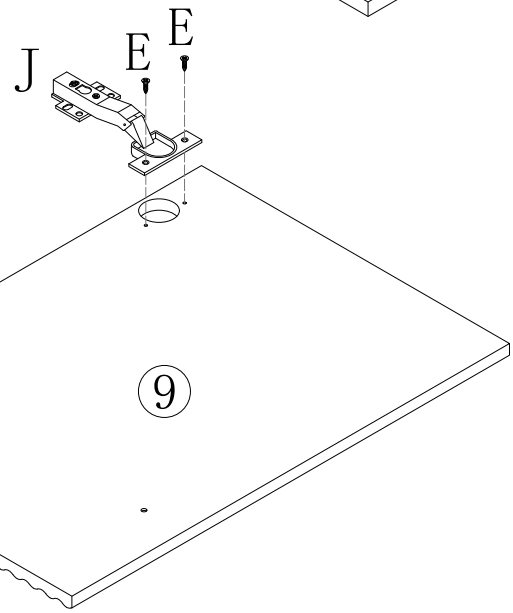
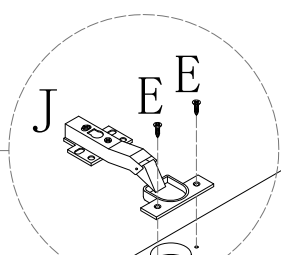
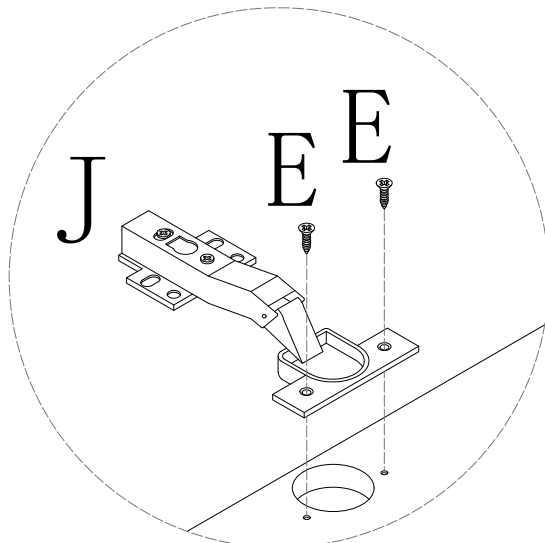
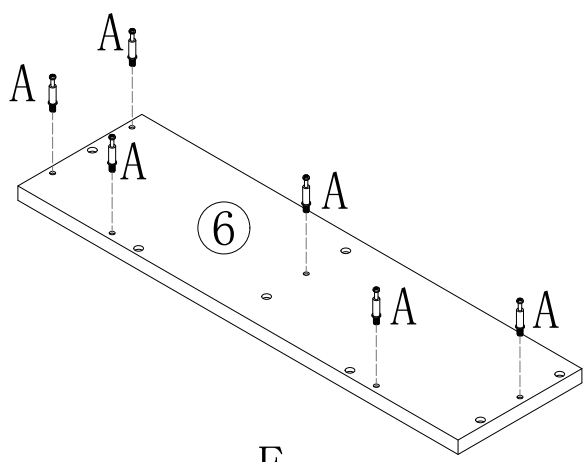
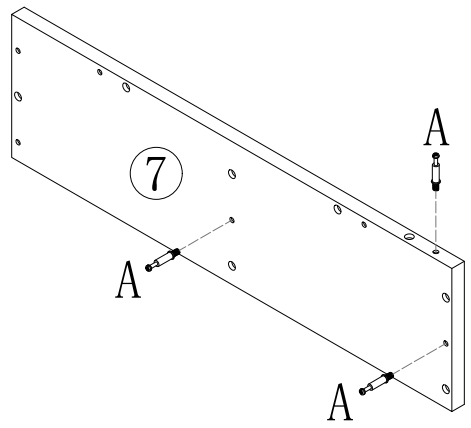
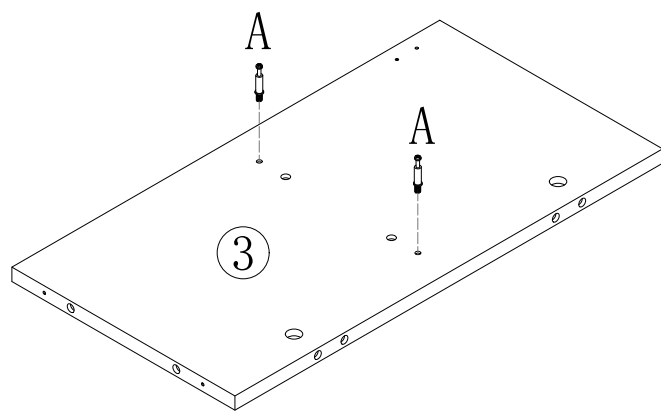
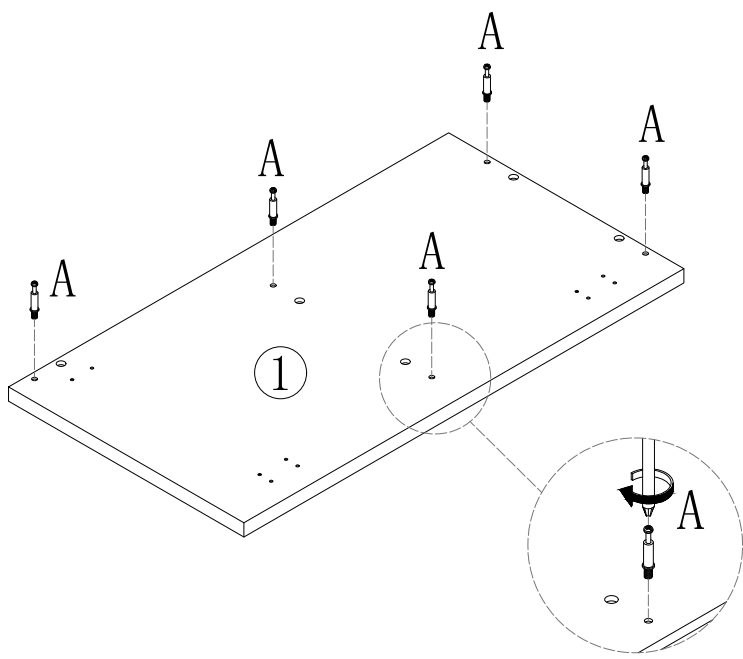
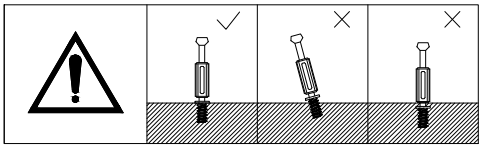
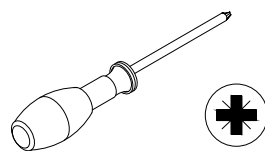
TOOLS





A * 16	B * 16	C * 24	D * 12	E * 12
				
M6 X 35mm	Ø15 x 12mm	Ø8 x 30mm	M4 x 14mm	M4 x 14mm
F * 6	G * 1	H * 1	I * 2	J * 2
				
M5 x 40mm	M4 x 20mm			Ø35
K * 2	L * 2	M * 2	N * 4	
				
Ø8 x 40mm	Ø20	M6 x 60mm		

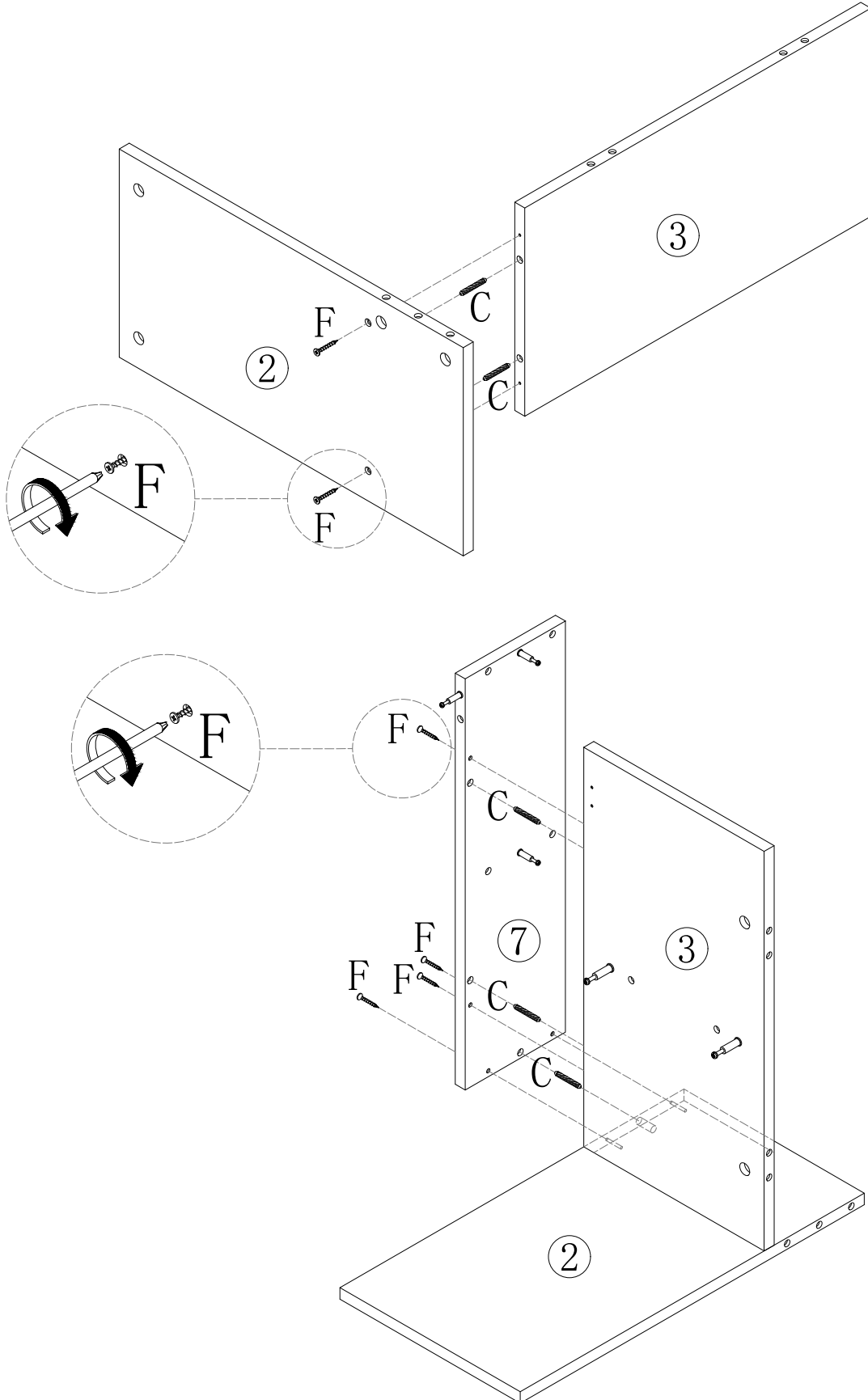
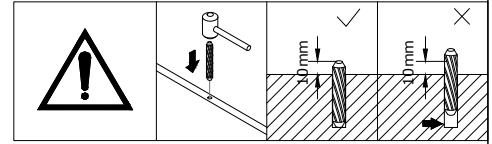
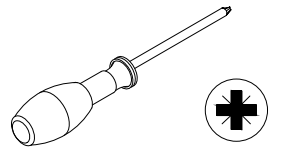
Step 1

A * 16	E * 4	J * 2
		
M6 X 35mm	M4 x 14mm	Ø35





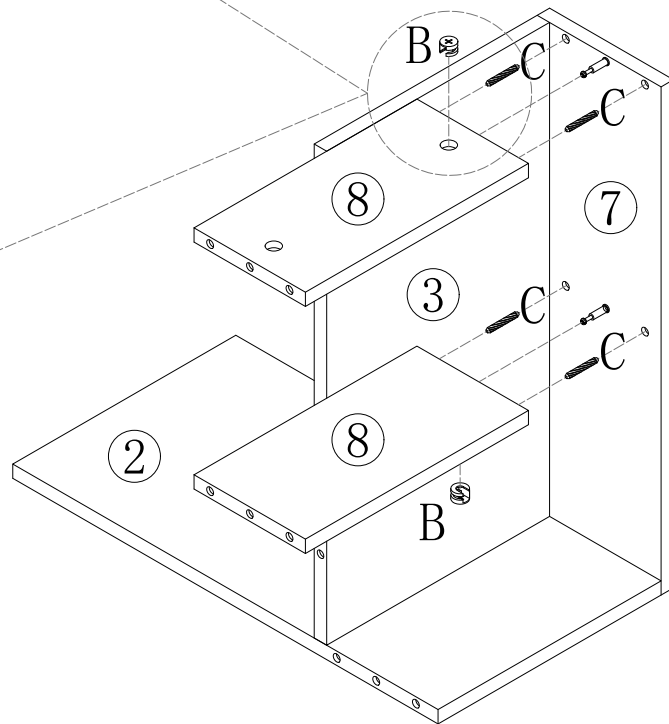
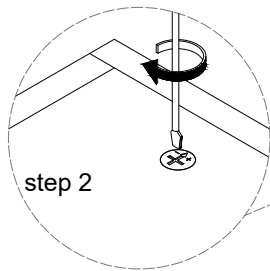
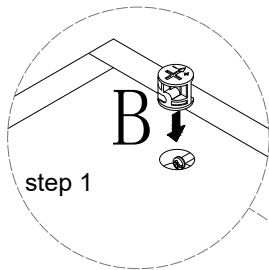
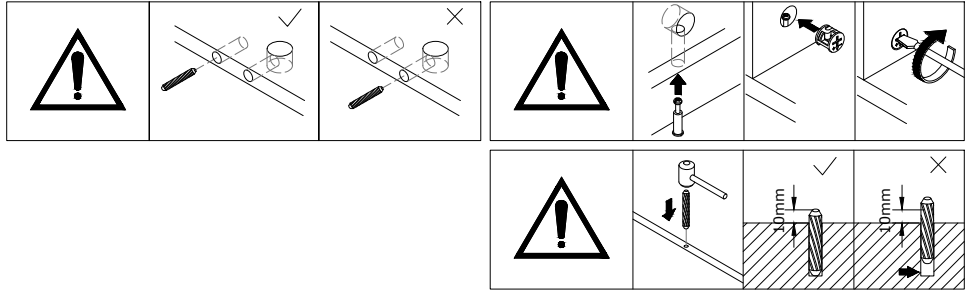
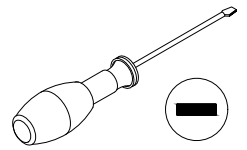
Step 2

C * 5	F * 6
 Ø8 X 30mm	 M5 X 40mm





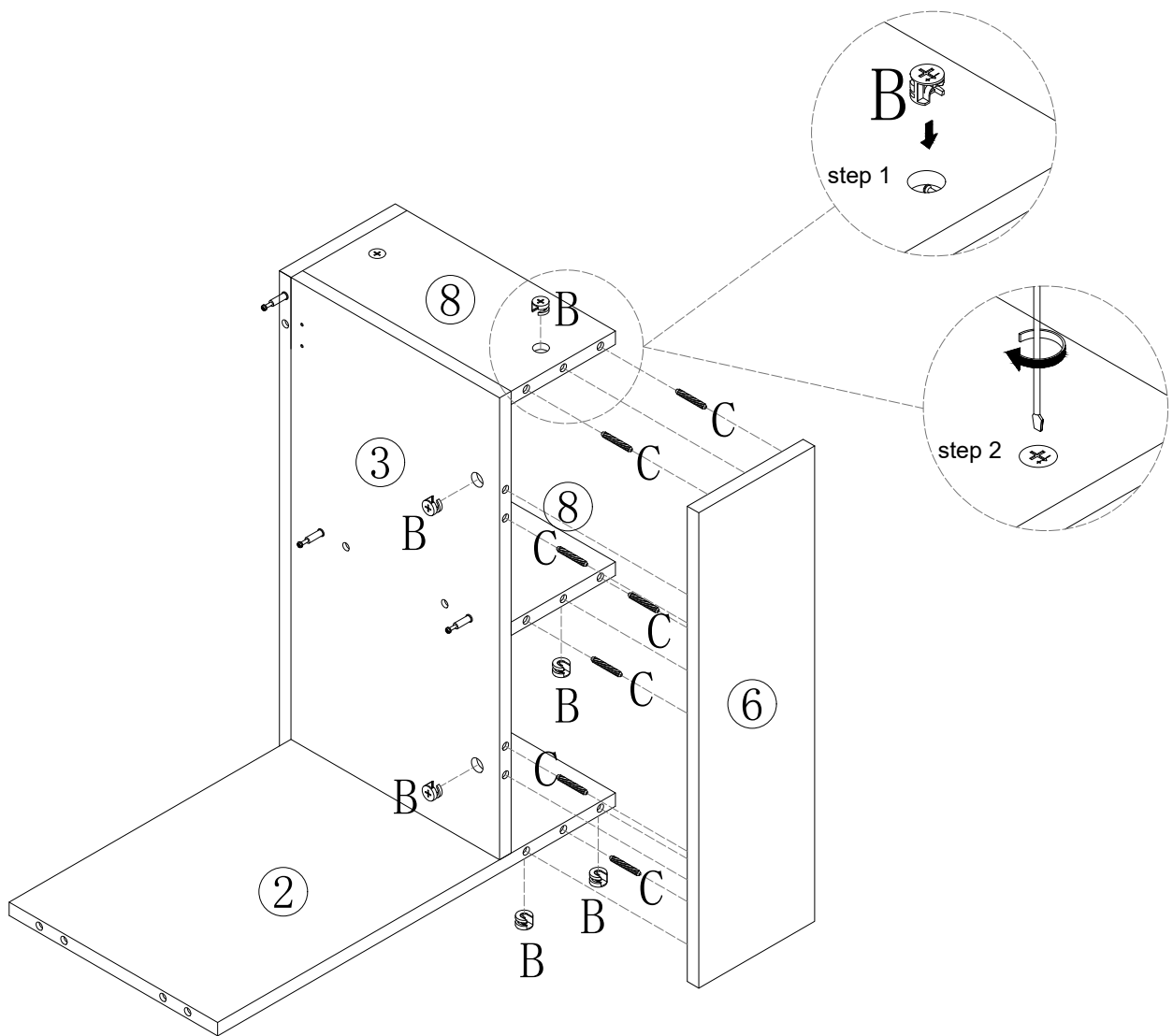
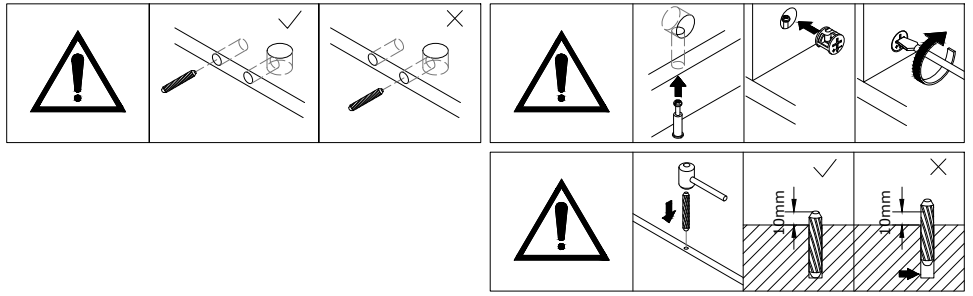
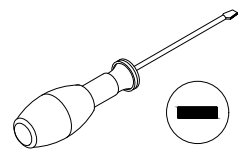
Step 3

B * 2	C * 4
 Ø15 x 12mm	 Ø8 x 30mm





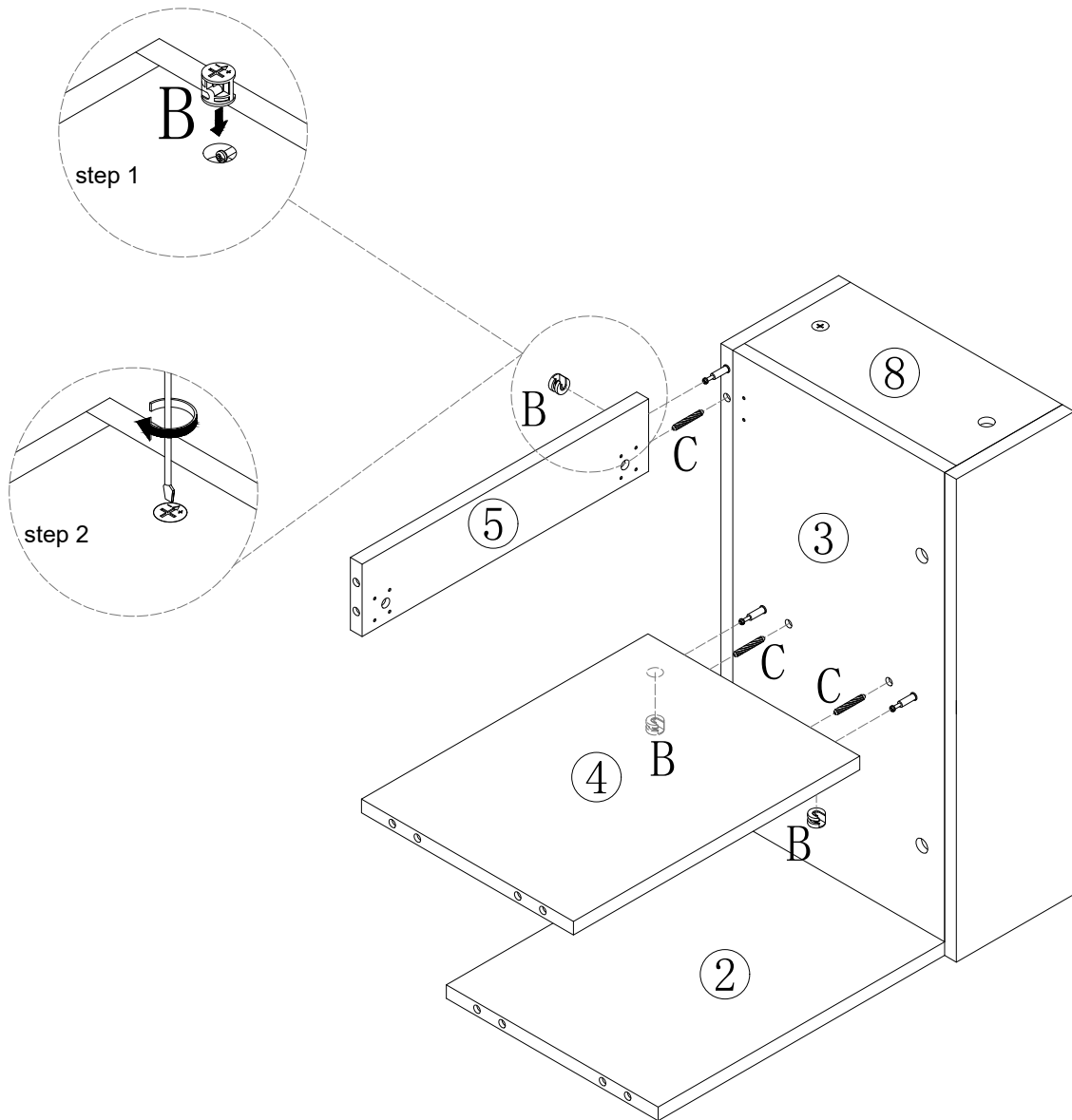
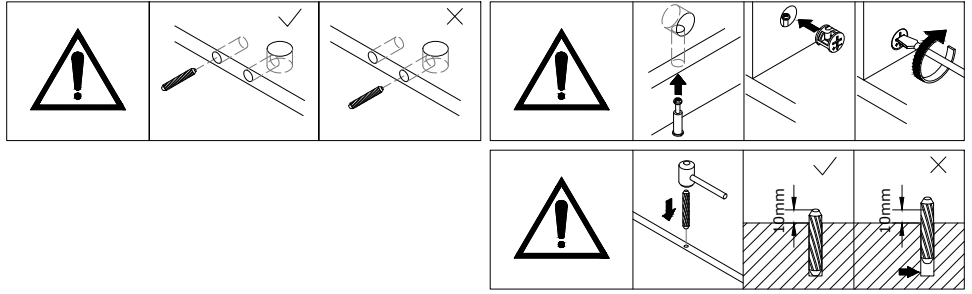
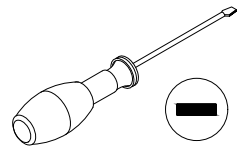
Step 4

B * 6	C * 7
 Ø15 x 12mm	 Ø8 x 30mm





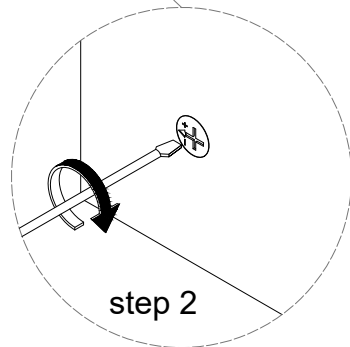
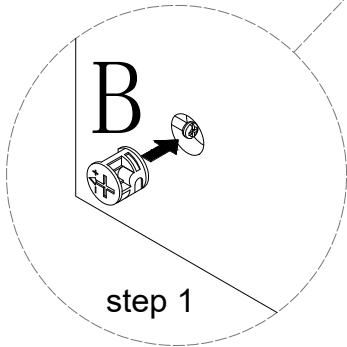
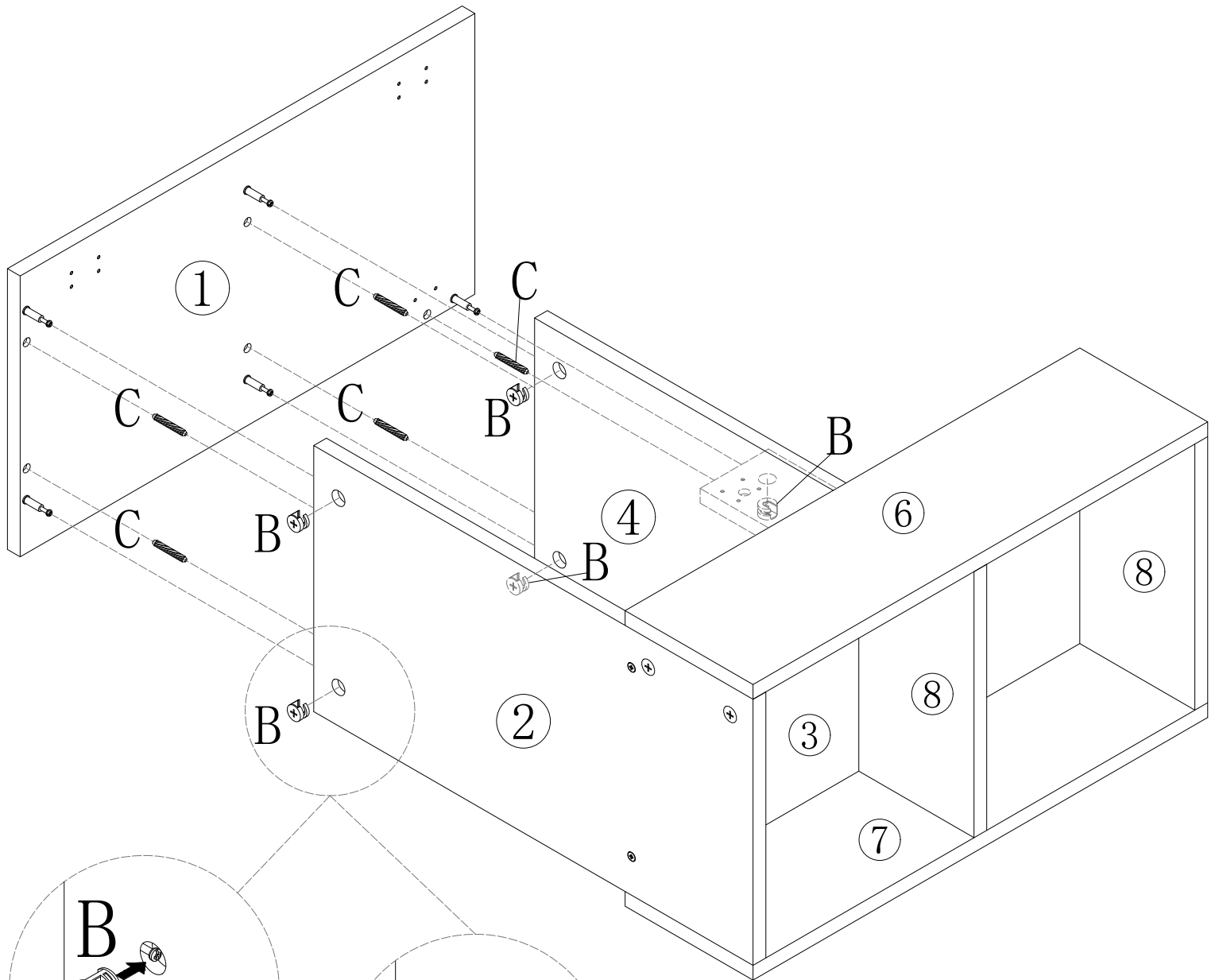
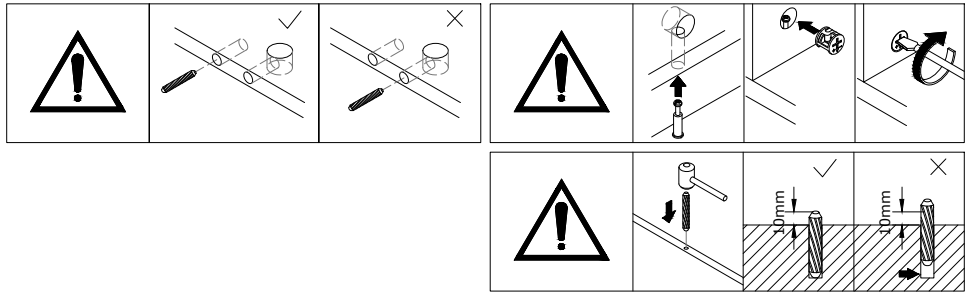
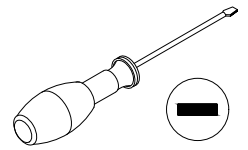
Step 5

B * 3  Ø15 x 12mm	C * 3  Ø8 x 30mm
--	---


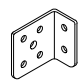


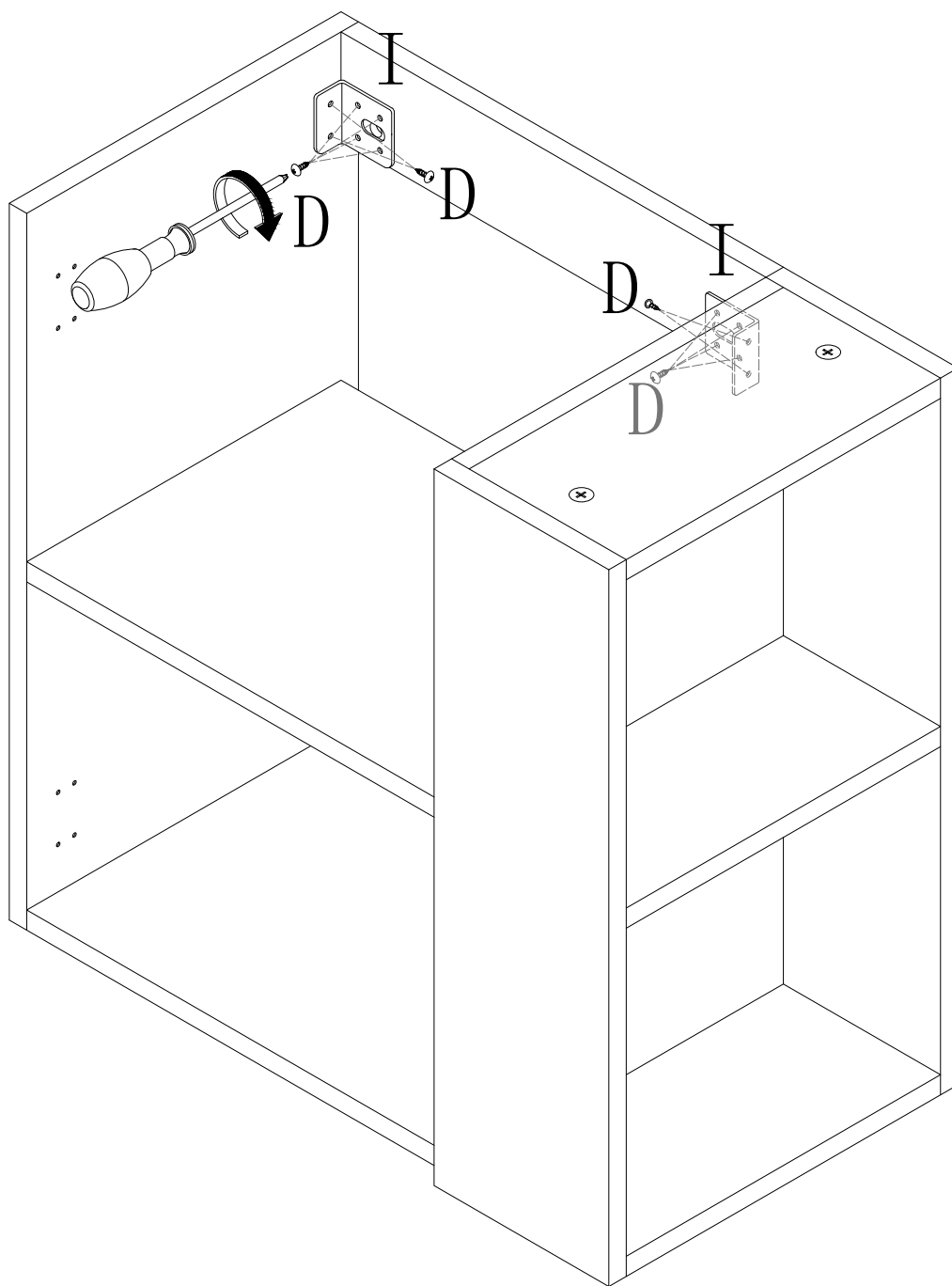
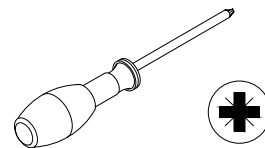
Step 6

B * 5  Ø15 x 12mm	C * 5  Ø8 x 30mm
--	---

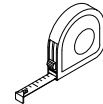
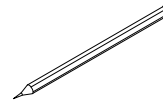


Step 7

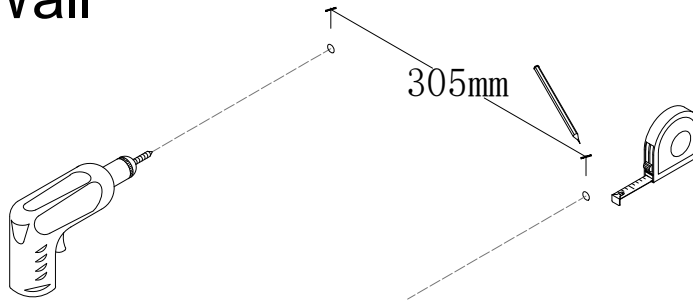
D * 12	I * 2
 M4 x 14mm	



Step 8




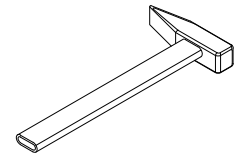
Wall



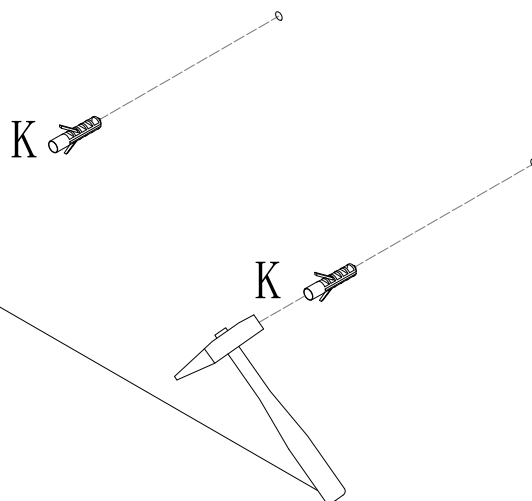
Please mark the location on the wall with a pencil, then punch the hole. You can determine the height of the vanity according to your needs.

Setp 9



K * 2

Ø8 x 40mm

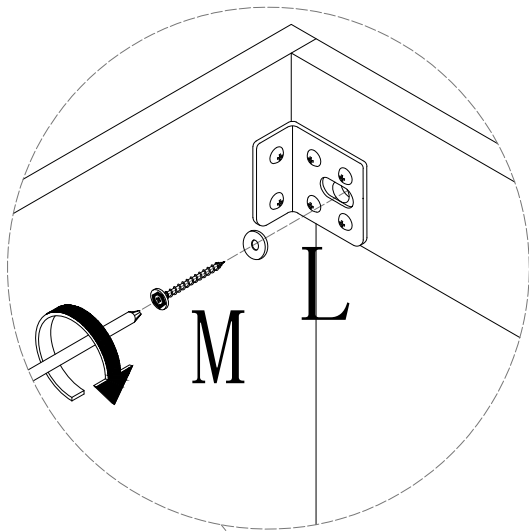
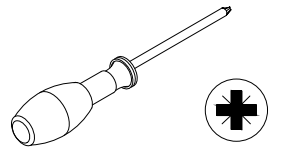


Wall

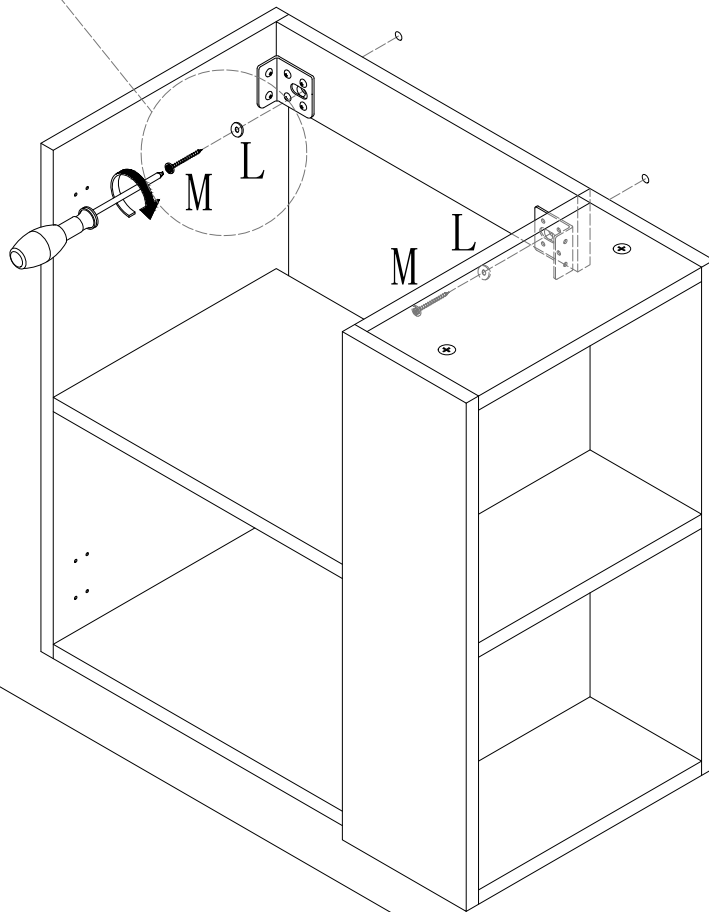


Step 10




L * 2	M * 2
 Ø16	 M6 x 60mm

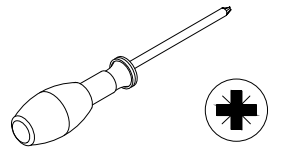


Wall

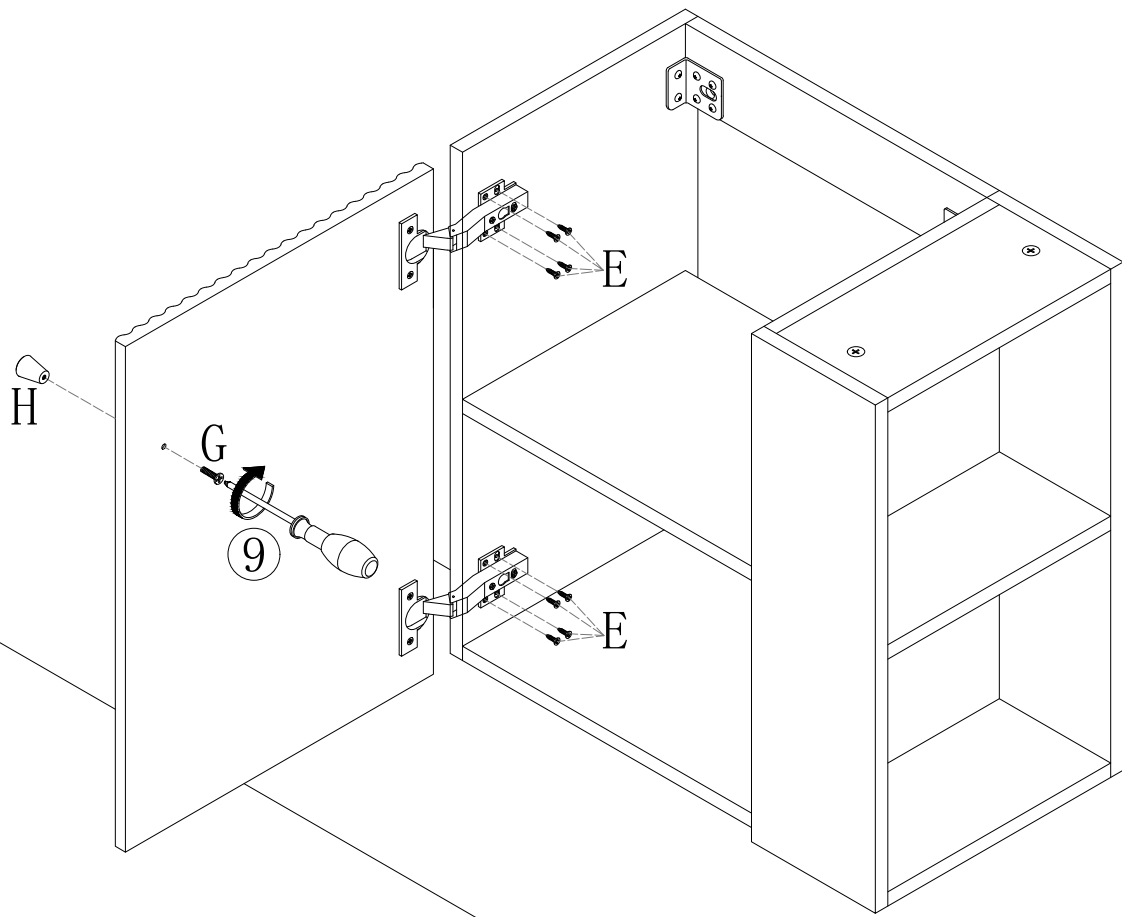


Step 11

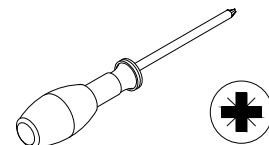
E * 8	G * 1	H * 1
		
M4 x 14mm	M4 x 20mm	



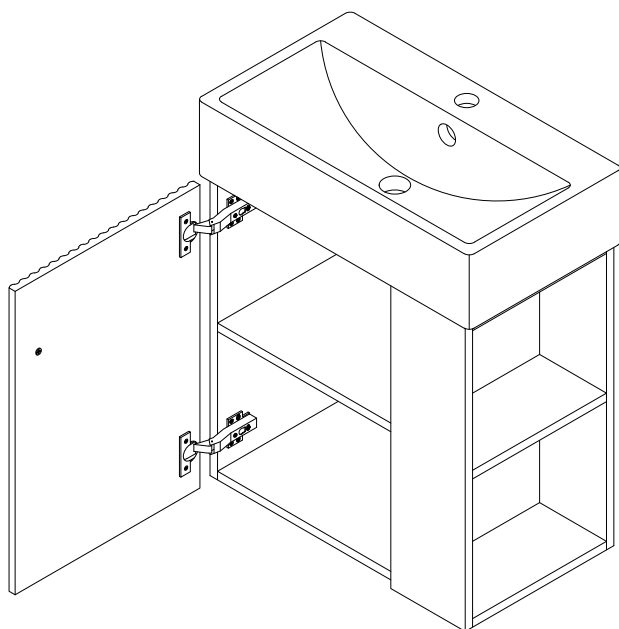
Wall



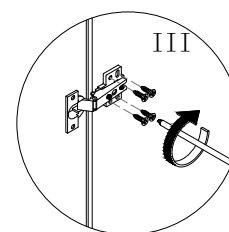
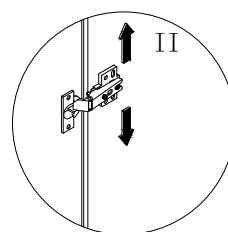
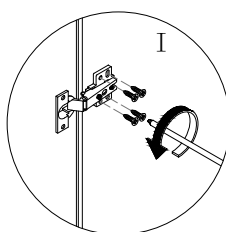
Step 12



Adjust door following the direction.



Adjust the door up and down to match the cabinet.



I:loosen the screw.

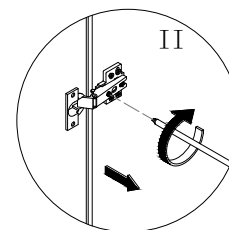
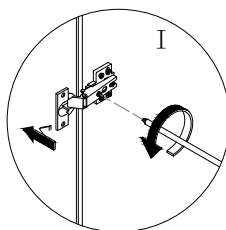
II:Adjust the upper and lower position.

II:tighten the screw.



When the door position is not standard,please adjust the door according to the right picture.

Adjust the door left and right to match the cabinet for suitable crack of the door



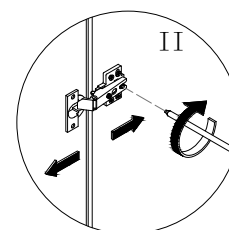
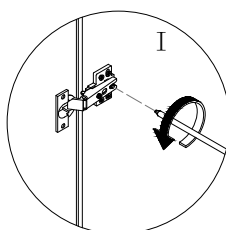
I:loosen the screw to keep hinge apply force toward the direction of arrow.

II:tighten the screw to keep hinge apply force toward the direction of arrow.



Please place the cabinet on the flat floor before adjustment.

Adjust the door backwards and forwards to match the cabinet.

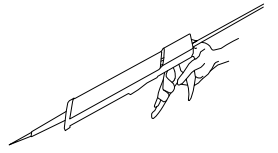


I:loosen the screw.

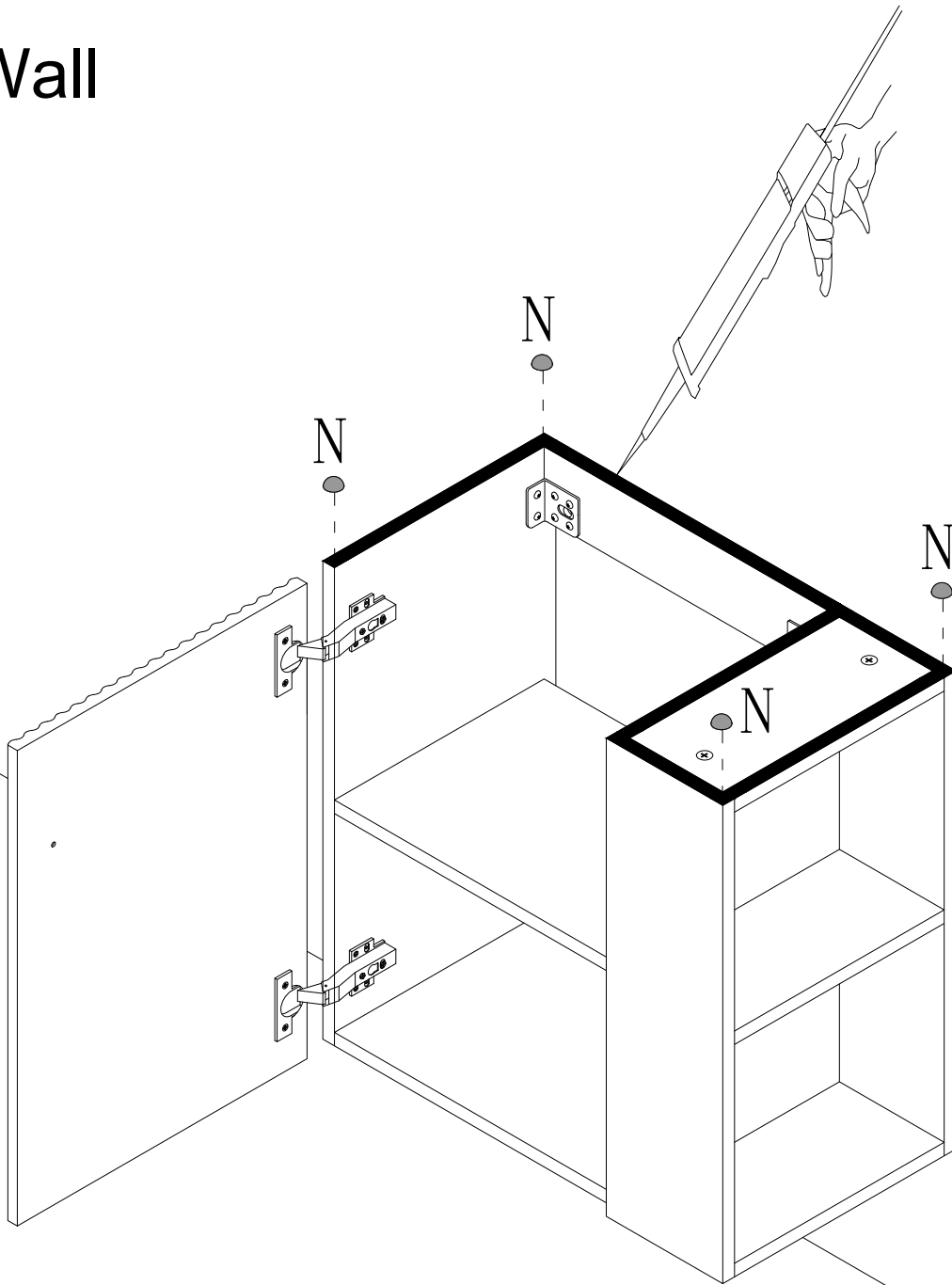
II:Adjust the distance between front and back.

Step 13

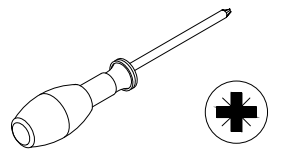
N * 4



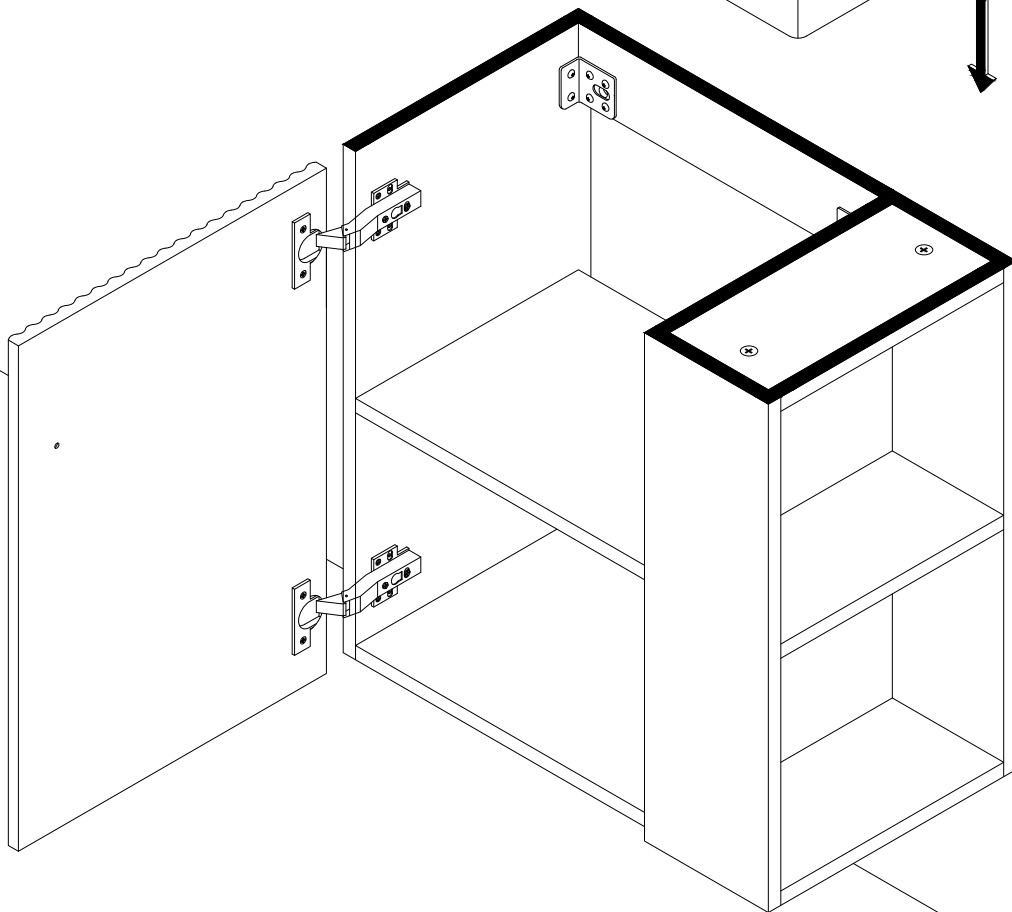
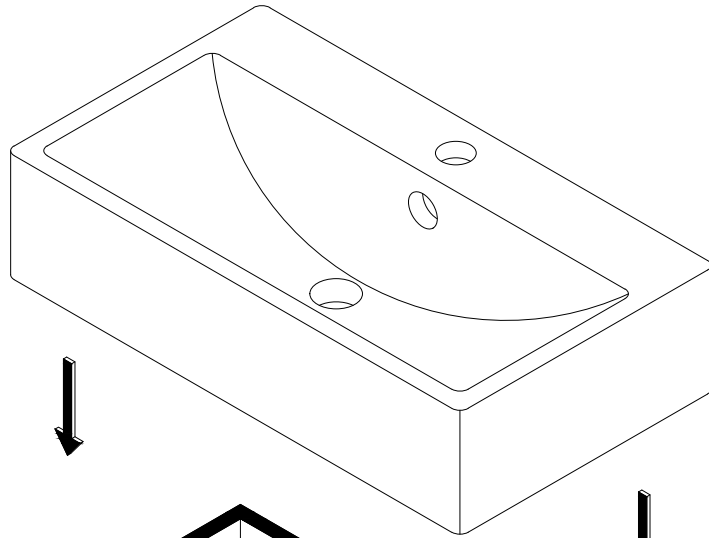
Wall



Step 14



Wall



Step 15

