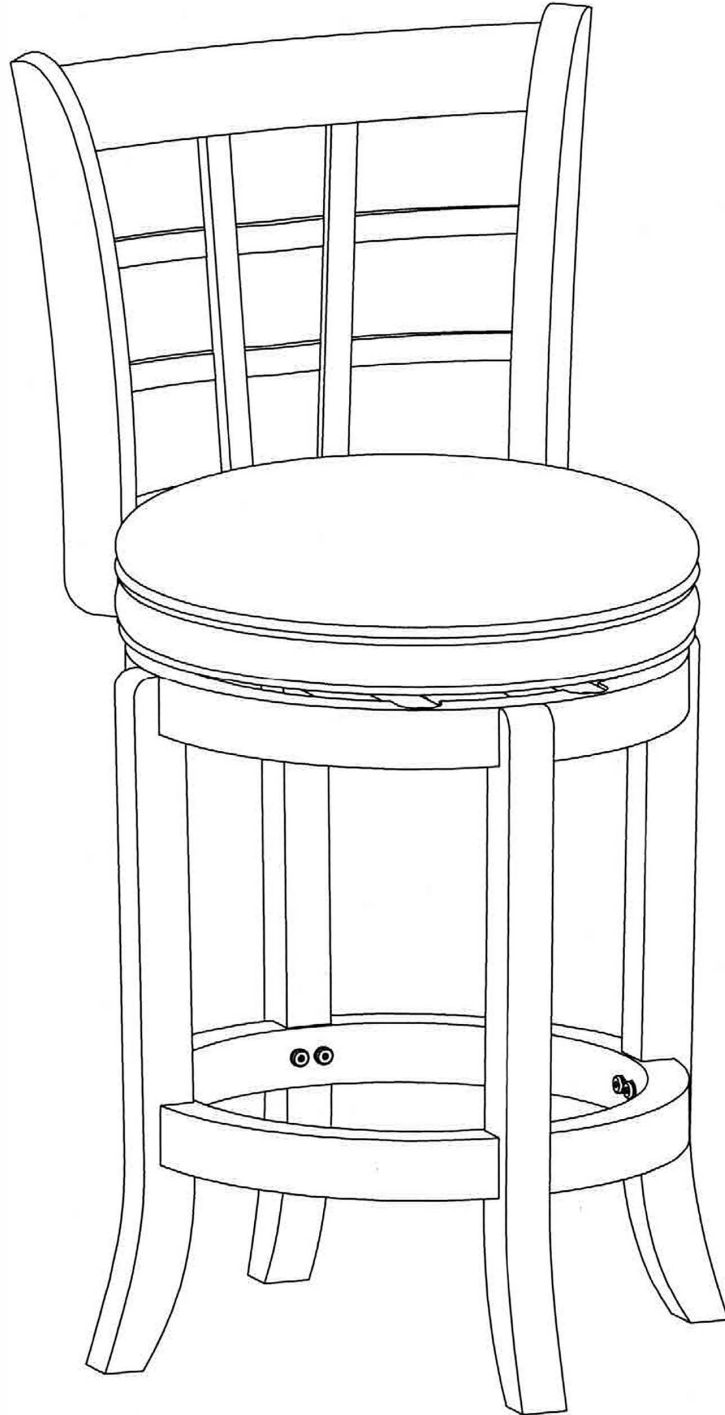


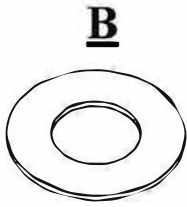
# SWIVEL STOOL

## ASSEMBLY INSTRUCTIONS

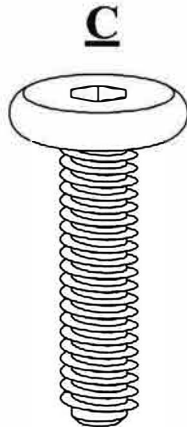




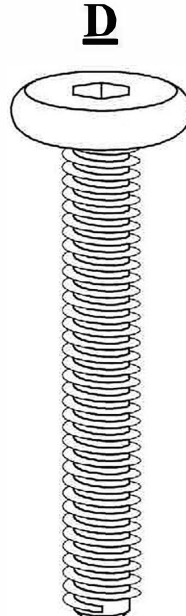
22 PCS



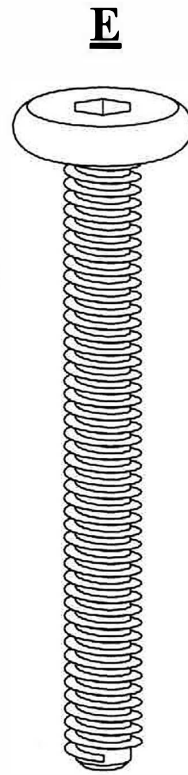
26 PCS



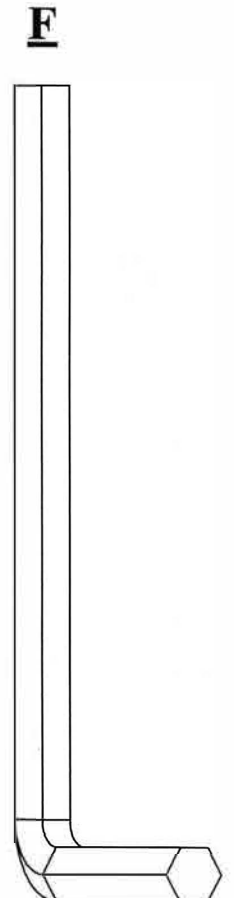
4 PCS



16 PCS

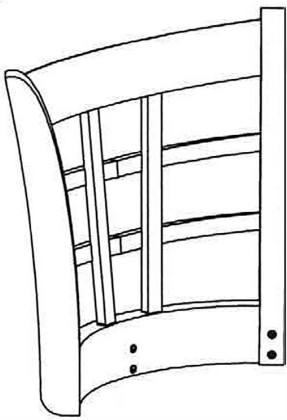


6 PCS

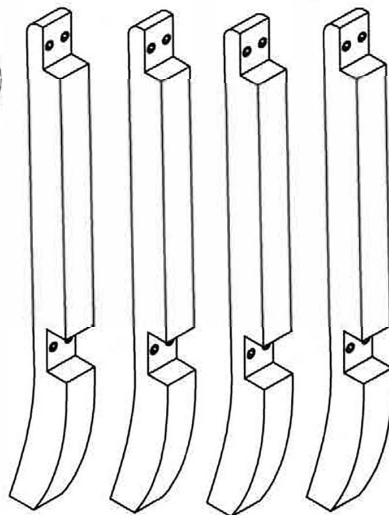


1 PC

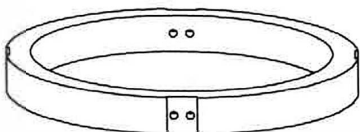
1



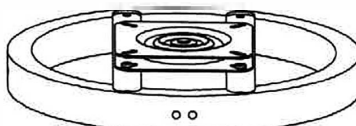
2



3



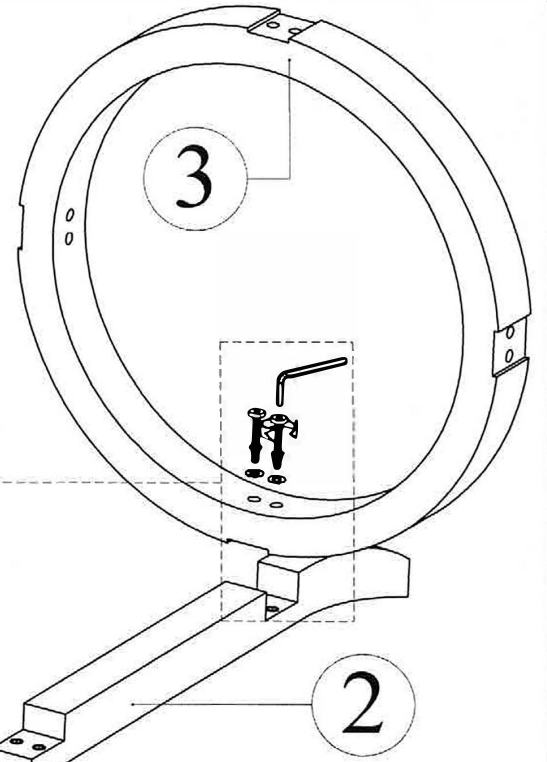
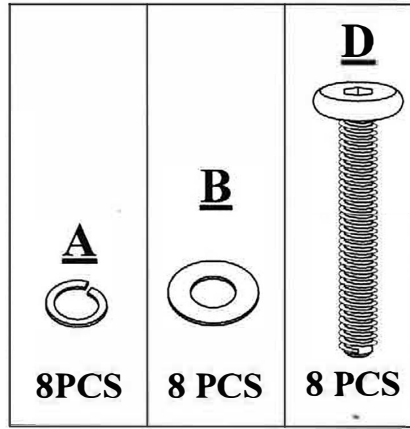
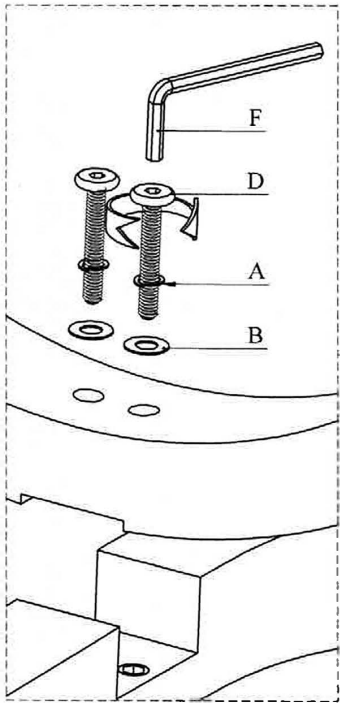
4



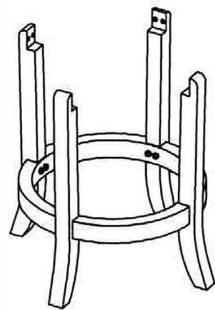
5



# 01

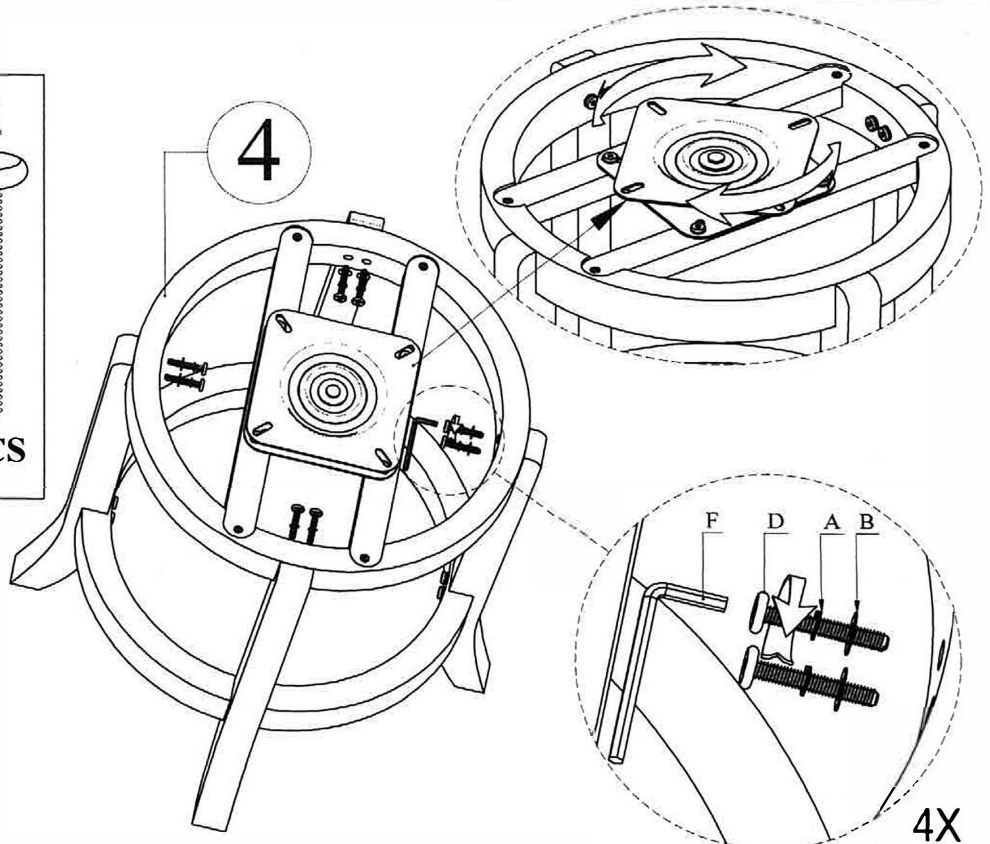
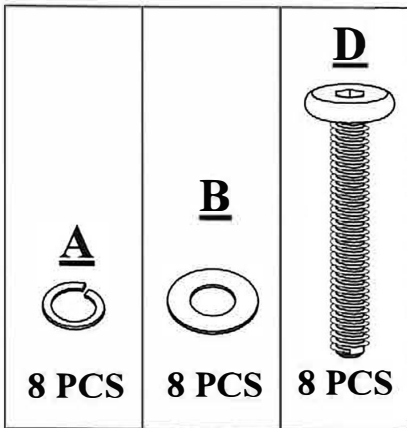


4X



DO NOT TIGHTEN BOLT COMPLETELY.

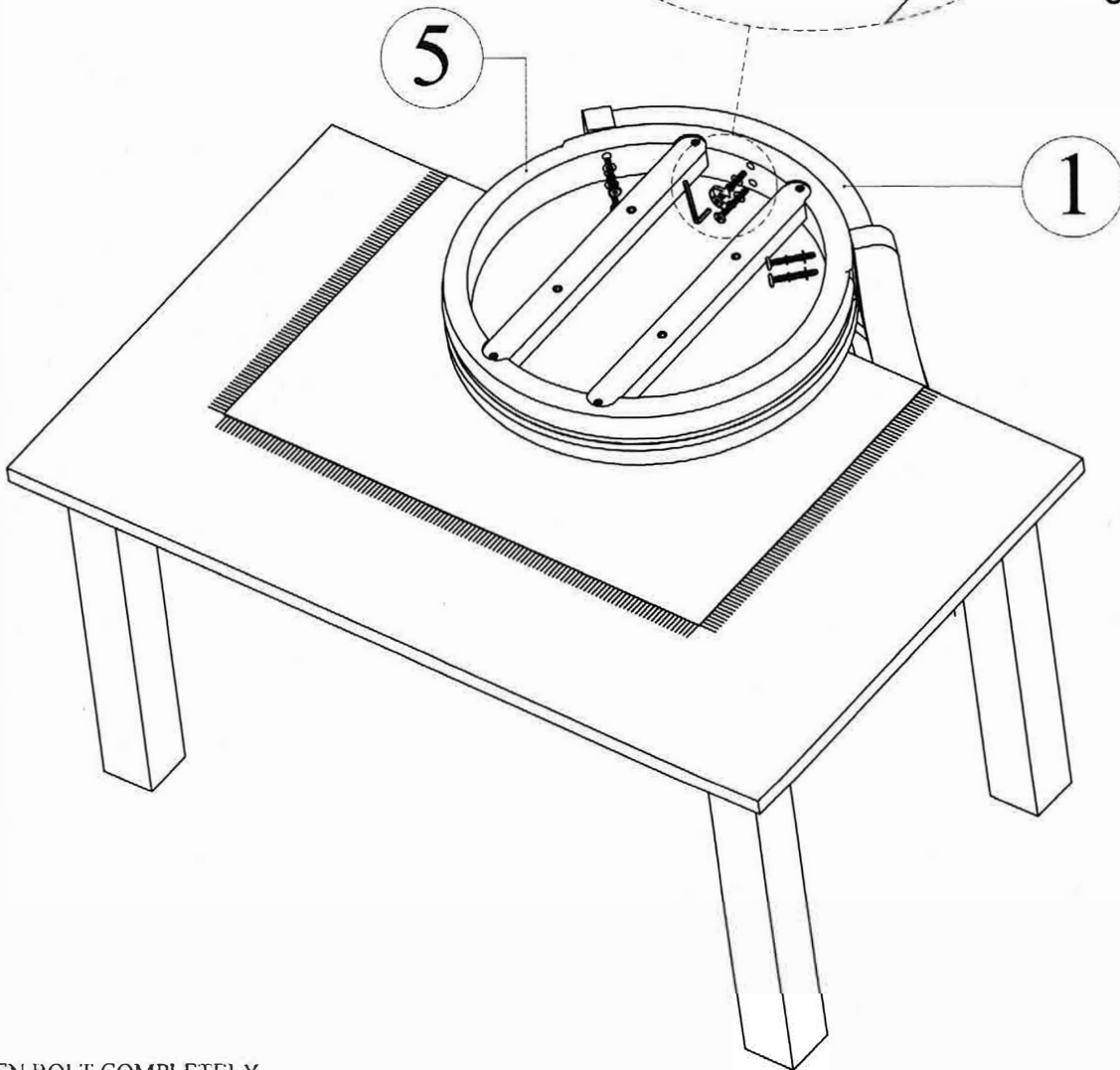
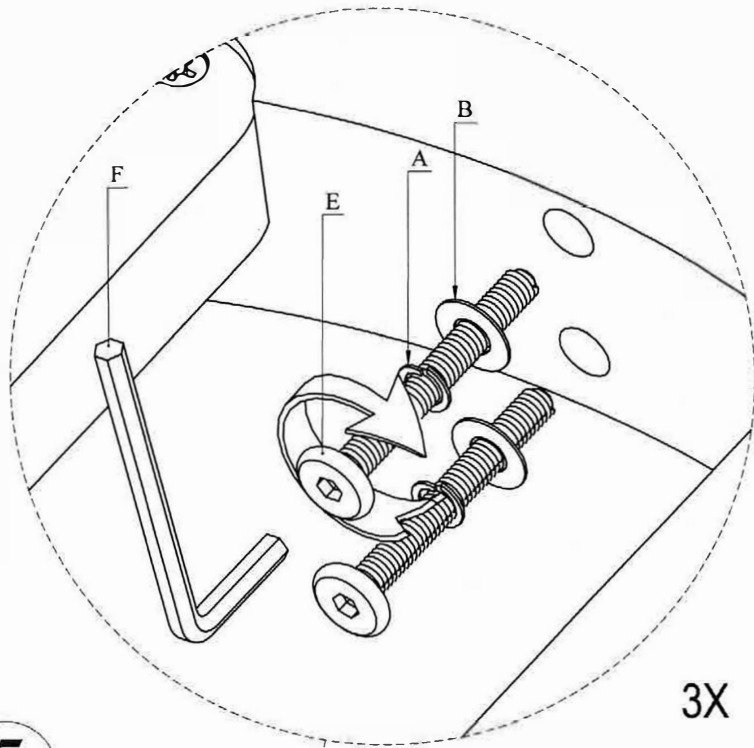
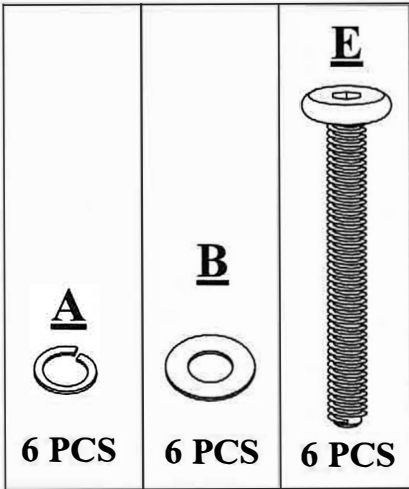
# 02



TIGHTEN BOLT COMPLETELY.

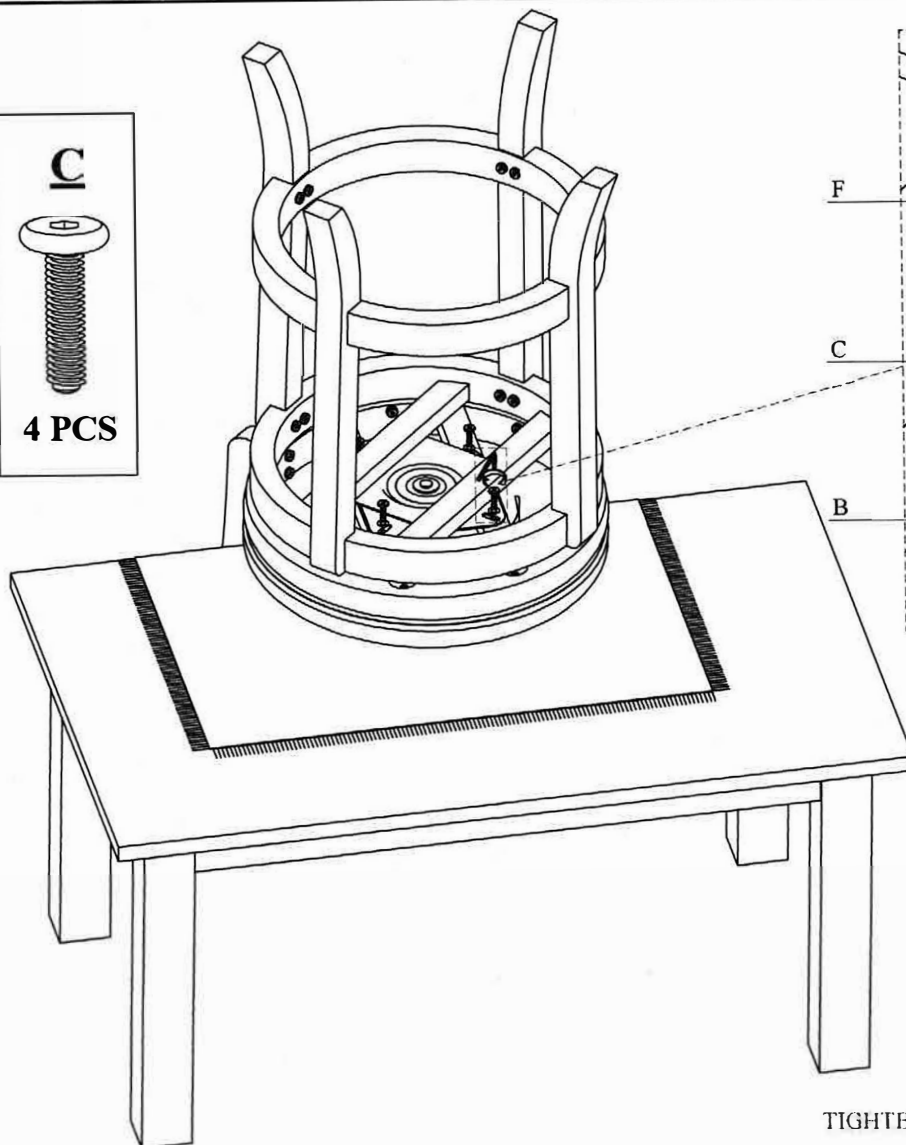
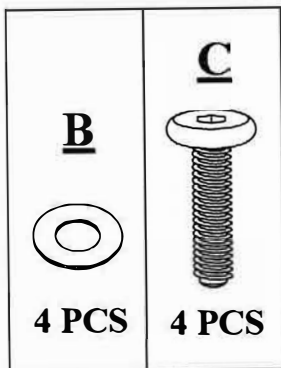
4X

# 03

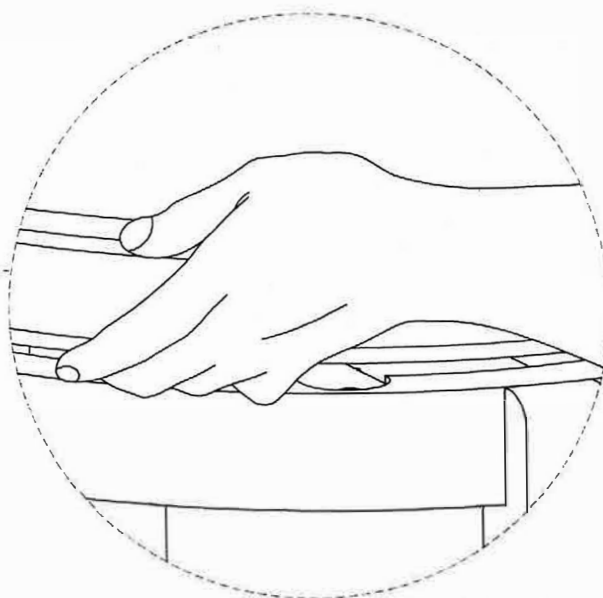
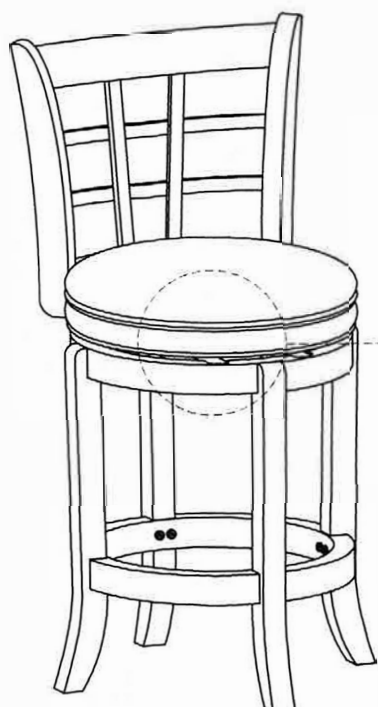


TIGHTEN BOLT COMPLETELY.

# 04



TIGHTEN BOLT COMPLETELY.



BE SURE TO CHECK ALL BOLTS ARE SECURELY TIGHTENED PRIOR USING THIS STOOL.