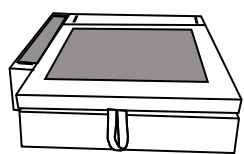
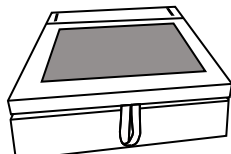


Parts List



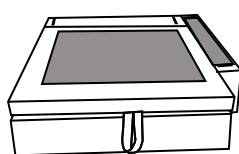
Right-stand

A X 1



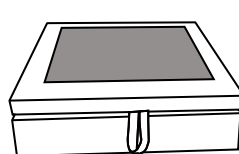
Center seat frame

B X 2



Left-stand

C X 1



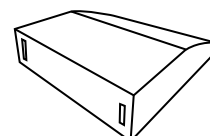
Footrest

D X 2



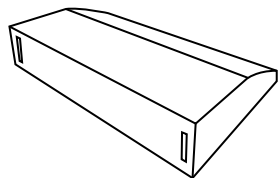
Snap link piece

E X 6 (3 spare)



Armrests

F X 2



Backrest

G X 4



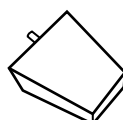
Seat bag

H X 6



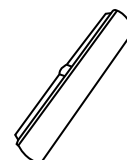
Cushion bag

I X 4



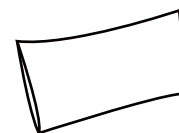
Foot

J X 24



Metal pins

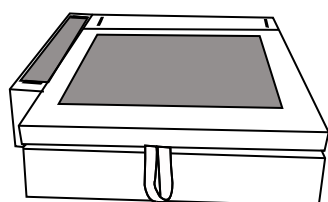
K X 12



Armrest pillow

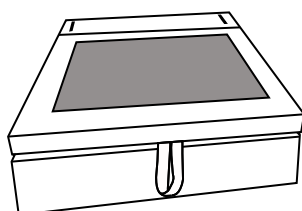
L X 2

Installation method



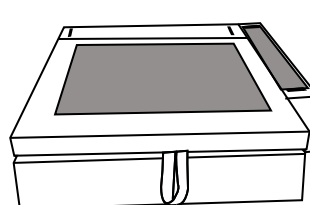
Right-stand

A X 1



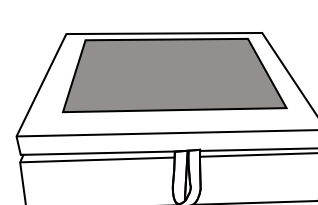
Center seat frame

B X 2



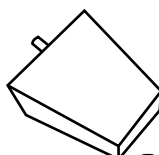
Left-stand

C X 1



Footrest

D X 2



Foot J X 24

WF306357 BOX 4-1:

$A*1+C*1+G*2+F*2+$

$E*6+K*12+J*16$

WF306358 BOX 4-2:

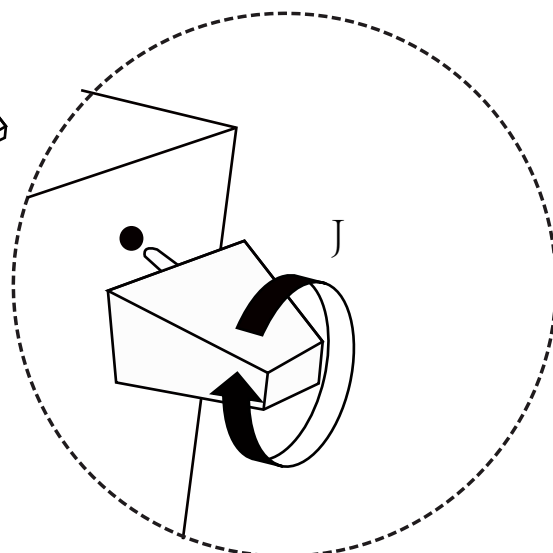
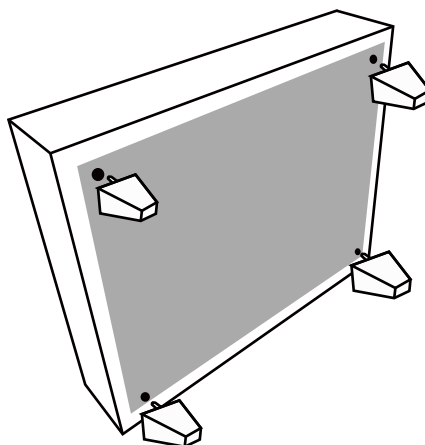
$B*2+G*2+I*2+H*1$

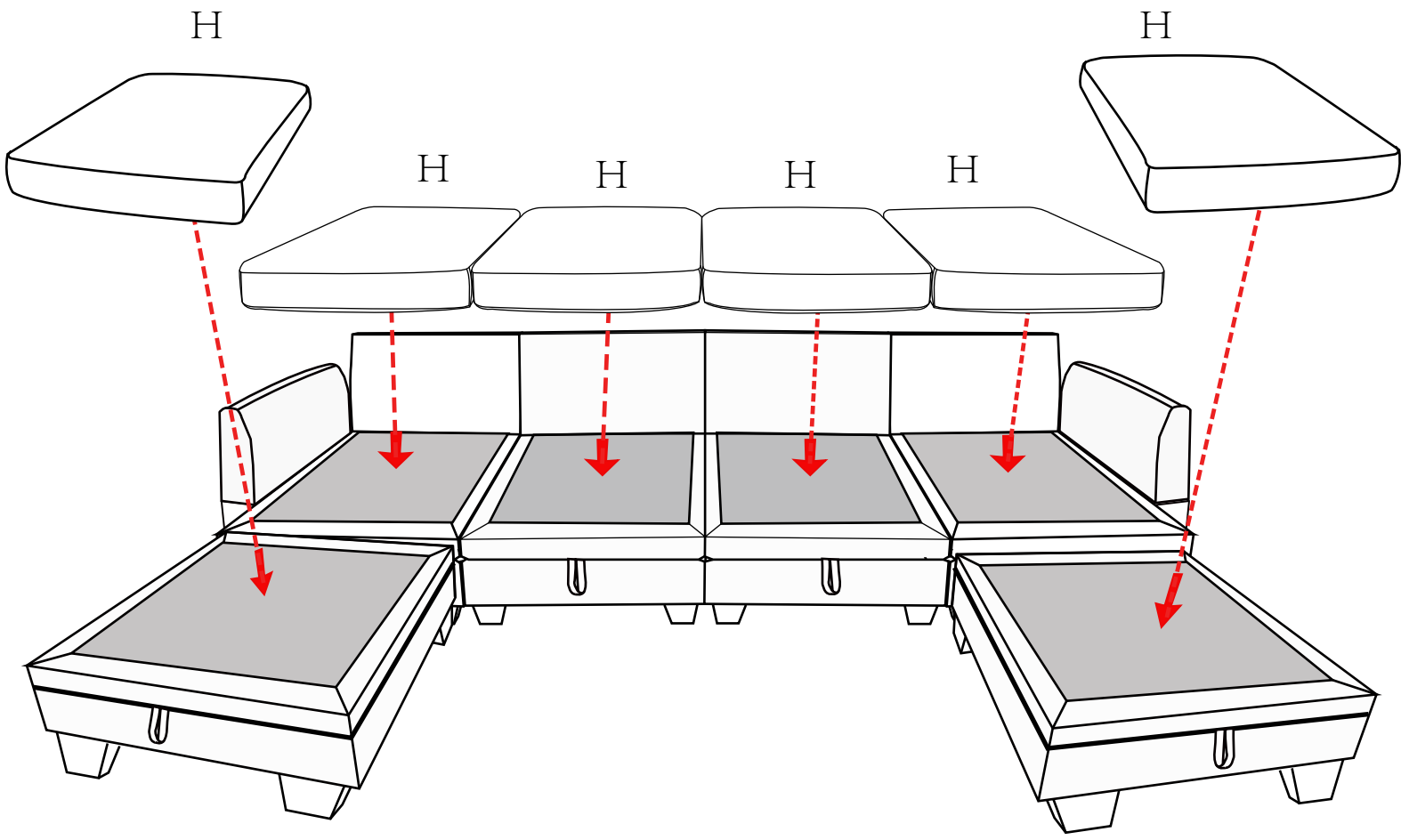
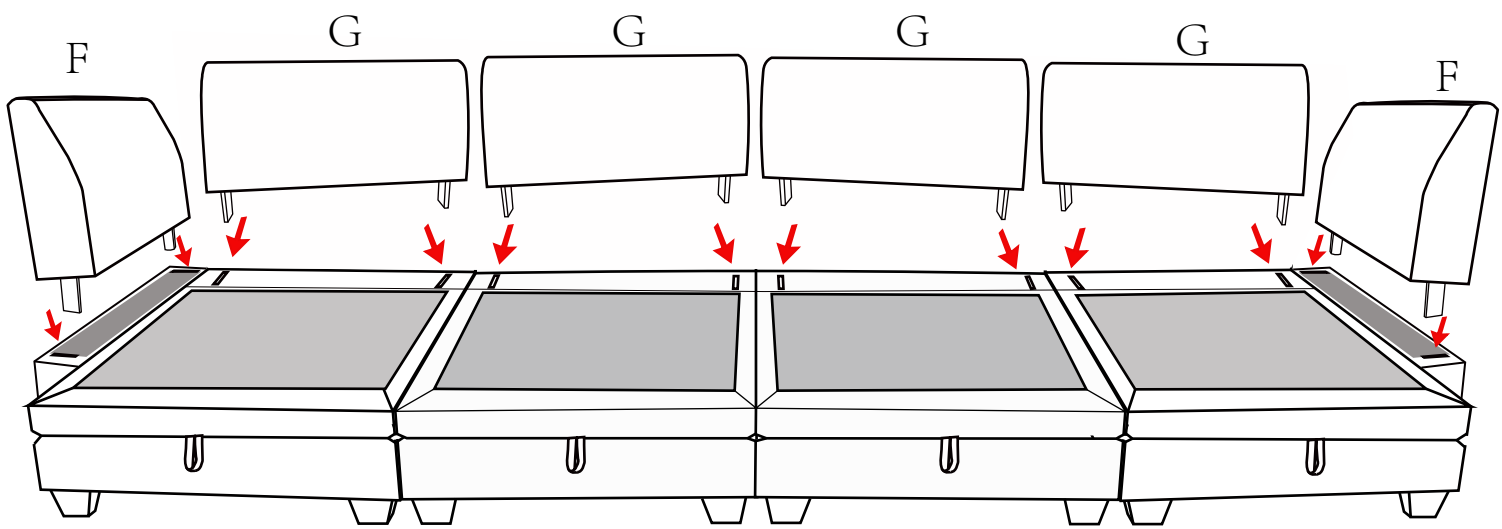
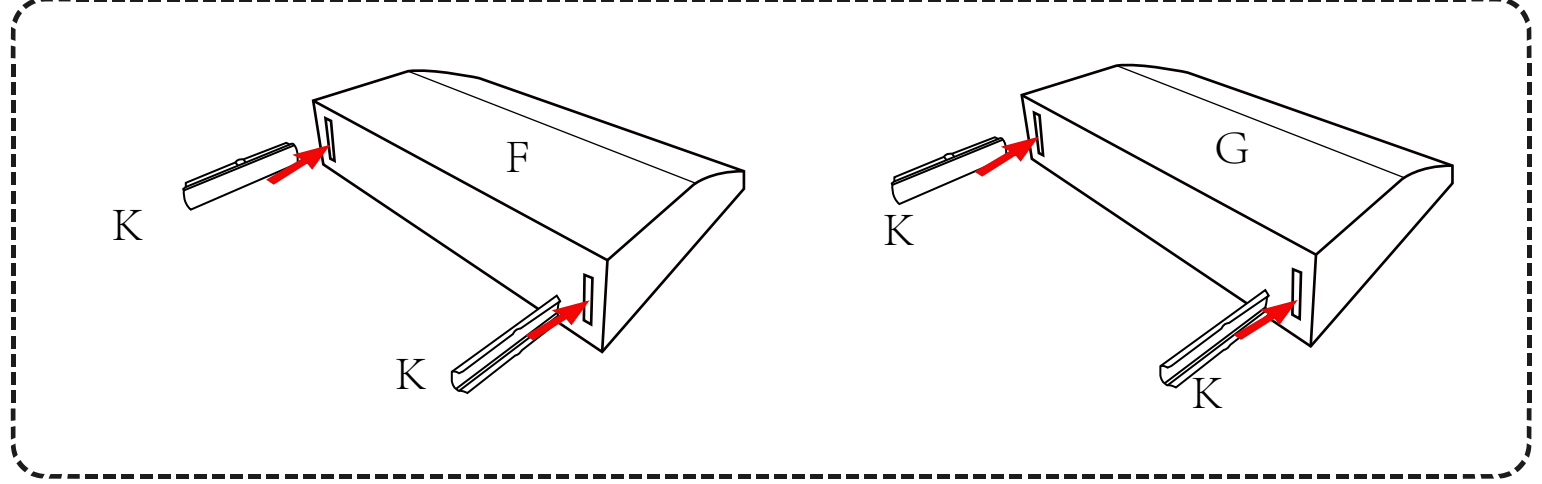
WF306359 BOX 4-3:

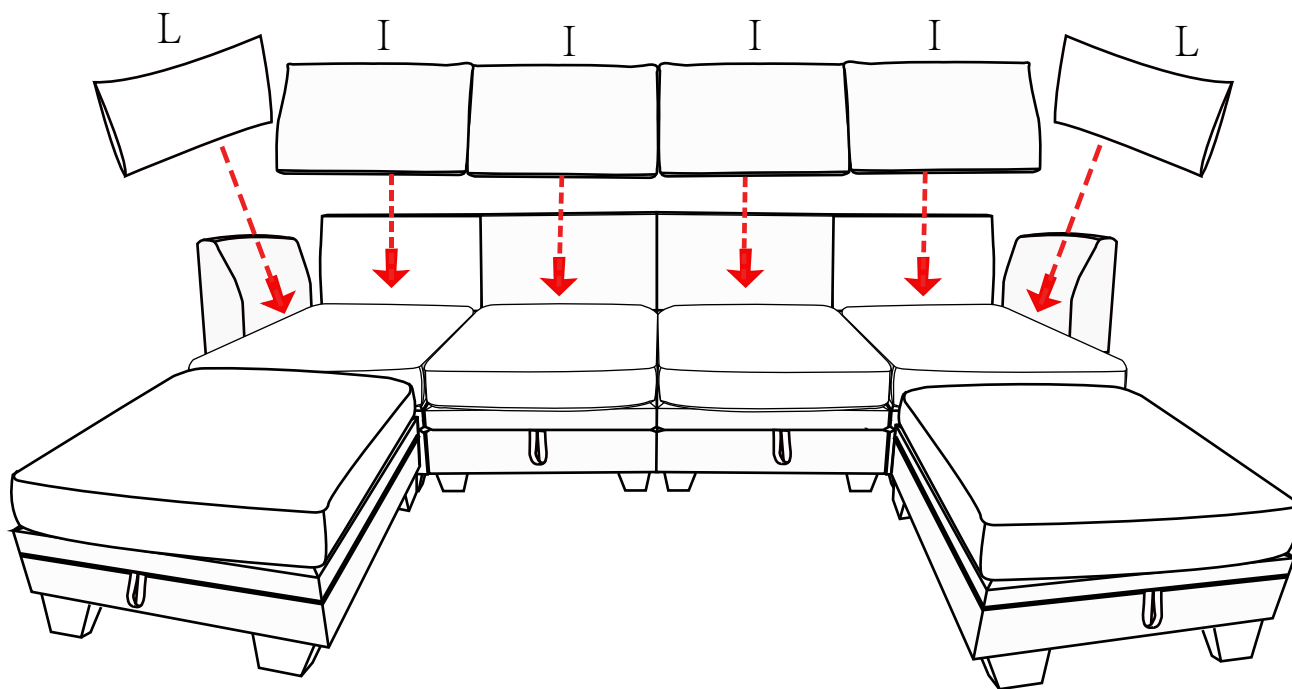
$D*2+I*2+L*2+J*8+H*1$

WF306360 BOX 4-4:

$H*4$







Completed assembly

