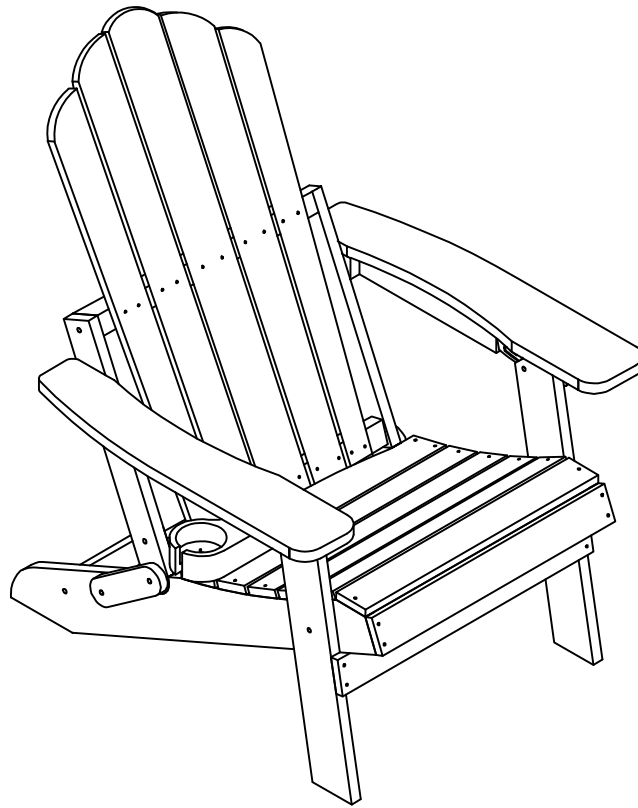
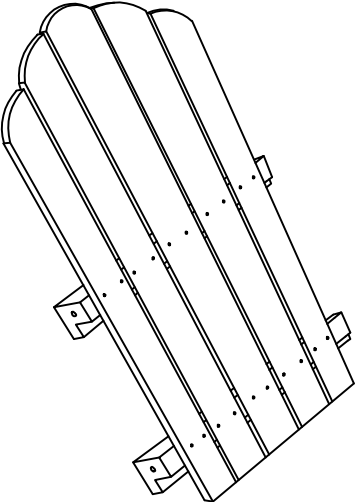
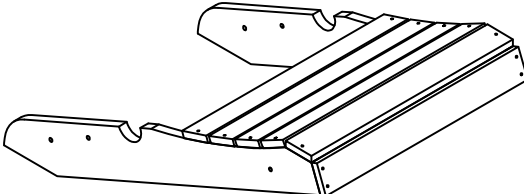
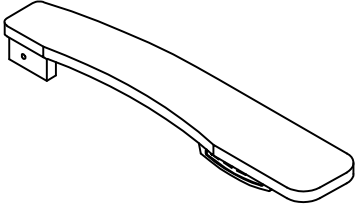
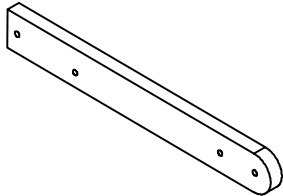
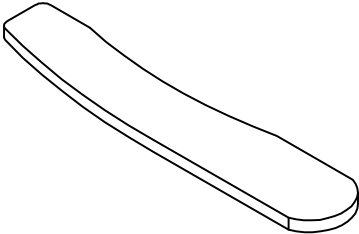
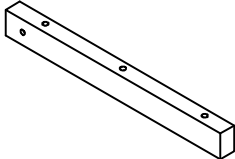



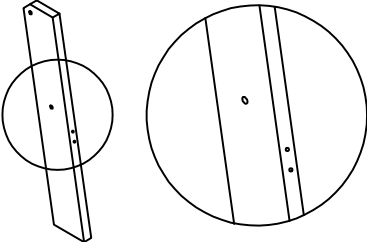


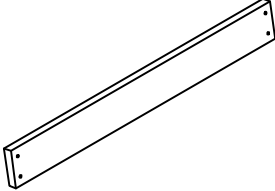
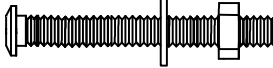
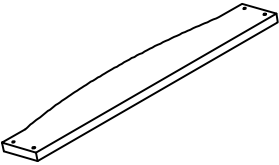
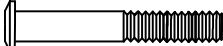
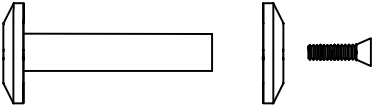
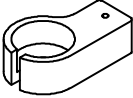
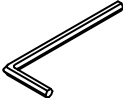
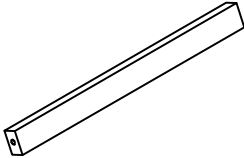
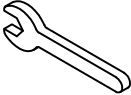


Assembly instructions

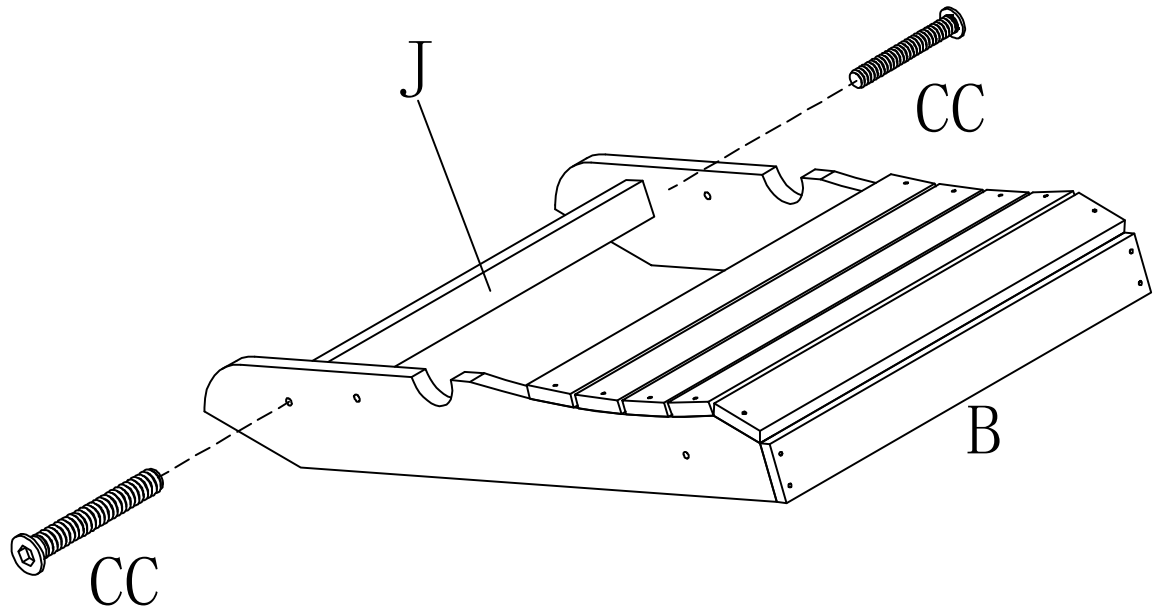
Folding Adirondack Chair



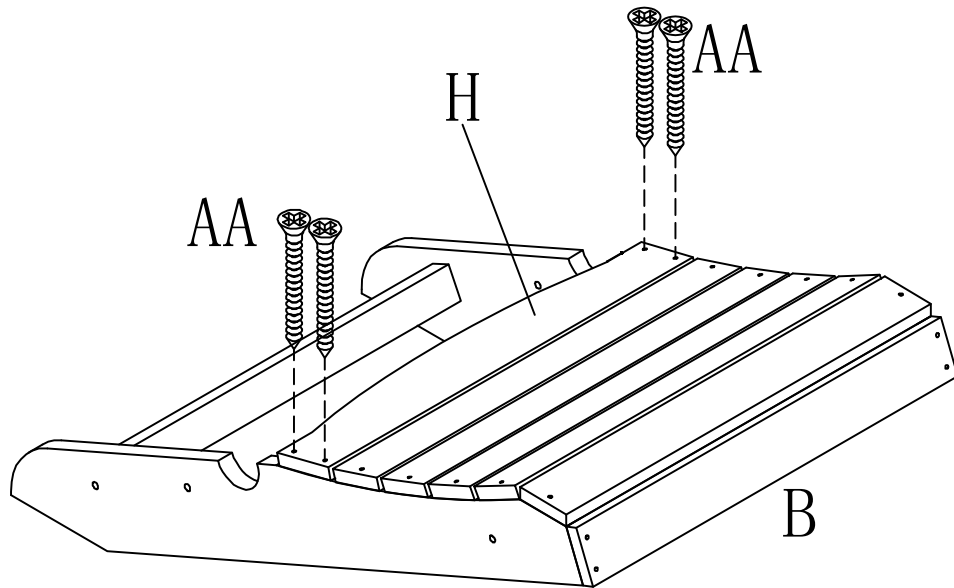
A		1PC
B		1PC

C		1PC	K		2PCS
D		1PC	L		2PCS
			AA	 4*35 Screw	8PCS
E		2PCS	BB	 M6*50 Bolt	4PCS
F		2PCS	CC	 M6*50 Bolt	12PCS
			DD	 M6*60 Bolt	2PCS
G		1PC	EE	 M6*80 Bolt	2PCS
H		1PC	FF	 M6*50 Bolt	1PC
			GG		2PCS
I		1PC			
J		1PC			

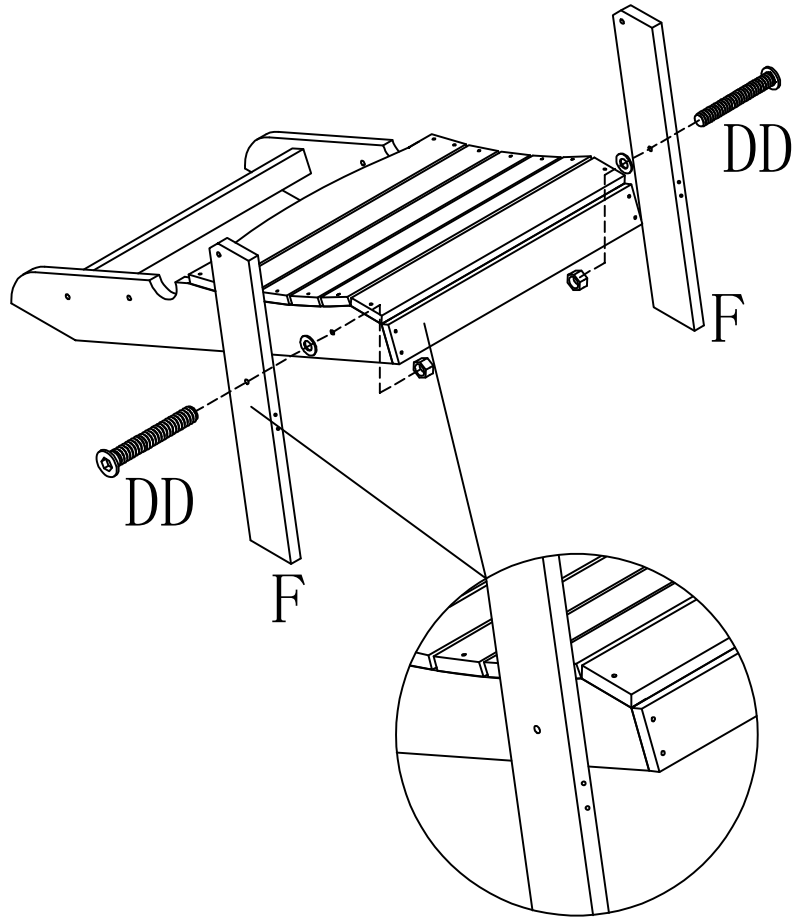
1



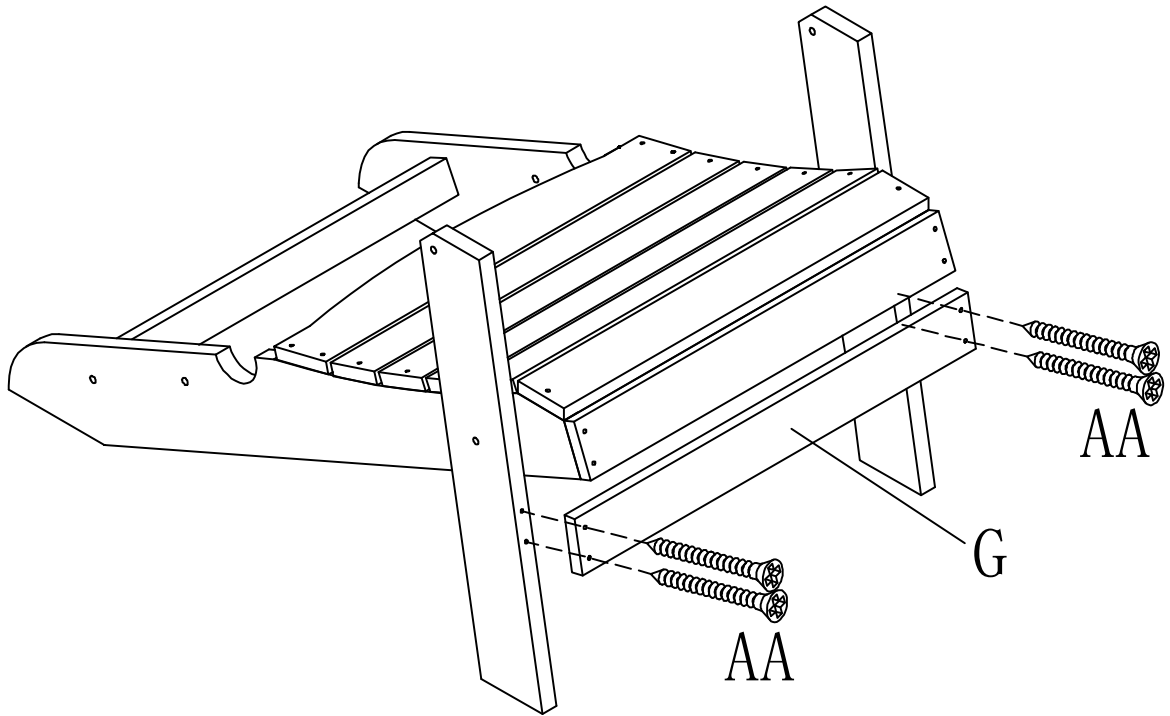
2



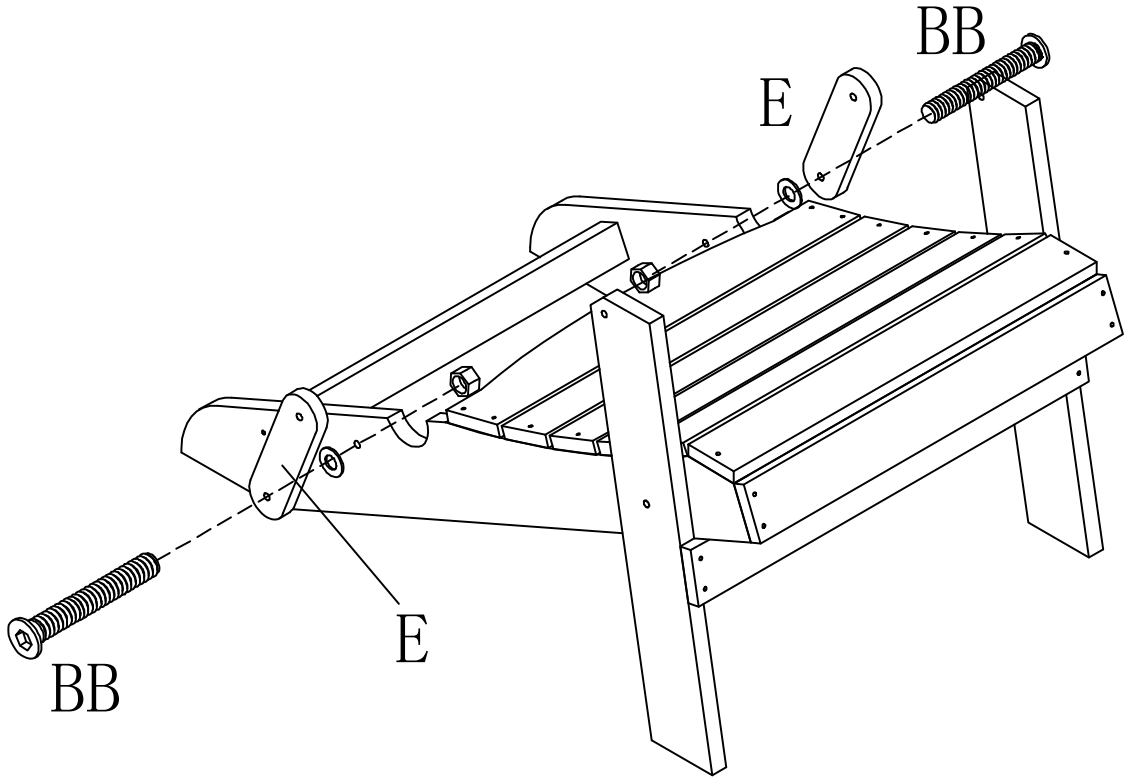
3



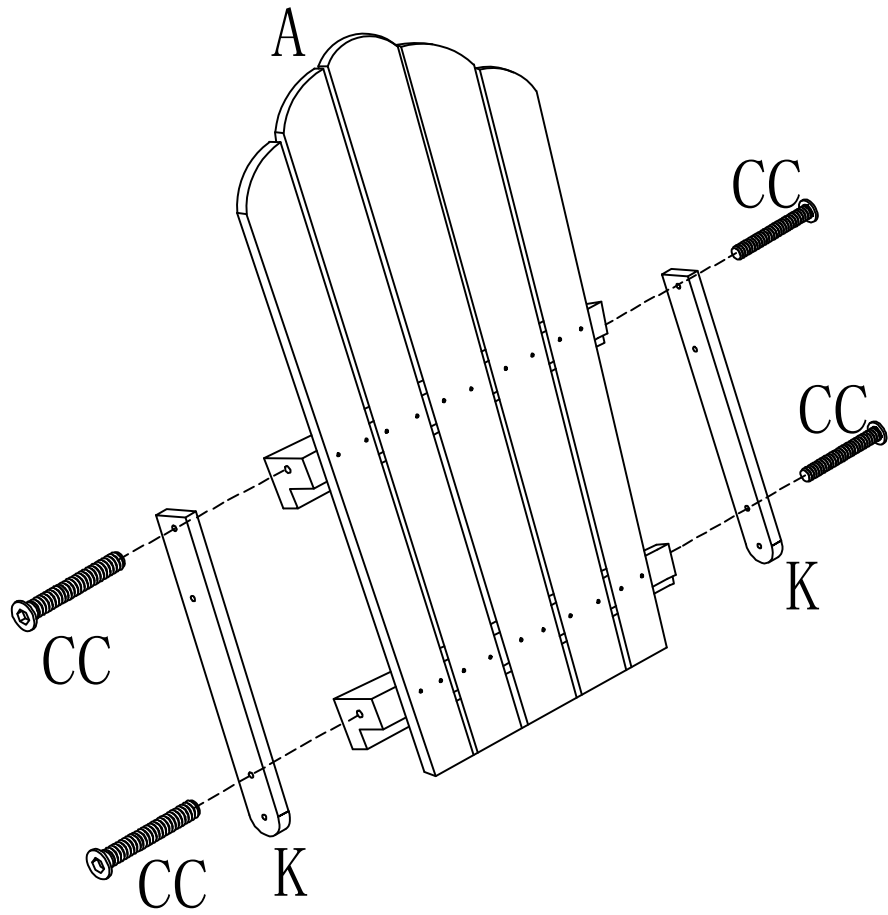
4



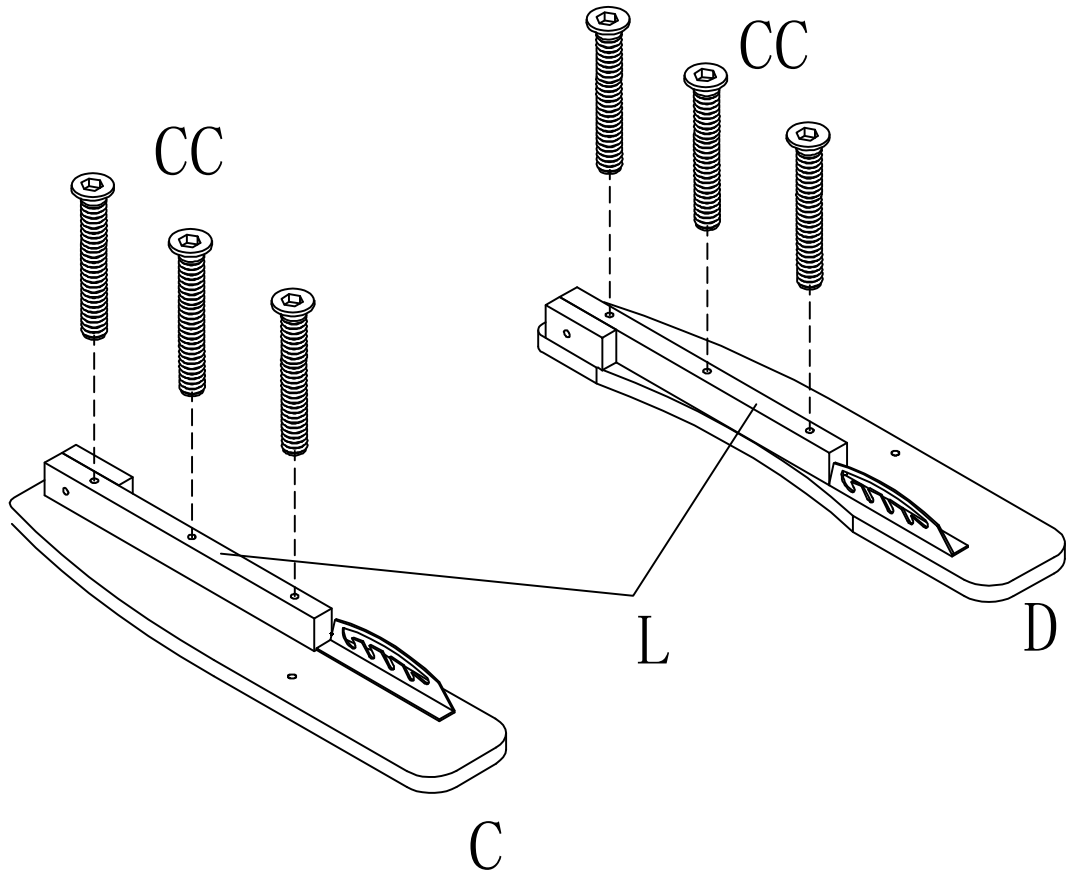
5



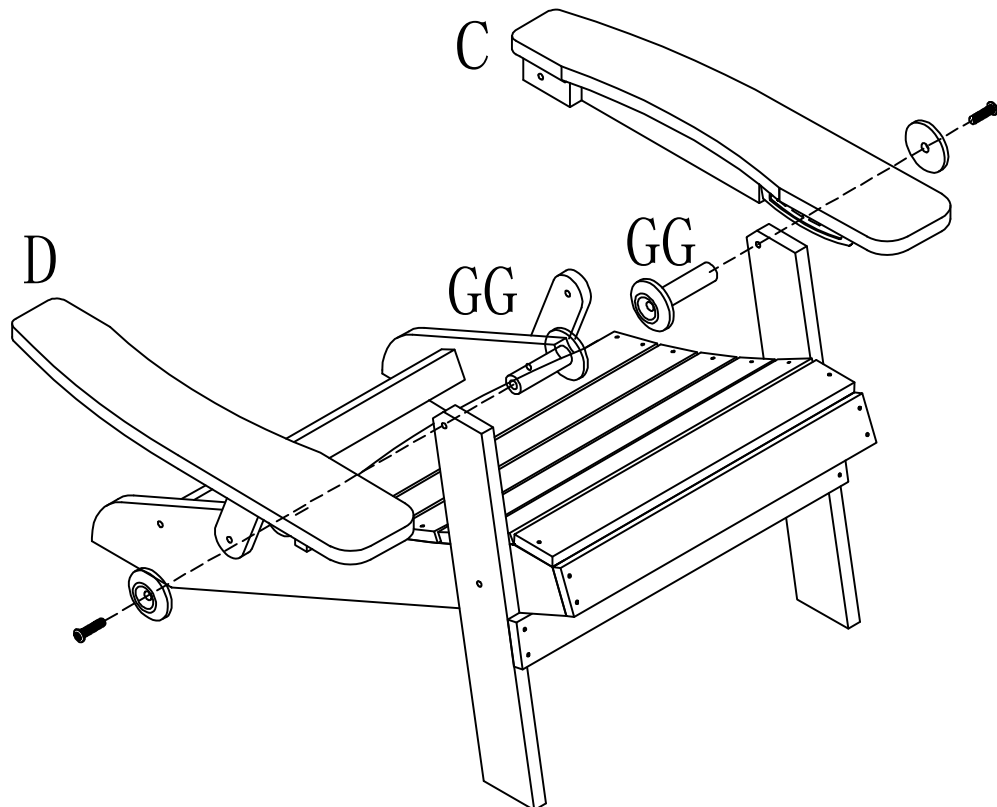
6



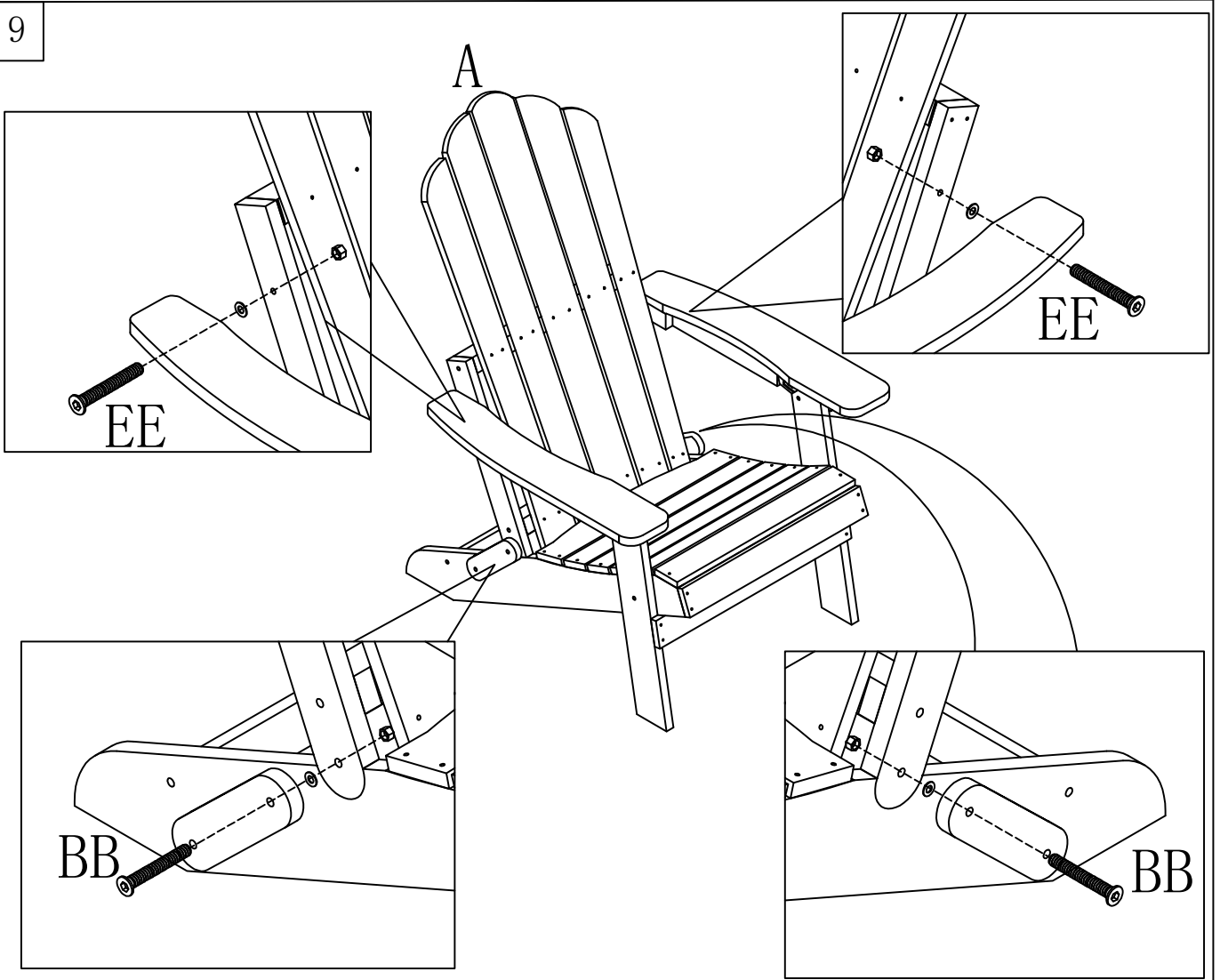
7



8



9



10

