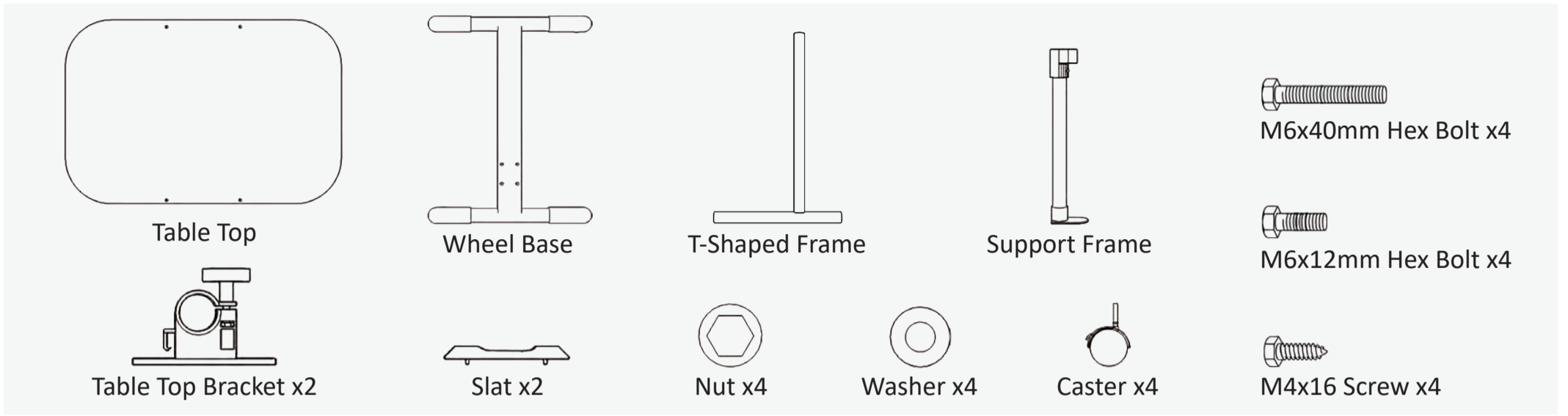


INSTRUCTION

HARDWARE :



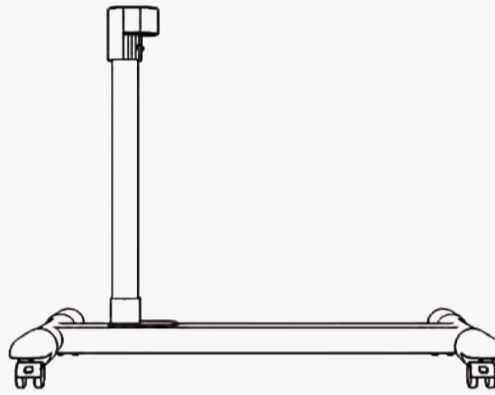
ASSEMBLY INSTRUCTIONS :

1



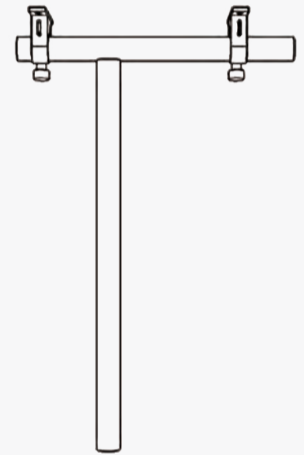
Secure the Casters onto the Wheel Base.

2



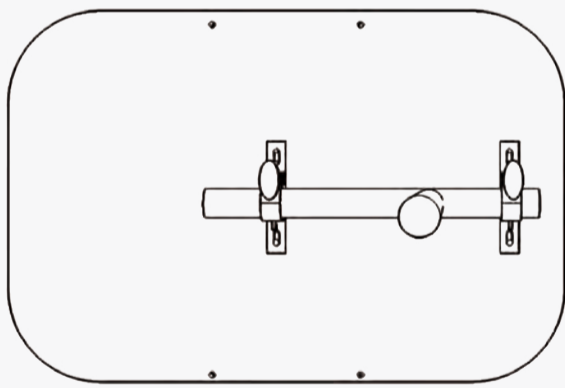
Place the Support Frame on the Wheel Base as picture shown. Secure them with M6*40 Hex Bolts and Nuts.

3



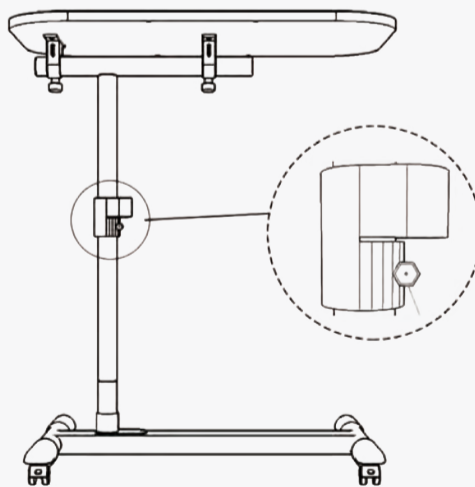
Assemble the Table Top Brackets on the T-Shaped Frame.

4



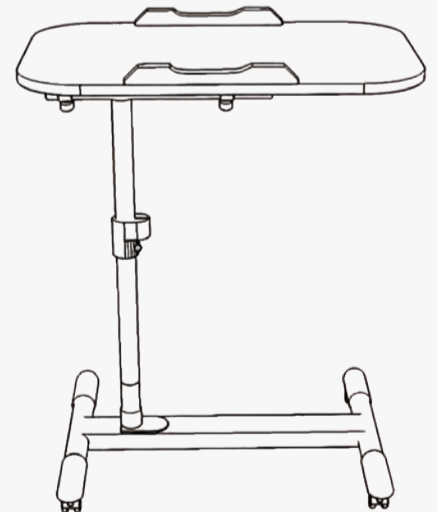
Secure the assembled T-Shaped Frame and the Table Top with M6*12 Hex Bolts.

5



Assemble the Table Top and Wheel Base, and then tighten the bolt on the Support Frame.

6



Secure the Slats with M4*16 Screws and Washers as picture shown.

⚠ ATTENTION

- ① Please always read and follow the assembly, maintenance and operating instruction.
- ② Do not discard any of the packaging until you have checked that you have all the parts and pack of fittings.
- ③ Keep children away during assembly. This item contains small parts which can be swallowed by children.
- ④ Wipe frames with water gently, do not use bleach, acid, or other solvents.
- ⑤ Check all hardwares before assembly. Incorrect parts used may lead to damage.