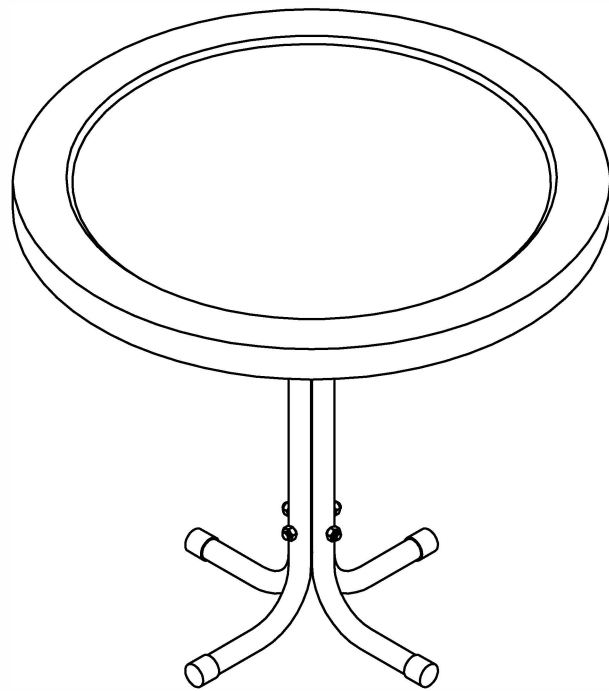

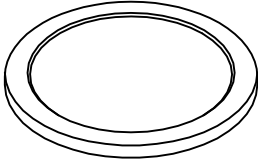


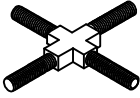


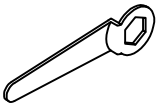


METAL SIDE TABLE



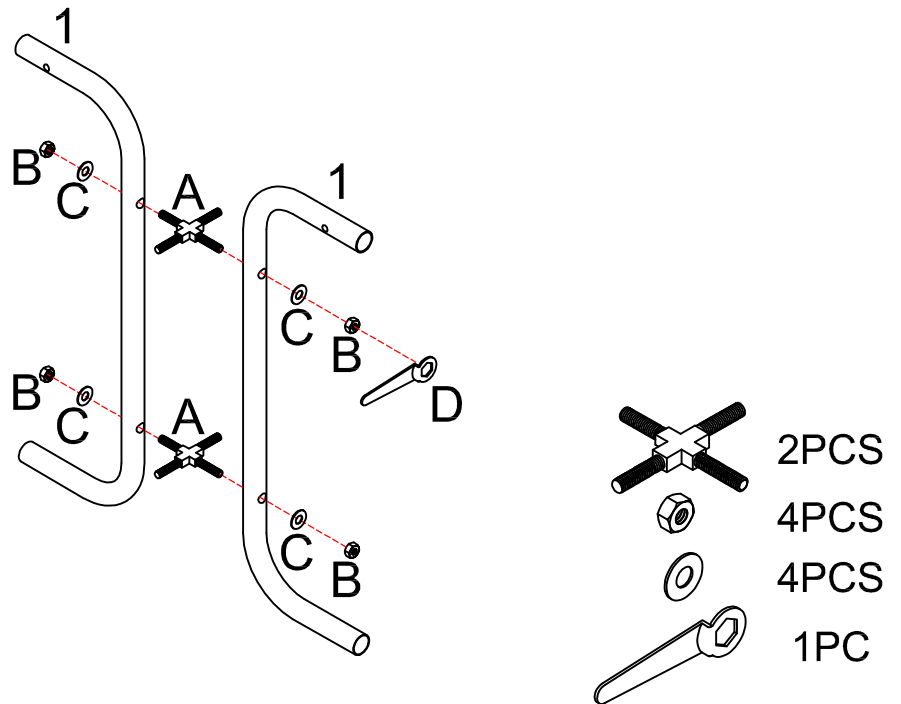
PART LIST

<div data-bbox="76 152 140 226" style="border: 1px solid black; padding: 2px; text-align: center;">1</div> 	<div data-bbox="435 152 499 226" style="border: 1px solid black; padding: 2px; text-align: center;">2</div> 
<p style="text-align: center;">Support Legs</p> <p style="text-align: center;">4 PCS</p>	<p style="text-align: center;">Table Top</p> <p style="text-align: center;">1 PC</p>

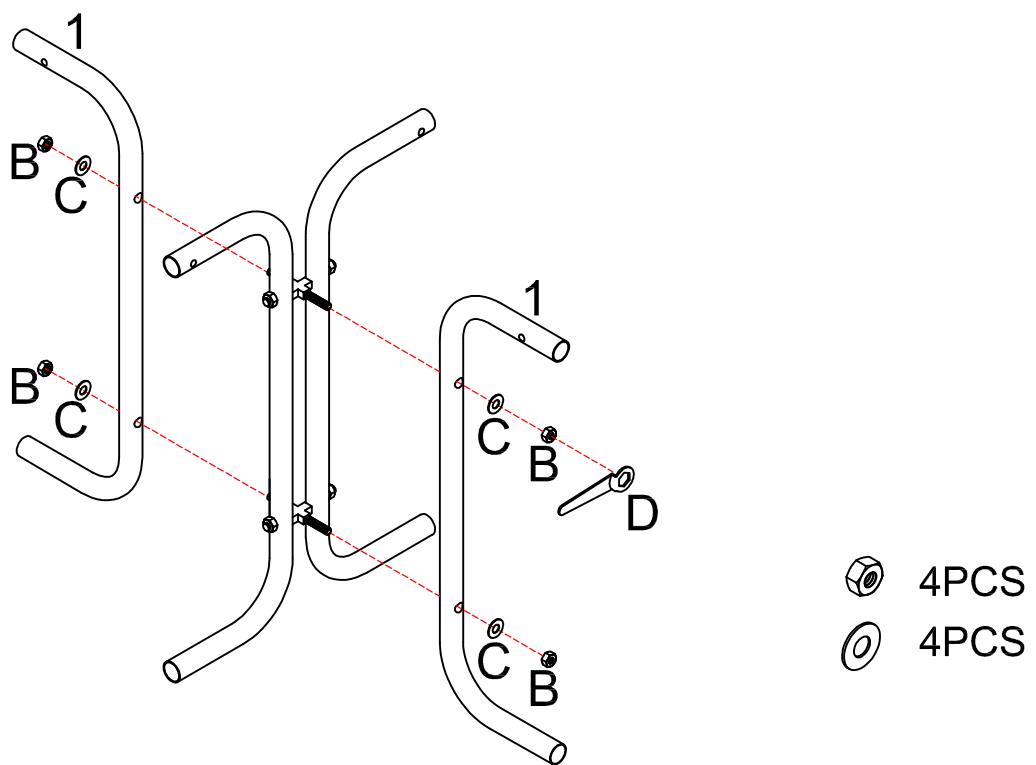
HARDWARE LIST

<div data-bbox="76 878 140 952" style="border: 1px solid black; padding: 2px; text-align: center;">A</div> 	<div data-bbox="435 878 499 952" style="border: 1px solid black; padding: 2px; text-align: center;">B</div> 	<div data-bbox="804 878 868 952" style="border: 1px solid black; padding: 2px; text-align: center;">C</div> 	<div data-bbox="1173 878 1236 952" style="border: 1px solid black; padding: 2px; text-align: center;">D</div> 
<p style="text-align: center;">"+"Bolts</p> <p style="text-align: center;">2 PCS</p>	<p style="text-align: center;">Nuts</p> <p style="text-align: center;">12 PCS</p>	<p style="text-align: center;">Washers</p> <p style="text-align: center;">12 PCS</p>	<p style="text-align: center;">Wrench</p> <p style="text-align: center;">1 PC</p>
<div data-bbox="76 1422 140 1496" style="border: 1px solid black; padding: 2px; text-align: center;">E</div> 	<div data-bbox="435 1422 499 1496" style="border: 1px solid black; padding: 2px; text-align: center;">F</div> 		
<p style="text-align: center;">Screws</p> <p style="text-align: center;">4 PCS</p>	<p style="text-align: center;">Tube Caps</p> <p style="text-align: center;">4 PCS</p>		

STEP 1 Attach the two Support Legs (1) using the 2 "+" bolts (A), 4 Washers (C) and 4 Nuts (B). Do not tighten until after you have completed the entire assembly process.



STEP 2 Attach the two remaining Support Legs (1) to the "+" bolts (A) using 4 Washers (C) and 4 Nuts (B). Do not tighten until after you have completed the entire assembly process.



STEP 3 Attach the table top (2) to the base legs using 4 Bolts (E), 4 washers (C) and 4 nuts (B) by inserting each bolt into the bracket located under the table top and secure with the washer and nut. Repeat these steps for the remaining 3 brackets to secure the table top to the support legs.

Once assembly has been completed, you may tighten all nuts to firmly secure the patio side table. And add the Tube Cap (F) to the support legs (1).

