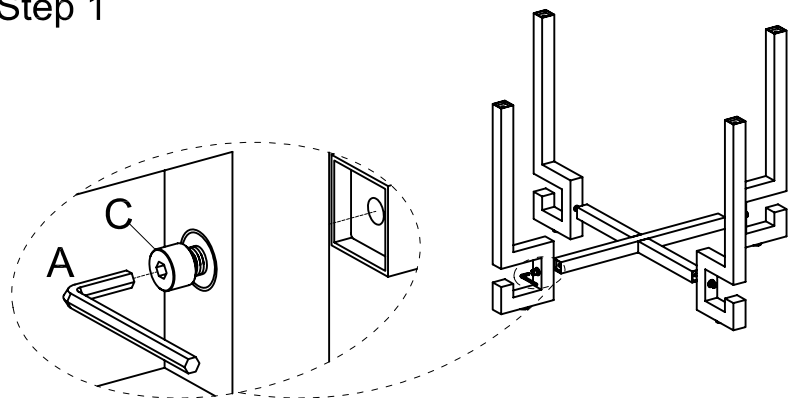
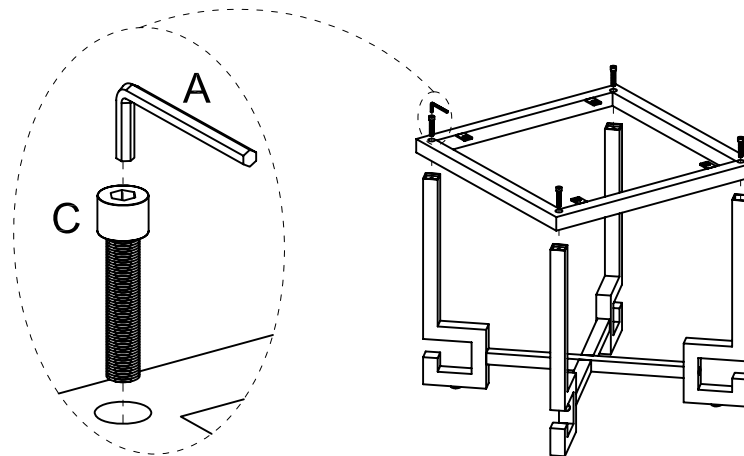


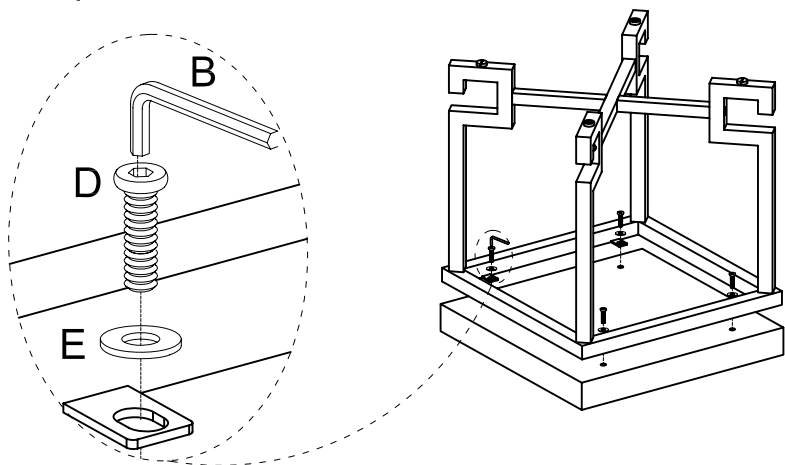
Step 1



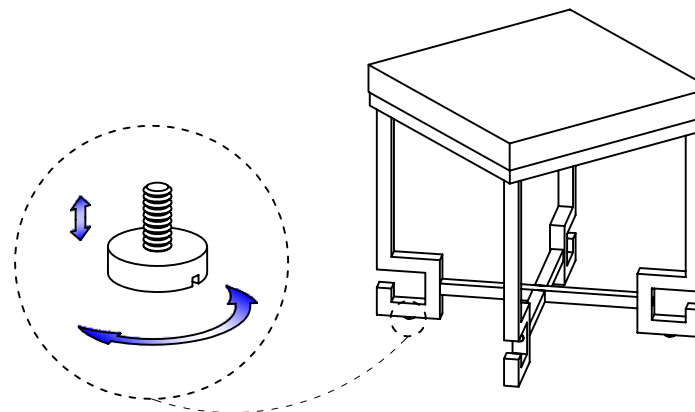
Step 2



Step 3



Finish



SIDE TABLE

A



6MM

1PC

B



5MM

1PC

C



M8x45

8PCS

D



M8x25

4PCS

E



Ø17xØ8x1.5

4PCS