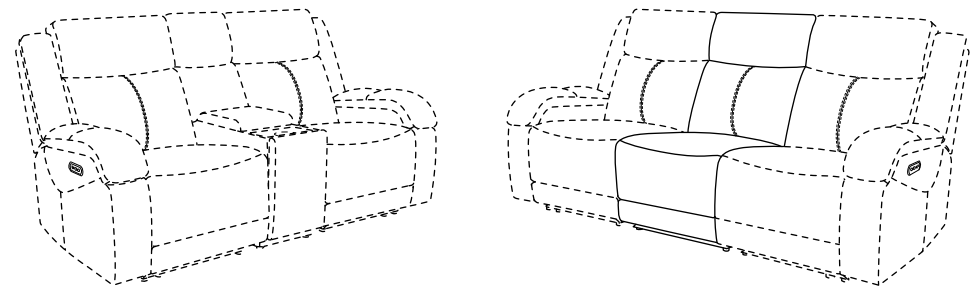
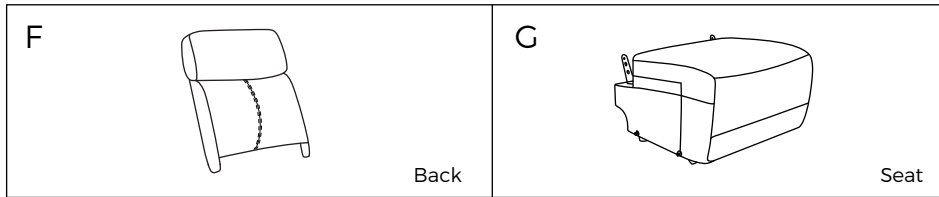


Armless Chair Assembly Manual

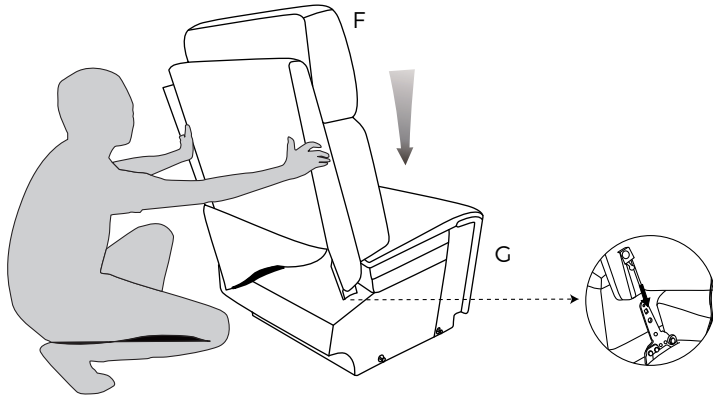


CAUTION THIS ASSEMBLY MANUAL CONTAINS IMPORTANT SAFETY INFORMATION.
PLEASE READ AND KEEP FOR FUTURE REFERENCE.

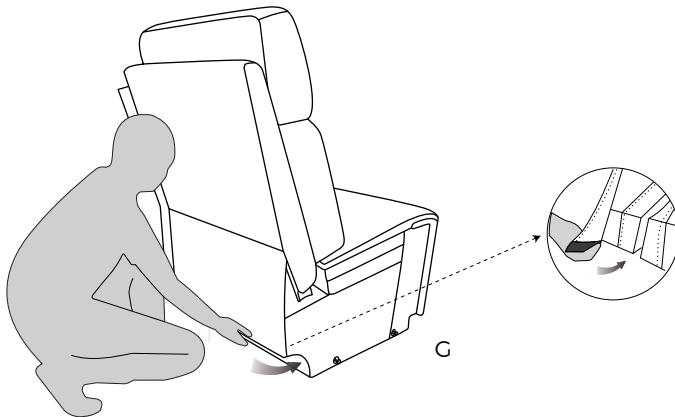
Parts



Step 1: Slide the Back (F) into the metallic quick connectors of the Seat (G). Push down the Back (F) firmly until each side is locked into place and an audible "click" is heard.

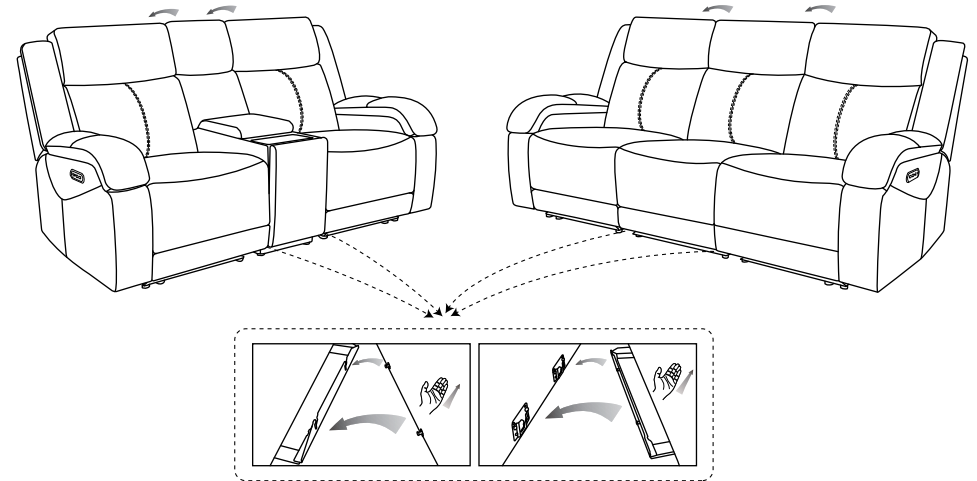


Step 2: Attach the back cover to the bottom of the Seat (G) with Velcro.



How to Connect

Step 1: Attach each piece with brackets on the side. Kindly note to attach from Right hand to Left hand.



Step 2: Using 2-Y cable (from Console parts) to connect your Console and Power Left Recliner together. Plug the Power Supply into the power outlet.

