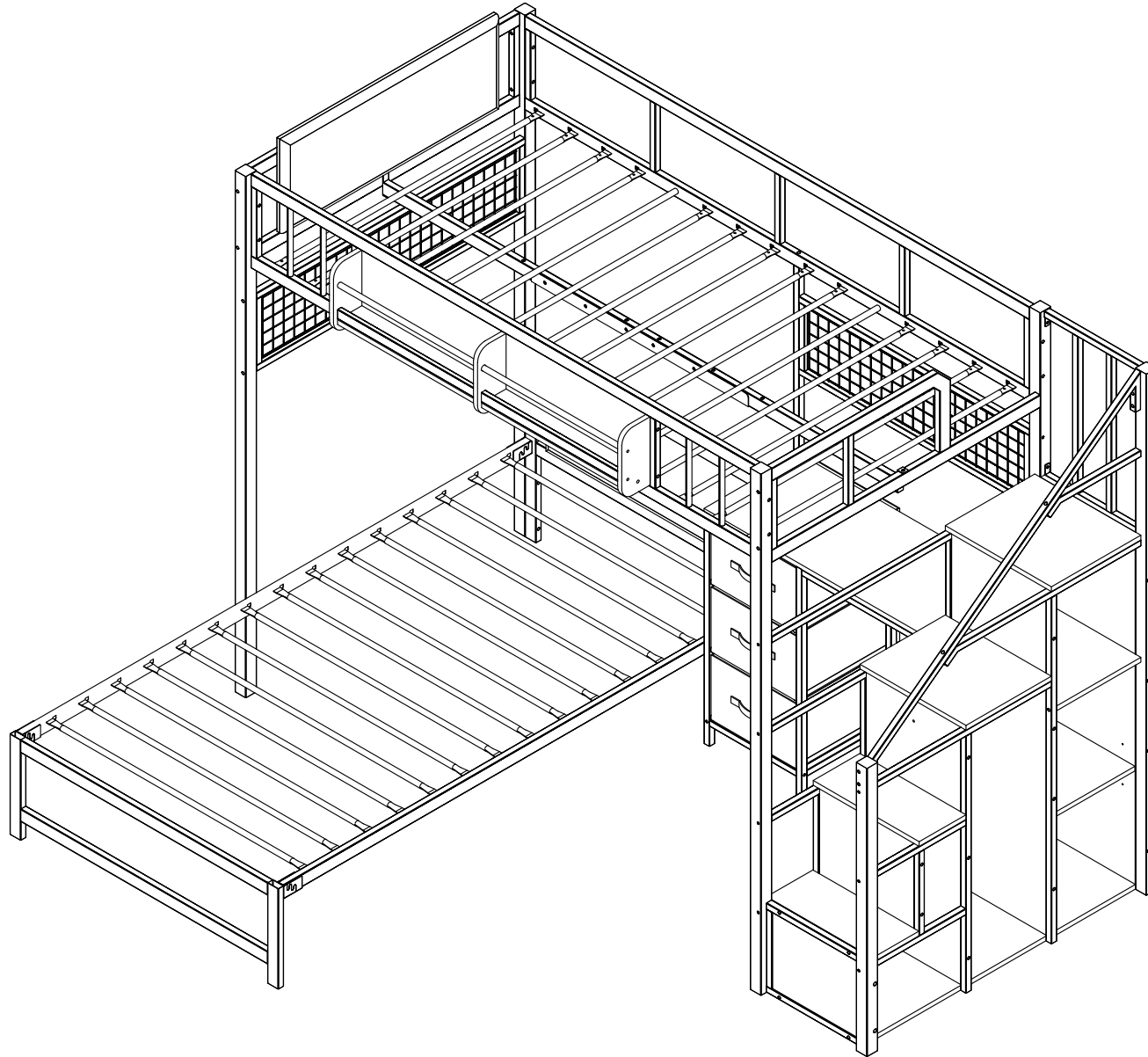
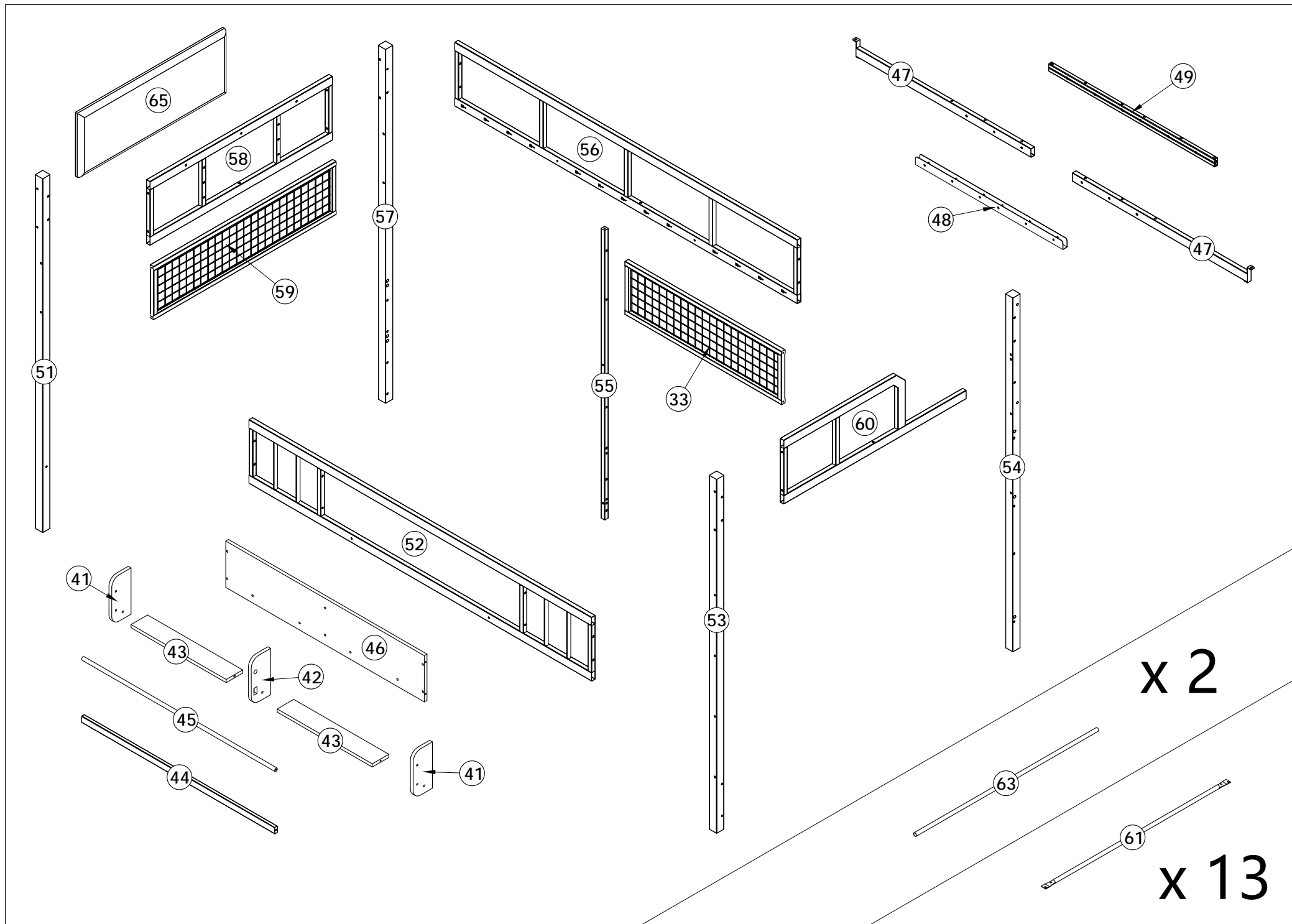
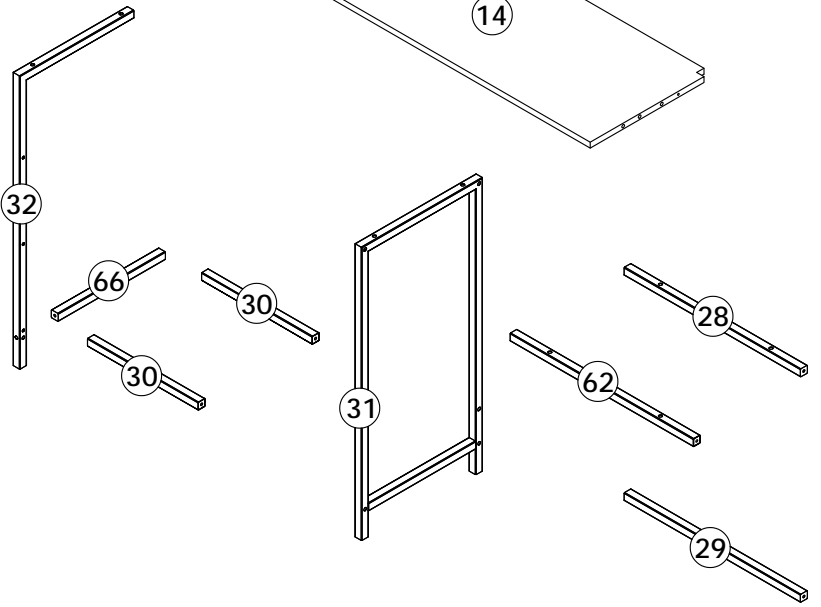
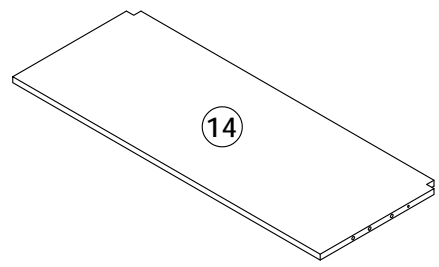
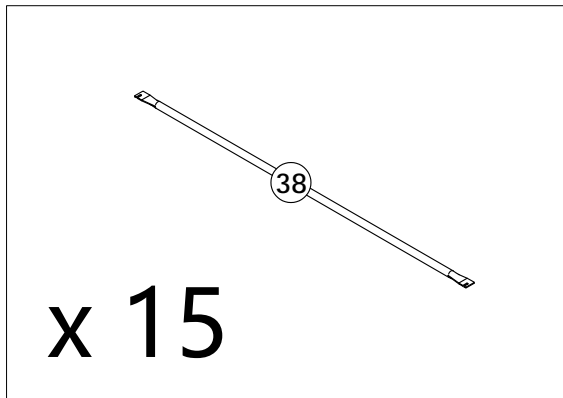
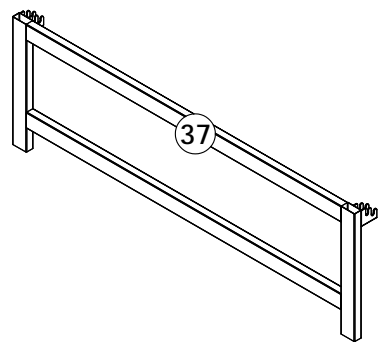
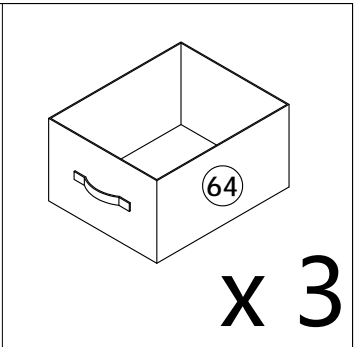
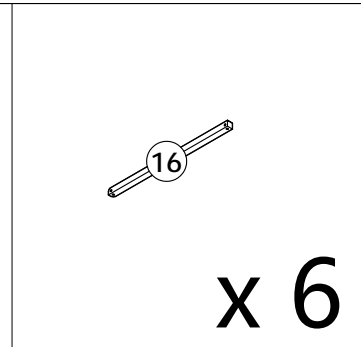
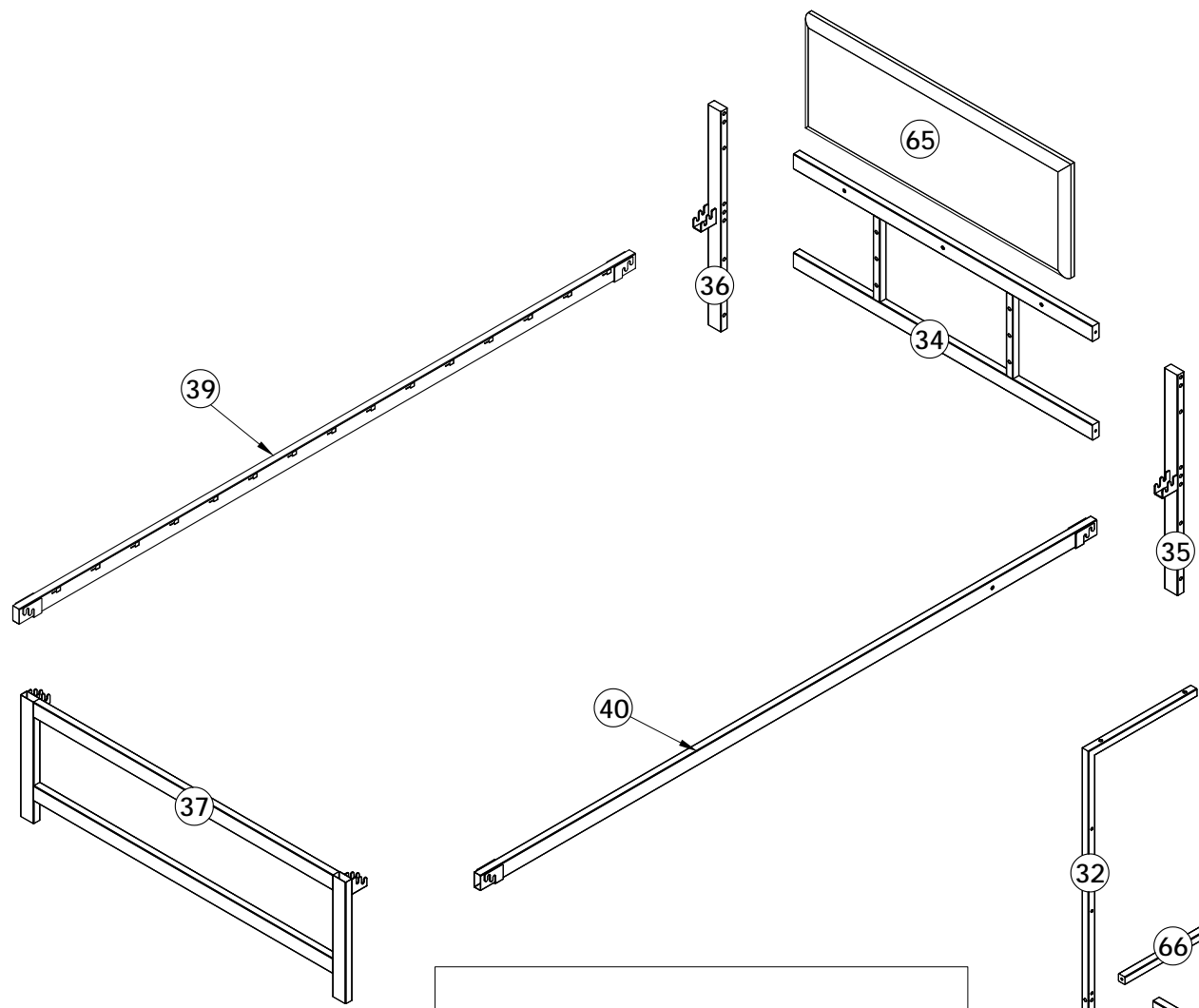
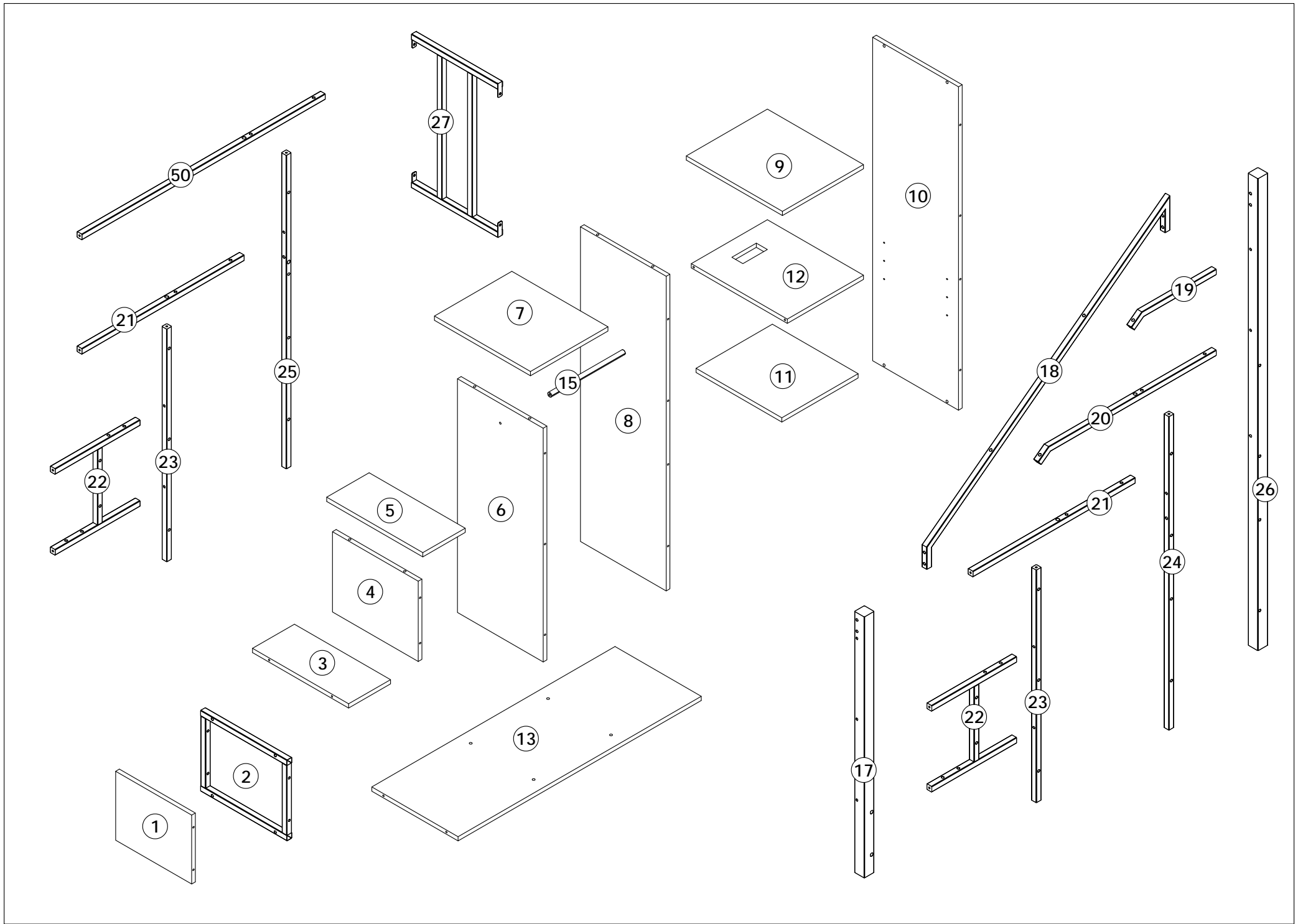


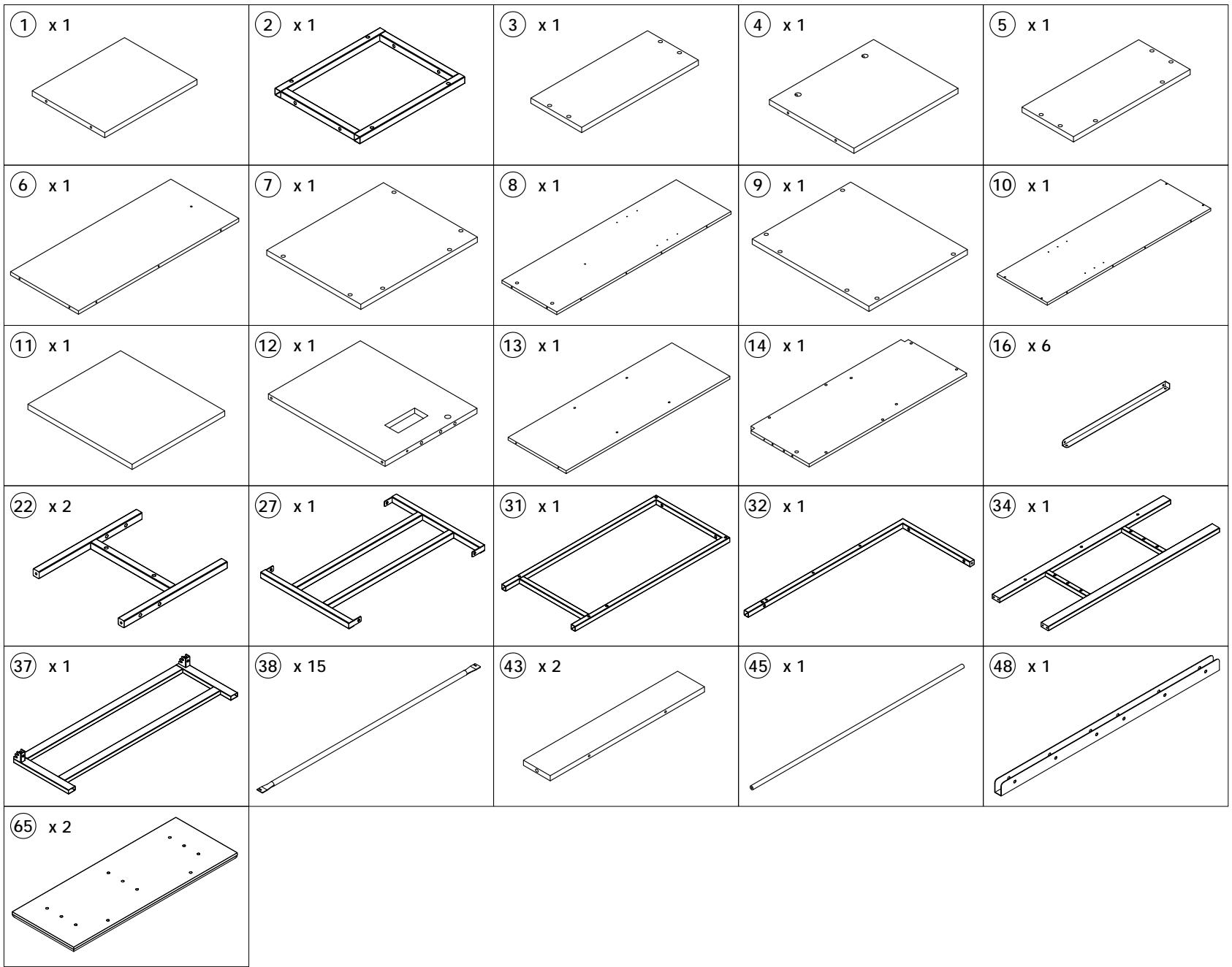
# Twin Over Twin Size Manual


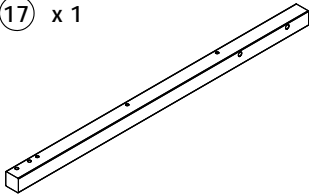
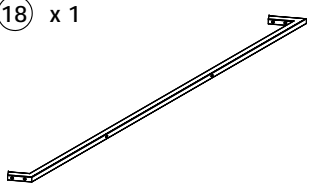
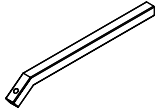
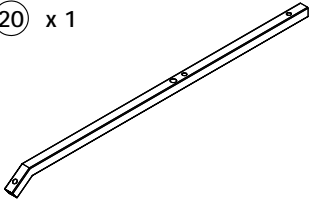
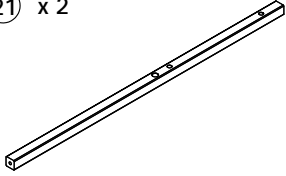
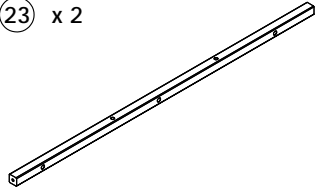
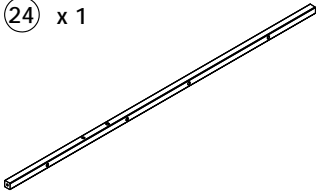
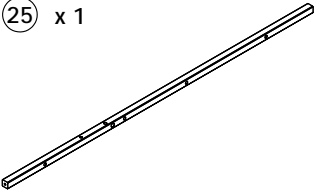
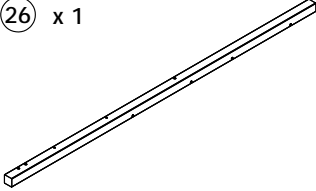
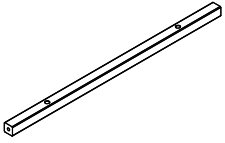
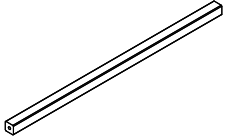

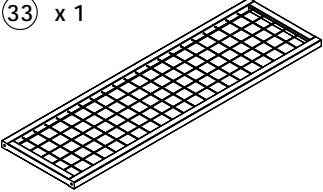
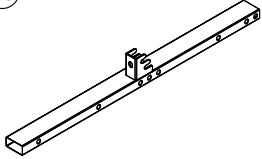
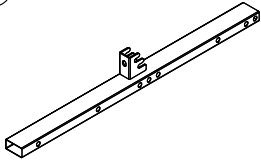
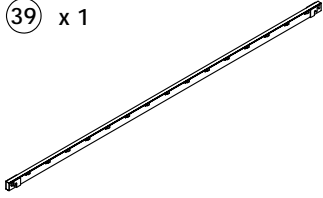
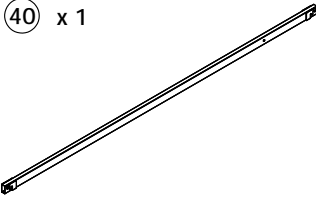
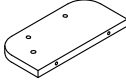
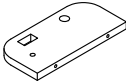
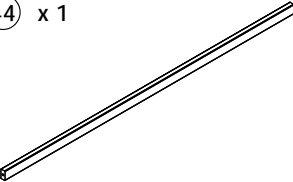
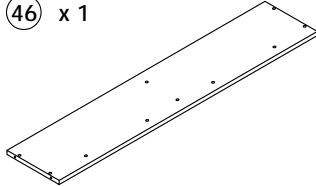
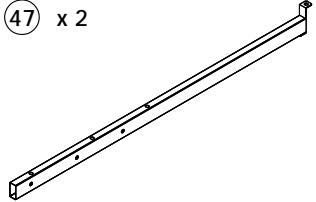
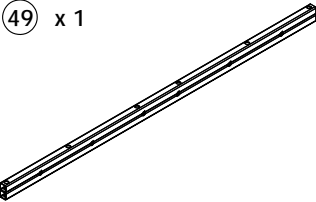
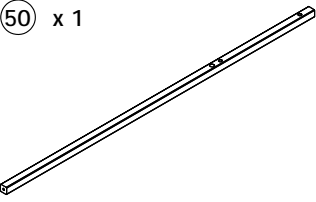


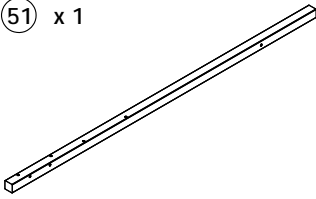
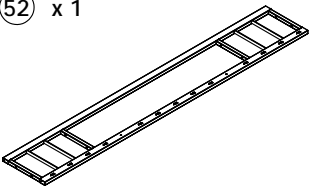
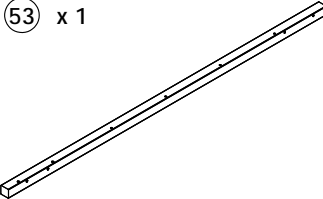
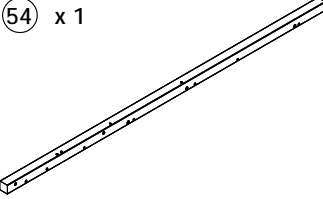
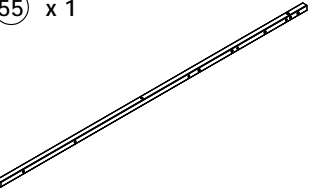
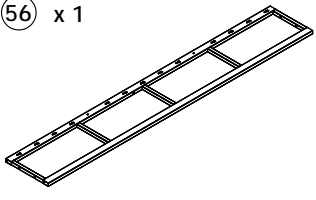
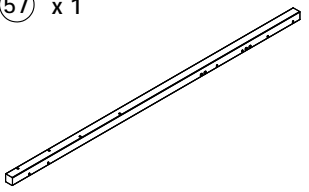
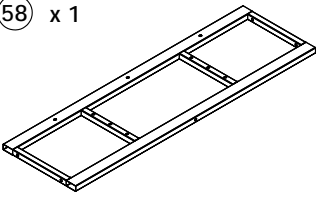
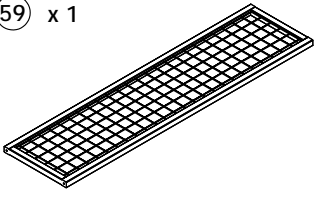
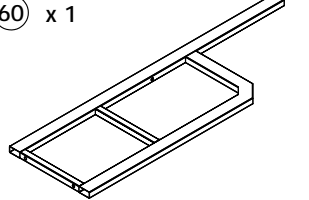
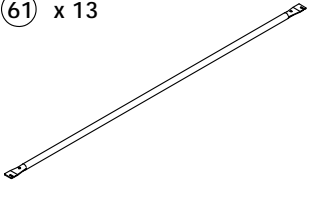
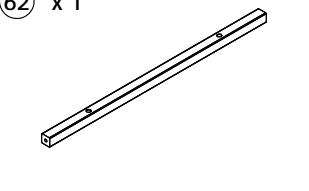
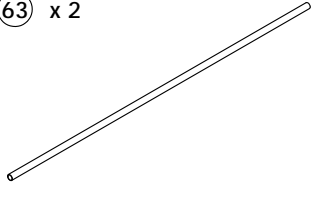
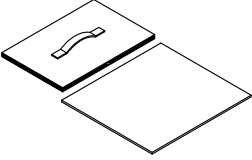





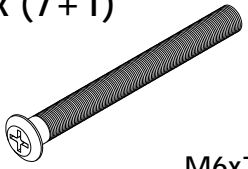
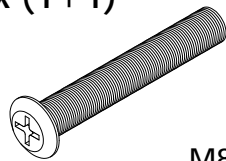
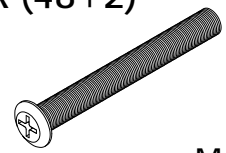
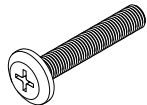
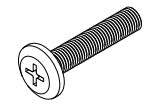
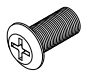
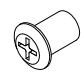
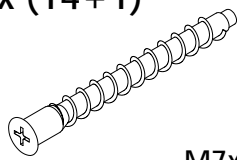

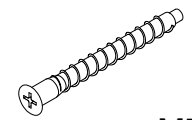
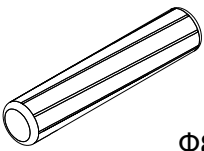

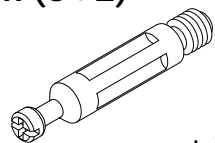
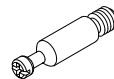
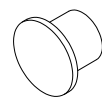
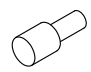

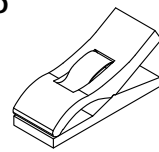
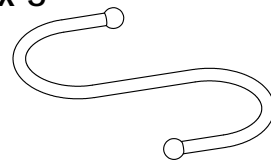
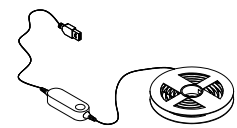
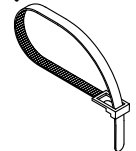
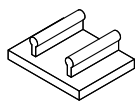
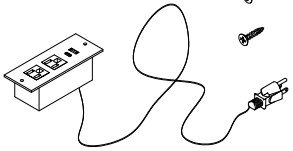
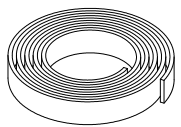
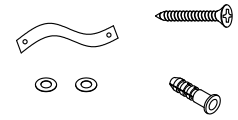
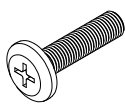
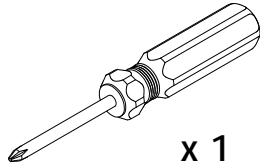




<p>⑮ x 1</p> 	<p>⑰ x 1</p> 	<p>⑱ x 1</p> 	<p>⑲ x 1</p> 	<p>⑳ x 1</p> 
<p>㉑ x 2</p> 	<p>㉓ x 2</p> 	<p>㉔ x 1</p> 	<p>㉕ x 1</p> 	<p>㉖ x 1</p> 
<p>㉘ x 1</p> 	<p>㉙ x 1</p> 	<p>㉛ x 2</p> 	<p>㉝ x 1</p> 	<p>㉞ x 1</p> 
<p>㉠ x 1</p> 	<p>㉡ x 1</p> 	<p>㉣ x 1</p> 	<p>㉥ x 2</p> 	<p>㉦ x 1</p> 
<p>㉨ x 1</p> 	<p>㉪ x 1</p> 	<p>㉬ x 2</p> 	<p>㉮ x 1</p> 	<p>㉰ x 1</p> 

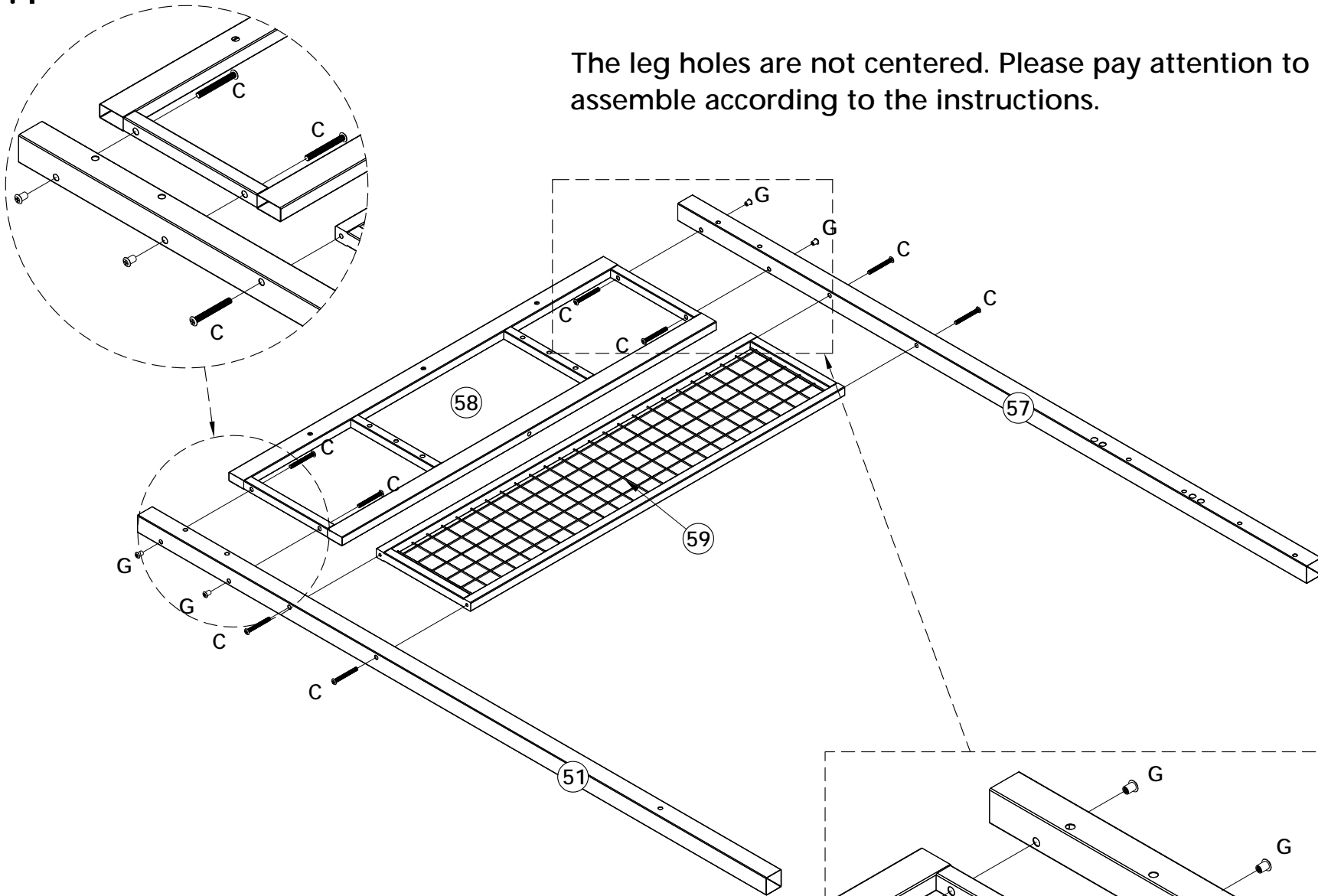
<p>51 x 1</p> 	<p>52 x 1</p> 	<p>53 x 1</p> 	<p>54 x 1</p> 	<p>55 x 1</p> 
<p>56 x 1</p> 	<p>57 x 1</p> 	<p>58 x 1</p> 	<p>59 x 1</p> 	<p>60 x 1</p> 
<p>61 x 13</p> 	<p>62 x 1</p> 	<p>63 x 2</p> 	<p>64 x 3</p> 	<p>66 x 1</p> 

# Hardware

<p>A x (7+1)</p>  <p>M6x70</p>	<p>B x (1+1)</p>  <p>M8x55</p>	<p>C x (48+2)</p>  <p>M6x55</p>	<p>D x (43+2)</p>  <p>M6x35</p>	<p>E x (34+2)</p>  <p>M6x30</p>
<p>F x (10+1)</p>  <p>M6x15</p>	<p>G x (42+2)</p>  <p>M6x15</p>	<p>H x (14+1)</p>  <p>M7x70</p>	<p>I x 4</p> 	<p>J x (48+2)</p>  <p>M7x50</p>
<p>K x (3+1)</p>  <p>Φ8x40</p>	<p>L x (12+2)</p>  <p>M4x15</p>	<p>M x (6+2)</p>  <p>Φ6x40</p>	<p>N x (2+1)</p>  <p>Φ6x32</p>	<p>O x 5</p> 
<p>P x (4+1)</p> 	<p>Q x (8+1)</p> 	<p>R x 5</p> 	<p>S x 5</p> 	<p>T x 1</p> 
<p>W x (4+2)</p> 	<p>V x (56+2)</p> 	<p>U x 1</p> 	<p>X x 1</p> 	<p>Y x 2</p> 
<p>Z x (1+1)</p>  <p>M8x35</p>	<p>x 1</p> 			

# STEP:1

The leg holes are not centered. Please pay attention to assemble according to the instructions.



C x 8

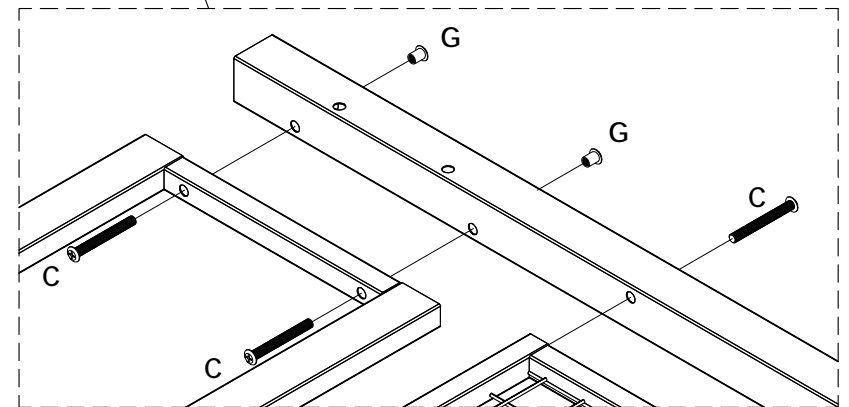


M6x55

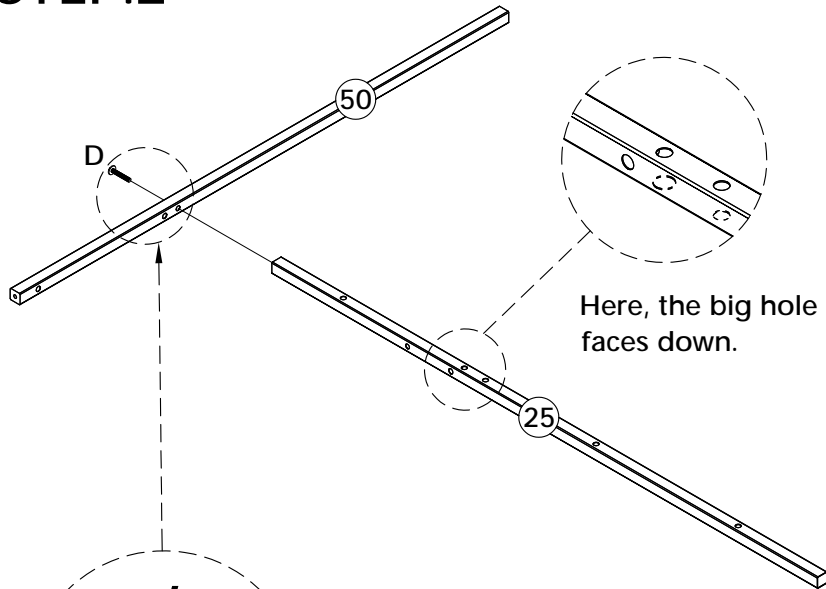
G x 4



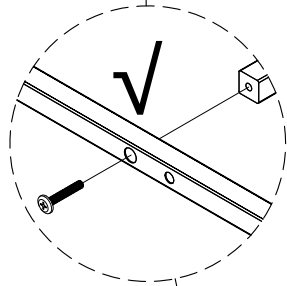
M6x15



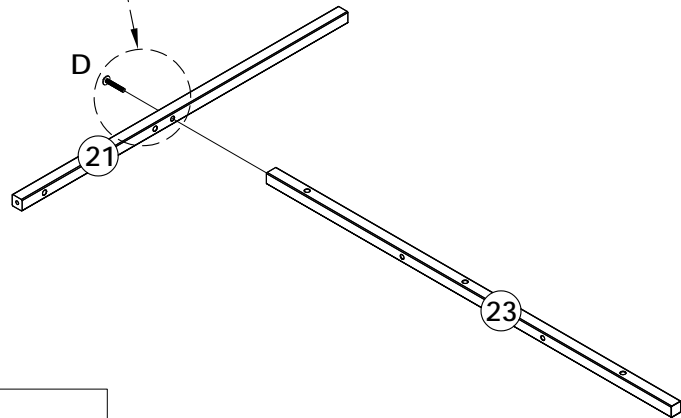
## STEP:2



Here, the big hole faces down.



Here, screw is inserted from the large hole surface.



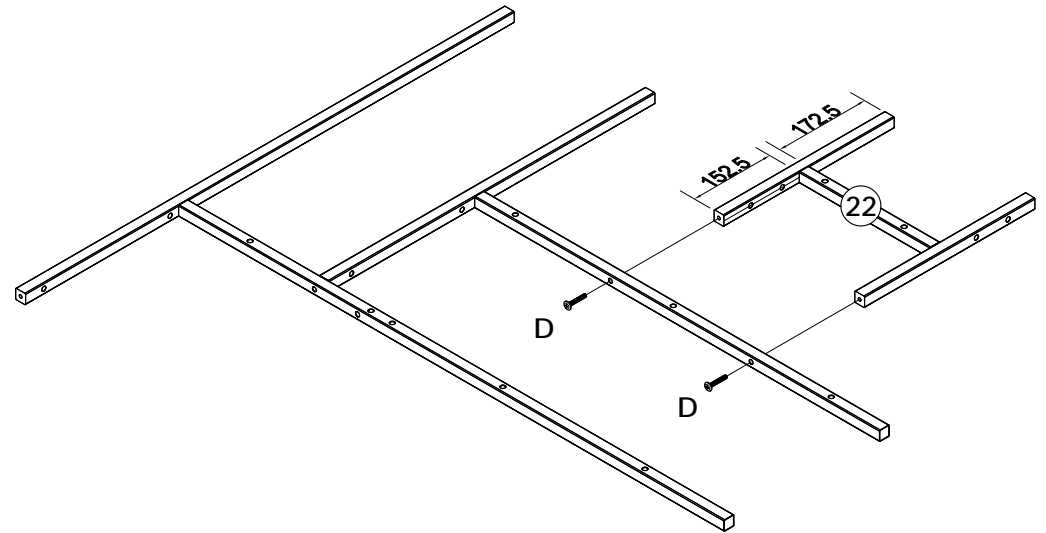
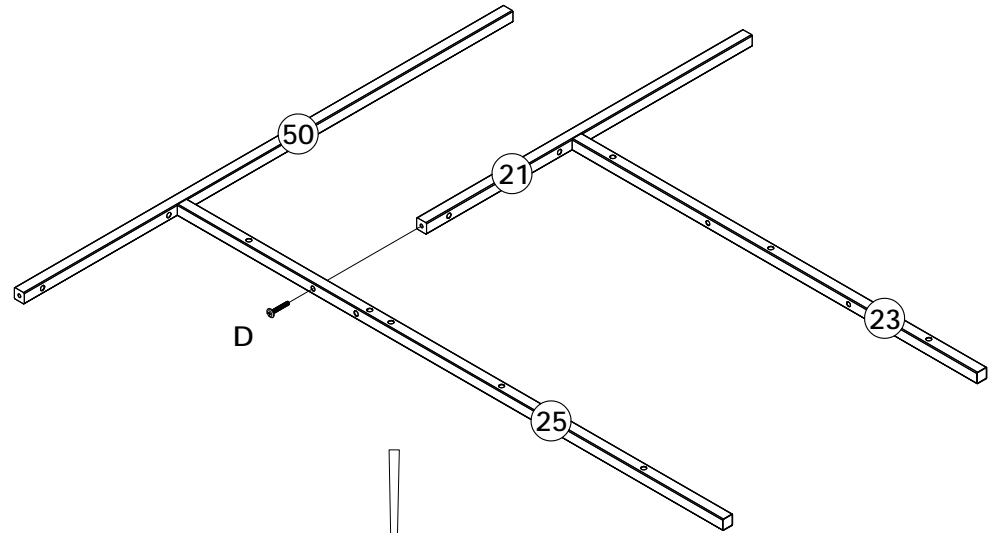
D x 2



M6x35

Pay attention to the holes and assemble according to the instructions.

## STEP:3



D x 3

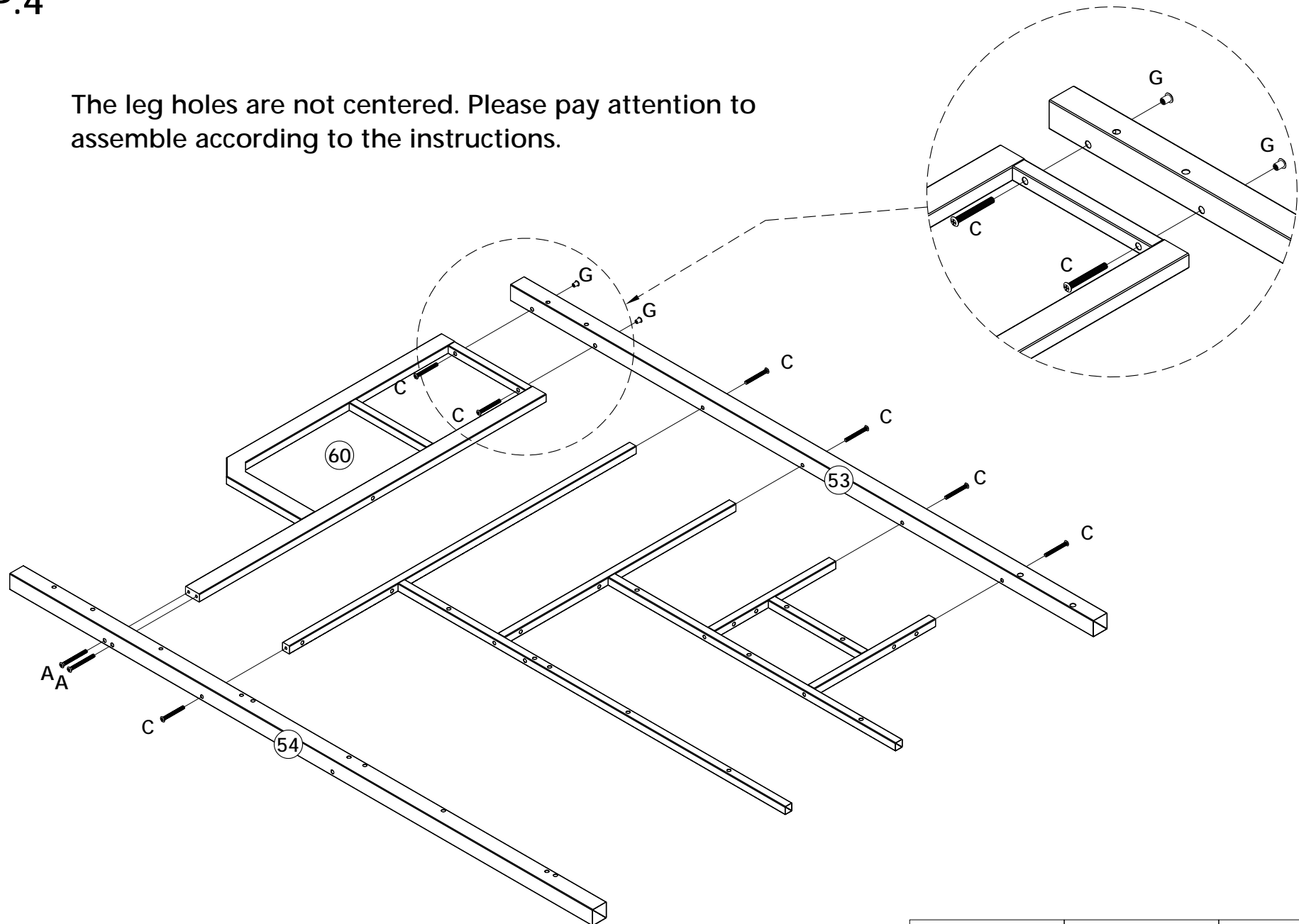





M6x35

Pay attention to the holes and assemble according to the instructions.

# STEP:4

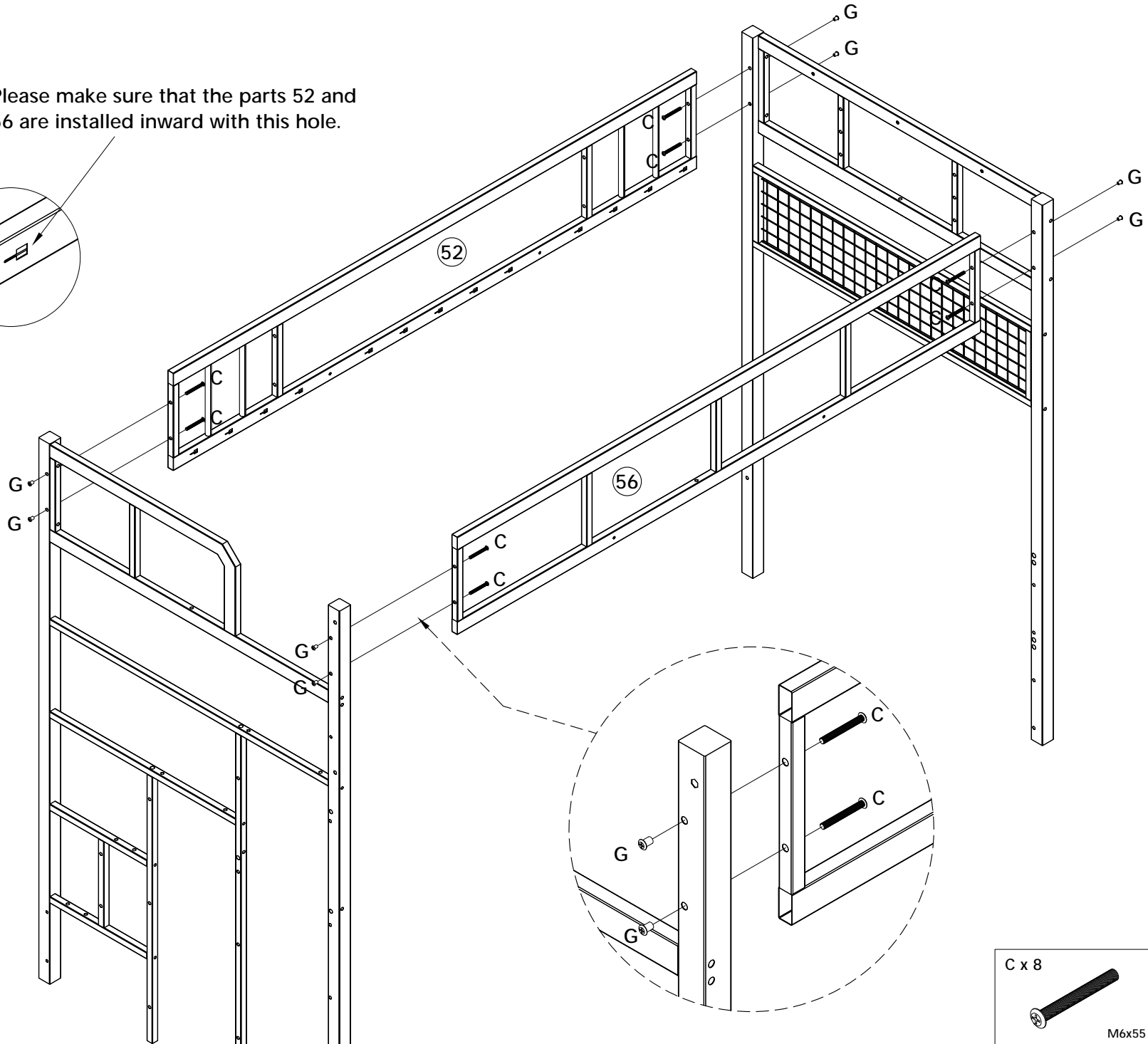
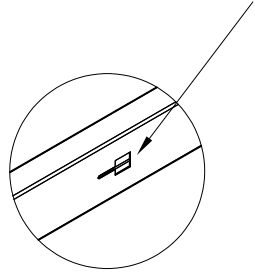
The leg holes are not centered. Please pay attention to assemble according to the instructions.





A x 2  M6x70	C x 7  M6x55	G x 2  M6x15
---	---	---

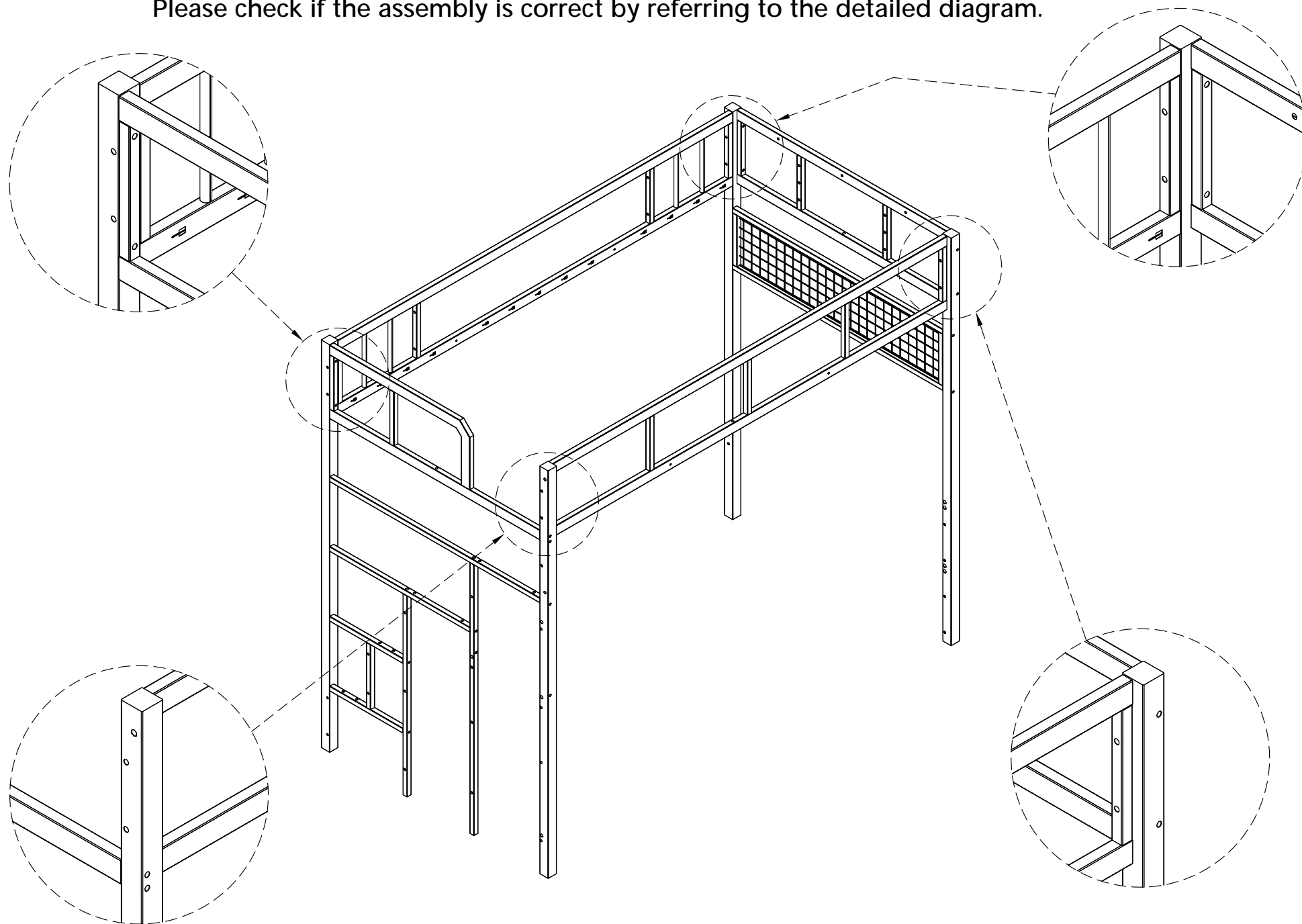
# STEP:5

Please make sure that the parts 52 and 56 are installed inward with this hole.

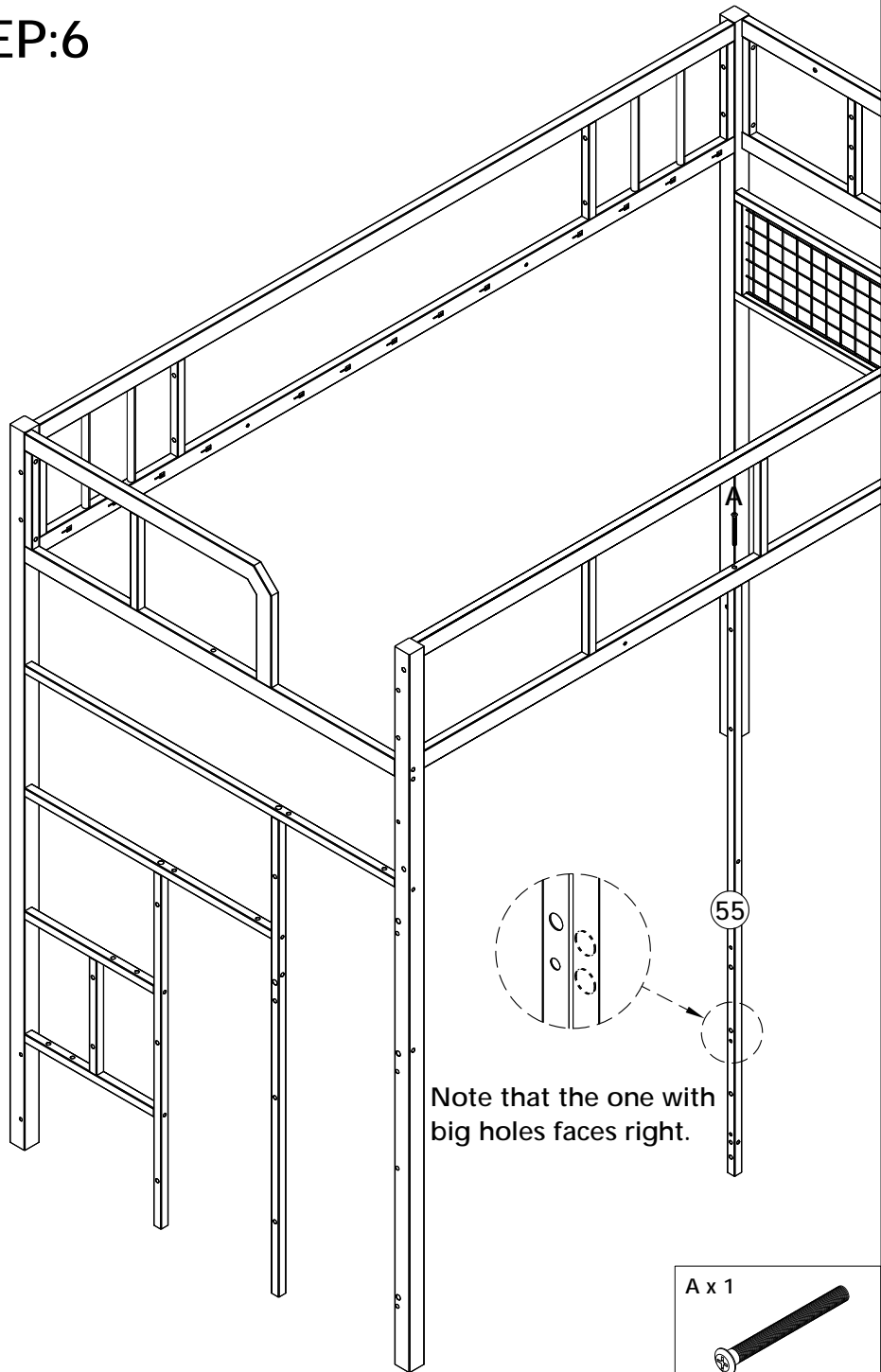


C x 8  M6x55	G x 8  M6x15
---	---

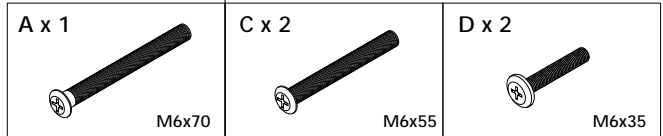
Please check if the assembly is correct by referring to the detailed diagram.



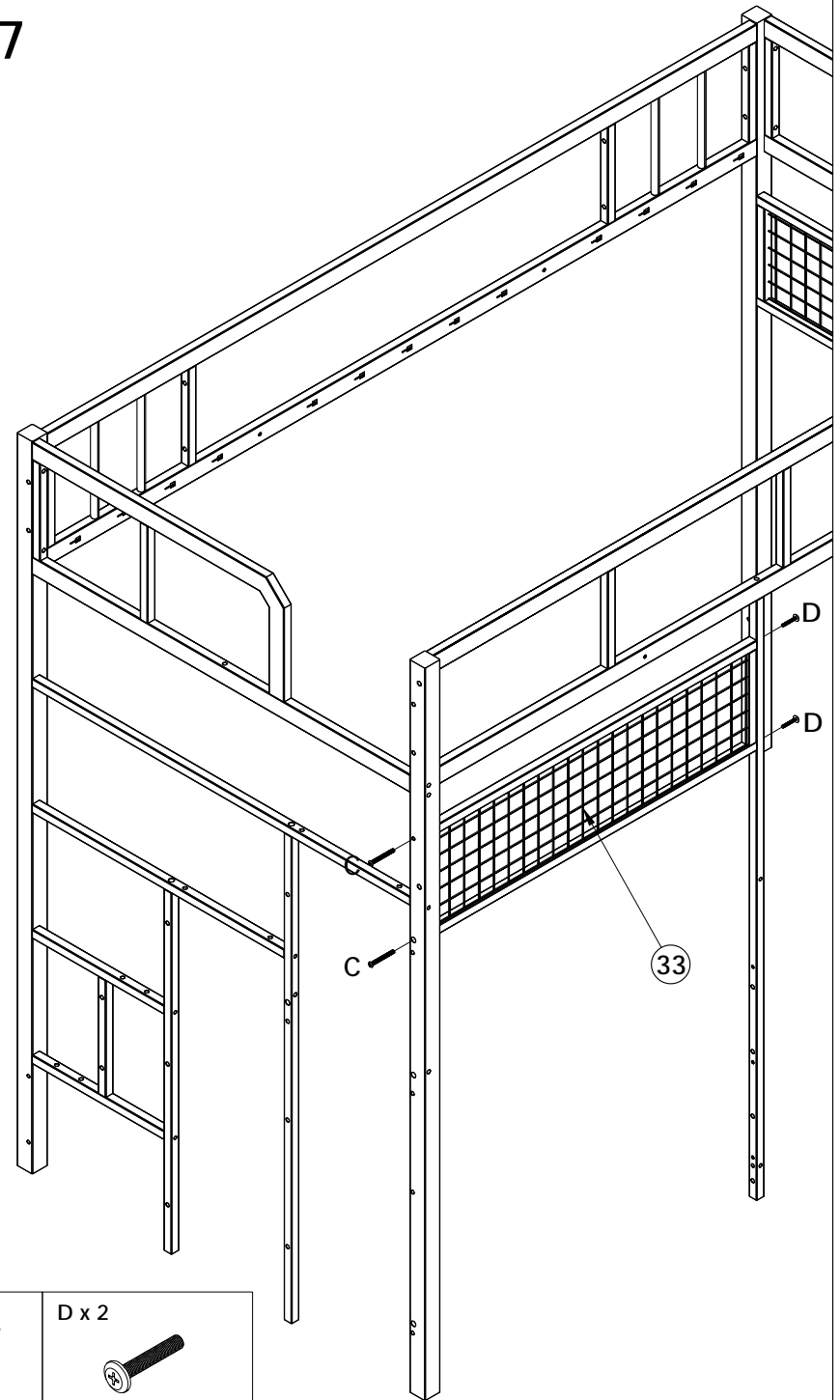
# STEP:6



Note that the one with big holes faces right.



# STEP:7



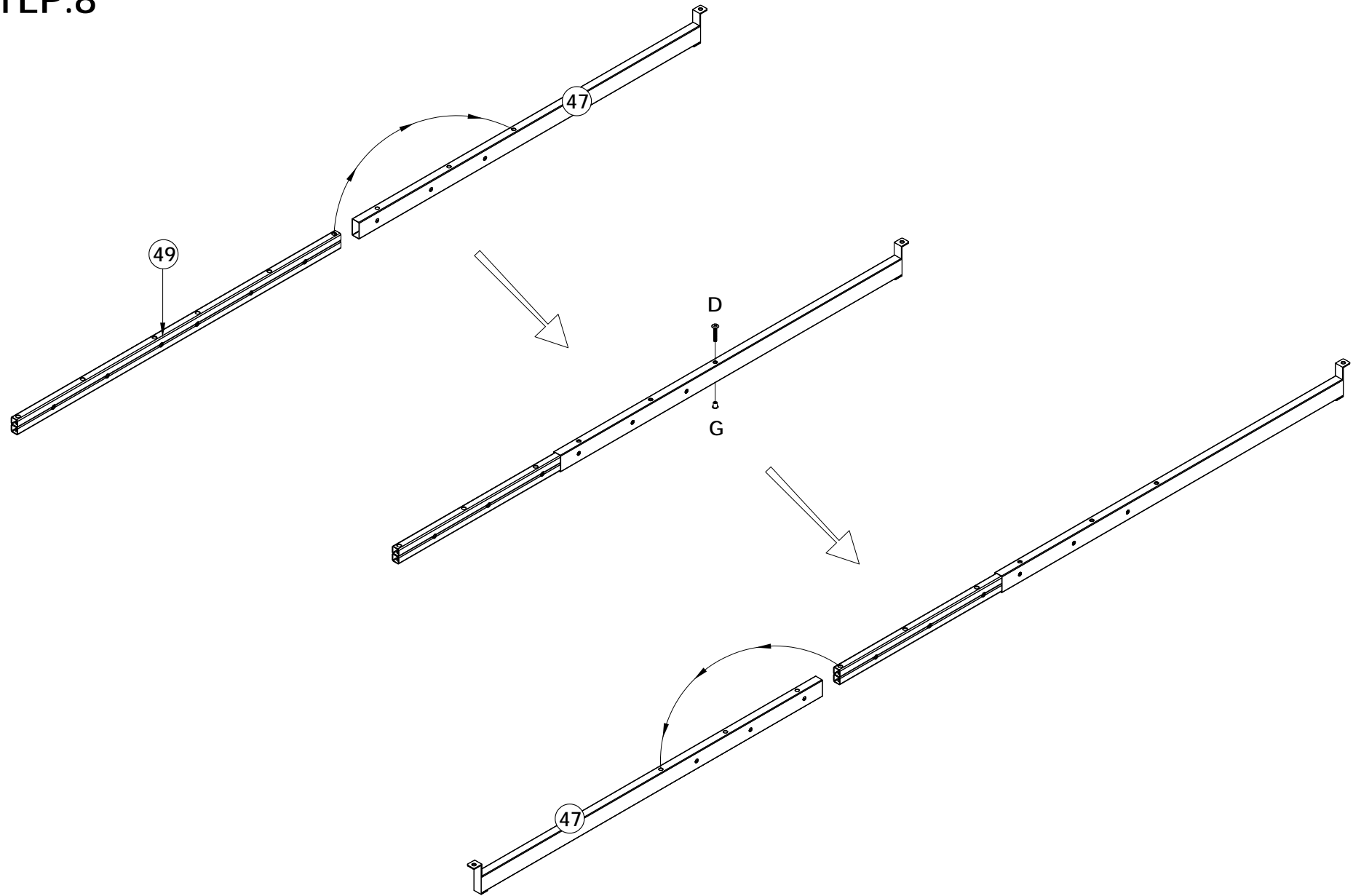
33



C

D

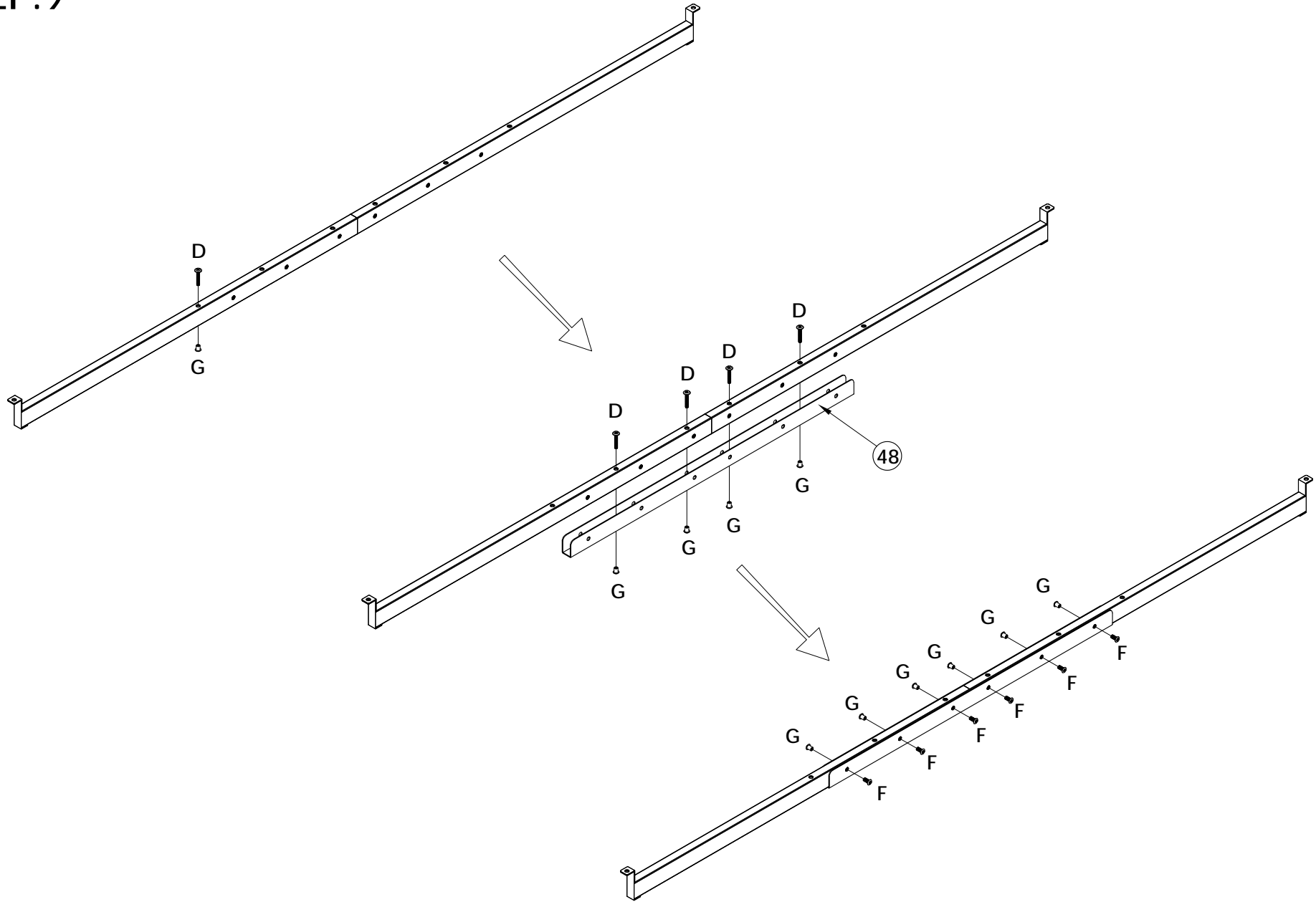
D




# STEP:8



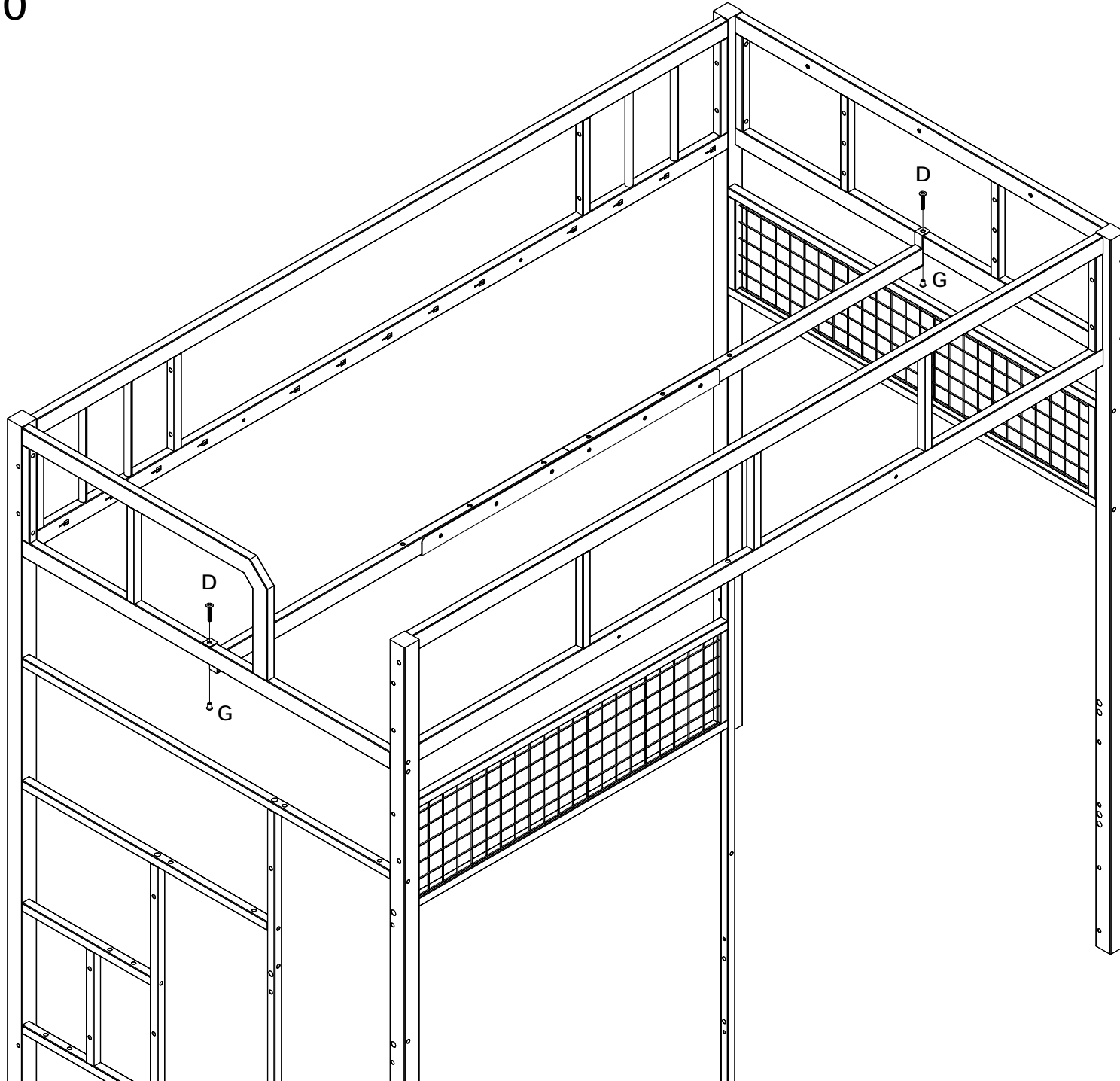
<p>D x 1</p>  <p>M6x35</p>	<p>G x 1</p>  <p>M6x15</p>
---	---



# STEP:9



D x 5  M6x35	F x 6  M6x15	G x 11  M6x15
---	---	--

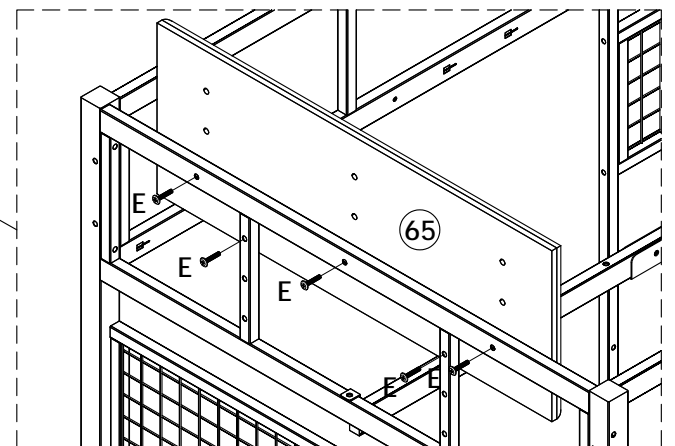
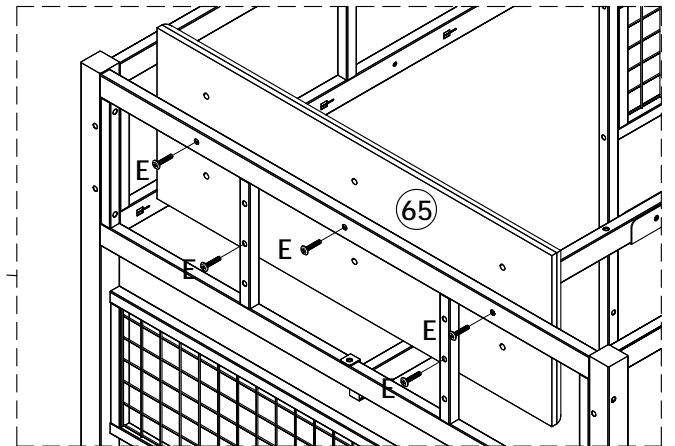
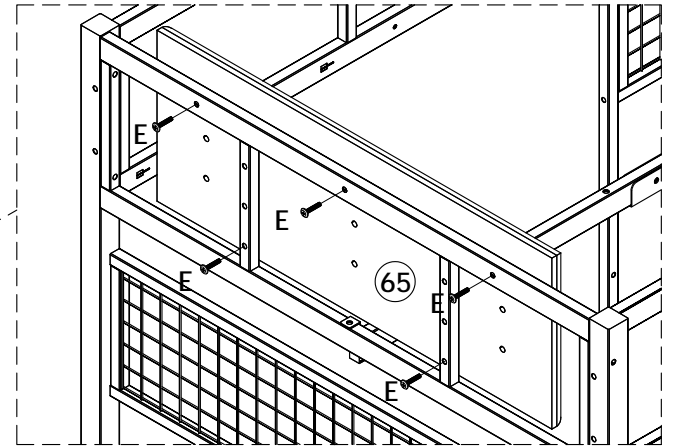
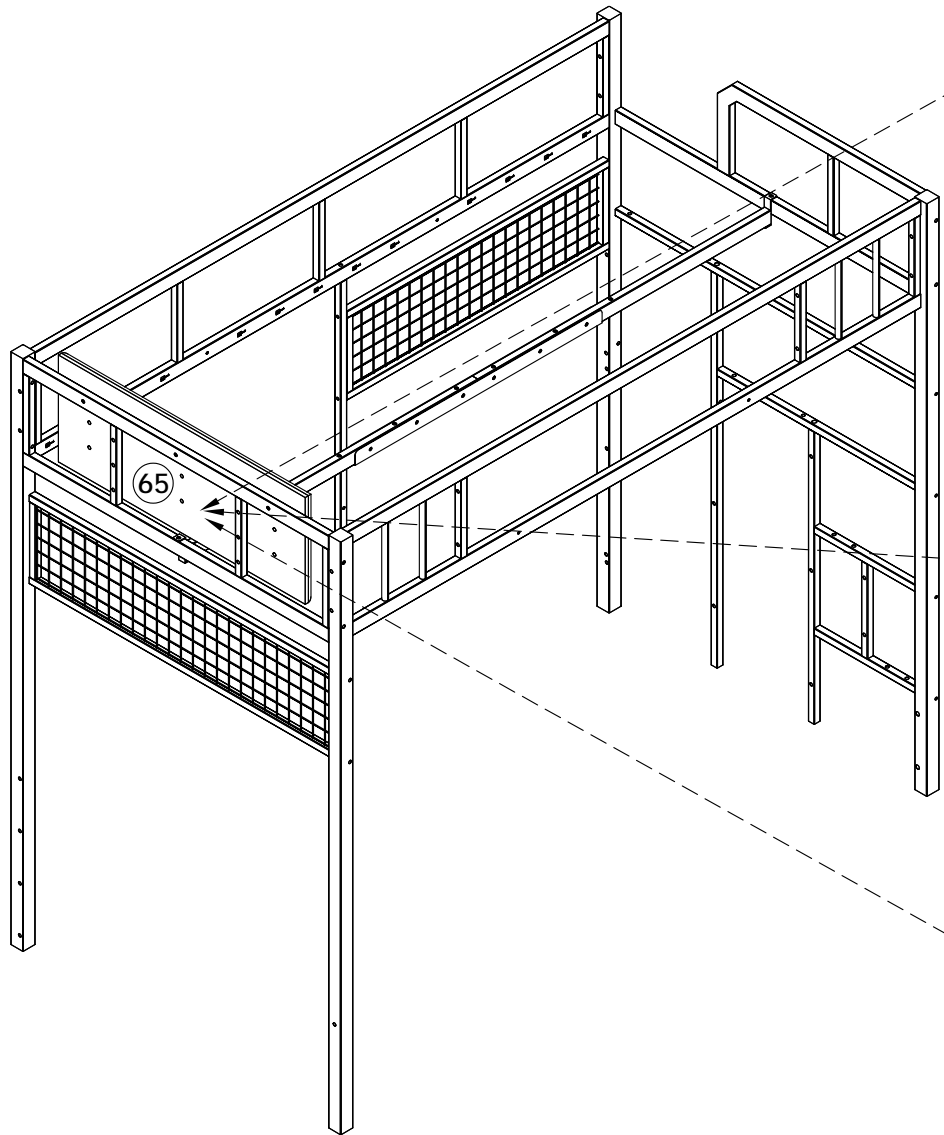
# STEP:10



D x 2		M6x35
G x 2		M6x15

# STEP:11

The up-and-down position of the plate 65 can be adjusted as required.

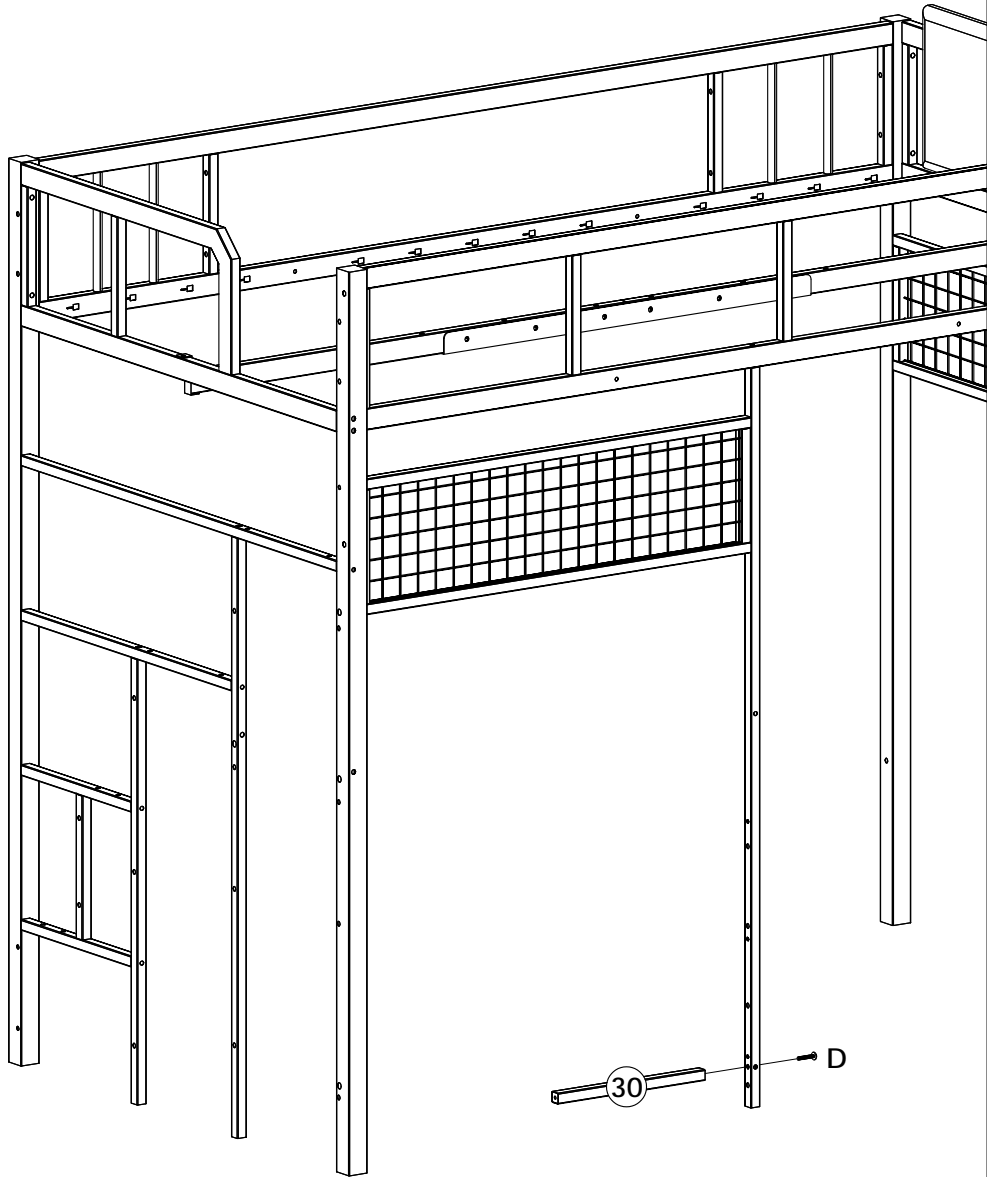


E x 5



M6x30

# STEP:12

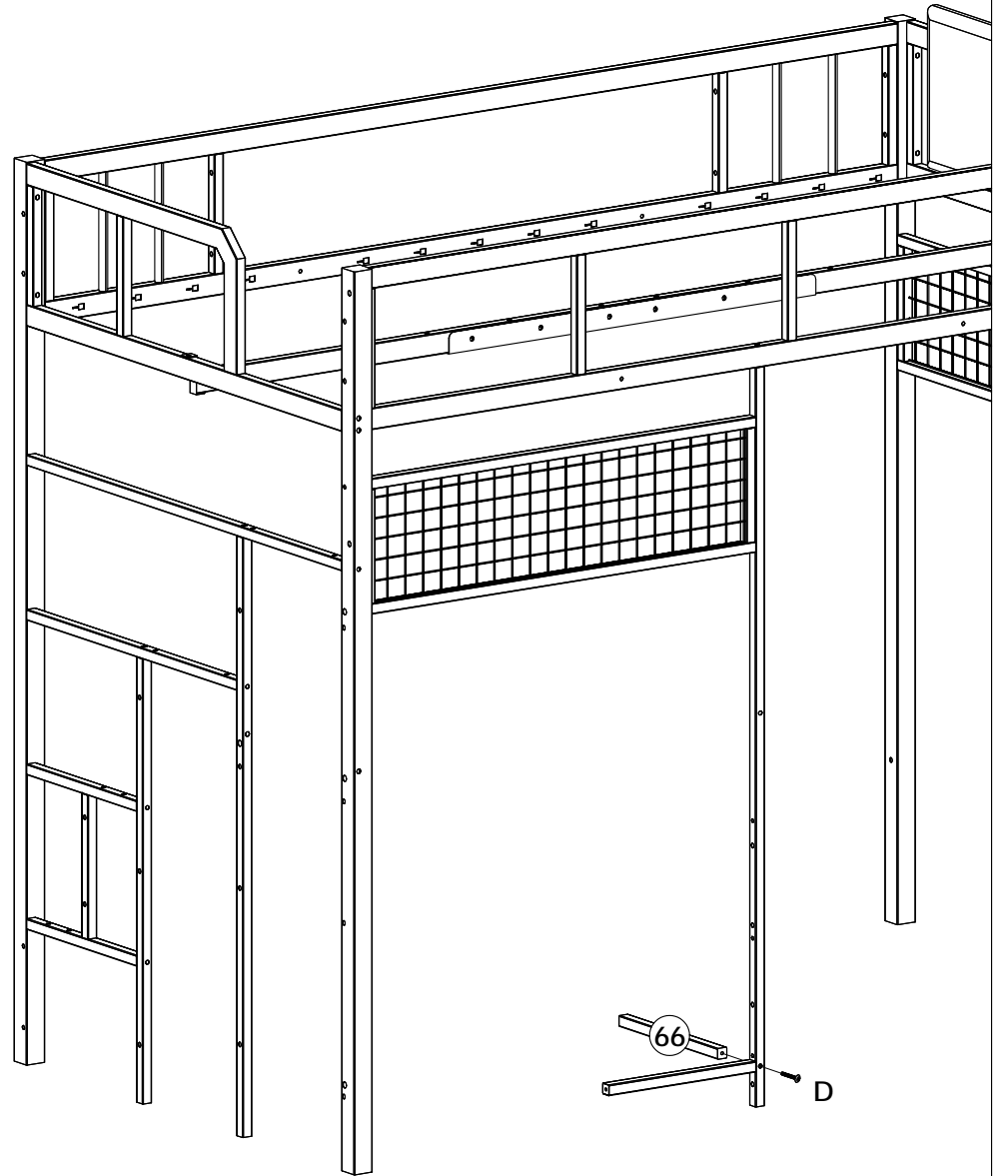


D x 1



M6x35

# STEP:13

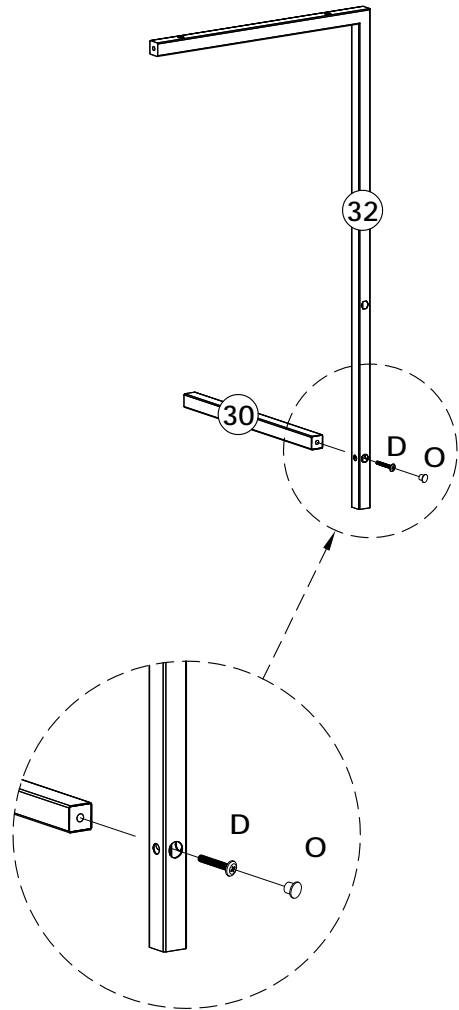


D x 1



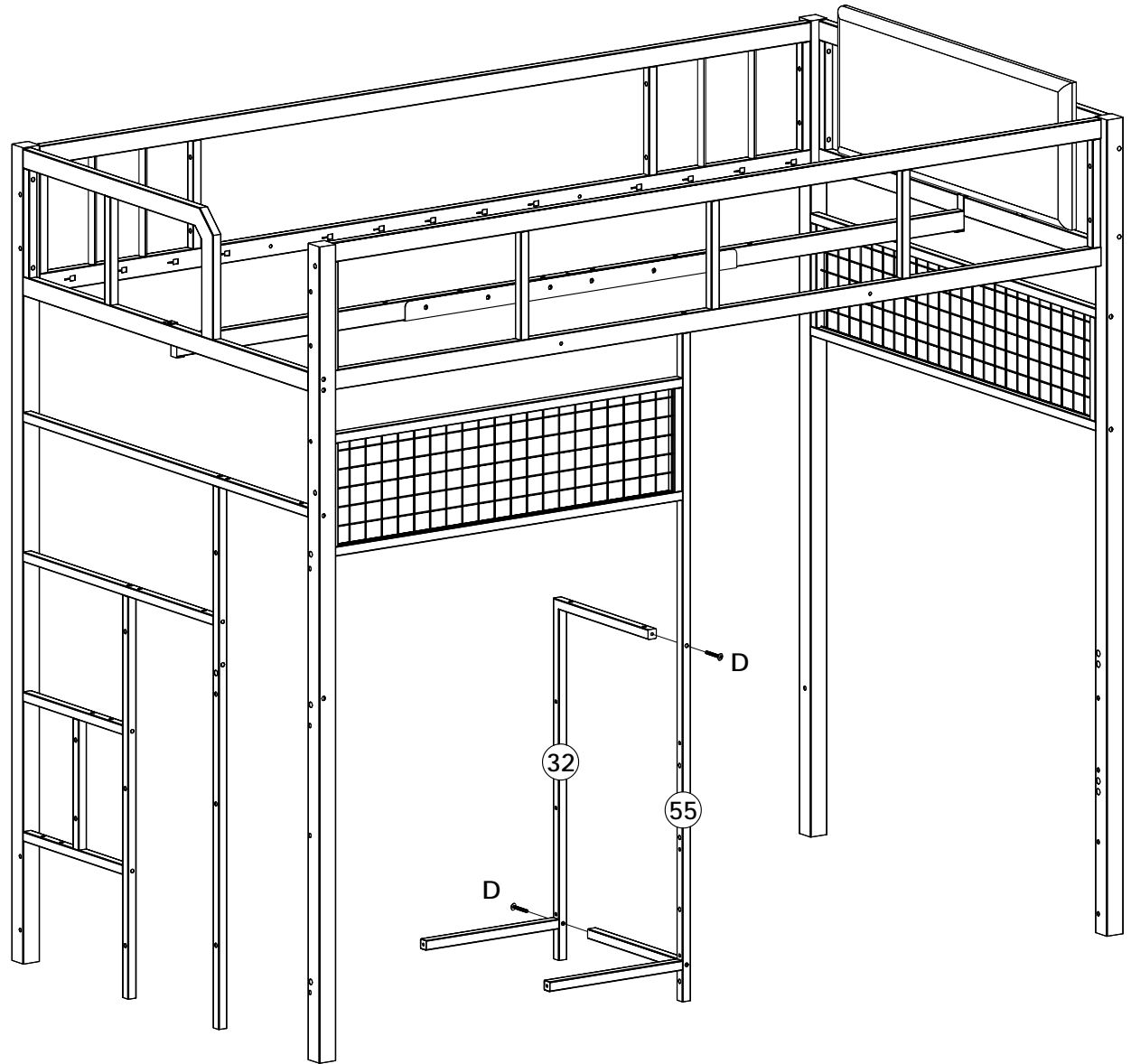
M6x35

# STEP:14



Insert the screw from the big hole, tighten the screw and insert the hardware O.

# STEP:15



D x 1



M6x35

O x 1



D x 2



M6x35

# STEP:16



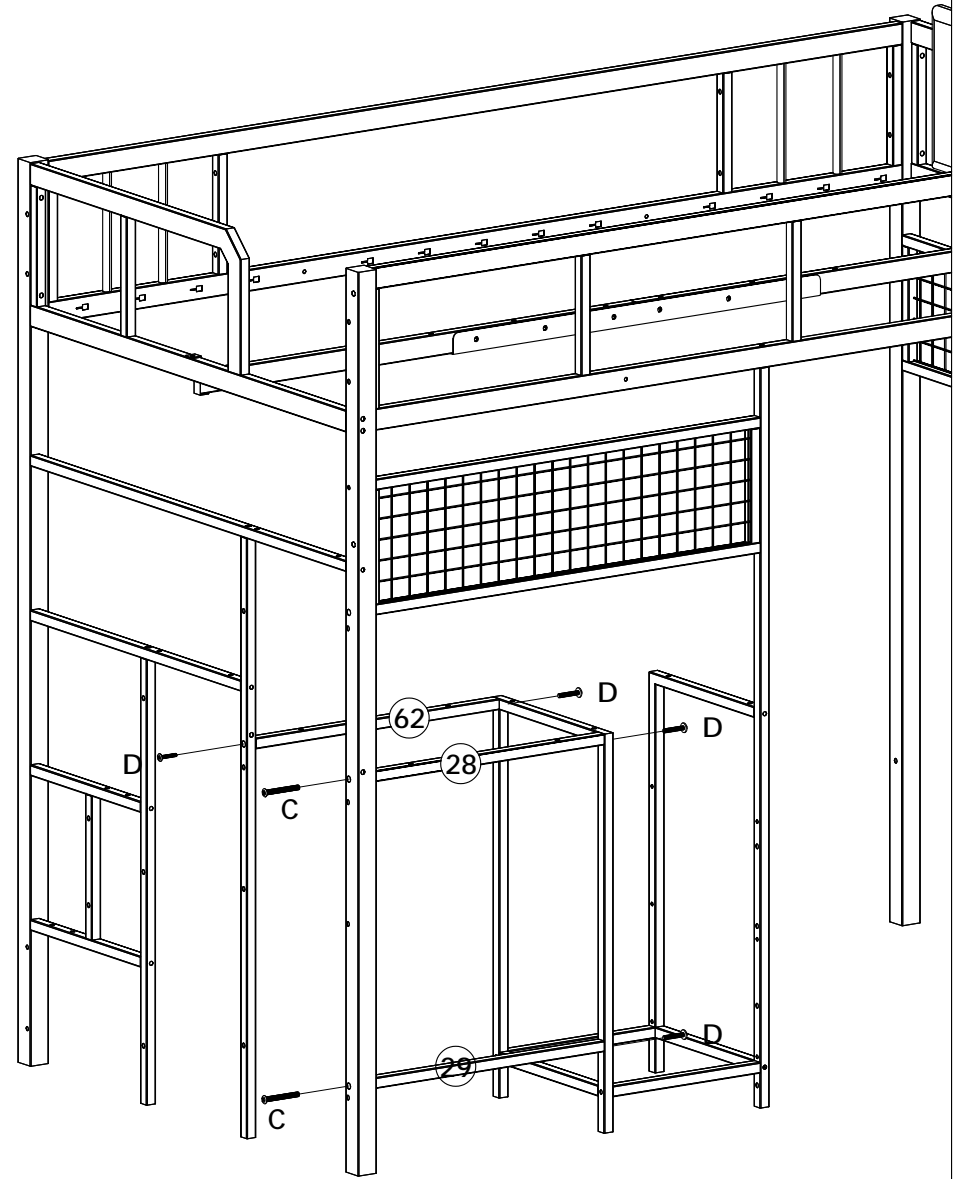
The face with impermeable holes faces to the right.

D x 2



M6x35

# STEP:17



C x 2



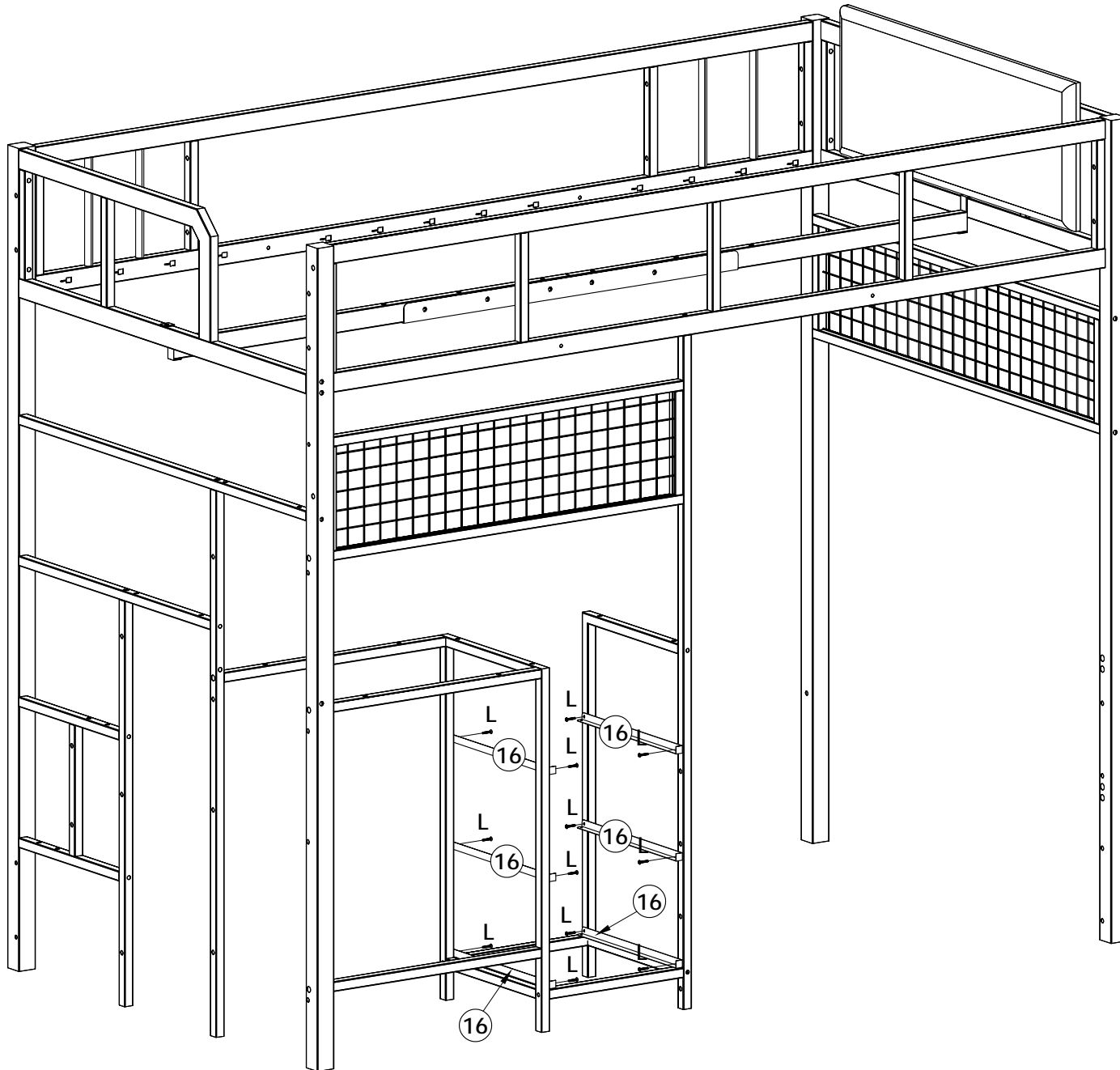
M6x55

D x 4



M6x35

# STEP:18

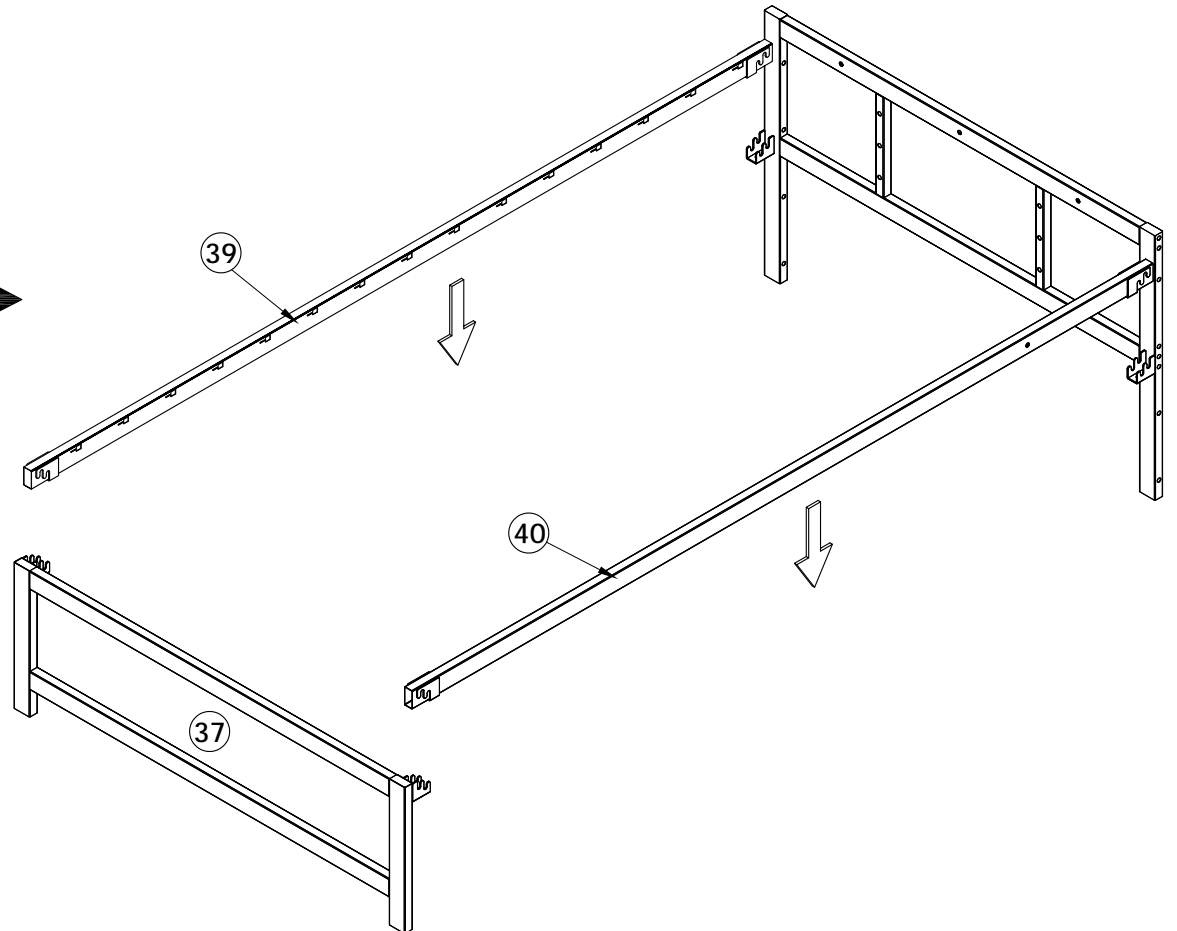
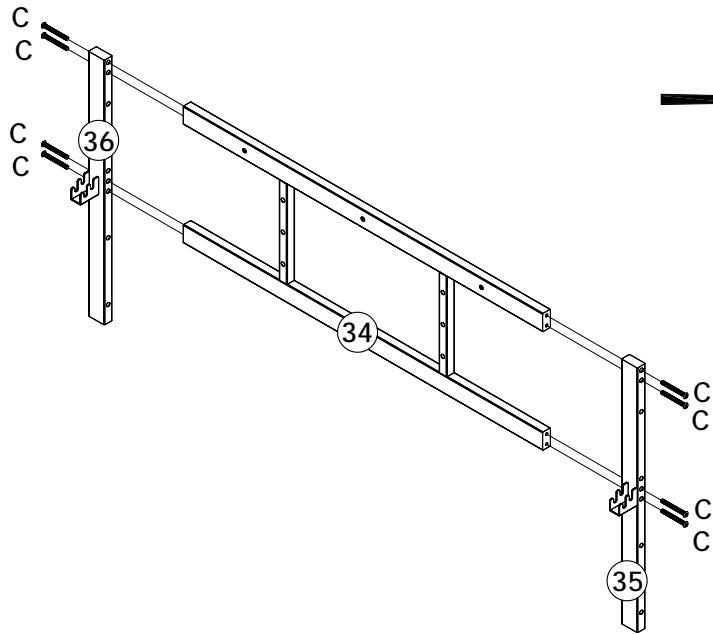


L x 12



M4x15

# STEP:19



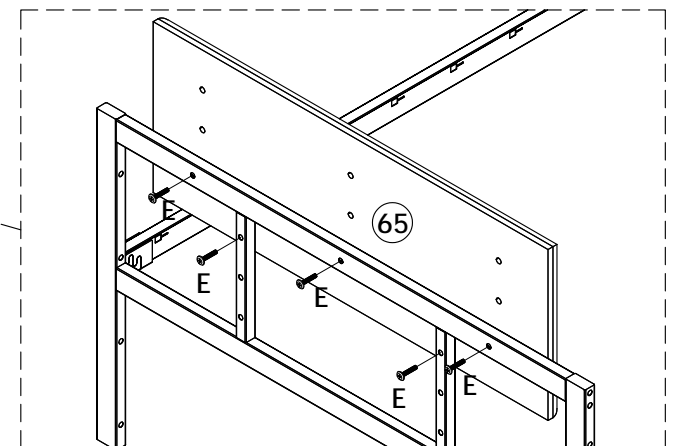
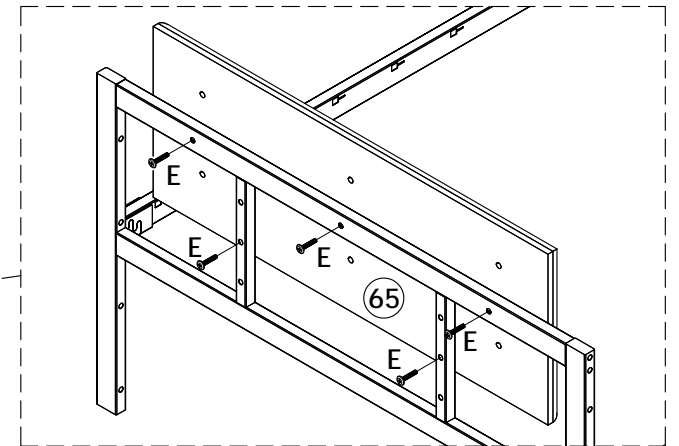
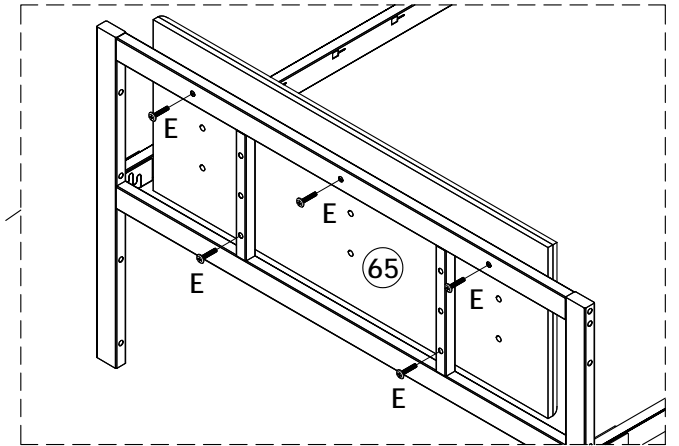
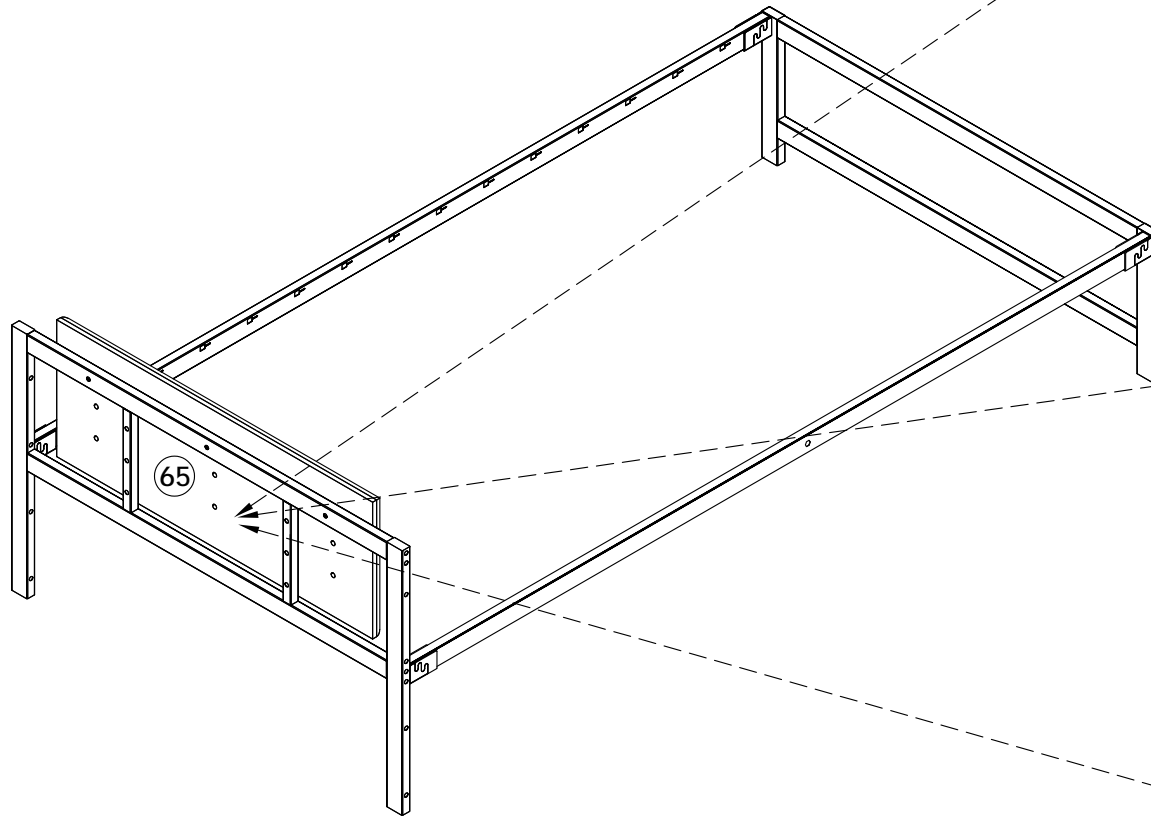
C x 8



M6x55

# STEP:20

The up-and-down position of the plate 65 can be adjusted as required.

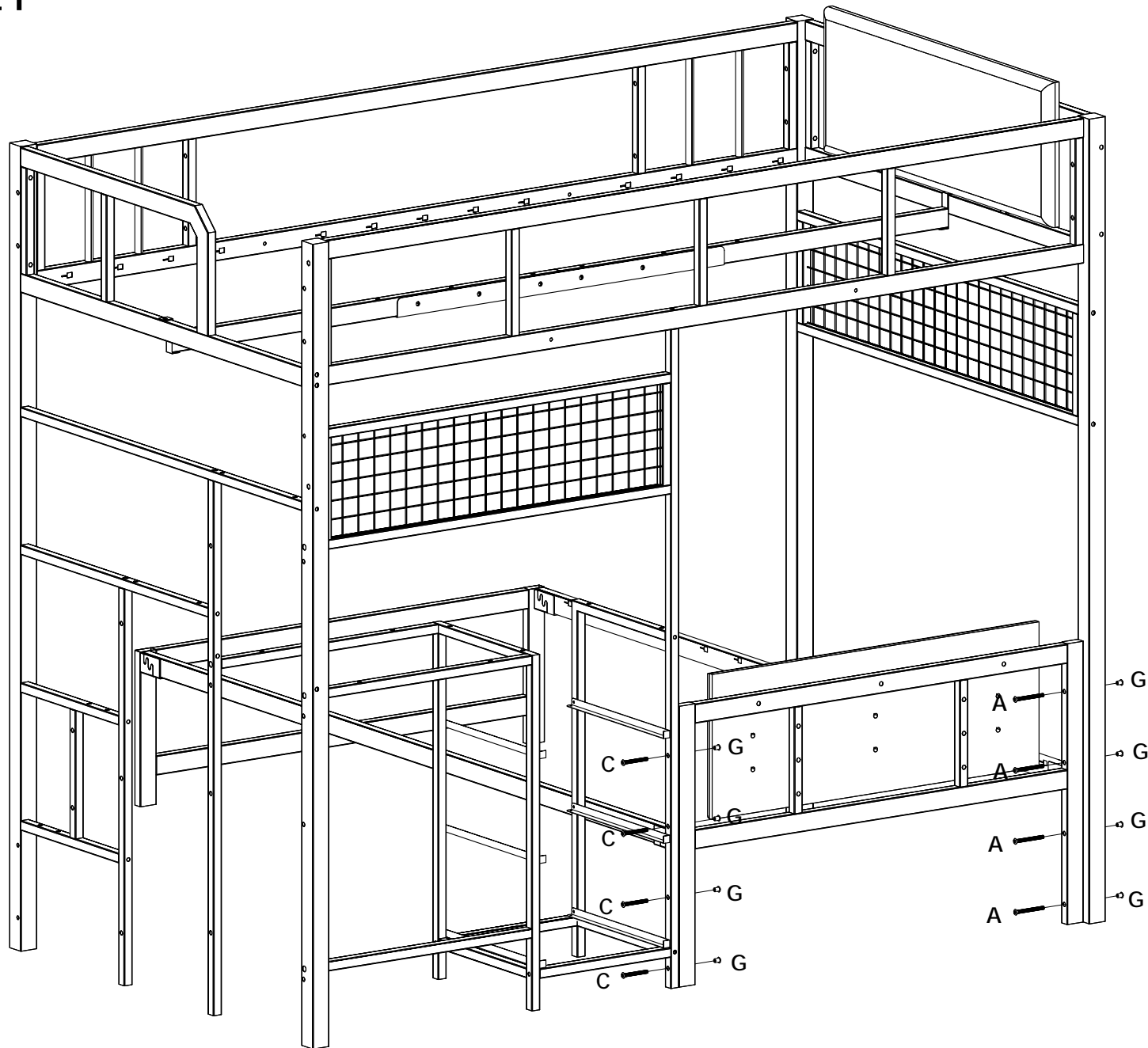





E x 5



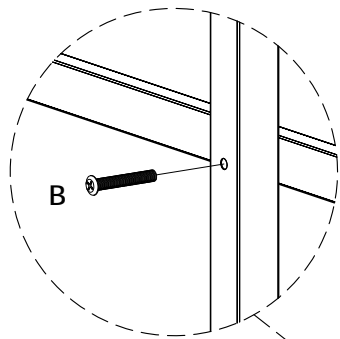
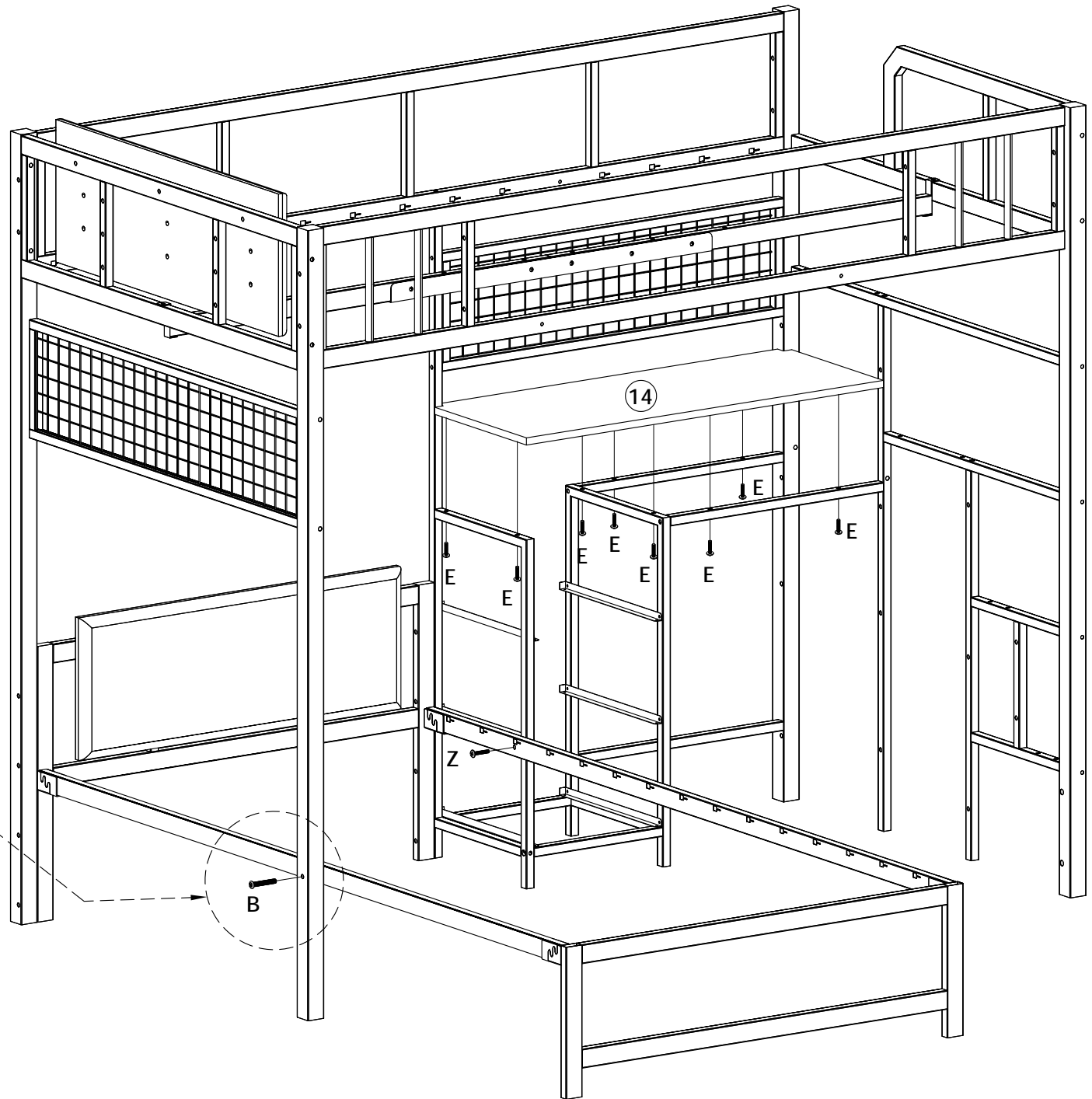
M6x30

# STEP:21



- A x 4  
  
M6x70
- C x 4  
  
M6x55
- G x 8  
  
M6x15

# STEP:22



B x 1



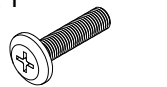
M8x55

E x 8



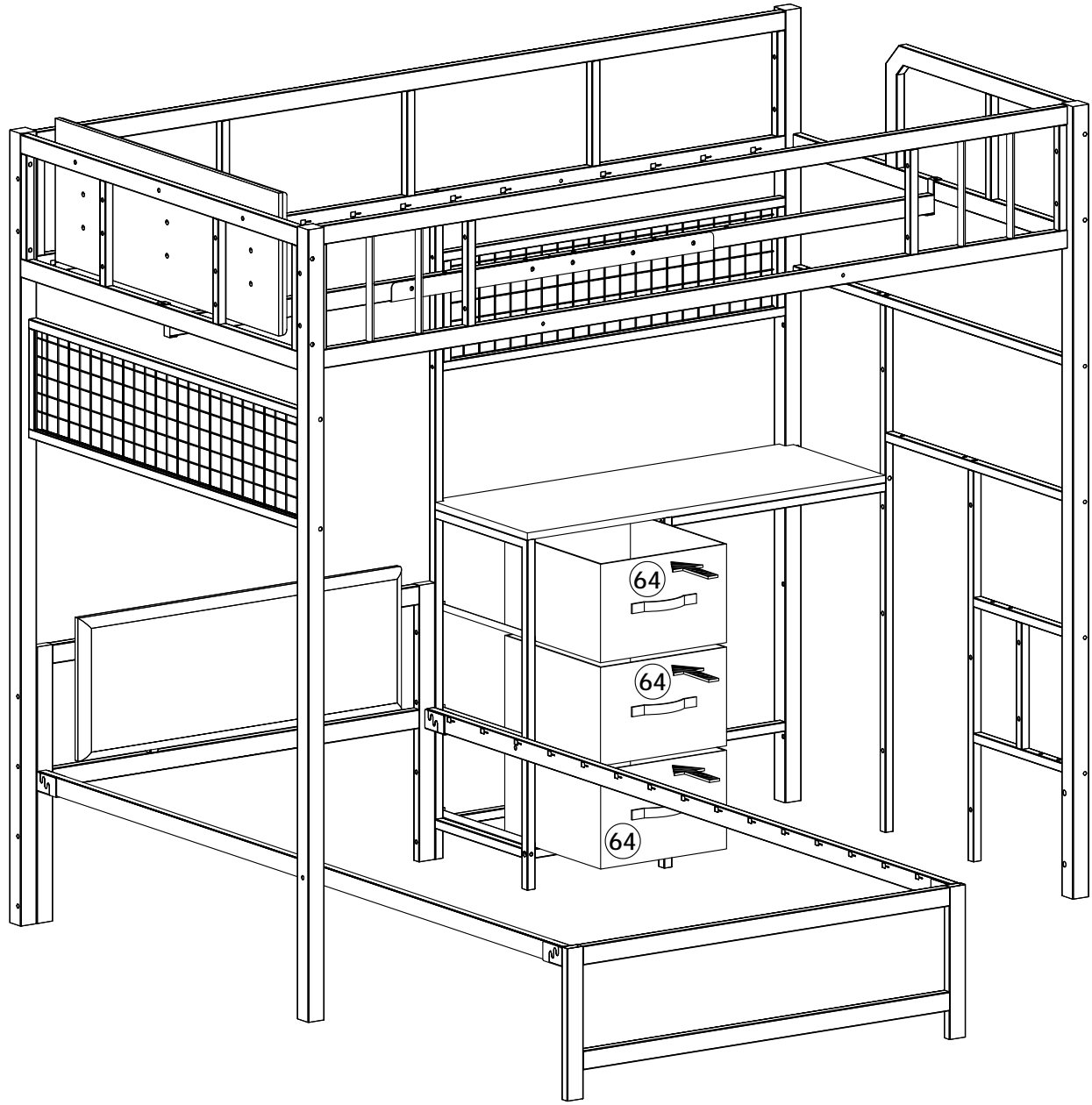
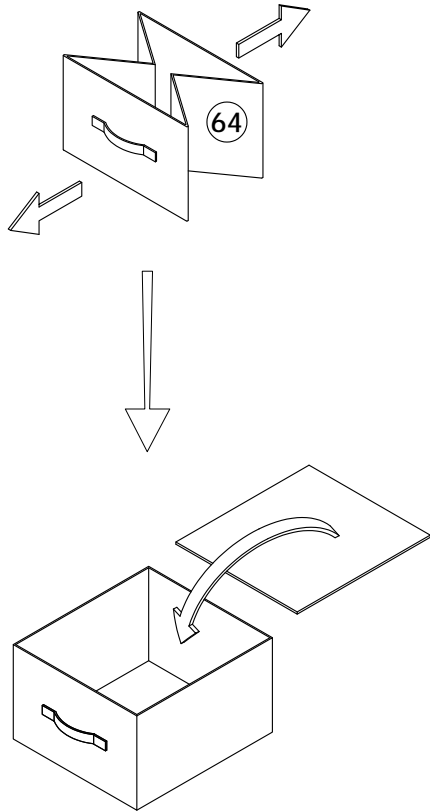
M6x30

Z x 1

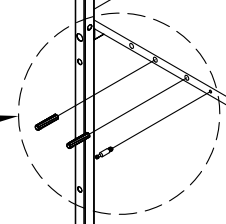
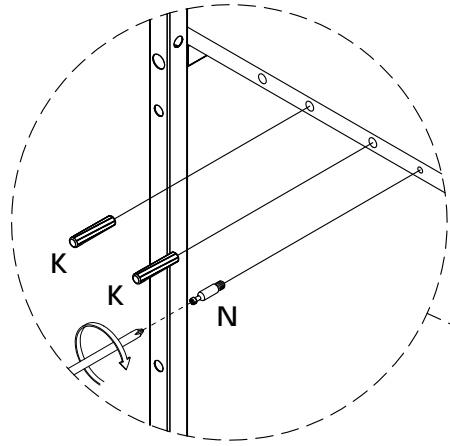
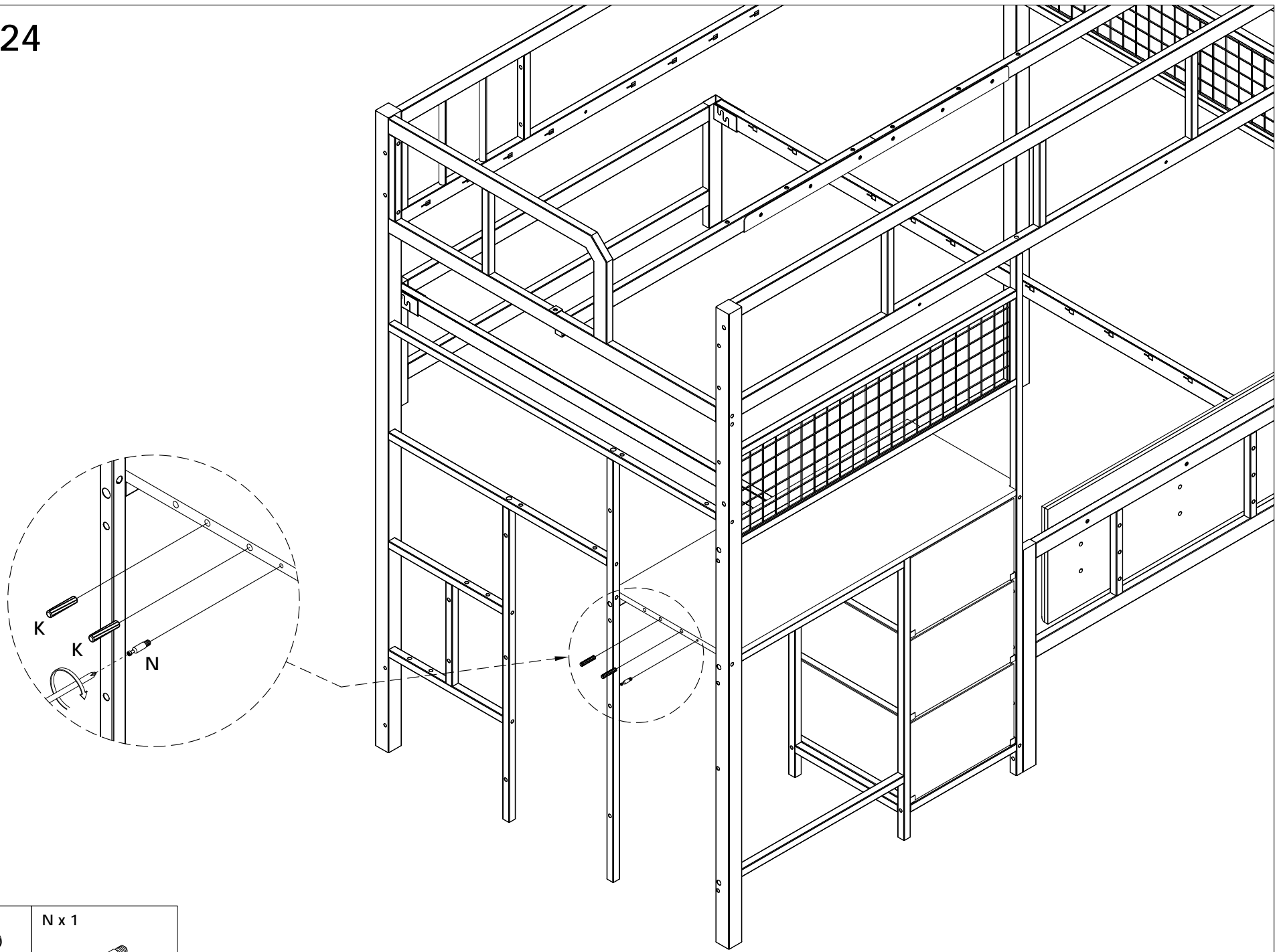


M8x35

# STEP:23

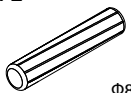


# STEP:24



K x 2

N x 1

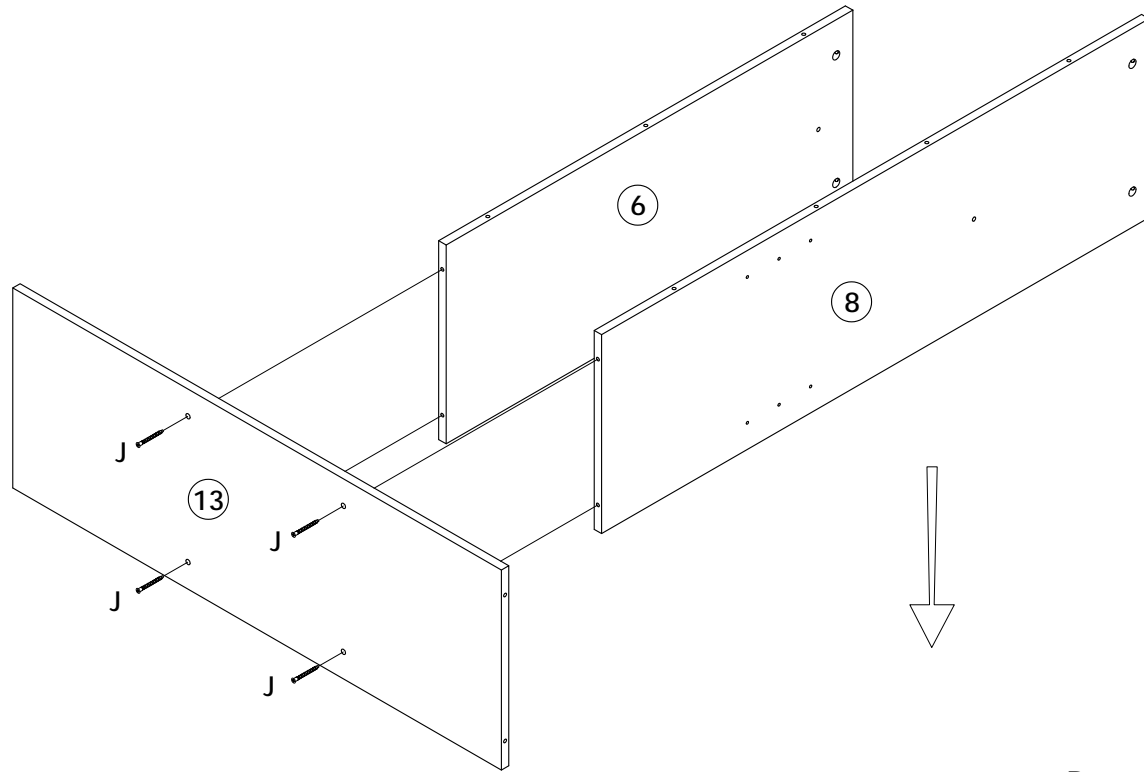


Φ8x40

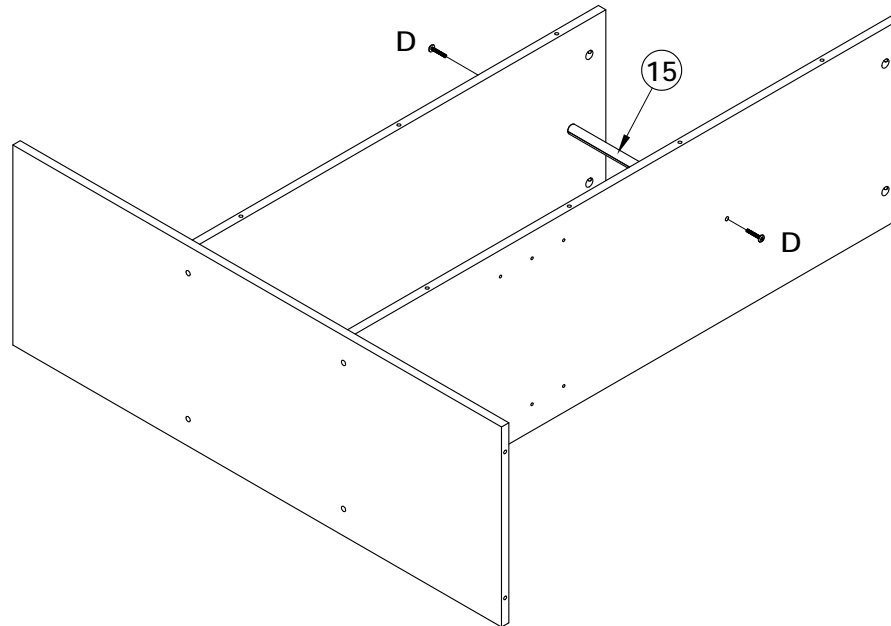
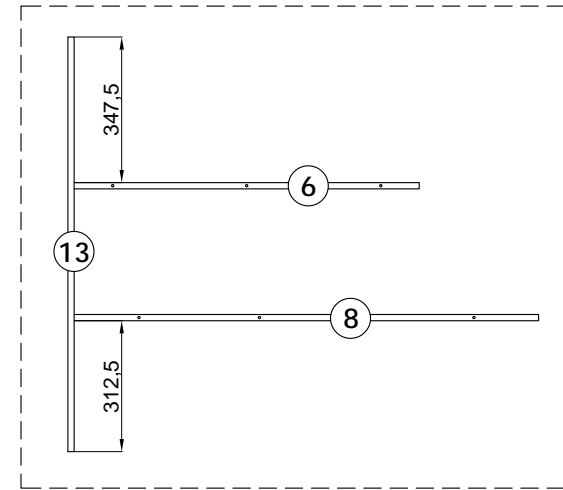


Φ6x32

# STEP:25



When installing, please pay attention to the orientation of plate 13.



D x 2



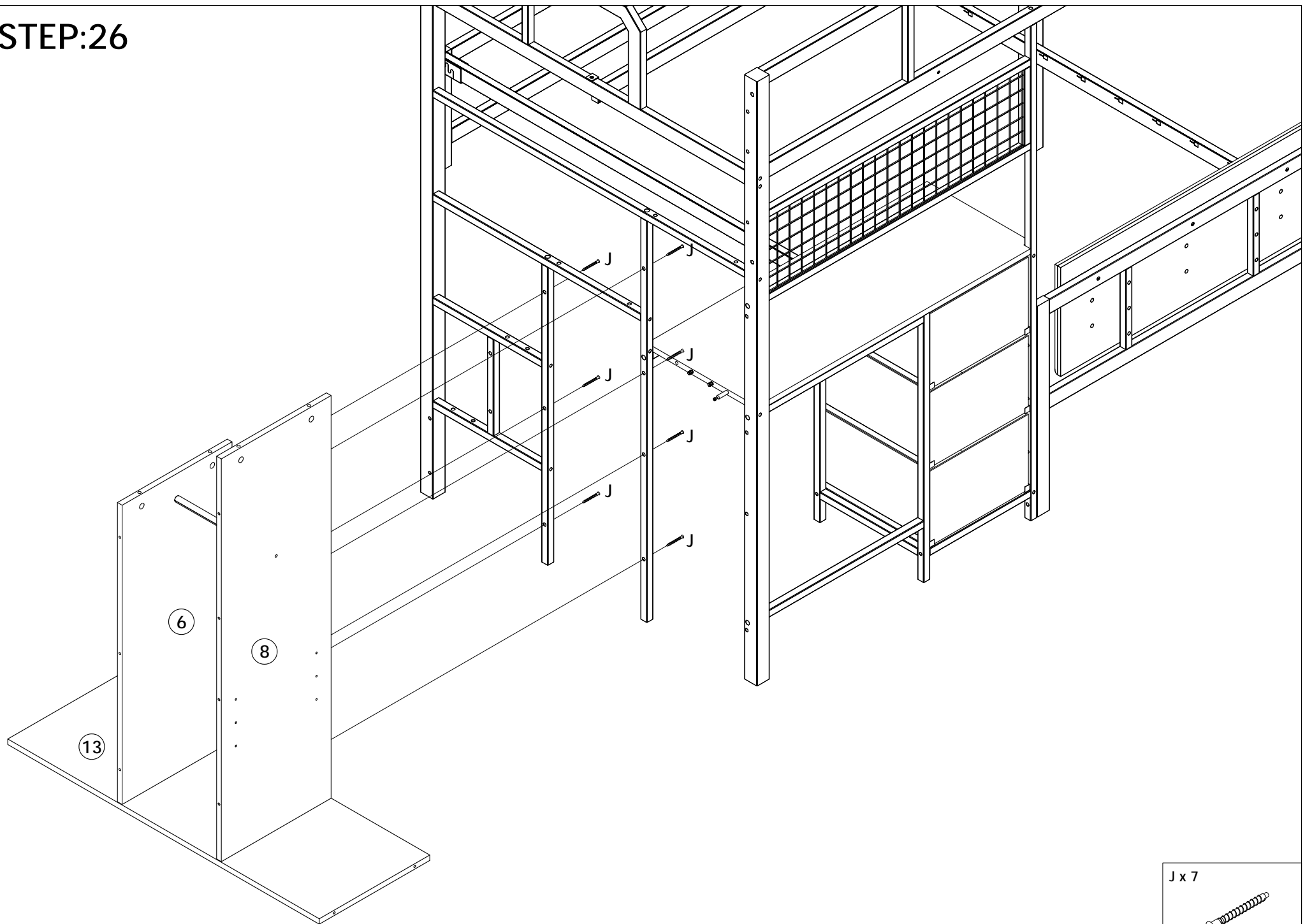
M6x35

J x 4



M7x50

# STEP:26

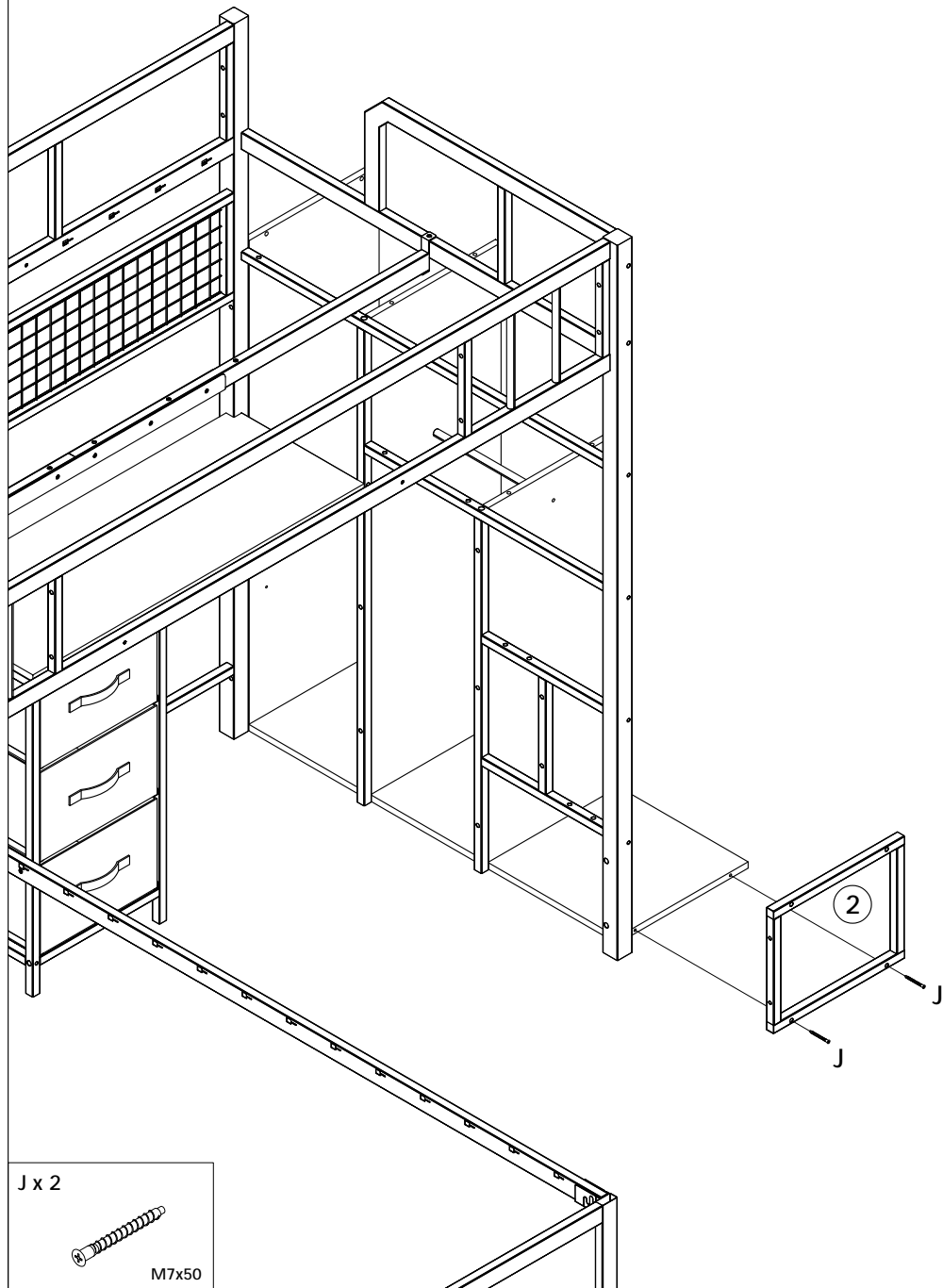


J x 7

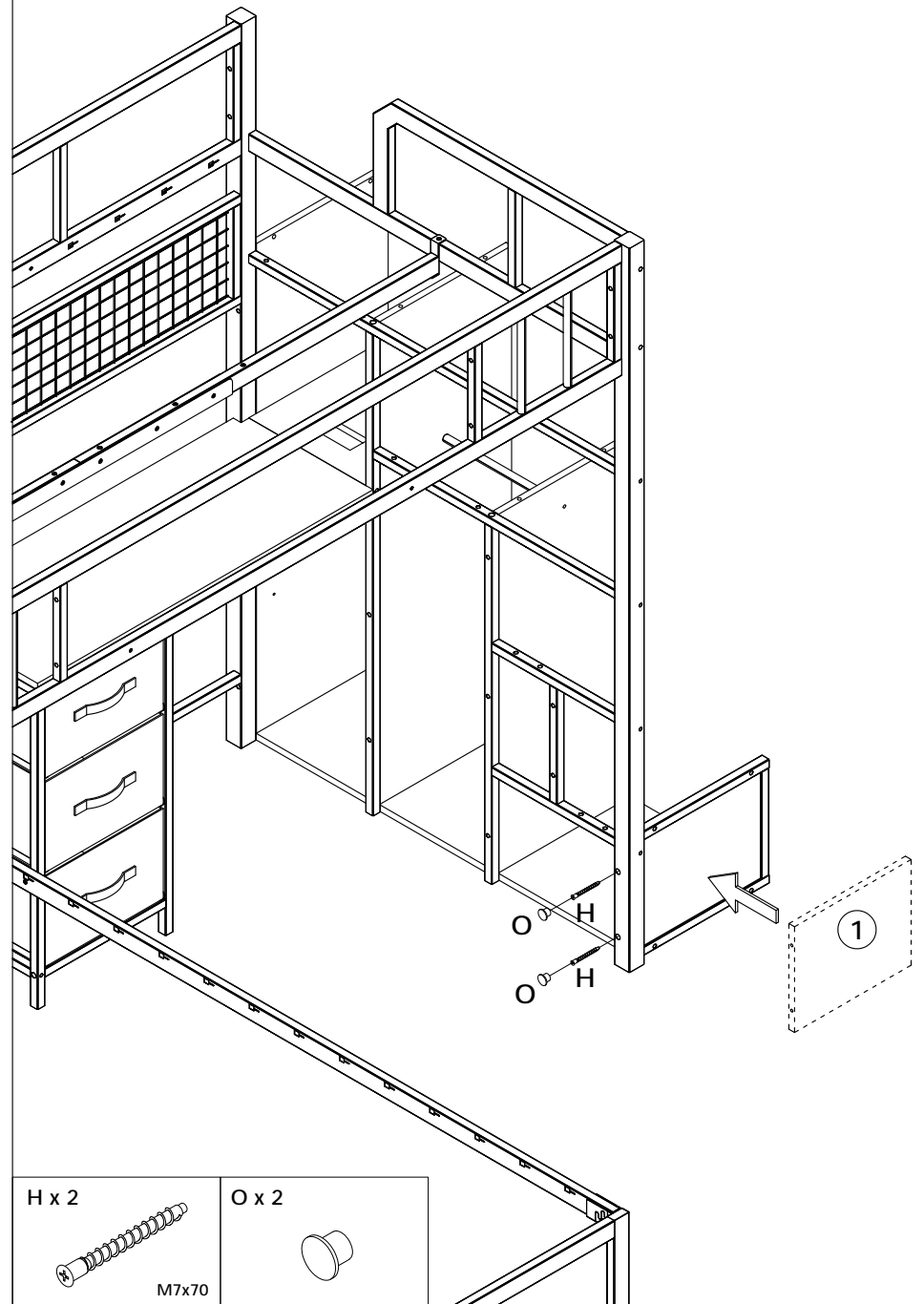


M7x50

# STEP:27

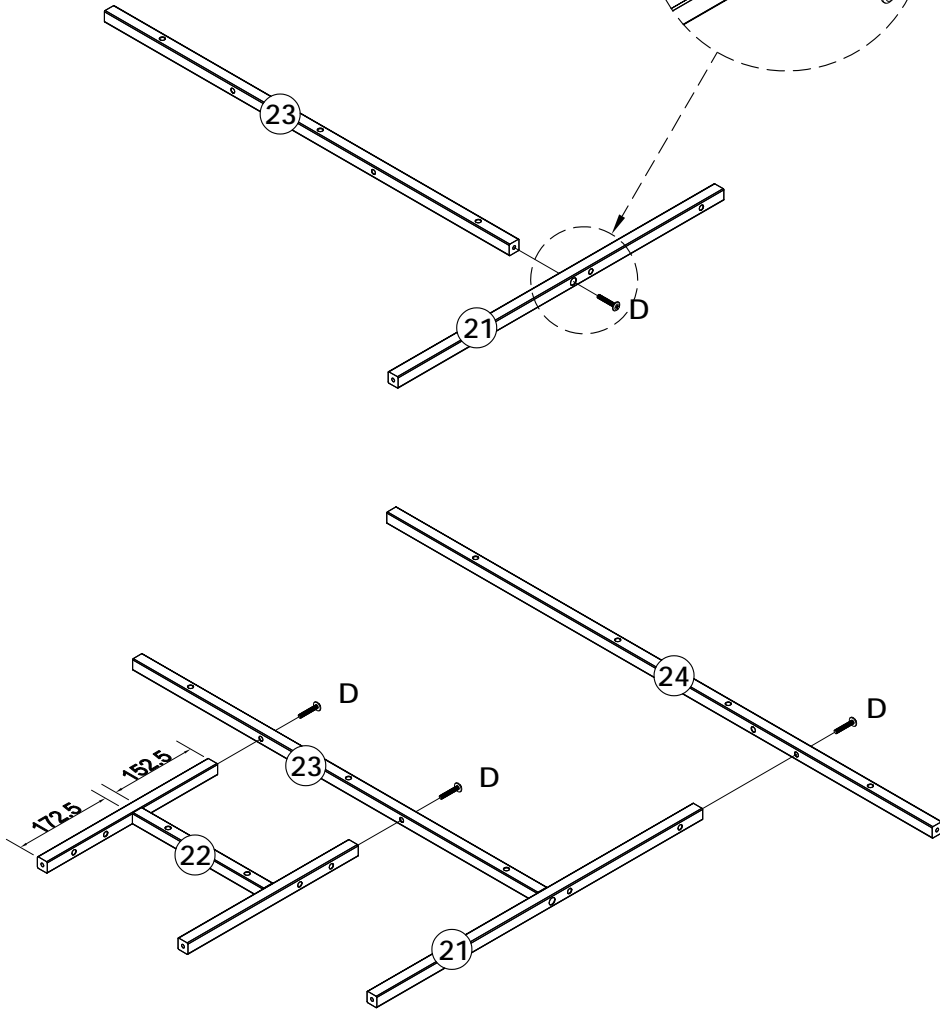
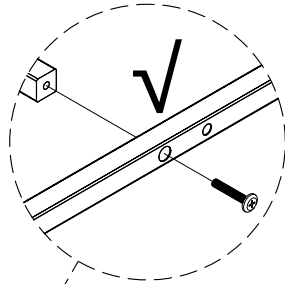


# STEP:28



# STEP:29

Here, screw is inserted from the large hole surface.



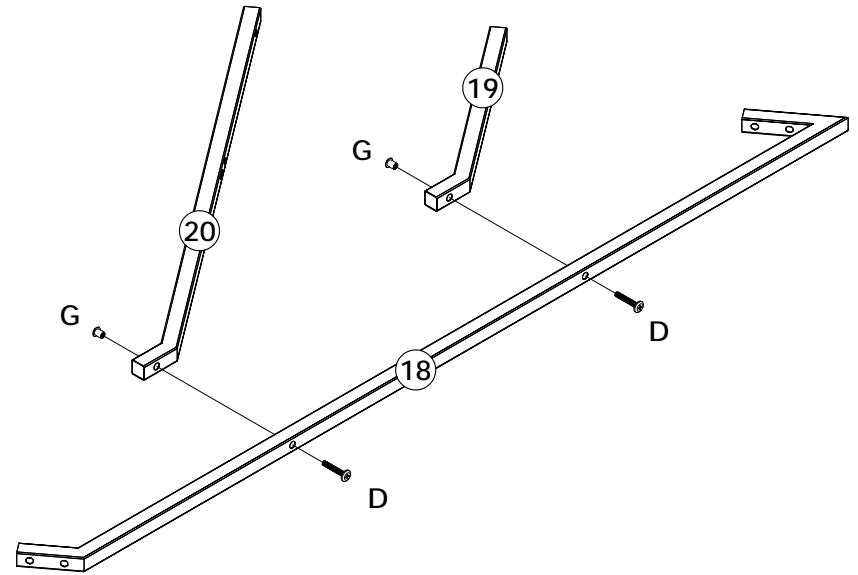
Pay attention to the holes and assemble according to the instructions.

D x 4



M6x35

# STEP:30



D x 2



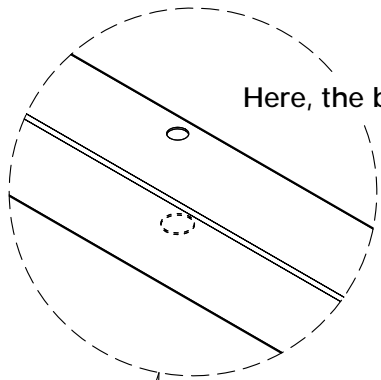
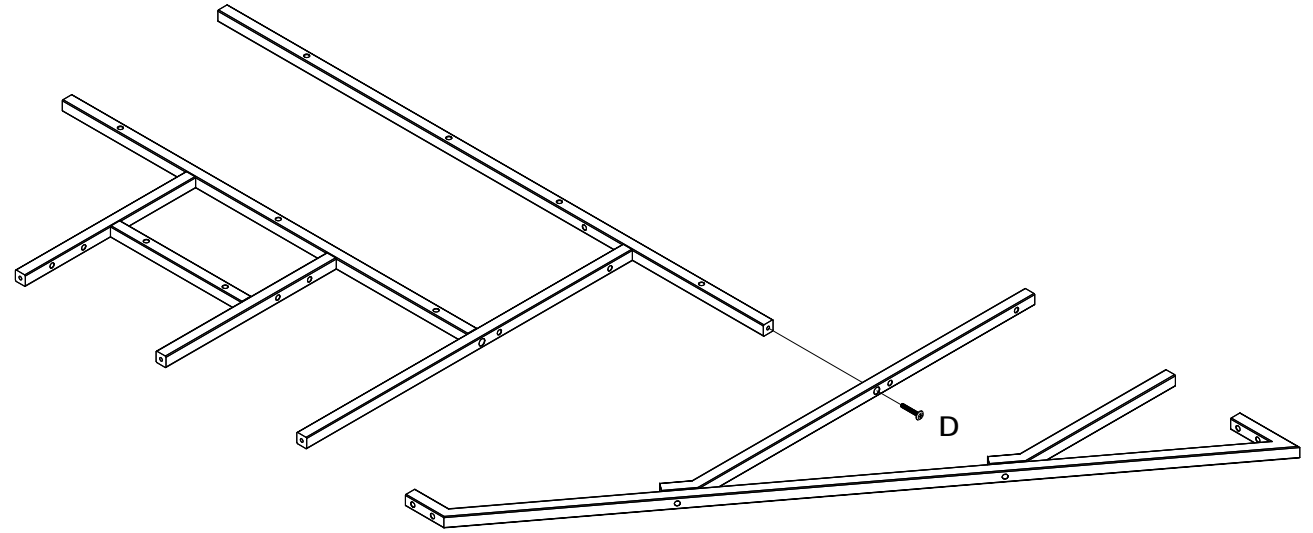
M6x35

G x 2

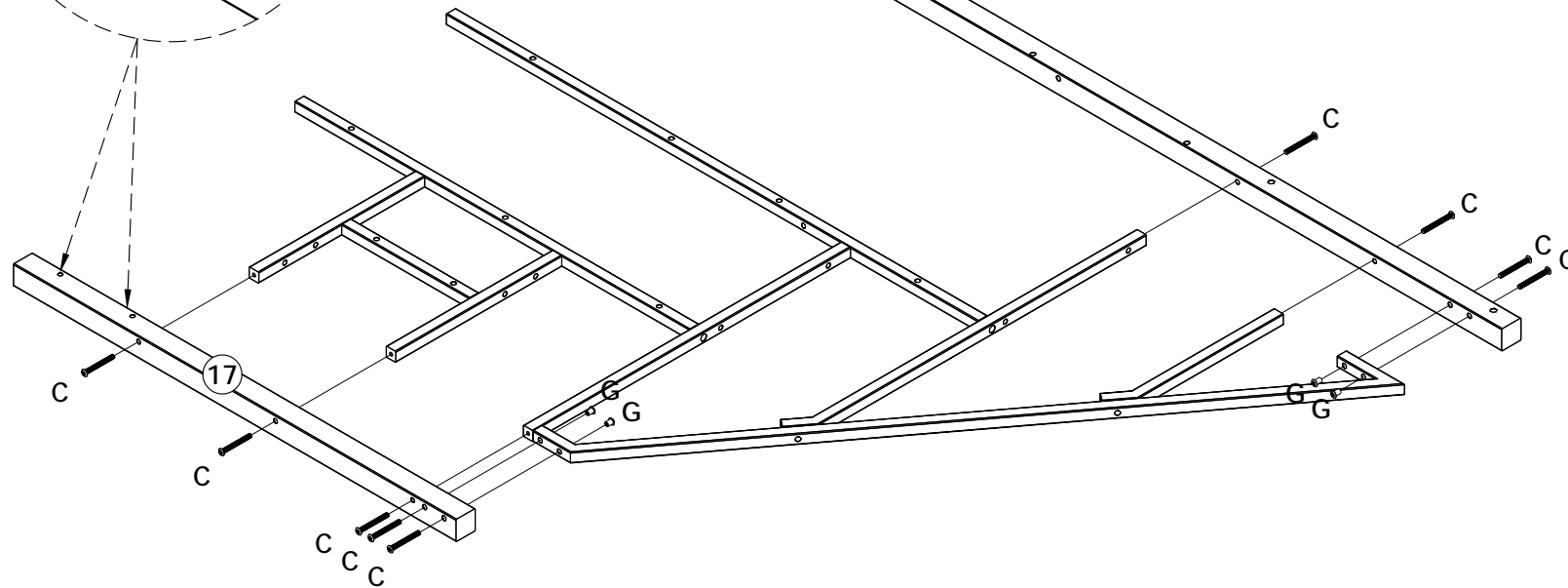
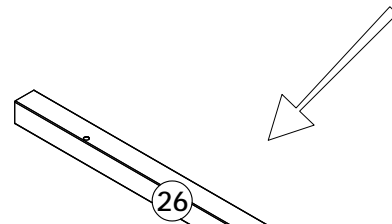





M6x15

# STEP:31

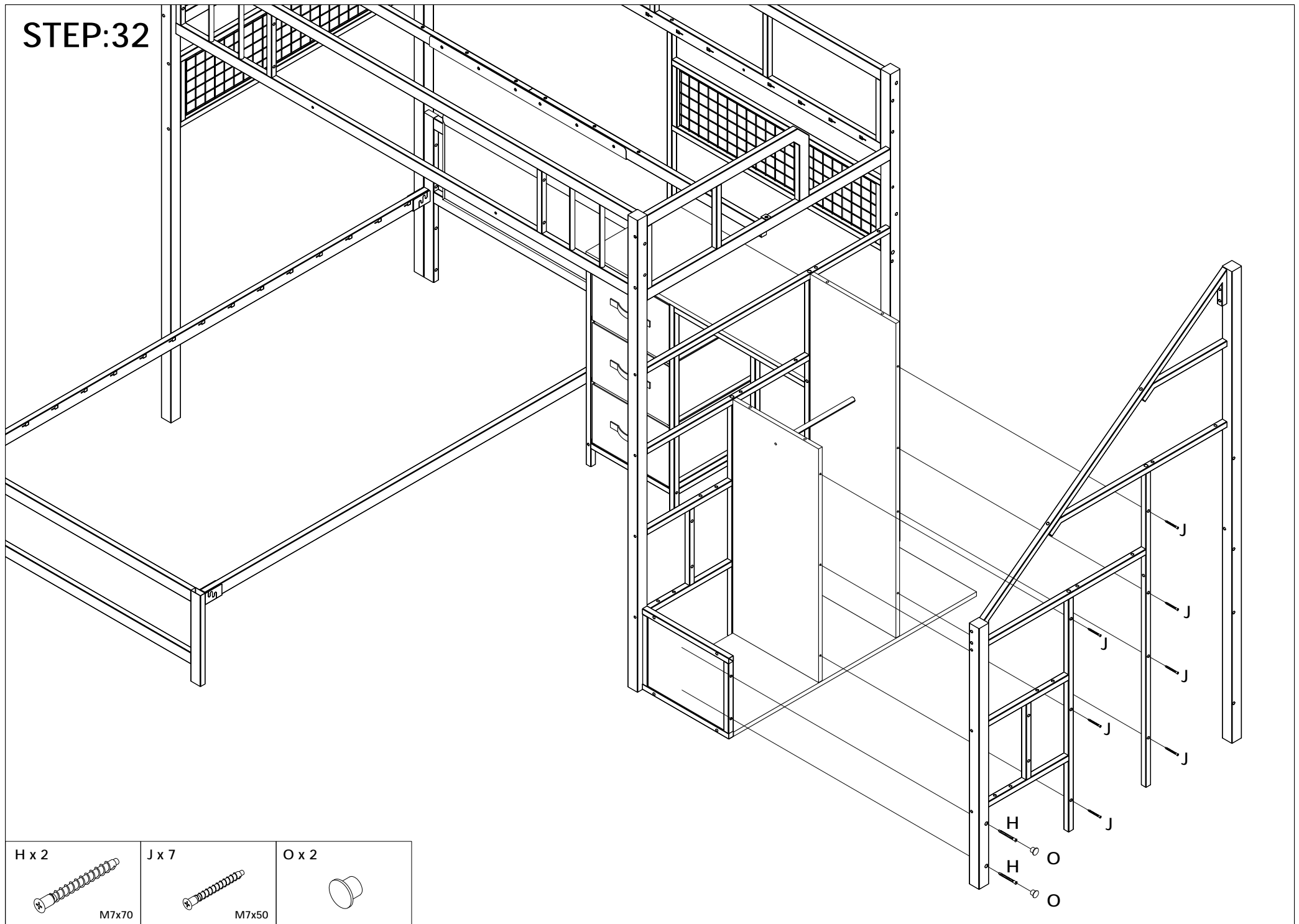


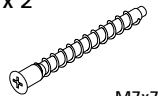

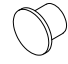
Here, the big hole faces down.



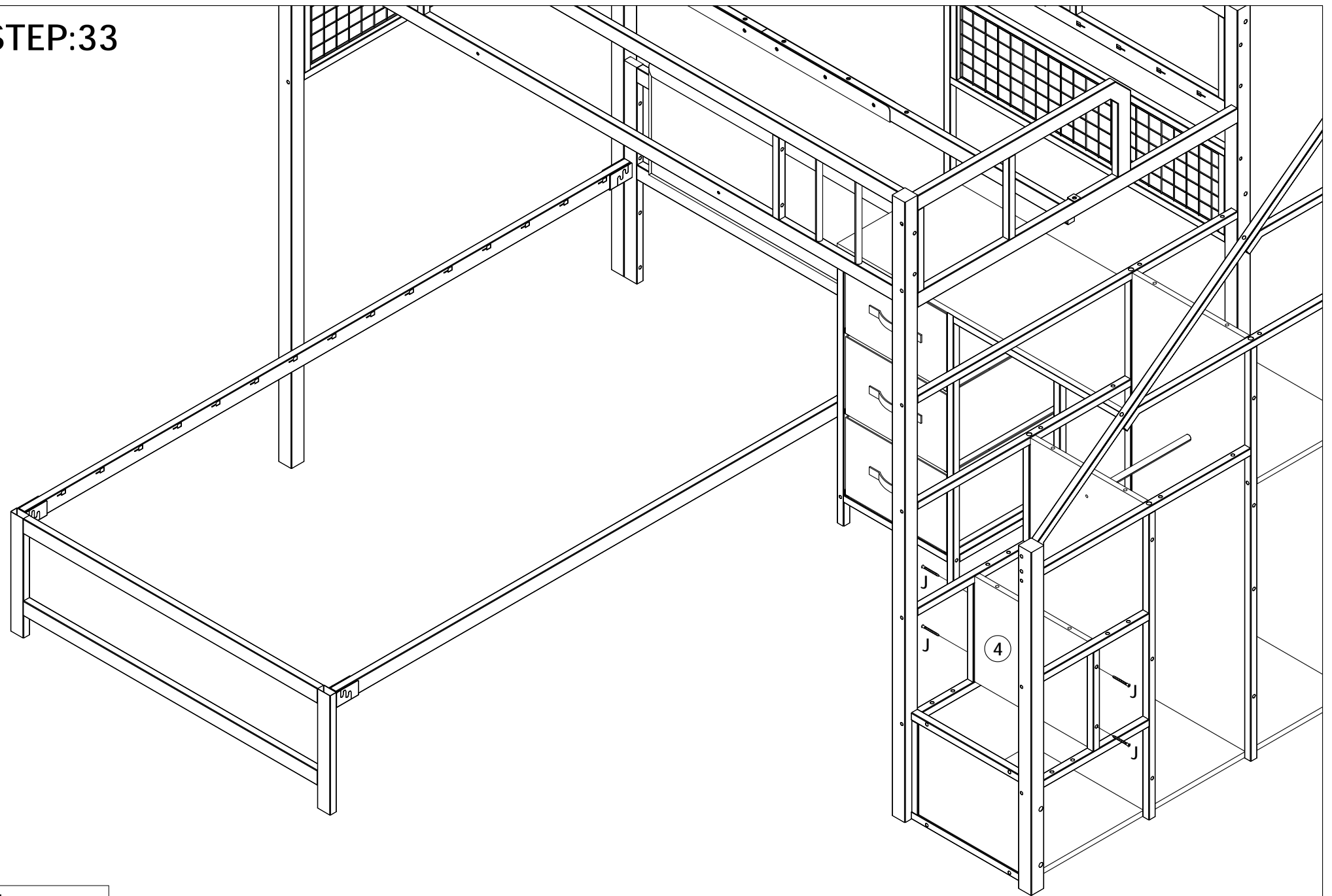
C x 9		M6x55
D x 1		M6x35
G x 4		M6x15

# STEP:32



<p>H x 2</p>  <p>M7x70</p>	<p>J x 7</p>  <p>M7x50</p>	<p>O x 2</p> 
---	---	--

# STEP:33



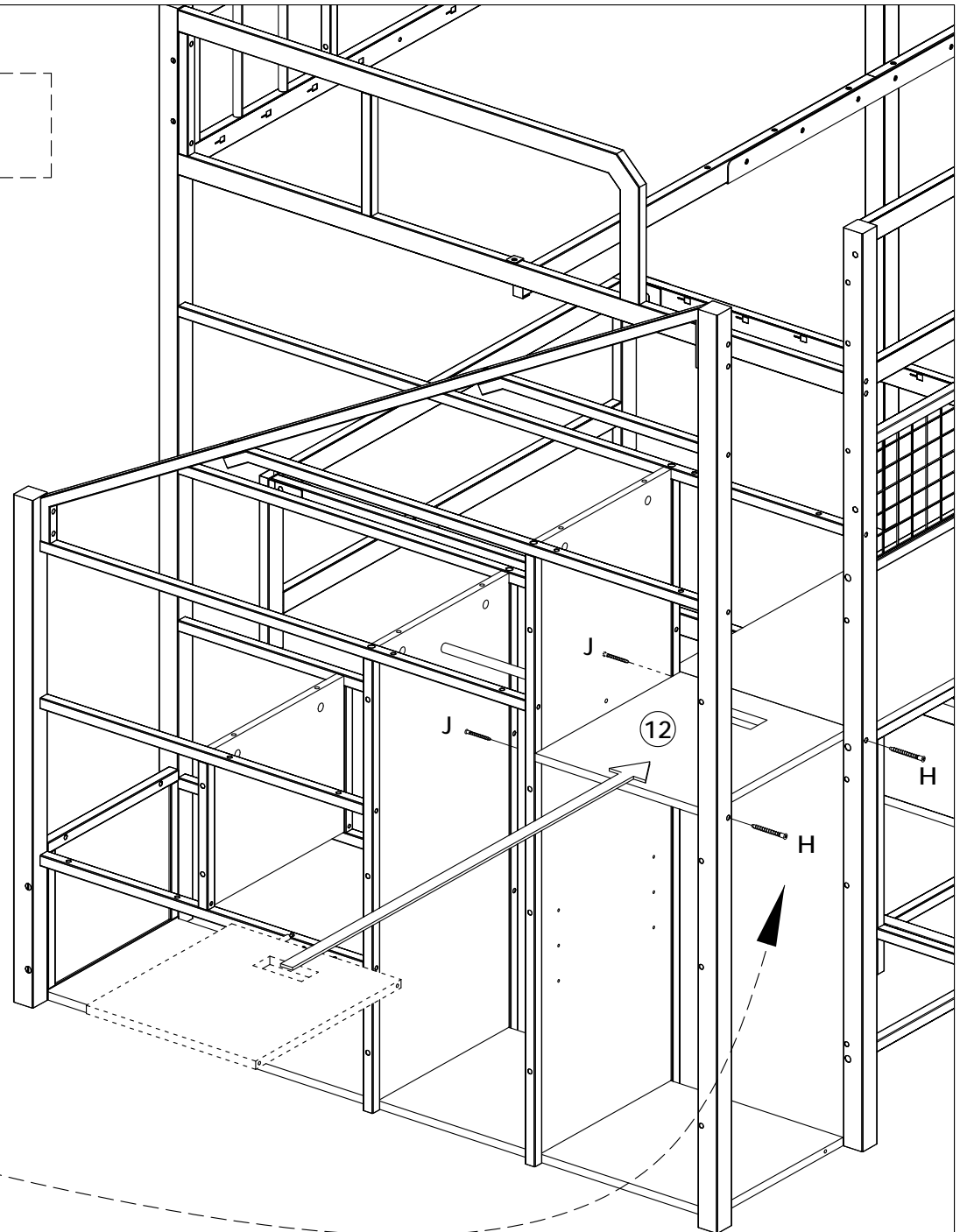
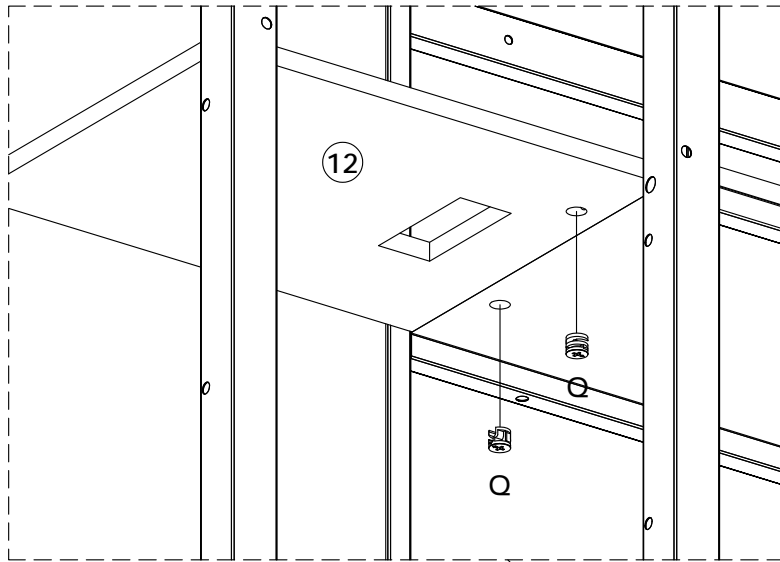
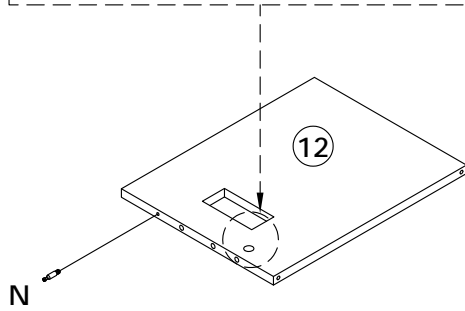
J x 4

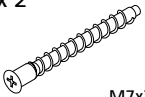





M7x50

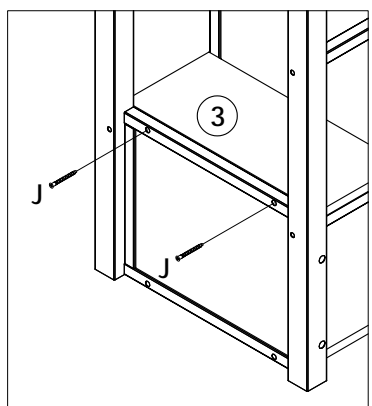
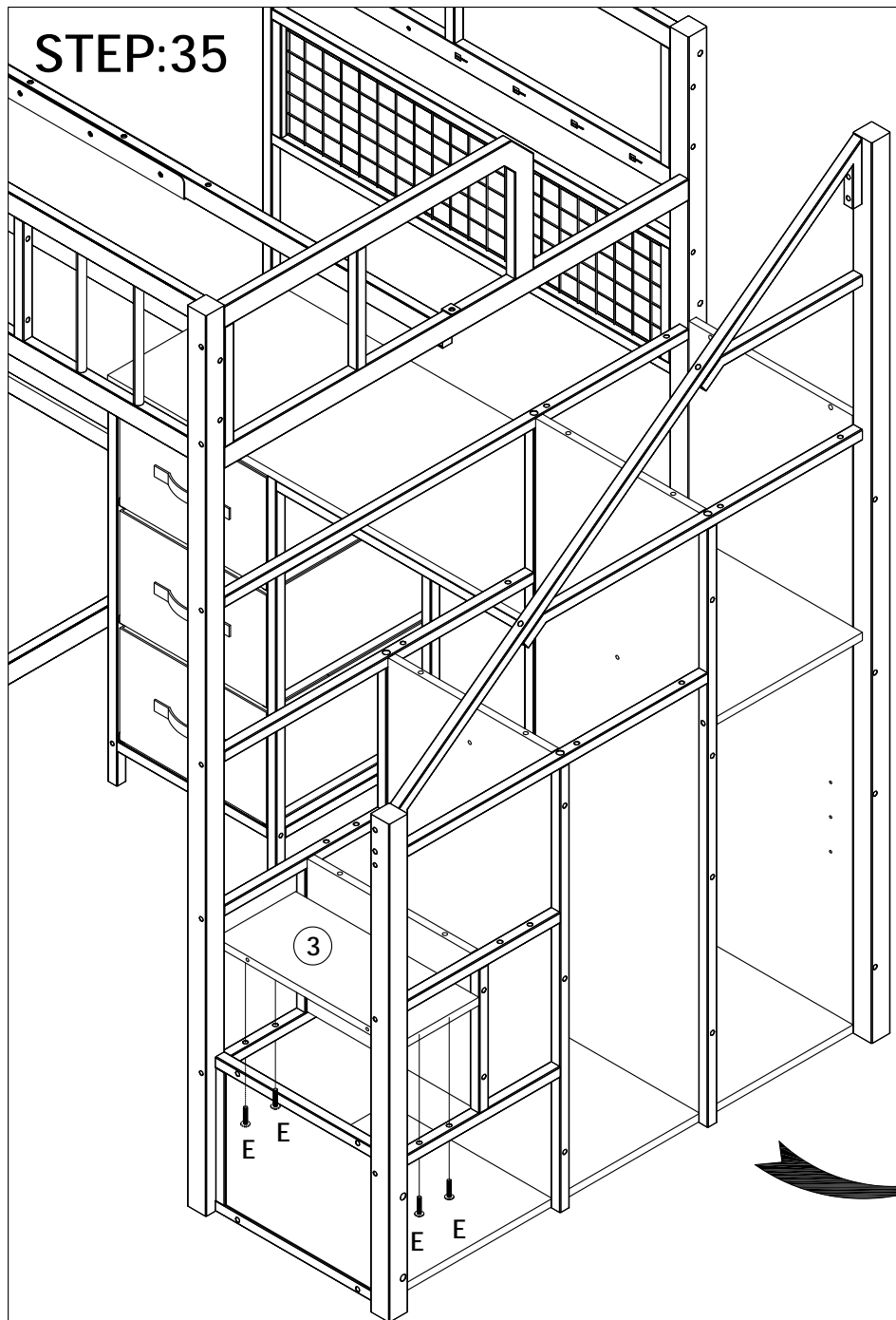
# STEP:34

Note: This hole is downward during installation.



H x 2  M7x70	J x 2  M7x50
N x 1  Φ6x32	Q x 2 

# STEP:35



E x 4



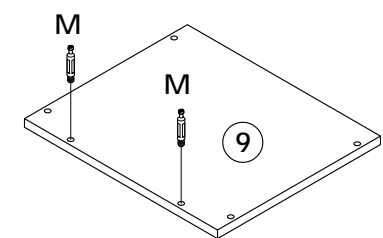
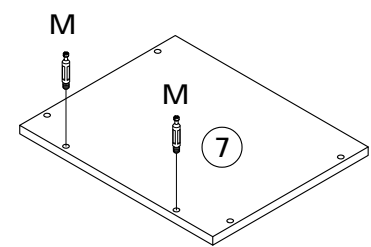
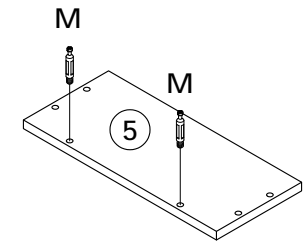
M6x30

J x 2

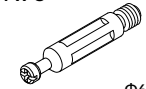


M7x50

# STEP:36

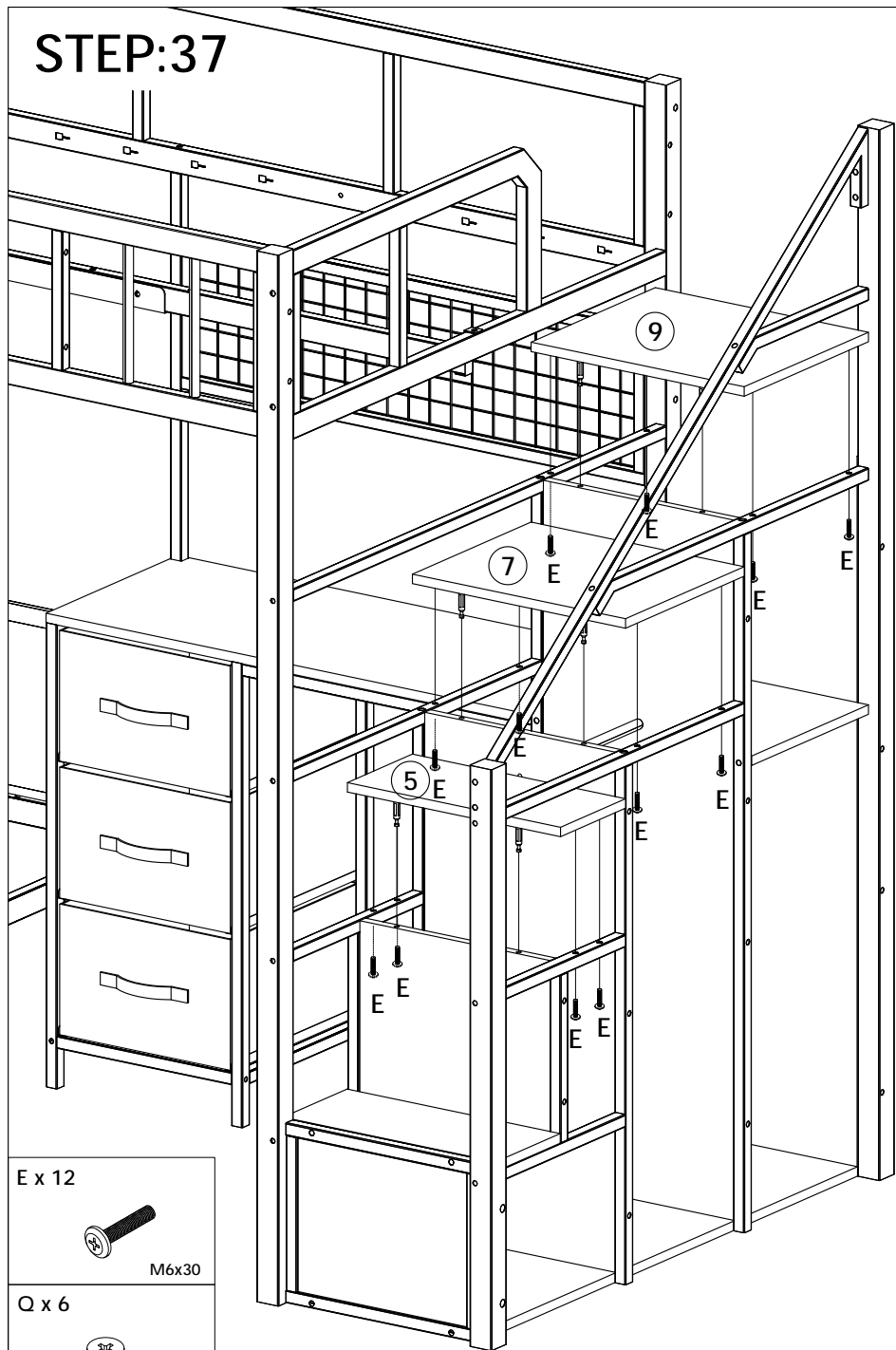


M x 6



Φ6x40

# STEP:37

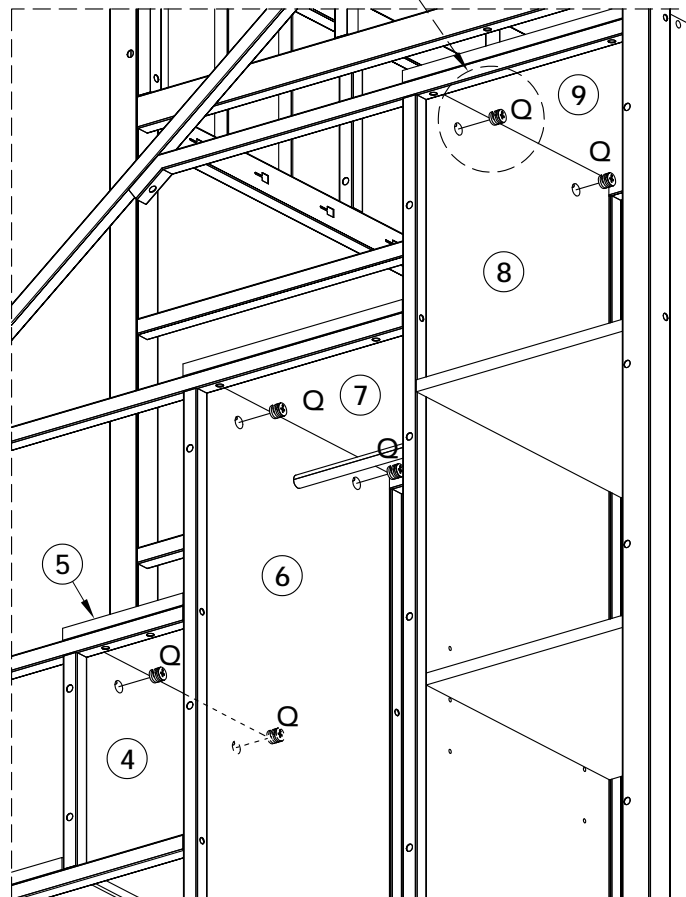
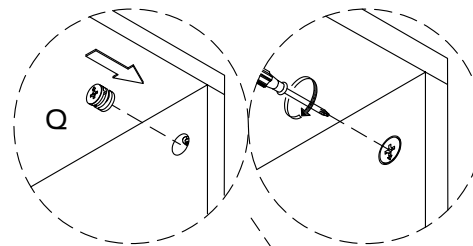


E x 12

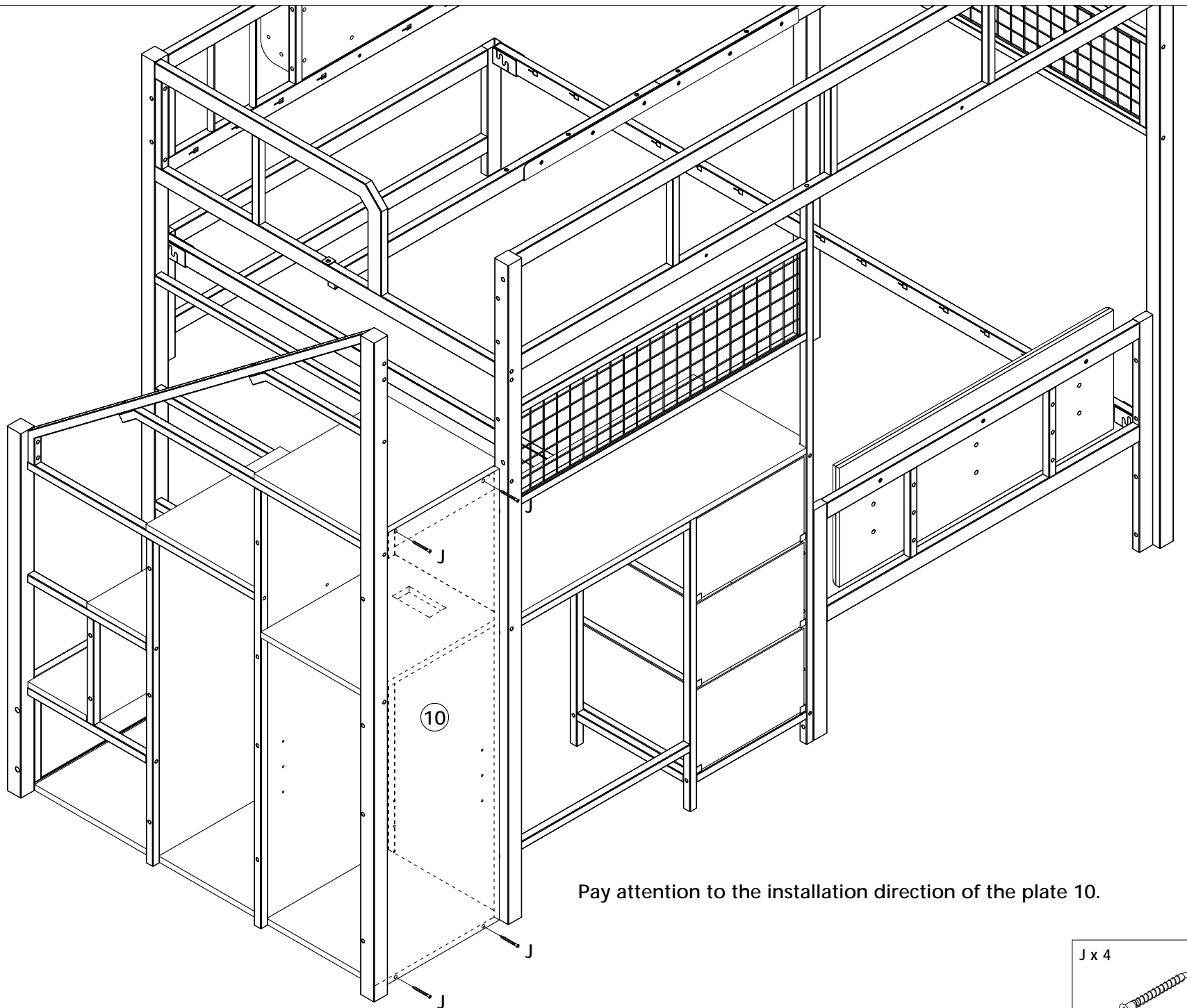


M6x30

Q x 6



# STEP:38



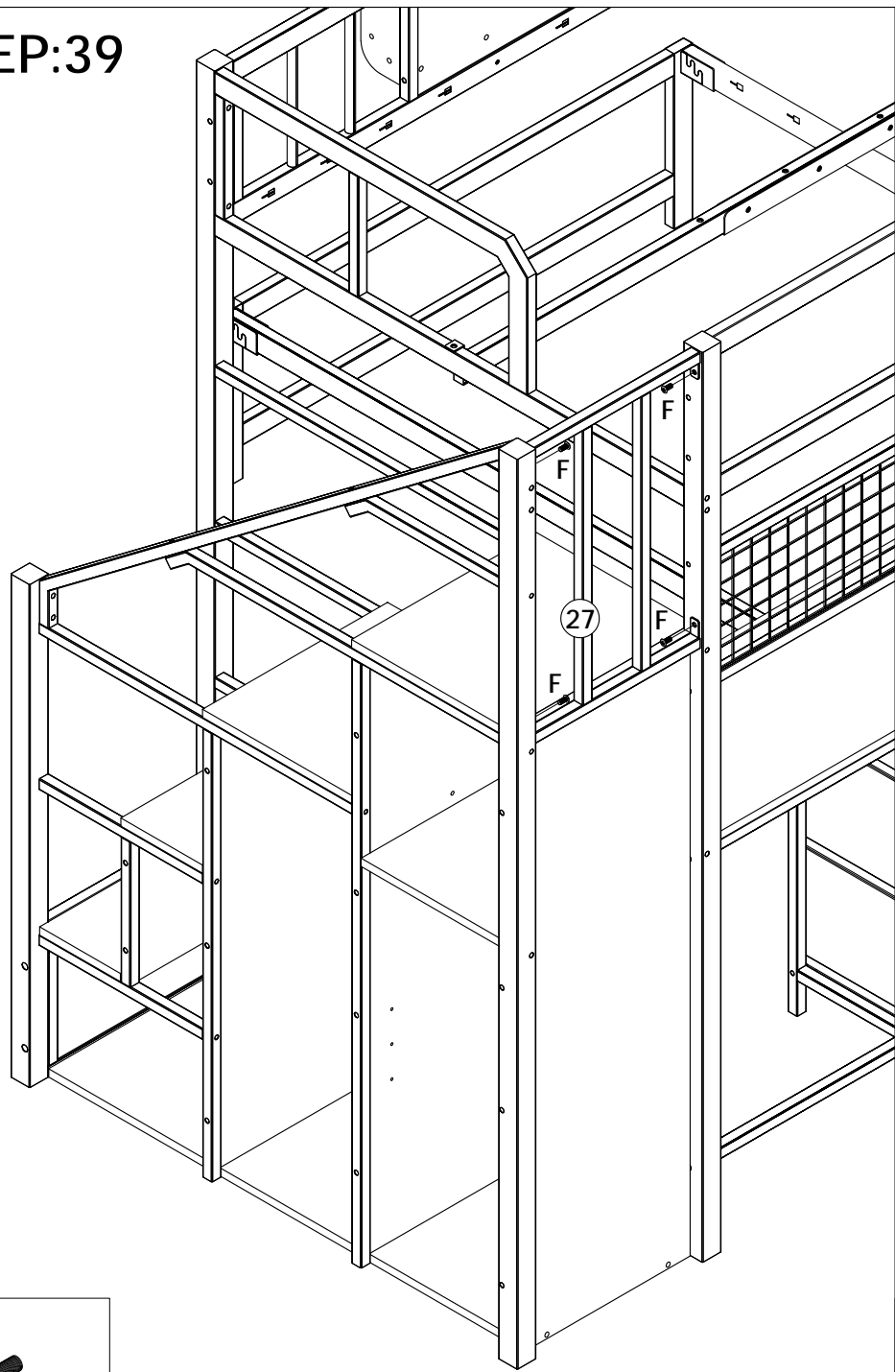
Pay attention to the installation direction of the plate 10.

J x 4




M7x50

# STEP:39

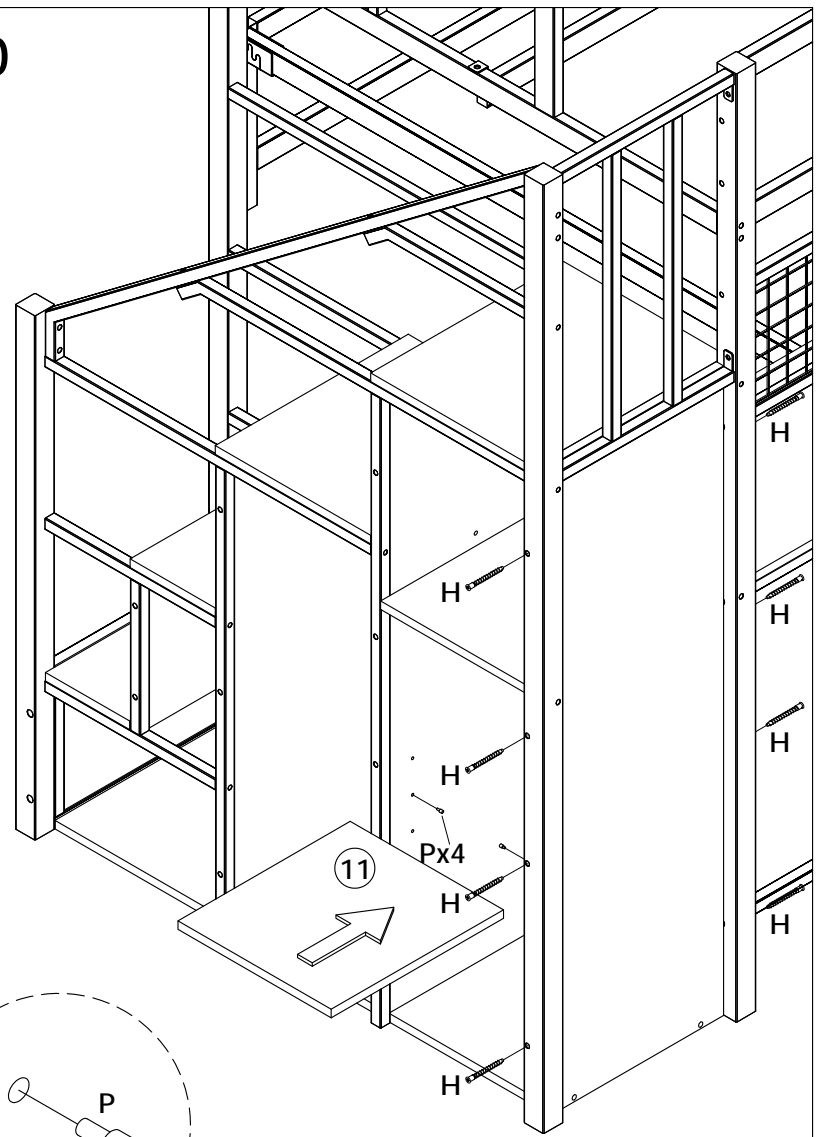


F x 4

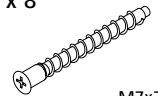


M6x15

# STEP:40




H x 8

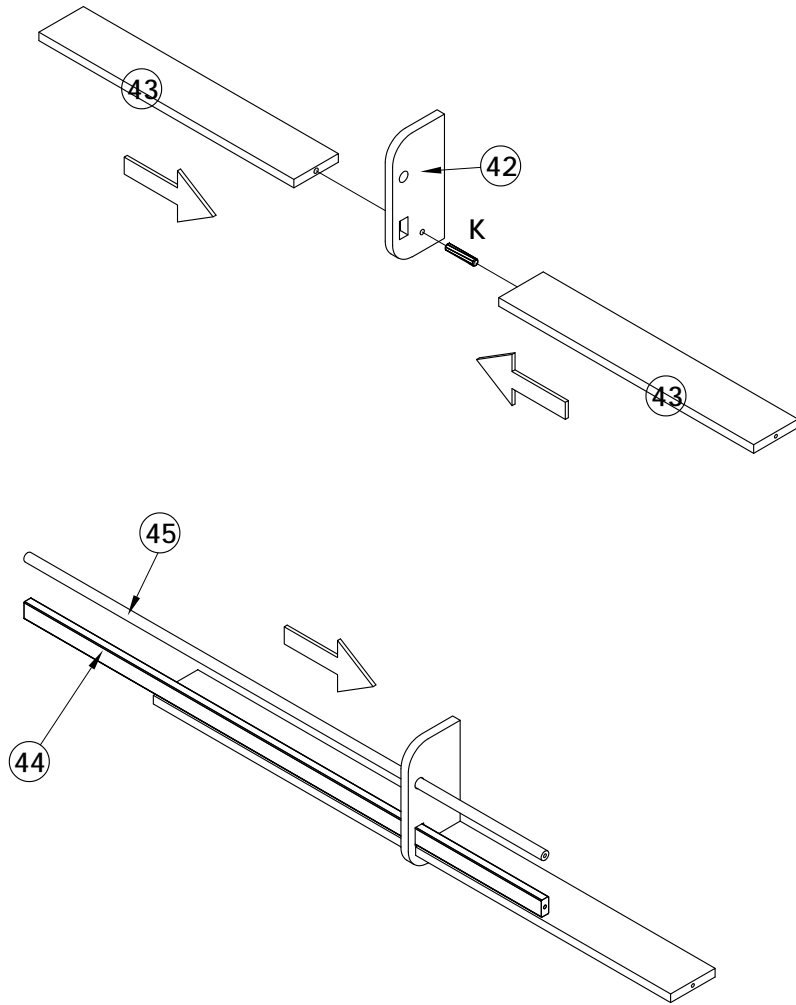


M7x70

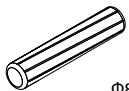
P x 4



# STEP:41

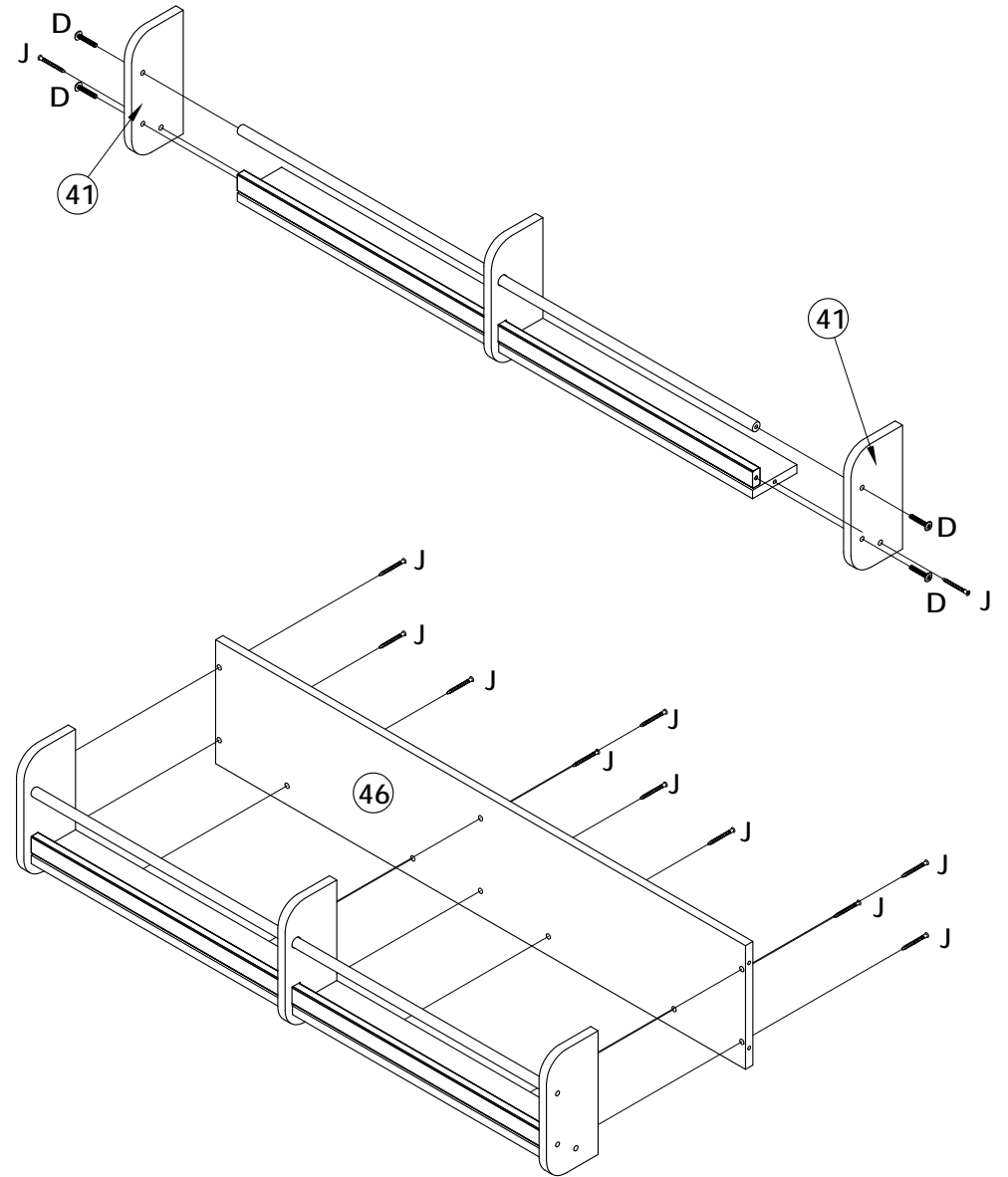


K x 1



Φ8x40

# STEP:42



D x 4



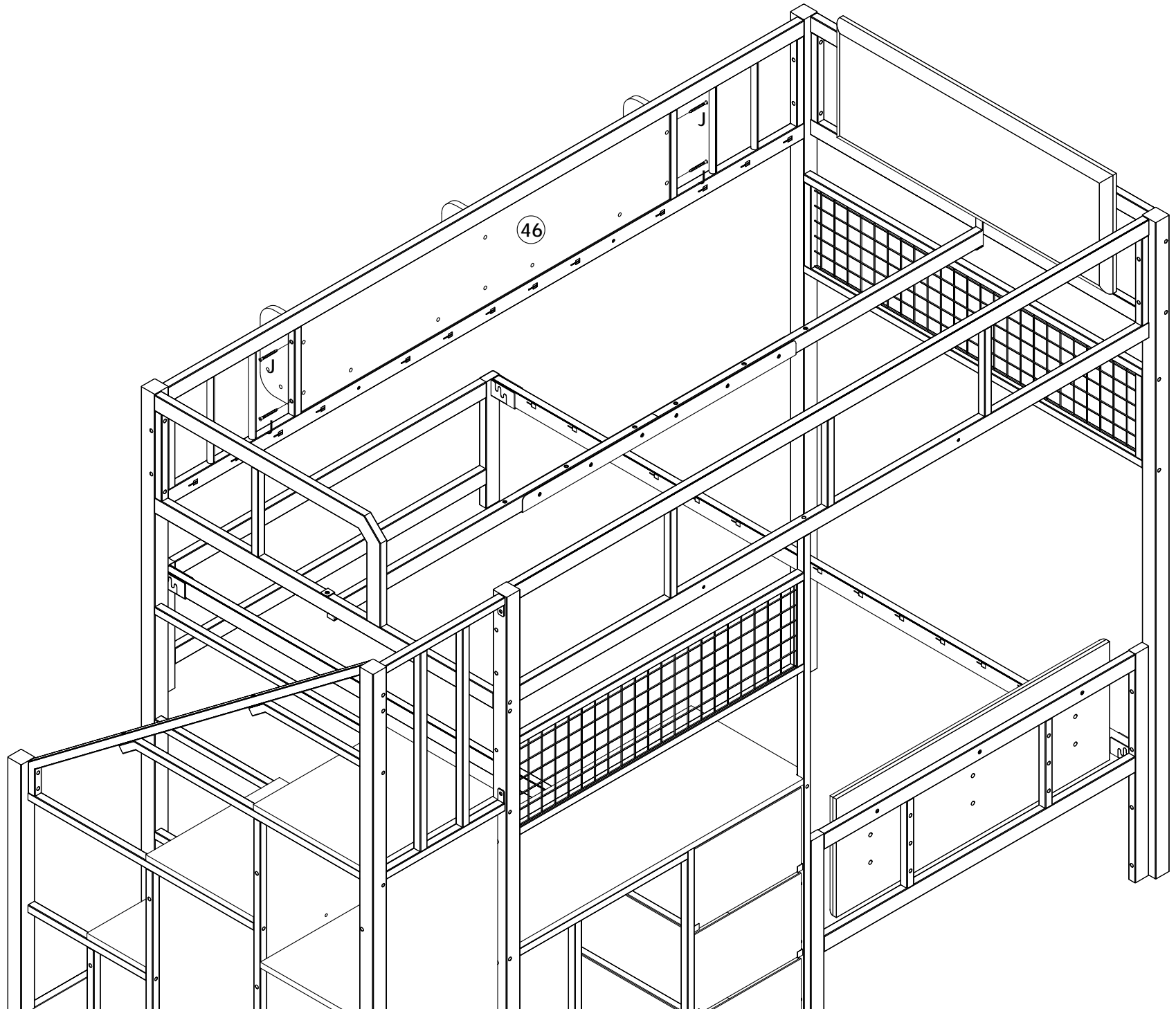
M6x35

J x 12



M7x50

# STEP:43

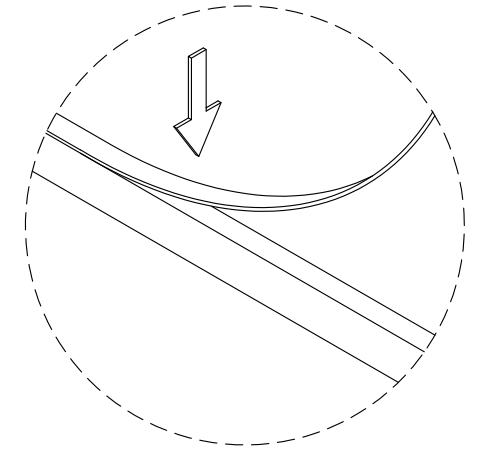
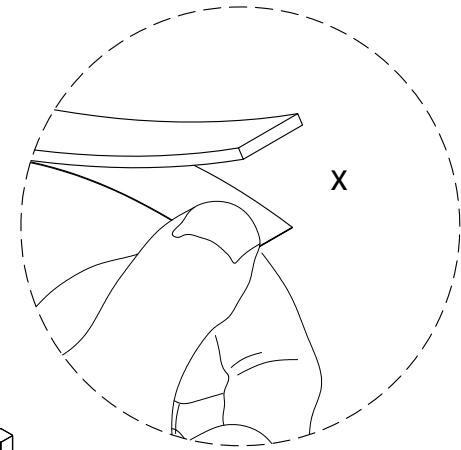
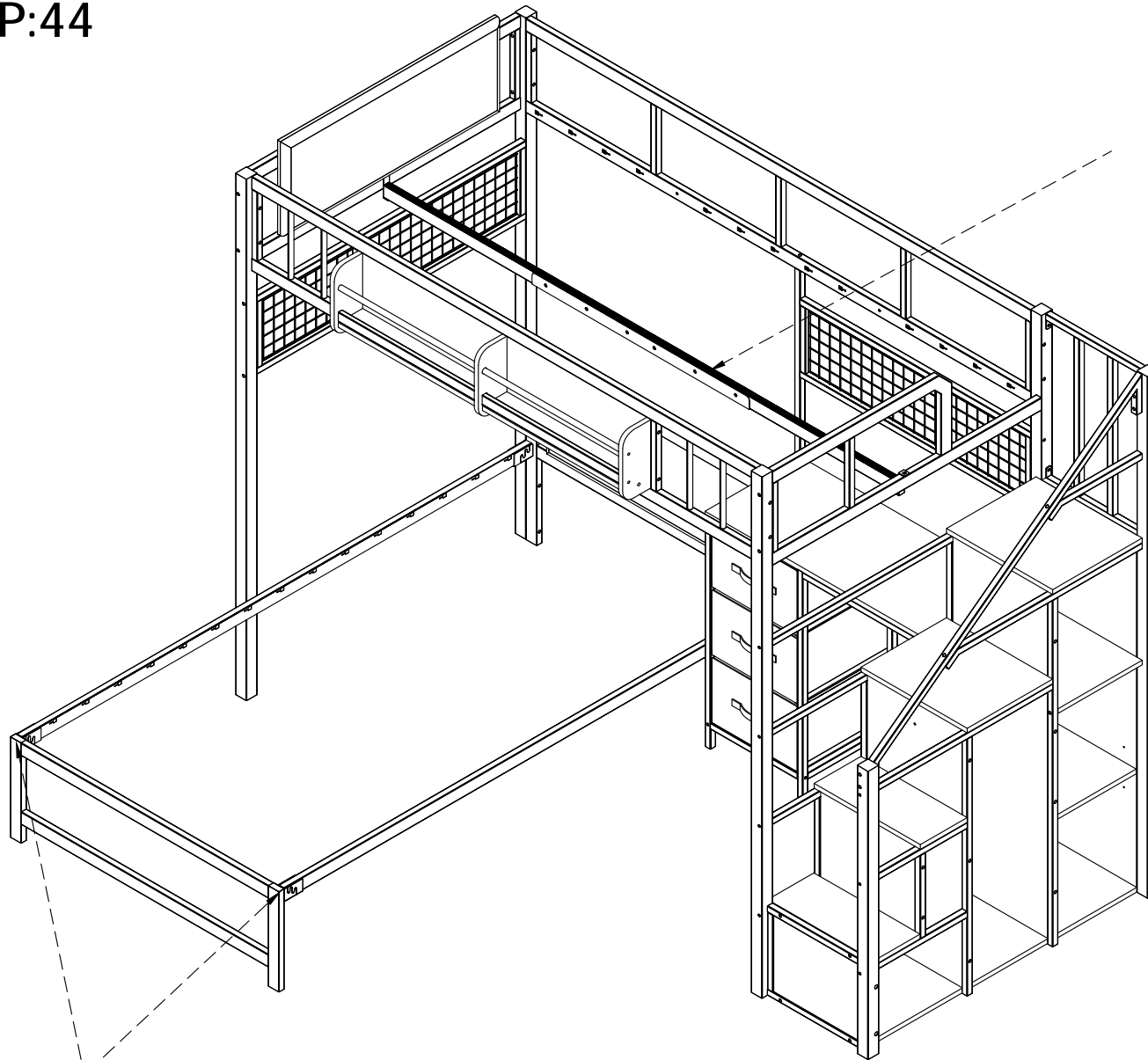


J x 4


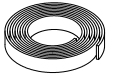


M7x50

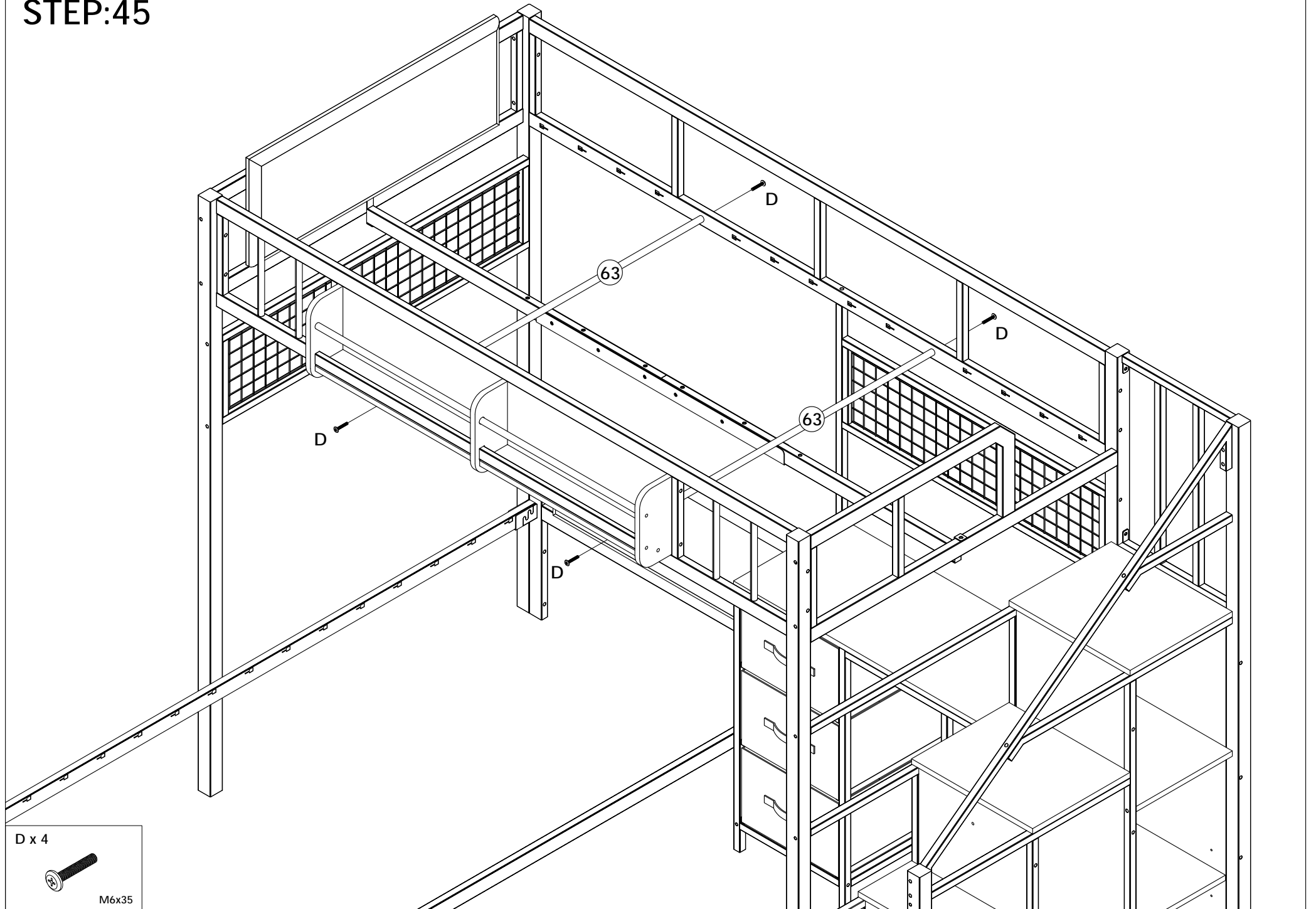
# STEP:44



Please stick hardware I in a sharp place to avoid bumping.

1 x 4 	X x 1 
--	--

# STEP:45

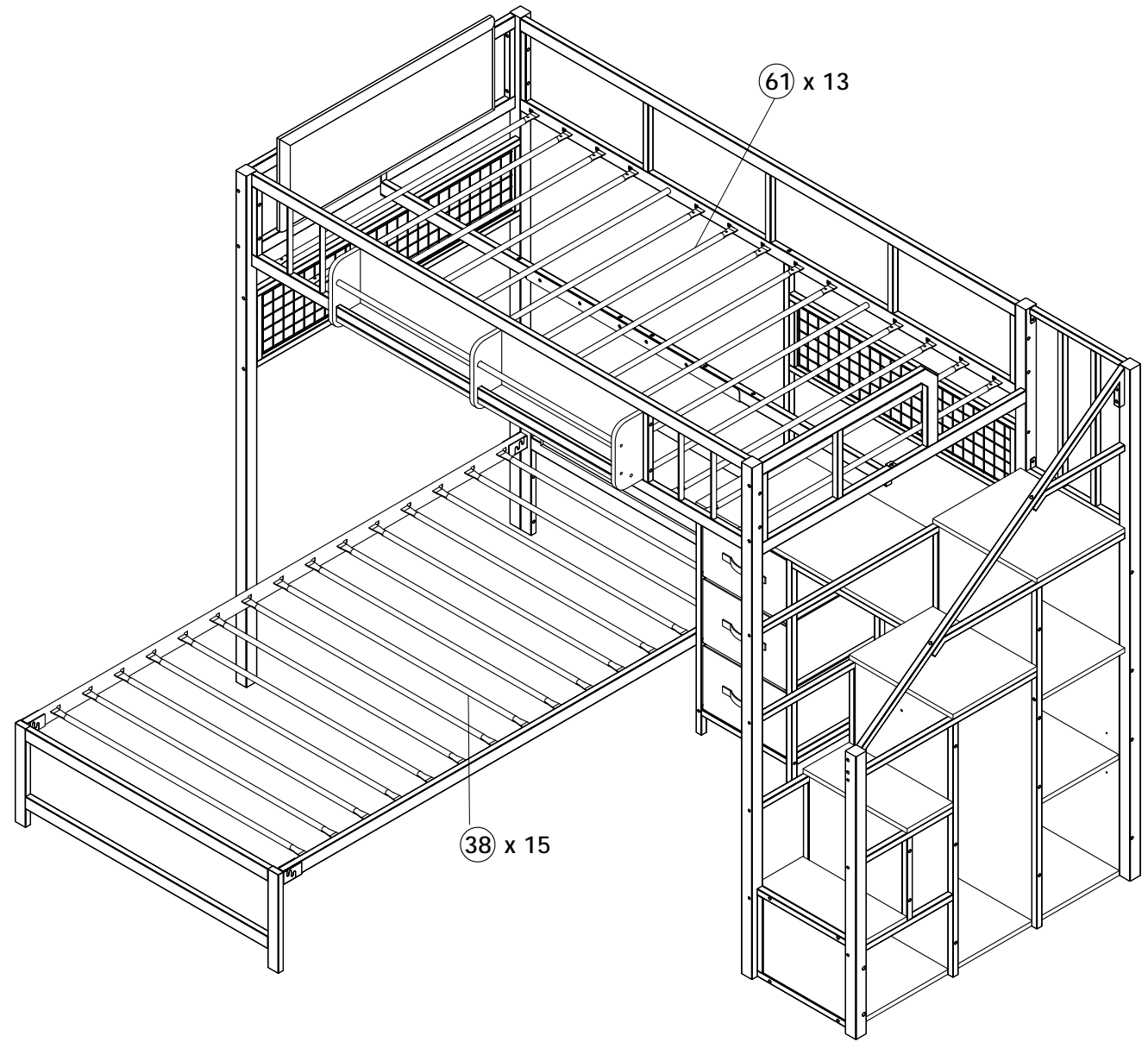
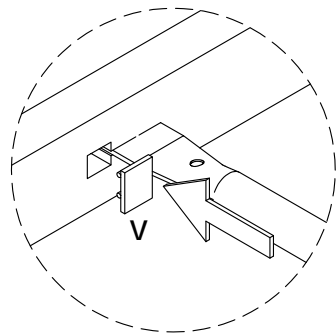
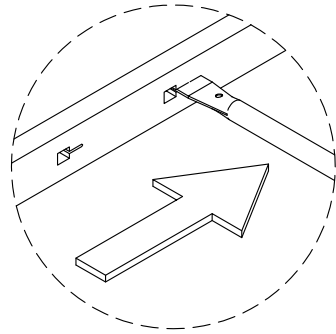
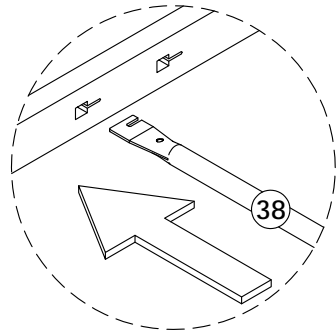


D x 4



M6x35

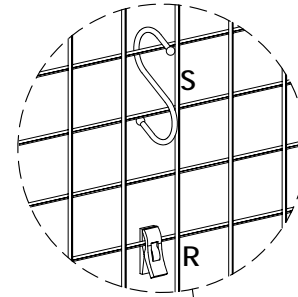
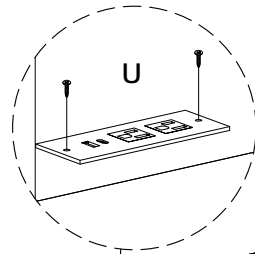
# STEP:46



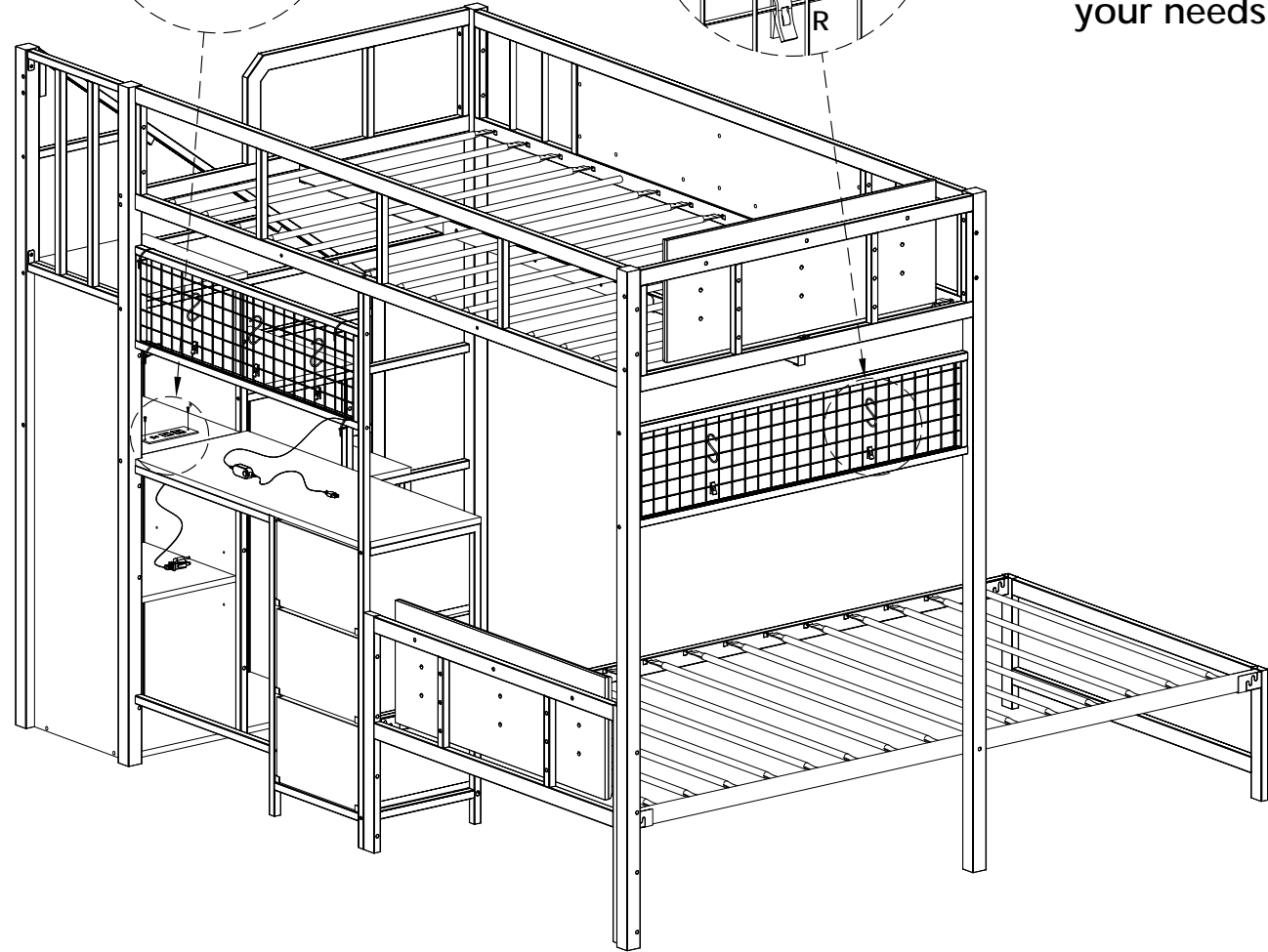
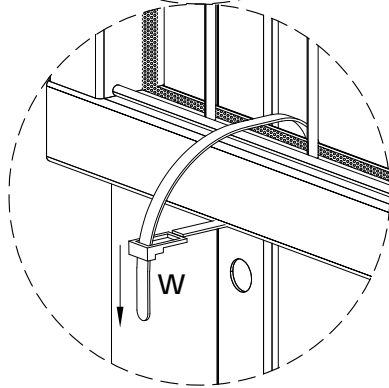
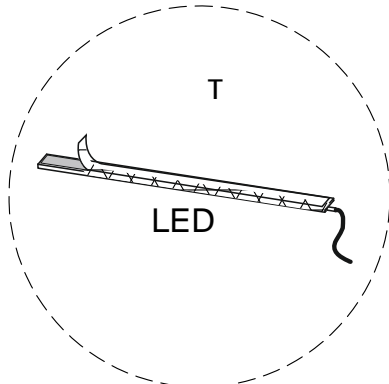
V x 56



# STEP:47



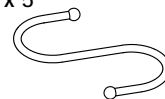
You can choose the location of hardware R and S according to your needs.



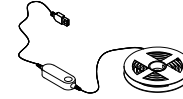
R x 5



S x 5



T x 1



W x 4

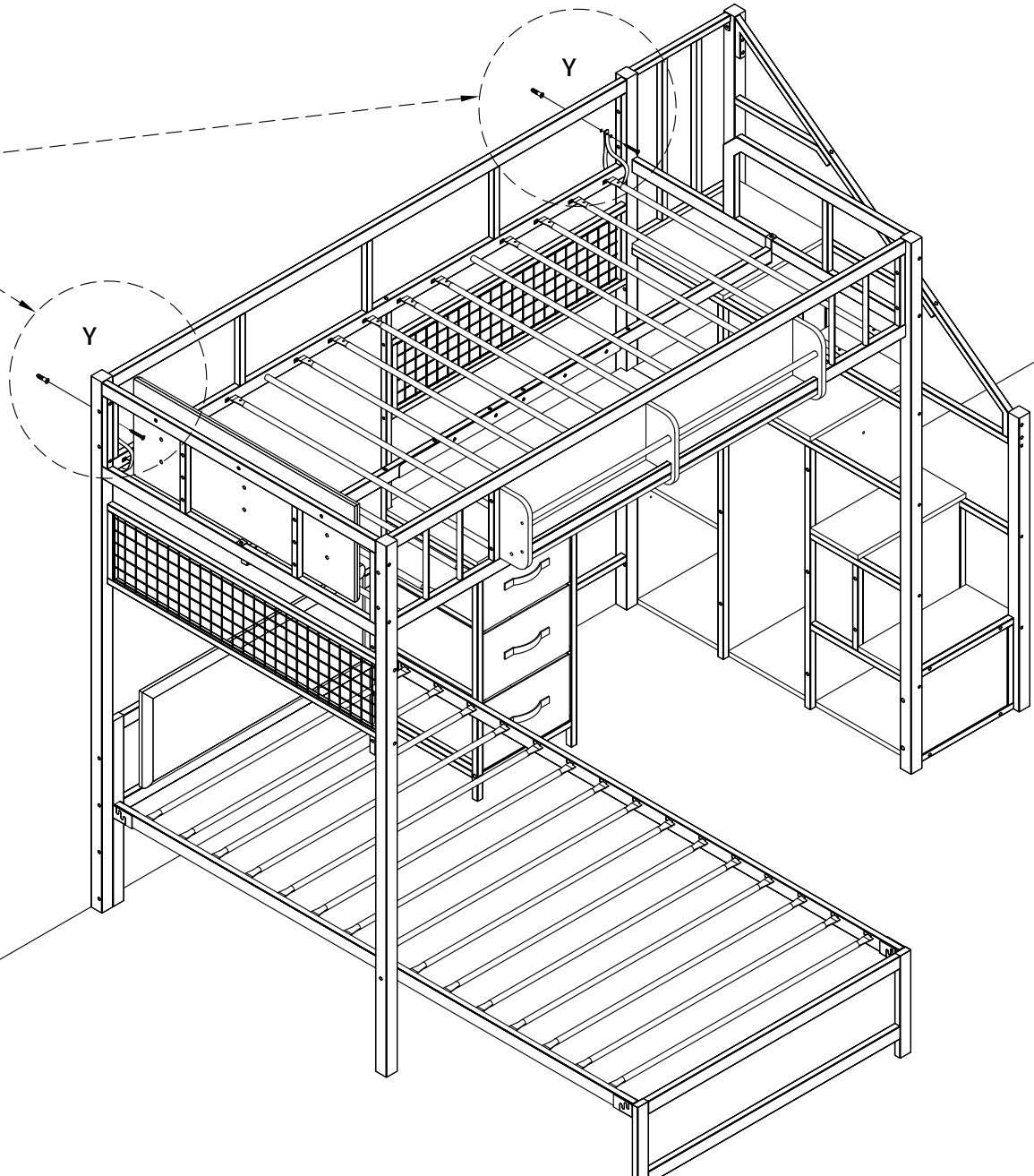
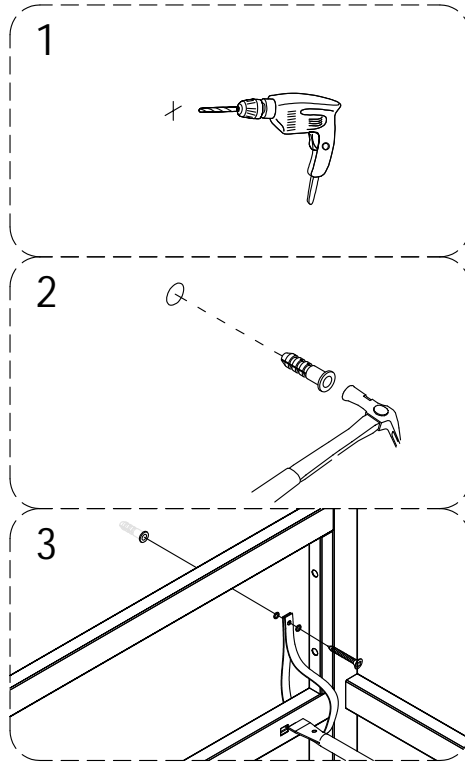


U x 1



# STEP:48

Use a 5/16 inch (8 mm) diameter stone drill to drill into the wall.



Y x 2

