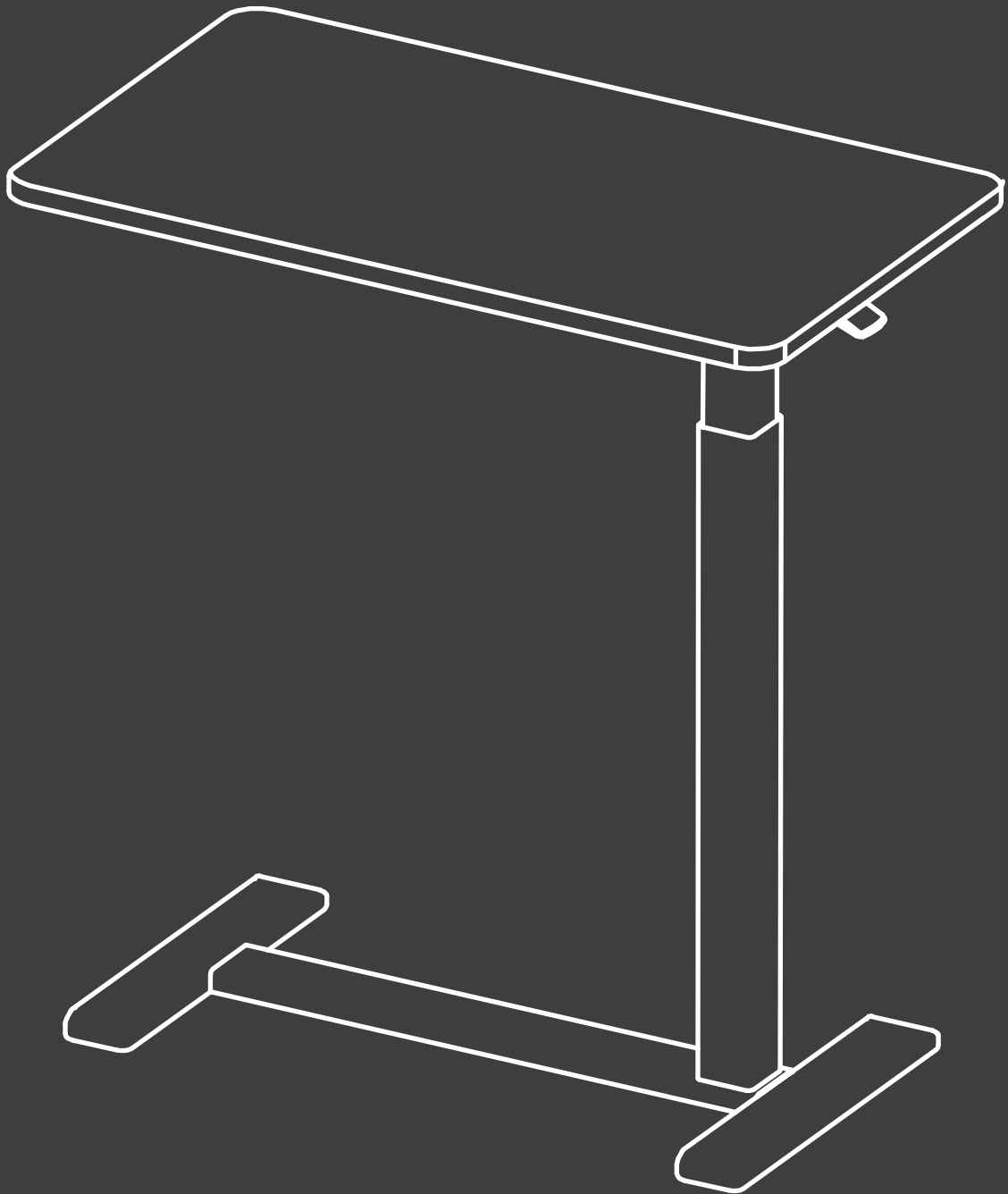


# Overbed Table

## Instruction Manual



# 1 Component List

**A** X1

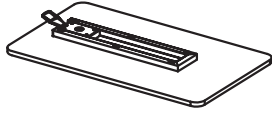
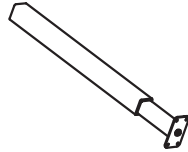


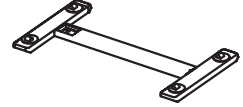
Table Board

**B** X1



Column

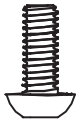
**C** X1



Bottom Bracket

## 2 Supplied Parts and Hardware

**1** X9



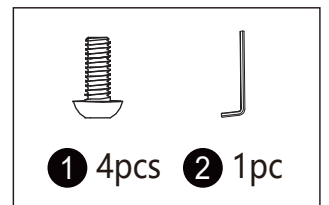
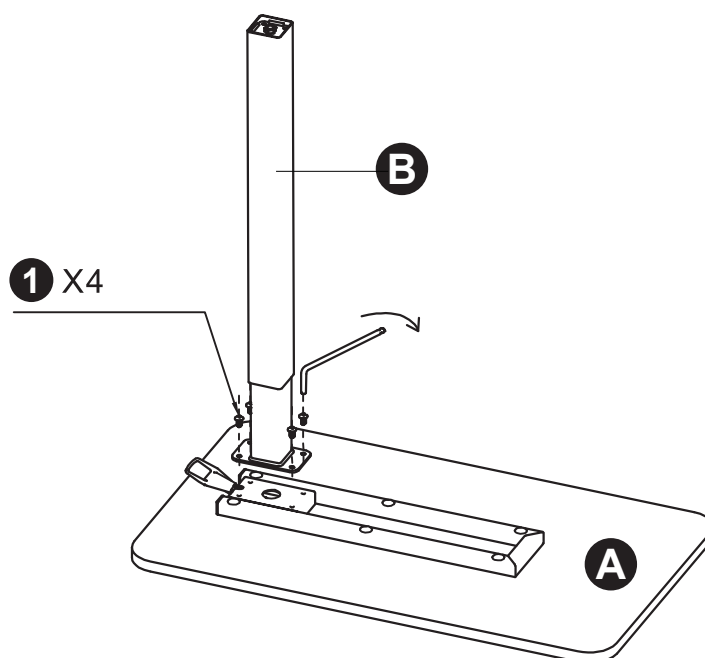
Screw  
M6\*18

**2** X1



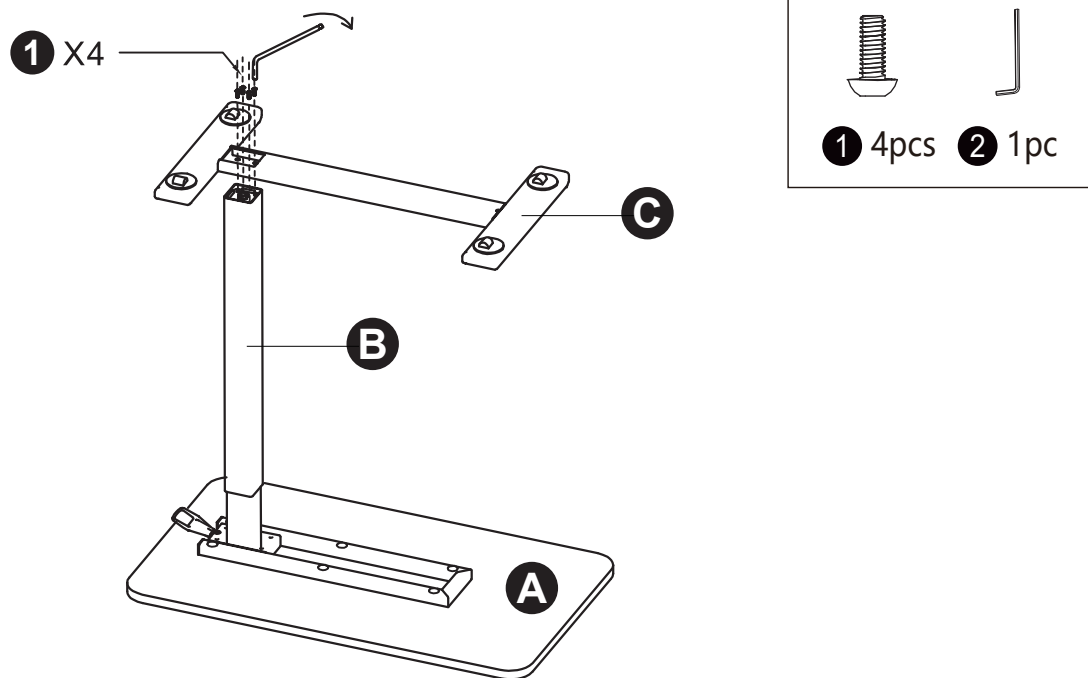
Wrench

## Step 1



Use Wrench ② and Screws ①\*4 to connect Column B and Table Board A.

## Step 2



Use Wrench ② and Screws ①\*4 to connect Column B and Bottom Bracket C.

## Step 3

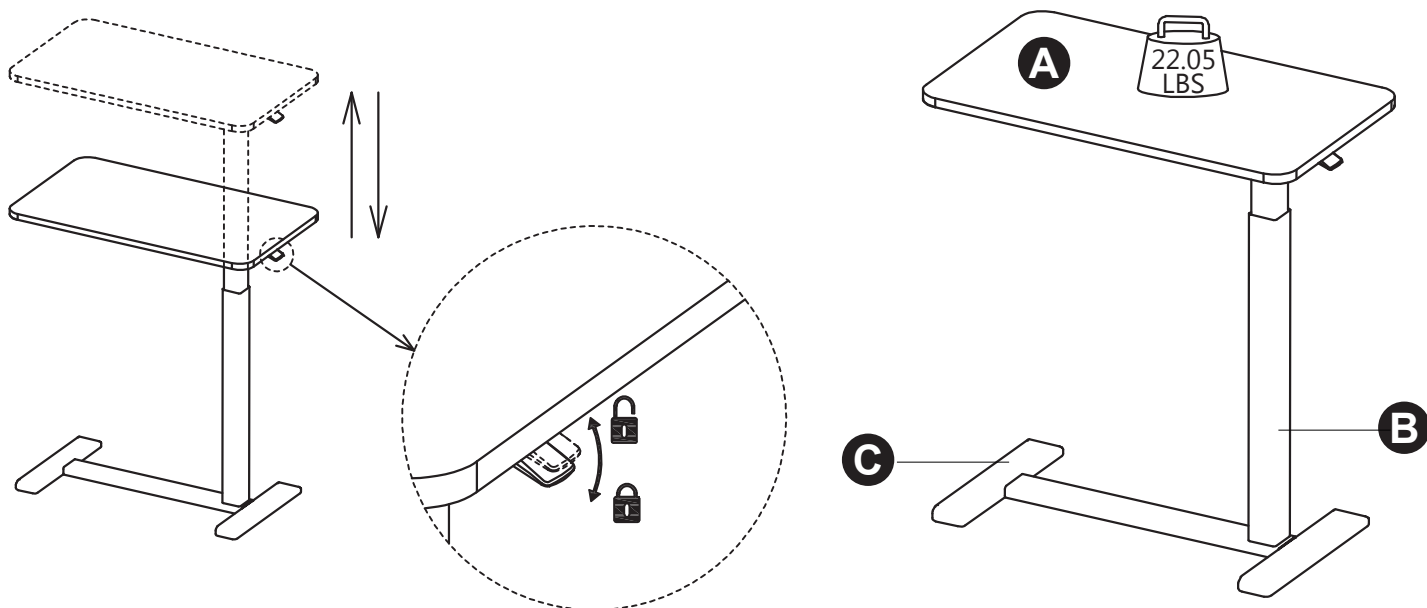
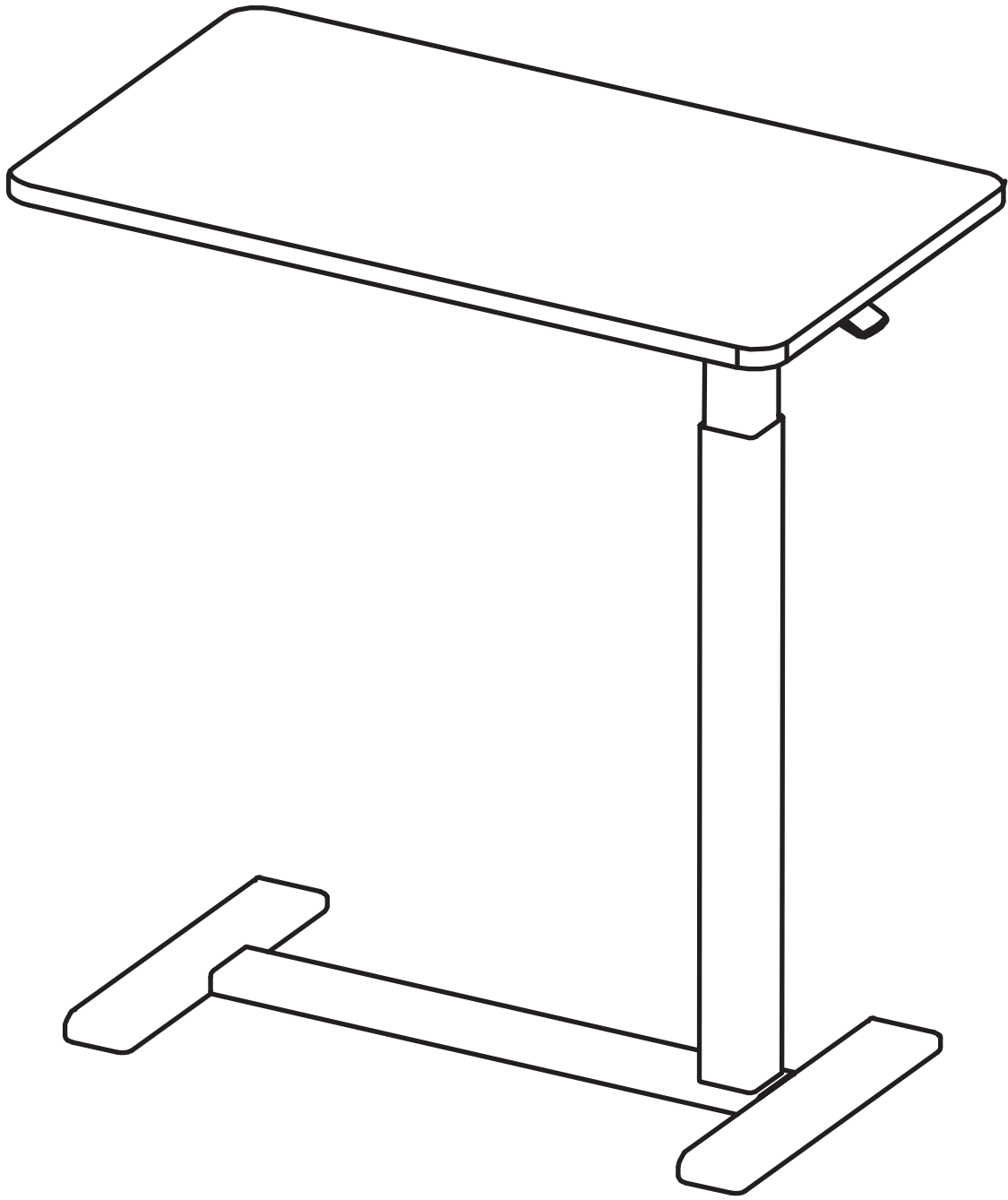


Table height can be adjusted by adjusting the lift handle.

**NOTE** : Maximum load capacity is 22.05 lbs.



Thank you for choosing this product. We strive to provide you with the best quality products and service in the industry. Should you have any issues, please don't hesitate to contact us.