

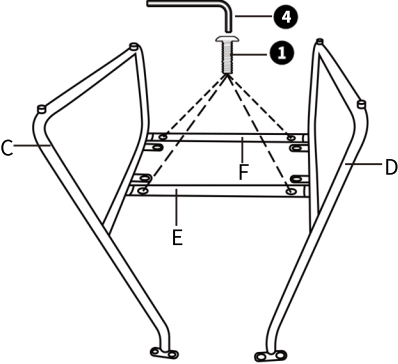



1


1  M6×14mm (4 PCS)


4 

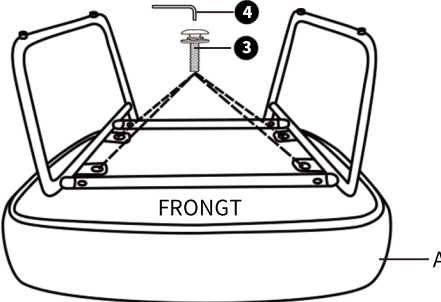



70% 

2


3  M6×22mm (4 PCS)


4 

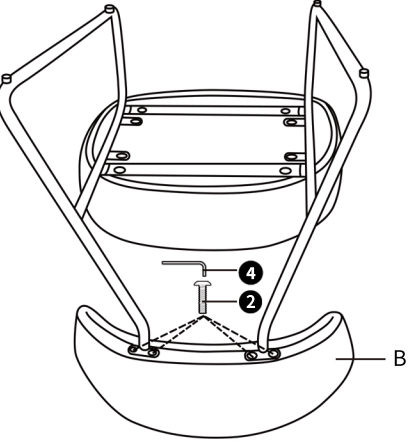



70% 

3

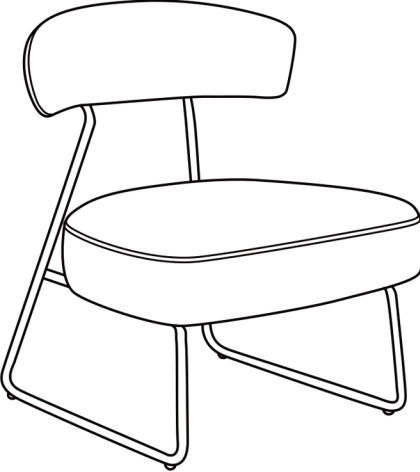
2  M6×25mm (4 PCS)



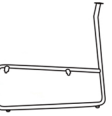







4 



100% 

4



A: 1 PC	
B: 1 PC	
C: 1 PC	LEFT 
D: 1 PC	RIGHT 
E: 1 PC	
F: 1 PC	
1: 4 PCS	 M6×14mm
2: 4 PCS	 M6×25mm
3: 4 PCS	 M6×22mm
4: 1 PC	

DO NOT FULLY TIGHTEN ALL SCREWS UNTIL ASSEMBLY IS COMPLETED.