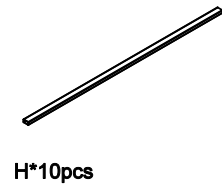
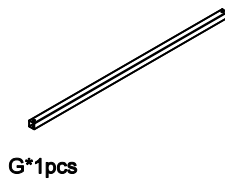
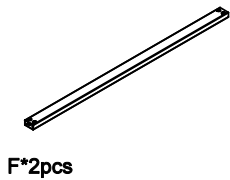
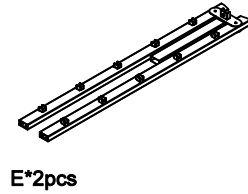
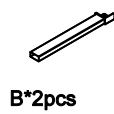
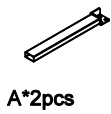


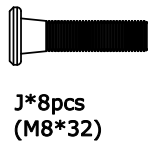
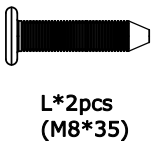
# Platform Bed Set-up Instruction

Size: Twin / Twin XL

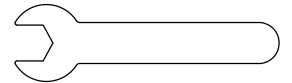
## Bed Frame Parts List



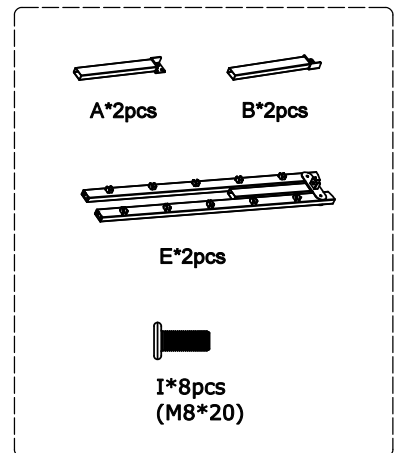
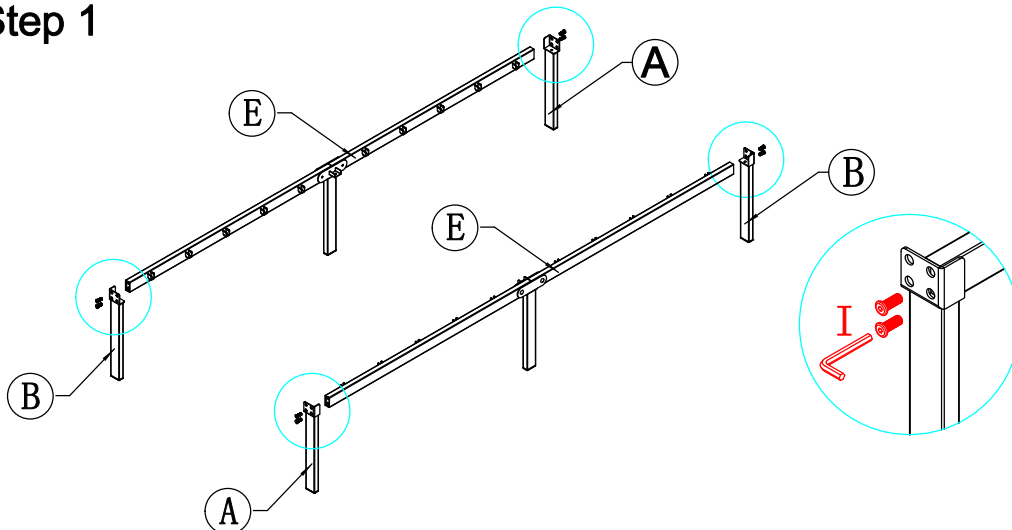
## Accessories List



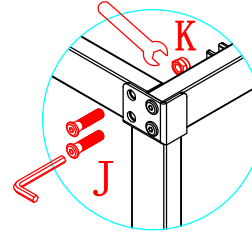
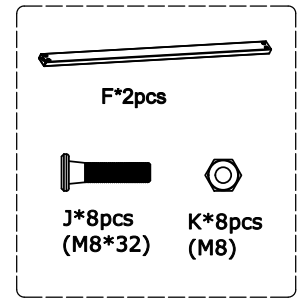
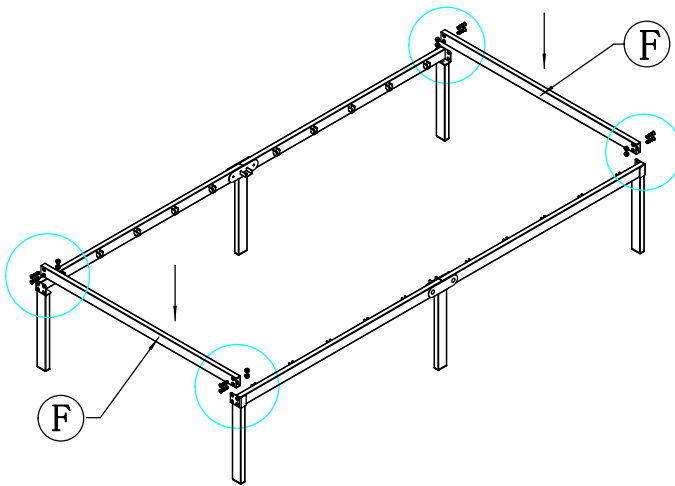
The nuts come with anti-loosening rubber rings, so you need use the hex wrench and push harder to tighten the screw and nut.



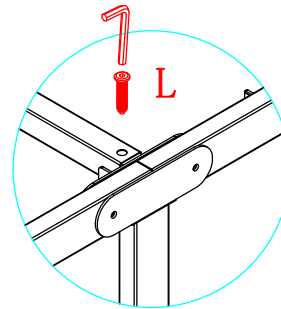
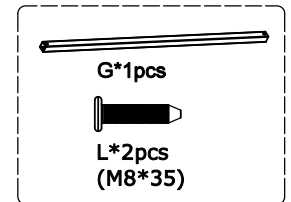
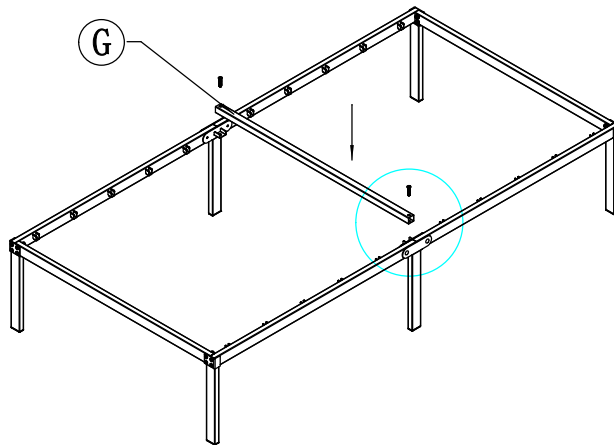
## Step 1



## Step 2

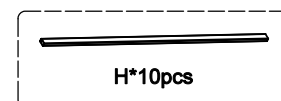
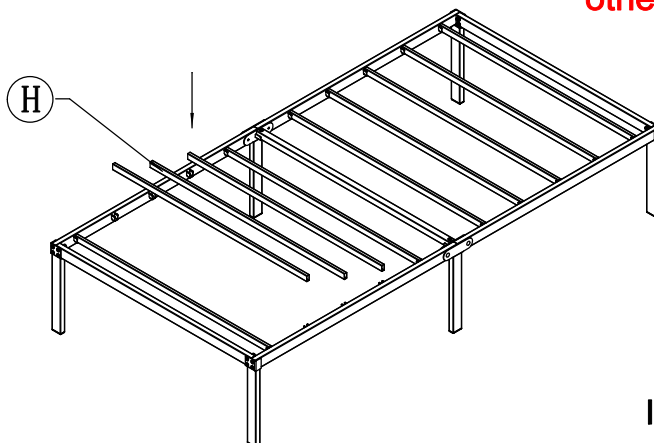


## Step 3



## Step 4

**Make sure install the part G before put part H on, otherwise the part G will have too short issue.**



**Install the last step  
please make sure all the screws are tightened**