

## CARE AND MAINTENANCE

Wipe clean with a soft, dry cloth. The seat board can be cleaned with a mild cleaner. Test the cleaning method on a hidden area before using them over the entire area .












## NOTICE

\* Please make sure that you have all parts indicated before you begin assembly of this item

\* This item should be assembled on a soft surface to prevent scratching the finish during assembly

\* This item may require periodic tightening

## Part List and Hardware List

PIECE	DESCRIPTION	PICTURE	QUANTITY
(1)	Headrest		1X
(2)	Back Cushion		1X
(3)	Seat Cushion		1X(R,L)
(4)	Control Mechanism		1X
(5)	Cylinder Column		1X
(6)	Star Base		1X
(7)	Caster		5X
(8)	Short Screw		7X
(9)	Medium Screw		2X
(10)	Washer		7X
(11)	Allen Wrench		2X

# SAFAVIEH FURNITURE

Product Dimensions: 26.8"W\*24.2"D\*45.1~48"H



**Weight Capacity : 275 LBS**  
**Warning : Do not stand on chair**

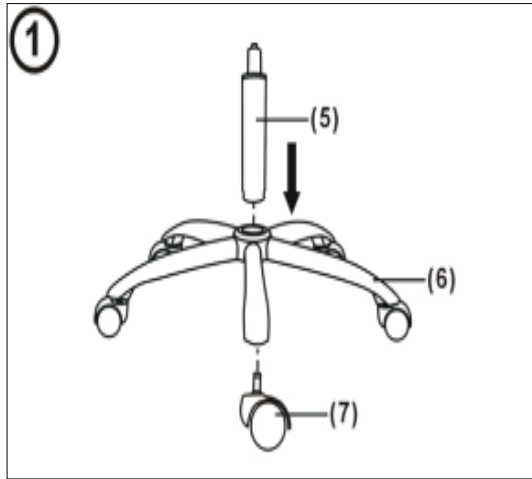
## PREPARATION

Before beginning assembly of product, make sure all parts are present. Compare parts with package contents list and hardware contents list.

If any part is missing or damaged, do not attempt to assemble the product.

Estimated Assembly Time: 10 minutes.

Tools Required for Assembly (included): Allen Wrench



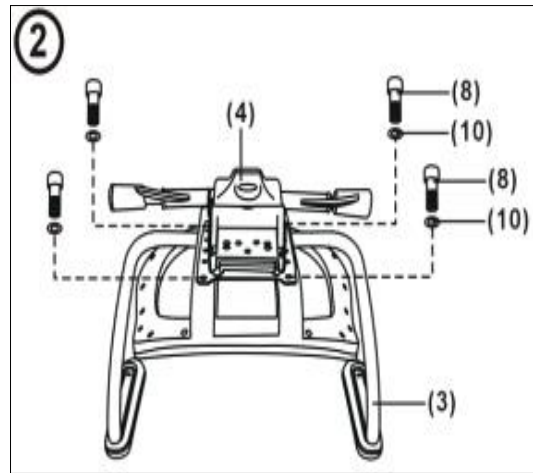
### Step 1

Insert five Casters (7) into Star Base (6), push hard until you feel or hear the Caster(7) snap into place. Insert the LARGE end of Cylinder Column (5) into the Star Base (6) and carefully press downward with moderate force until it is fully seated.



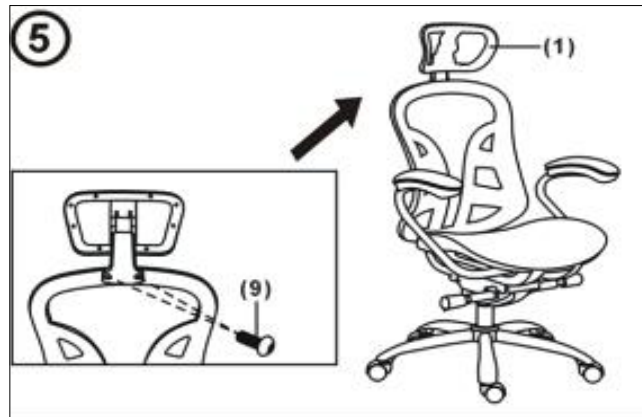
### Step 4

Now insert the small end of Cylinder Column (5) into Control Mechanism (4) and carefully press downward with moderate force until it is fully seated.



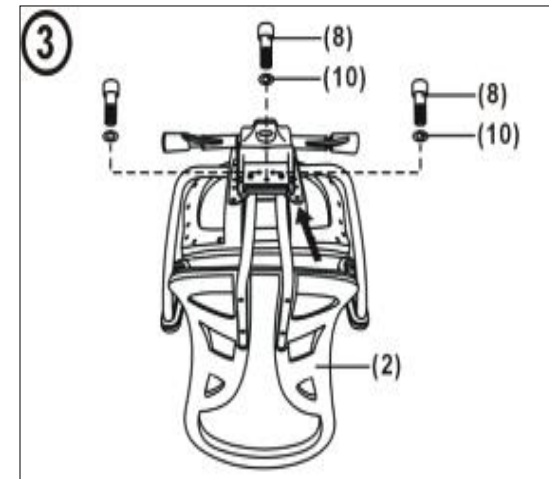
### Step 2

Attach Control Mechanism (4) to Seat Assembly (3) with the arrow towards the front of the chair, using four Washers (10) and four Short Screws(8).



### Step 5

Connect the Headrest(1) to Back(2) by using two Medium Screws(9).



### Step 3

Assemble the Seat(3) to the Back(2) together,using three Short Screws(8) and three Washers(10).

**FULLY TIGHTEN ALL SCREWS USING ALLEN WRENCH**



### Step 6

The chair is ok now.

**ATTENTION: MAKE SURE ALL SCREWS ARE FULLY TIGHTENED BEFORE USING CHAIR**