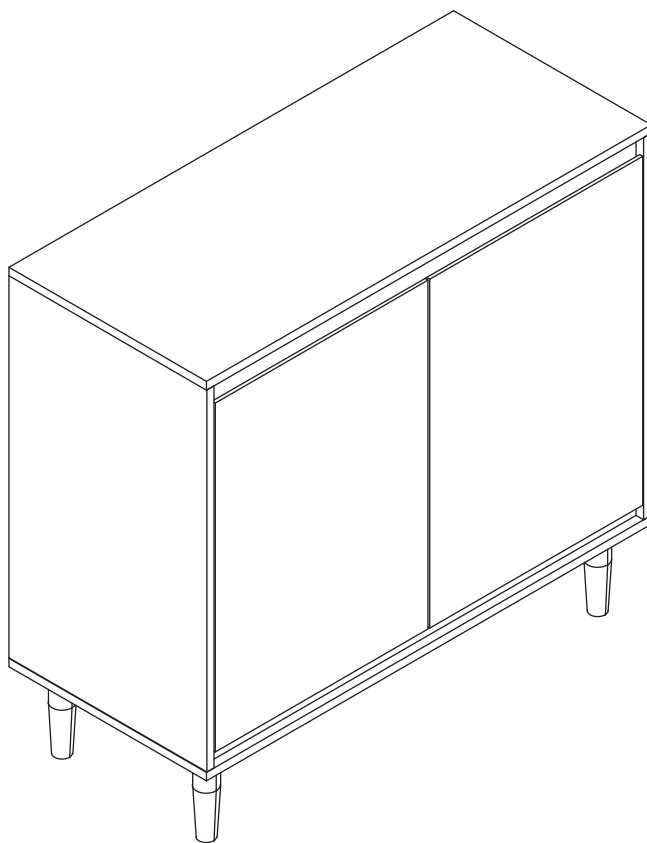


Instruction Manual
ILIANA 2 DOOR SIDEBORD



CONTENTS

Safety and care advice	1
Components – panels	2
Components – fittings	3
Assembly instructions	4
Door alignment	13
Wall fixings	14
Copyright	15



SAFETY AND CARE ADVICE



PLEASE READ THESE INSTRUCTIONS CAREFULLY AND KEEP FOR FUTURE REFERENCE

Warning: Please lift with care.

- Check you have all the components and tools listed on pages 2 and 3.
- Remove all fittings from the plastic bags and separate them into their groups.
- Keep children and animals away from the work area, small parts could choke if swallowed.
- Make sure you have enough space to layout the parts before starting.
- Do not stand or put weight on the product, this could cause damage.
- Assemble the item as close to its final position (in the same room) as possible.
- Assemble on a soft level surface to avoid damaging the unit or your floor (use opened out unit carton).



·We do not recommend the use of power drill/drivers **for inserting screws**, as this could damage the unit. Only use hand screwdrivers.

·**Safety note:** If there is any chance of this unit being pulled over by children etc. it is recommended that the unit is secured to a wall using suitable fixings.

·Dispose of all packaging carefully and responsibly.

CARE AND MAINTENANCE

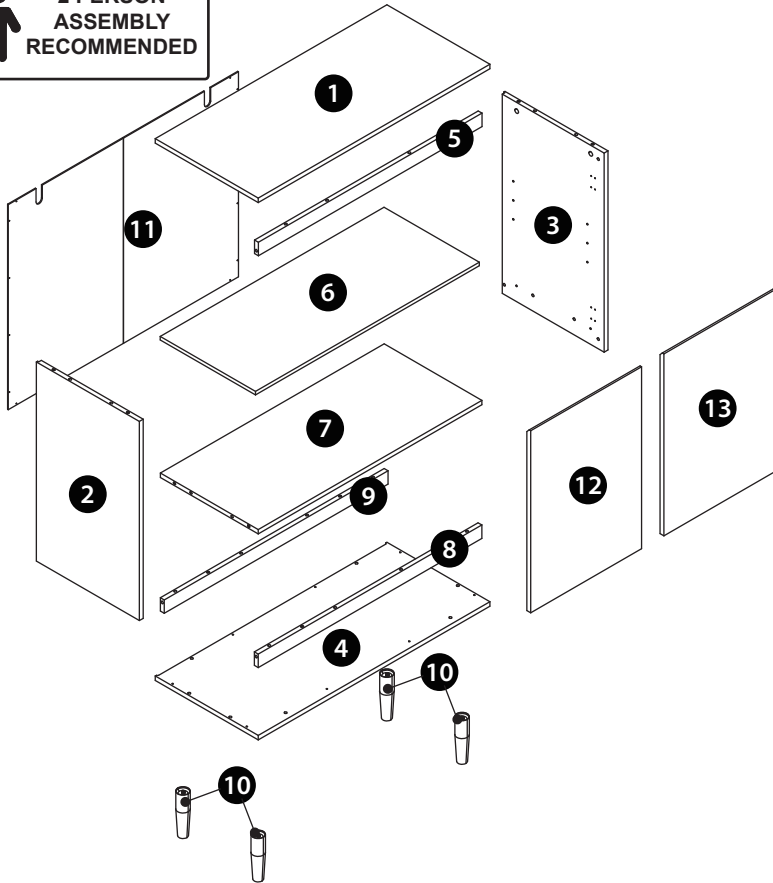
- Only clean using a damp cloth and mild detergent, do not use bleach or abrasive cleaners.
- From time to time check that there are no loose screws on this unit.

·This product should not be discarded with household waste. Take to your local authority waste disposal center.

Note: *If required the next page can be cut out and used as reference throughout the assembly. Keep this page with these instructions for future reference*

COMPONENTS — PANELS

Please check you have all the panels listed below:



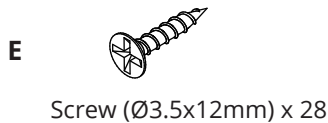
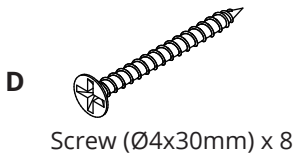
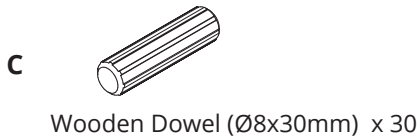
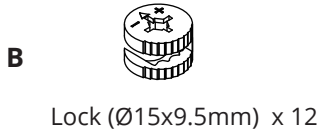
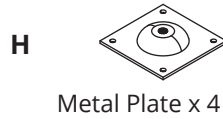
PANEL LIST

1	Top Panel	x1	8	Bar	x1
2	Left Side Panel	x1	9	Bar	x1
3	Right Side Panel	x1	10	Leg	x4
4	Bottom Panel	x1	11	Back Panel	x1
5	Bar	x1	12	Left Door	x1
6	Active Panel	x1	13	Right Door	x1
7	Shelf Panel	x1			



COMPONENTS — FITTINGS

Please check you have all the fittings listed below:



TOOLS NEEDED
(We don't provide)

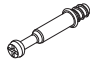



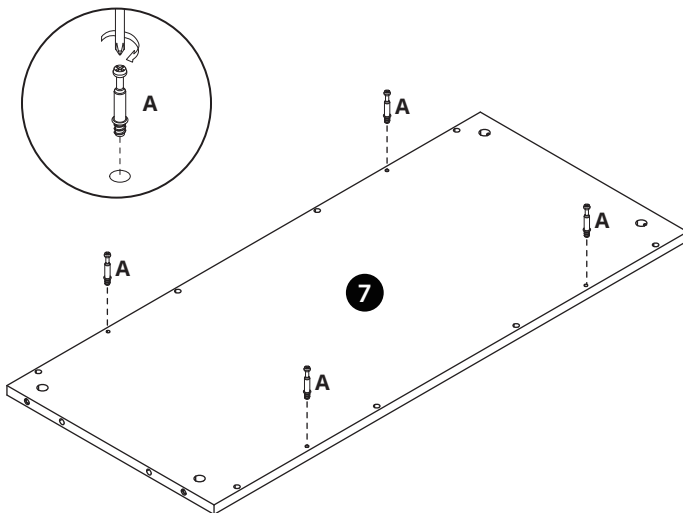
Phillips Screwdriver x 1



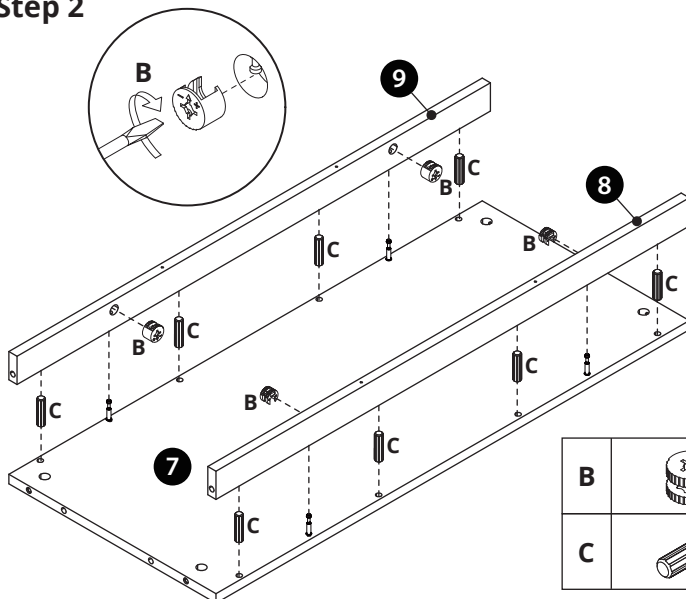
ASSEMBLY INSTRUCTIONS



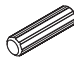
Step 1

A		4	
---	---	---	--





Step 2

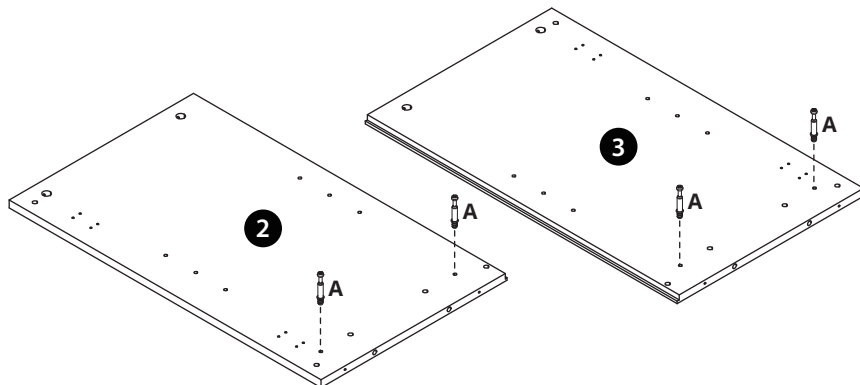


B		4	
C		8	

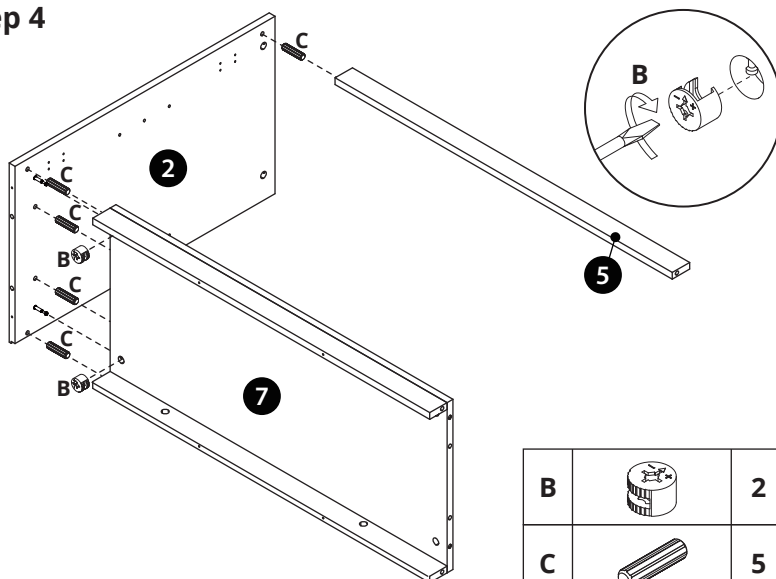
ASSEMBLY INSTRUCTIONS



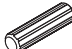

Step 3

A		4	
---	---	---	---



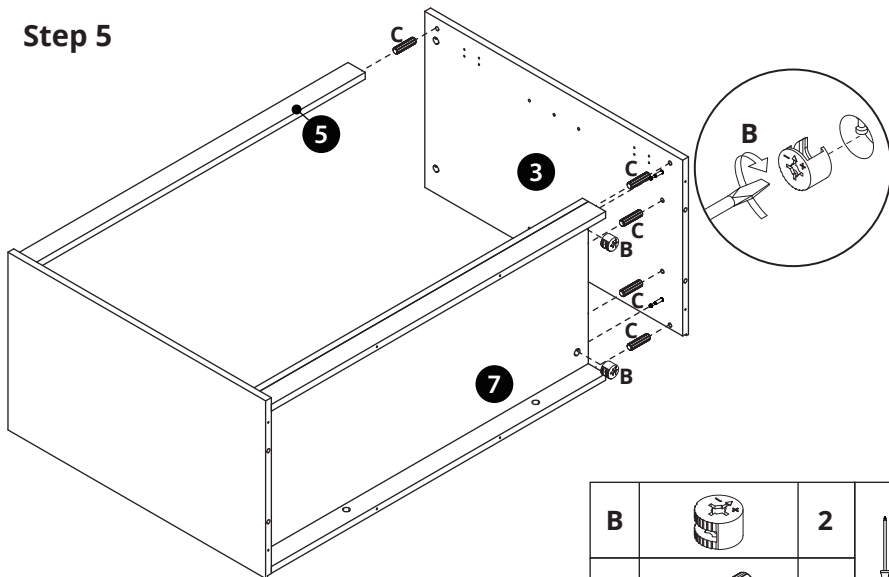
Step 4



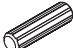


B		2	
C		5	

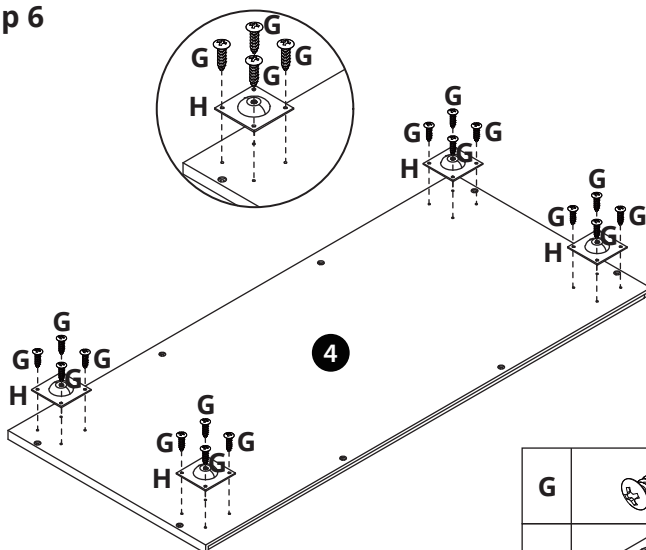
ASSEMBLY INSTRUCTIONS




Step 5



B		2	
C		5	

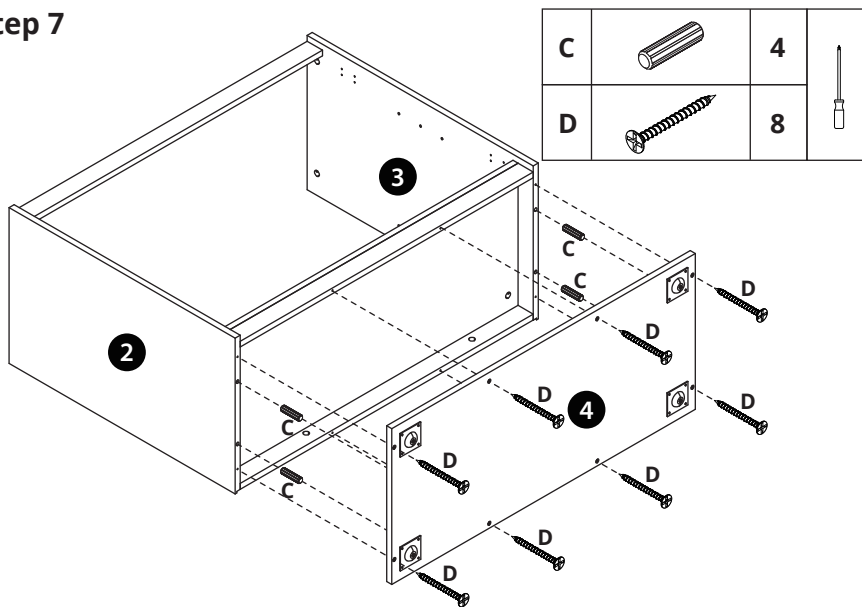
Step 6



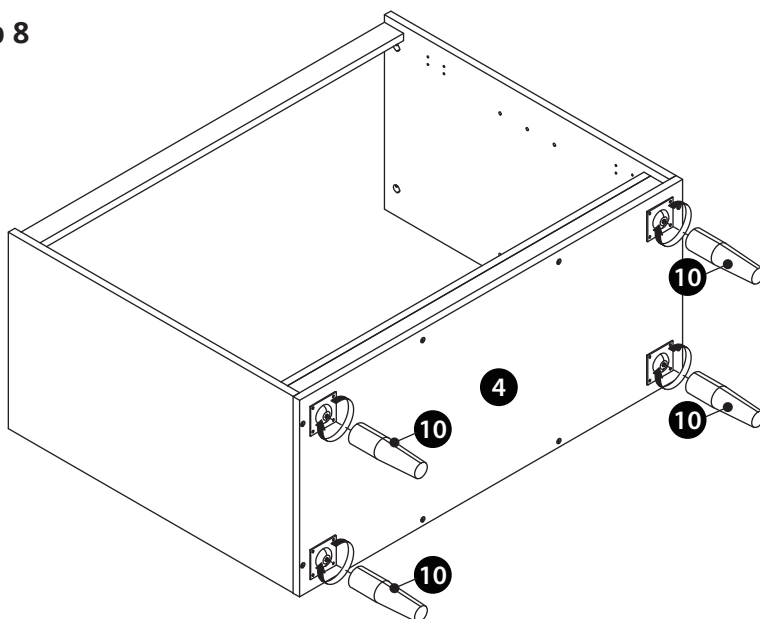
G		16	
H		4	

ASSEMBLY INSTRUCTIONS

Step 7

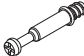


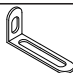


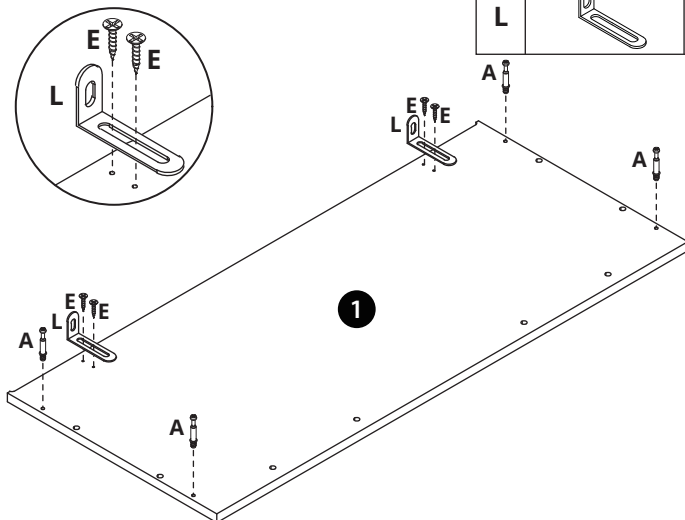
Step 8





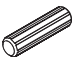
ASSEMBLY INSTRUCTIONS

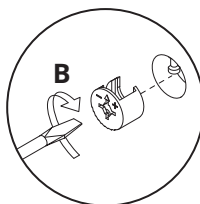
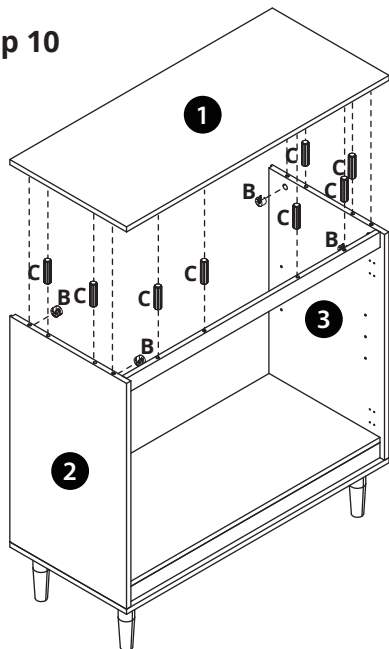
Step 9

A		4	E		4	
			L		2	



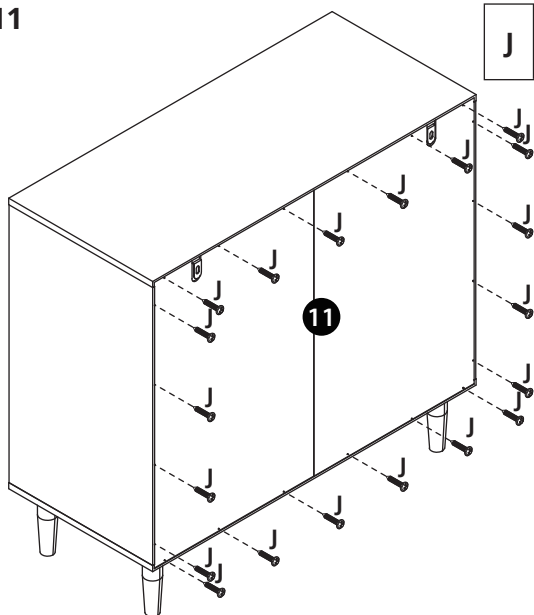
Step 10



B		4	
C		8	



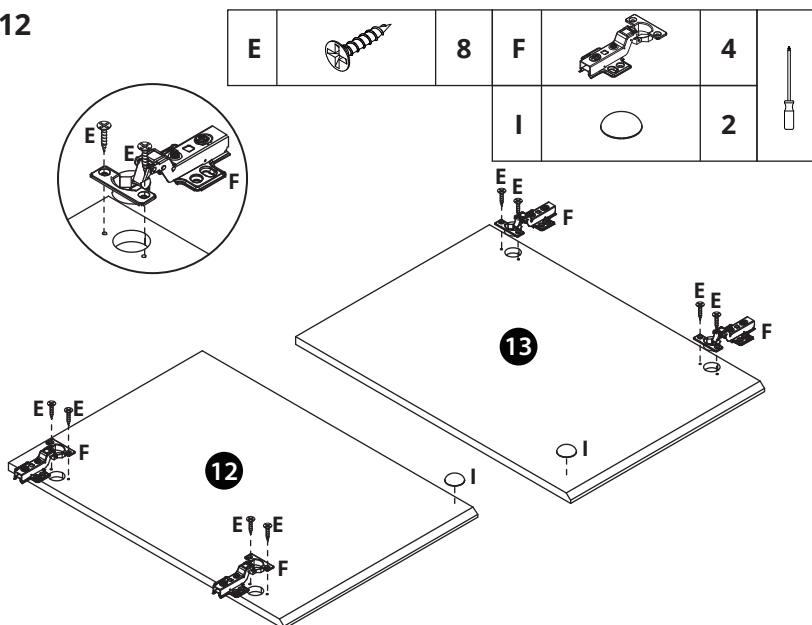
ASSEMBLY INSTRUCTIONS





Step 11



J		20	
---	---	----	---

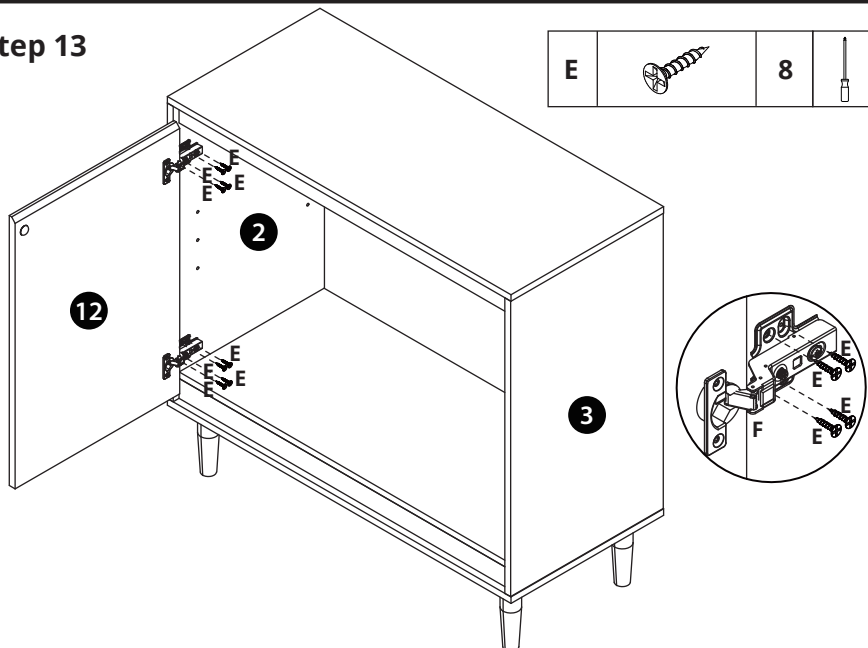
Step 12



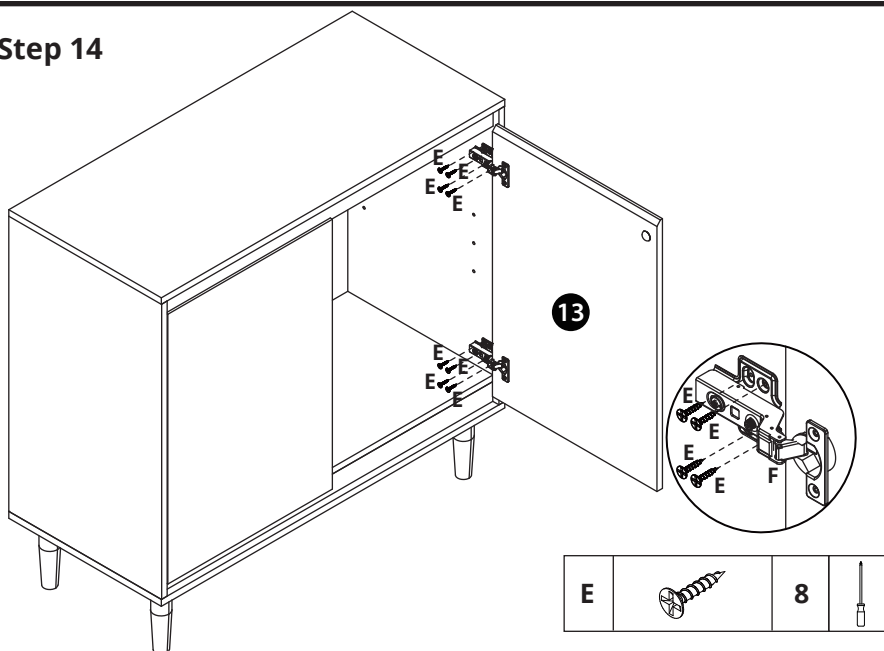
E		8	F		4	
I		2				

ASSEMBLY INSTRUCTIONS

Step 13

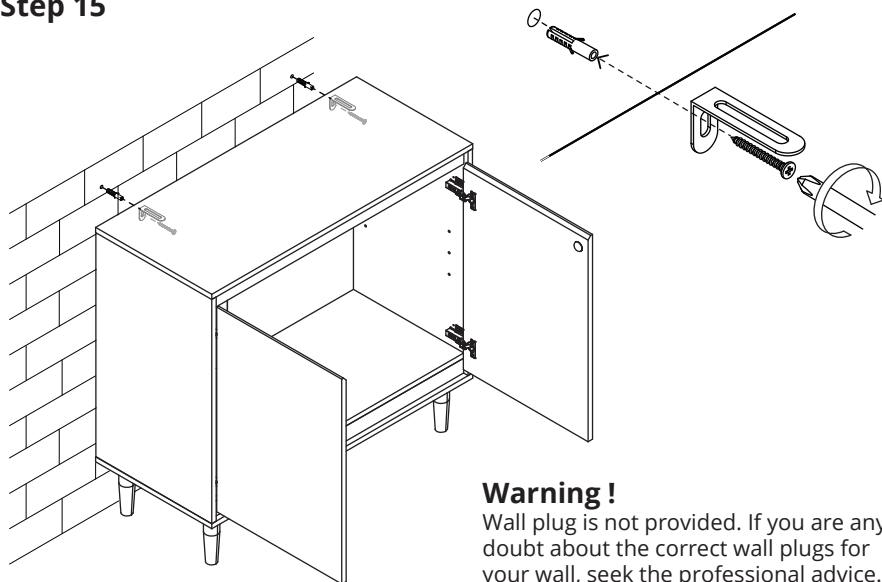


Step 14



ASSEMBLY INSTRUCTIONS

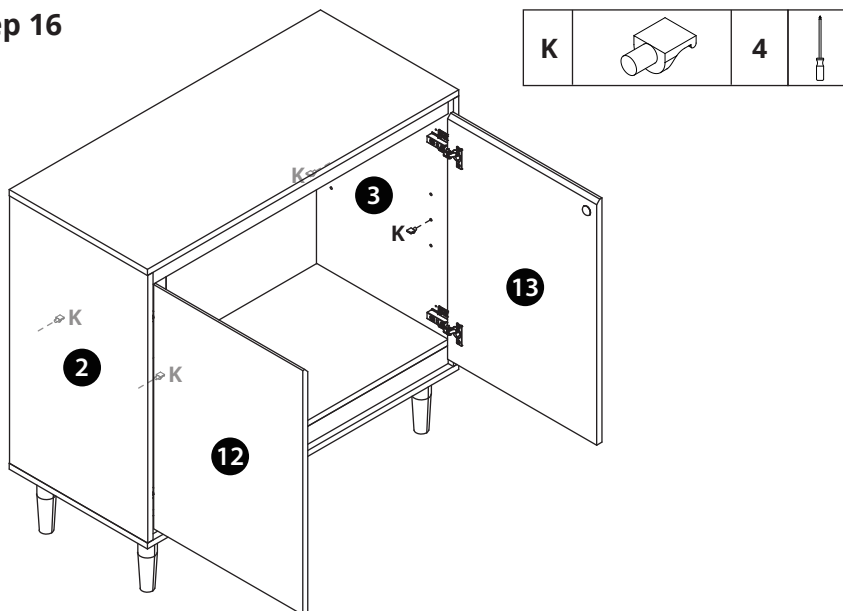
Step 15



Warning!

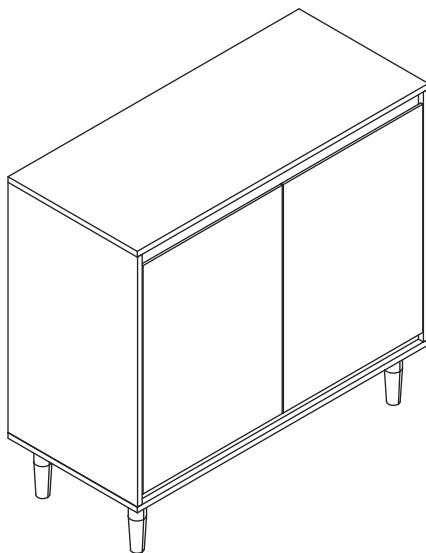
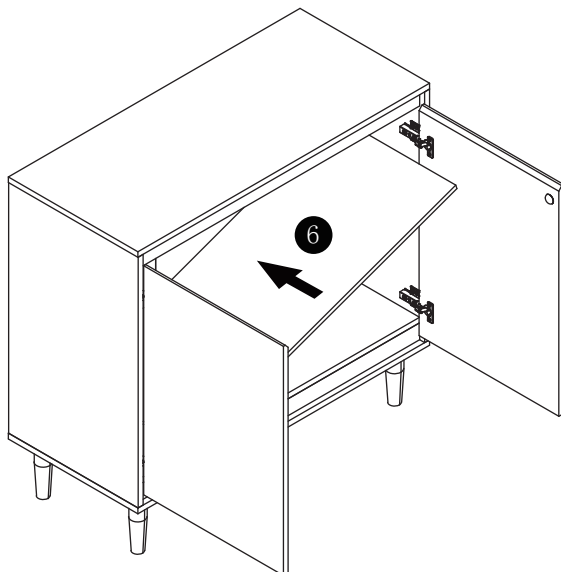
Wall plug is not provided. If you are any doubt about the correct wall plugs for your wall, seek the professional advice.

Step 16



ASSEMBLY INSTRUCTIONS

Step 17



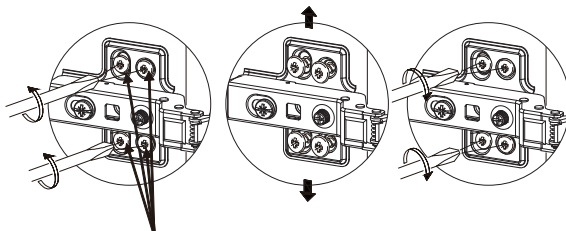
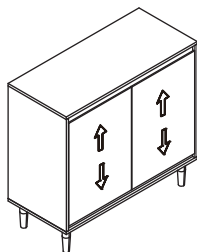
Congratulations! Now you have finished assembling the product.

DOOR ALIGNMENT



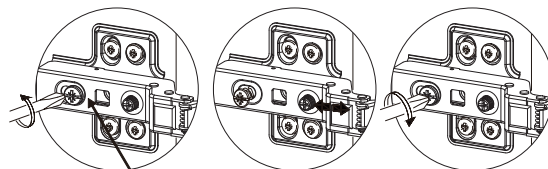
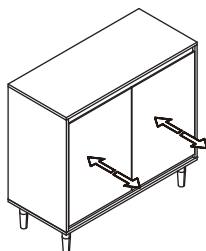
Customer Attention:

To align doors and control gap in between doors. Product doors may need adjusting during and after assembly. This can be done by adjusting appropriate screws. See below illustration.



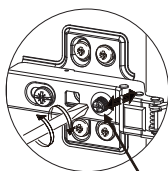
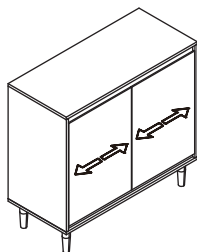
Vertical Door Adjustment:

Loosen both screws on all hinges and lift the door to the desired height. This allows an even space at the top and bottom between the door and frame.



Lateral Door Adjustment:

If door is hinge bound, (rubbing on frame as you close or open door) loosening screw shown and move the door in appropriate direction. (In or out)



Horizontal Door Adjustment:

Rotate Screw clockwise or anticlockwise. This will produce an even gap between doors and frame.

A Guide to - Wall Mounting & Fixings

Important note:

If plastic wall plugs are supplied with your product:



- these are only suitable for use in masonry walls.

If you are in any doubt about the correct wall plugs for your wall, seek professional advice.

Failure of the product due to using incorrect fixings is the responsibility of the installer.



Important: When drilling into walls always check that there are no hidden wires or pipes etc.

Make sure that the screws and wall plugs being used are suitable for supporting your unit. Consult a qualified tradesperson if you are unsure.

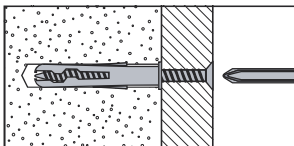
Hints:

- 1: General rule:** ⚠ Always use a larger screw and wall plug if you are not sure.
- 2:** Ensure you use the recommended drill bit to match the wall plug and hole size.
- 3:** Ensure you drill the hole horizontally, do not force the drill or enlarge the hole.
- 4:** Take extra care when drilling high walls, ceilings and ceramic tiles. Ensure wall plugs are inserted beyond the thickness of the ceramic tiles to avoid the tiles splitting or cracking.
- 5:** Ensure wall plugs are well fitted and are a tight fit in the drilled hole.

Types of walls

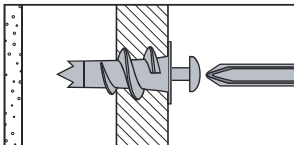
You can use one of the following types of wall plug if your walls are made of brick, breeze block, concrete, stone or wood.

No.1 "General Purpose" wall plug



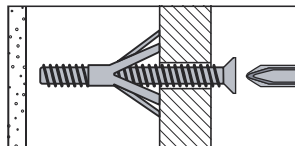
Generally aerated blocks should not be used to support heavy loads, use a specialist fitting in this case. For light loads, general purpose wall plugs can be used.

No.2 "Plasterboard" wall plug



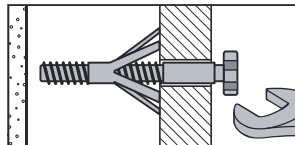
For use when attaching light loads on to plasterboard partitions.

No.3 "Cavity Fixing" wall plug



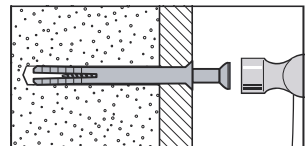
For use with plasterboard partitions or hollow wooden doors.

No.4 "Cavity Fixing-Heavy Duty" wall plug



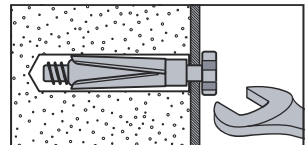
For use when fitting or supporting heavy loads such as shelving, wall cabinets and coat racks.

No.5 "Hammer Fixing" wall plug



For use with walls stuck with plasterboard. The hammer fixing allows it to be fixed to the wall rather than the plasterboard. Always check the fixing is secure to the retaining wall.

No.6 "Shield Anchor" wall plug Heavy loads



For use with heavier loads such as TV & HiFi speakers and satellite dishes etc.



Care & Maintenance

Safety: Always check the fitting and location to ensure your safety in and around the home.

Fitting: From time to time check the fitting to ensure the wall plugs or screws do not become loose.

IF YOU FIND A DEFECTIVE PART

We fully stock all parts and components. Any defective part can be quickly replaced. Take note of the defective part number in manual and we will arrange a quick replacement.

COPYRIGHT

Any unauthorised use may violate worldwide copyright, trademark and other laws.