

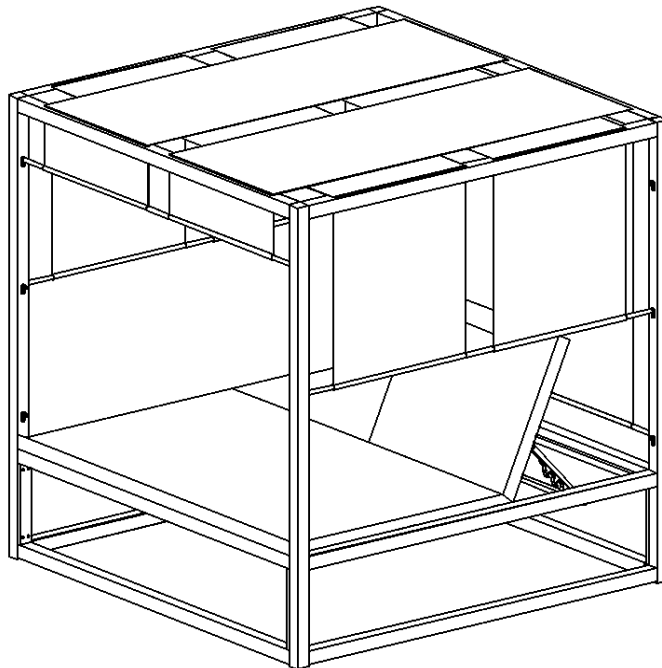
# Assembly Instructions

**Caution :** You must read this before you proceed.

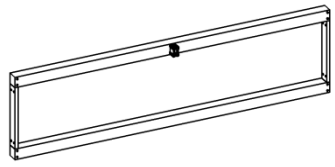
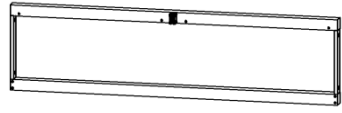
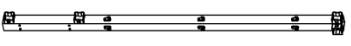

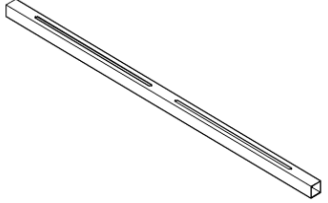
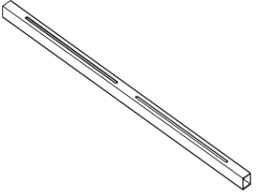


**Read all instructions before assembling and using this product**

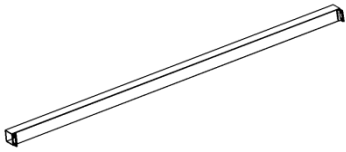
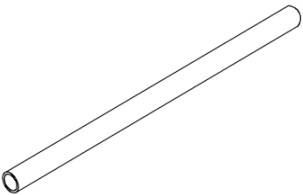
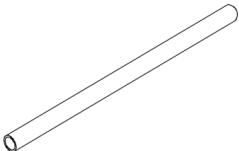
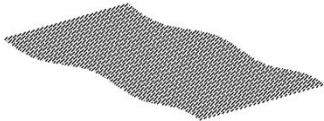
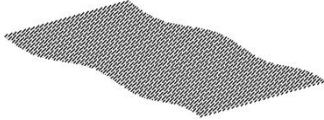
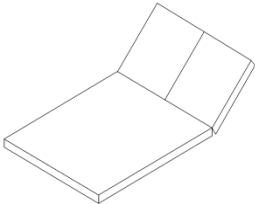
- 1. Select ideal location.** Set out all parts on a clear and level surface prior to assembly. Ideally, the Gazebo should be set up in the desired location to avoid moving it after assembly.
- 2. Team Work.** We recommend 4-5 adults and it may require 3 to 4 hours to fully assemble the Gazebo. If possible, please use safety ladders.
- 3. Use caution.** During the entire assembly process, especially when lifting heavy or large parts or using ladders, pay attention to safety. No one other than those assistants should be allowed in the work area.
- 4. Check all available parts.** Before assembling your Gazebo Frame, make sure that you have all the parts described in the Parts List.
- 5. Ensure that ALL BOLTS** are fully and securely bolted in before you proceed to attach the Canopies.
- 6. Keep children away.** Children shouldn't be allowed in the work area. Do not let them handle parts and tools. Do not allow children to climb the Gazebo.
- 7. It is recommended that the canopy be removed during strong windy conditions.**

## Gazebo


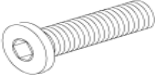
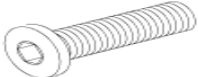
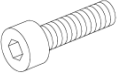


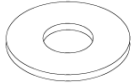




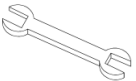
# Parts List

Label	Picture	Description	QTY
A		Front Leg	1
B		Back Leg	1
C		Main Pillar	2
D		Main Pillar	2
E		Supporting Fabric Tube	2
F		Supporting Fabric Tube	2
G		Left Seat	1
H		Right Seat	1

I		Bottom Tube	2
J		Pull Tube	2
K		Pull Tube	2
L		Canopy	2
M		Canopy	2
N		Seat Cushion	1

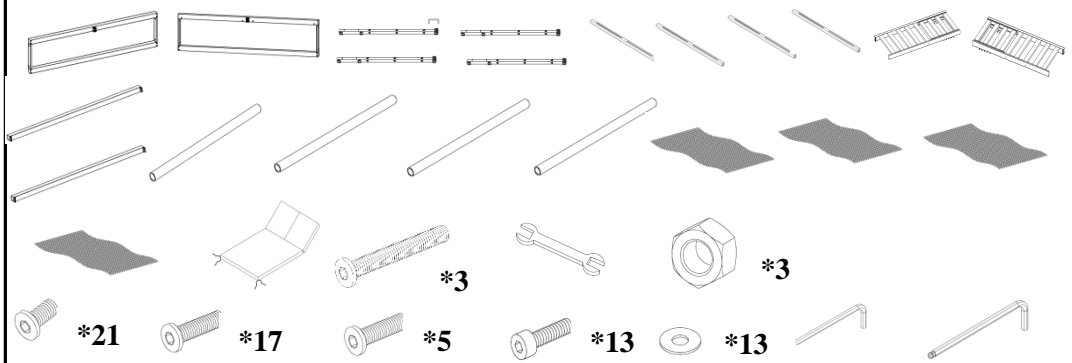
## Hardware

Label	Picture	Description	QTY
①		Bolt(M6*20MM) Crew cut	21
②		Bolt (M6*40MM)	17
③		Bolt (M6*45MM)	5
④		Bolt (M6*20MM) Round Head	13

⑤		Washer	13
⑥		Allen Key(4MM)	1
⑦		Allen Key(5MM)	1
⑧		Bolt (M6*65MM)	3
⑨		Nut	3
⑩		Wrench	1

## Assembly Preparation

Before Beginning Assembly:



- Read instructions, cover to cover-



- Have 2 adults on hand for assembly-



- Do not assemble on flooring or carpet-

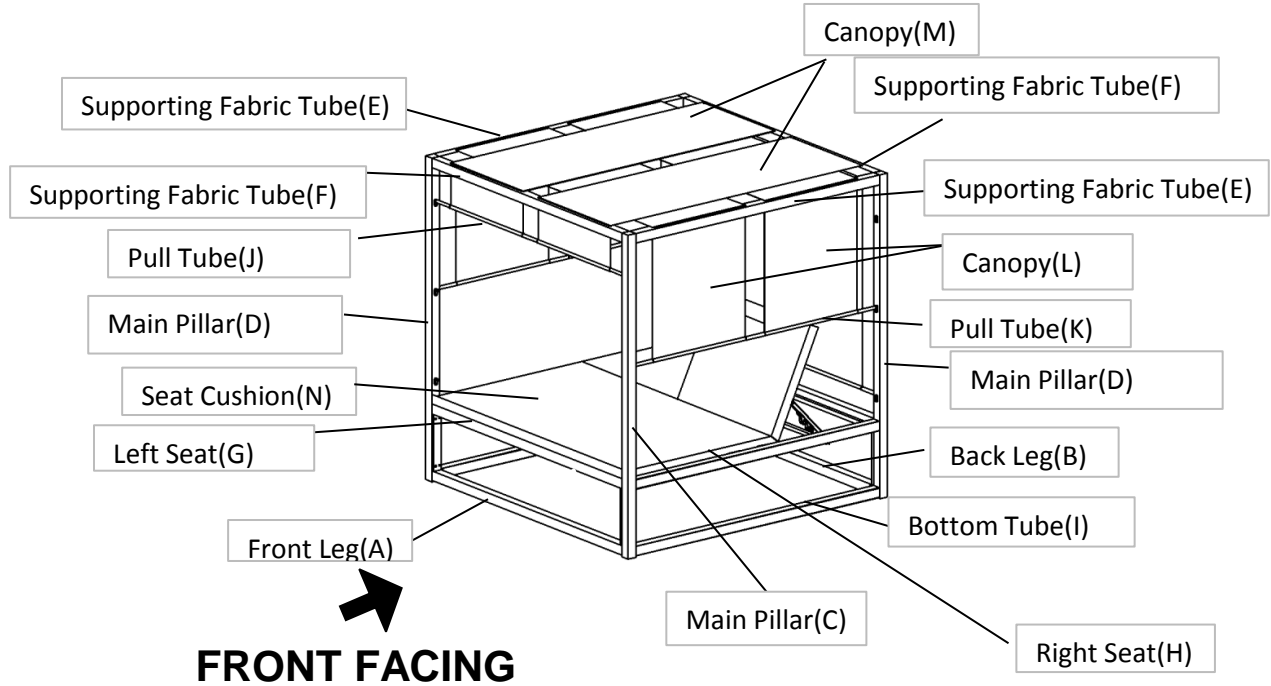


- Assemble on a clean non-marring surface (packing foam)-



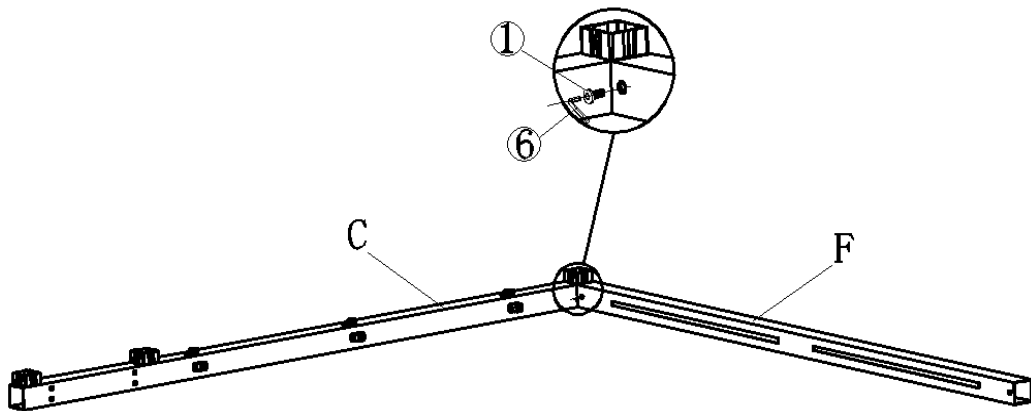
- Save all packaging until finished-

# Assembly Steps



This Gazebo has multiple parts and may require up to 3-4 hours to assemble. To give you an overview of the Gazebo parts, the above picture is to help you put the various parts into perspective. Please read through the instructions below to familiarise yourself with the parts and steps before assembly.

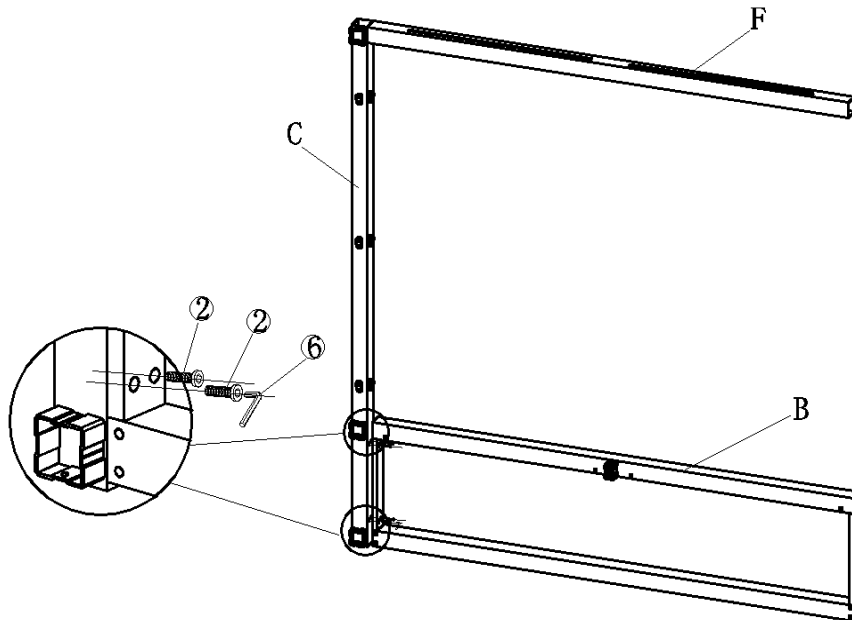
## Step 1



Open the carton and place all the parts onto a clean, non-marring surface. Attach Main Pillar(C) to Supporting Fabric Tube(F) using Bolts(①) with Allen Key(⑥) as shown above.

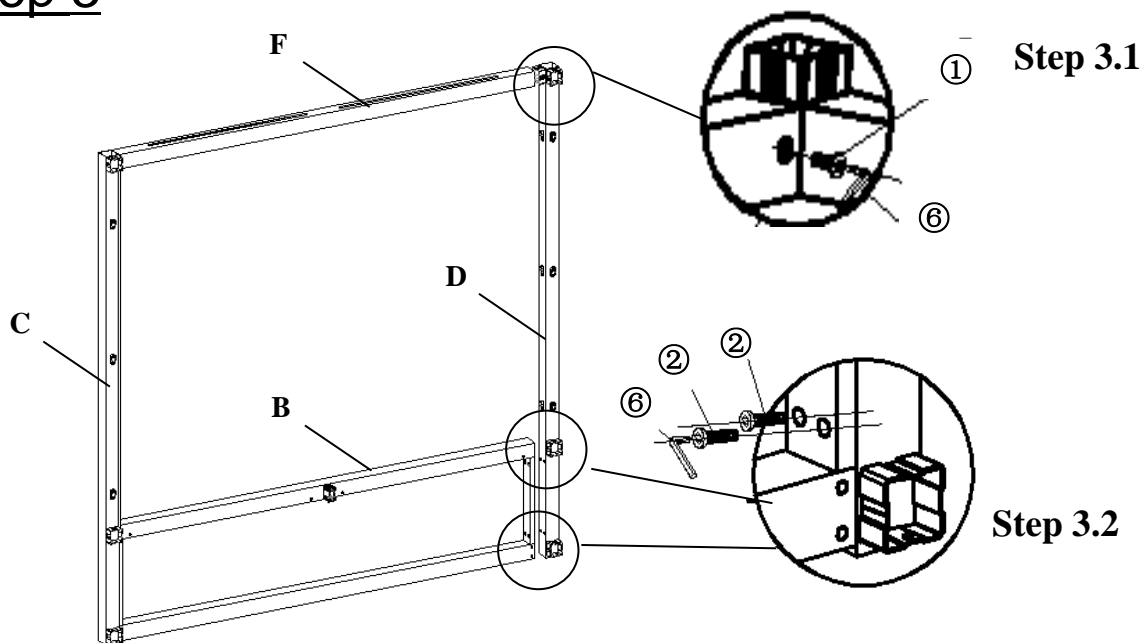
**Do not fully tighten the Bolts.**

## Step 2



Attach Back Leg(B) to Main Pillar(C) using Bolts(2) with Allen Key(6) as shown above  
**Do not fully tighten the Bolts.**

## Step 3

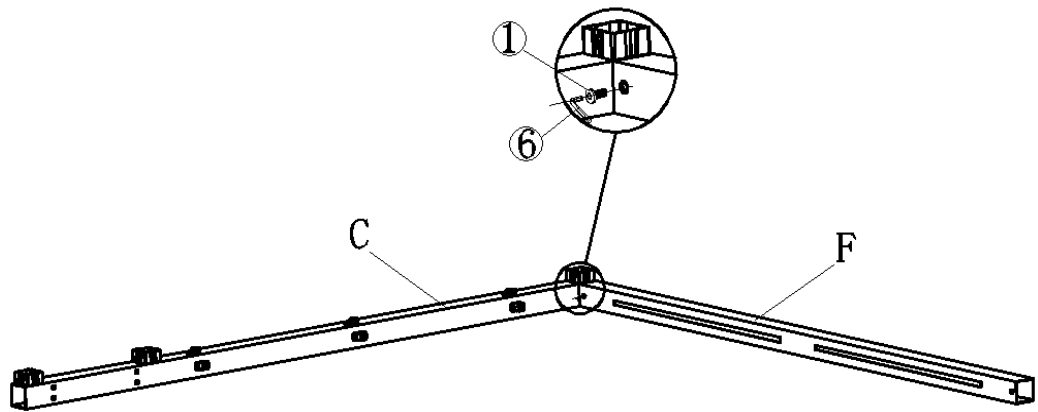


**3.1** Attach Main Pillar(D) to Supporting Fabric Tube(F) using Bolts(1) with Allen Key(6) as shown above

**3.2** Attach Main Pillar(D) to Back Leg(B) using Bolts(2) with Allen Key(6) as pictured.

**Do not fully tighten the Bolts.**

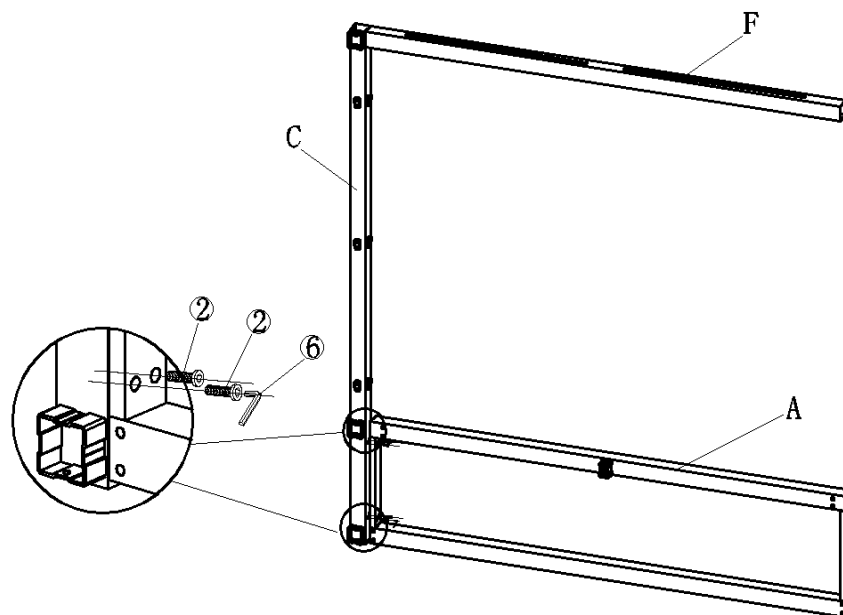
## Step 4



Attach Main Pillar(C) to Supporting Fabric Tube(F) using Bolts(①) with Allen Key(⑥) as shown above.

**Do not fully tighten the Bolts.**

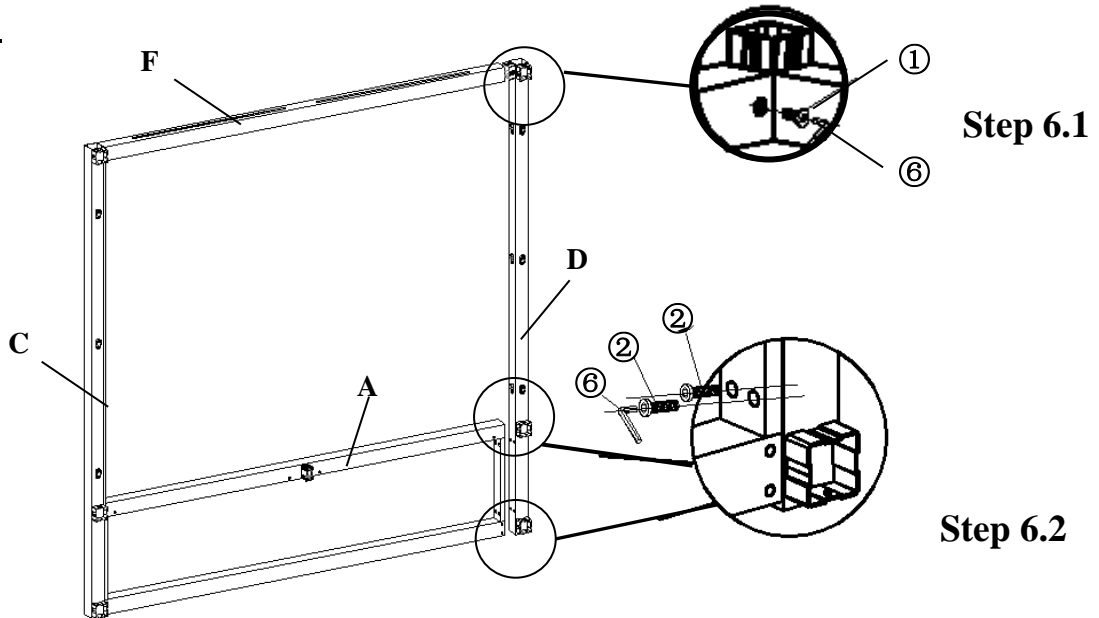
## Step 5



Attach Front Leg(A) to Main Pillar(C) using Bolts(②) with Allen Key(⑥) as shown above

**Do not fully tighten the Bolts.**

## Step 6

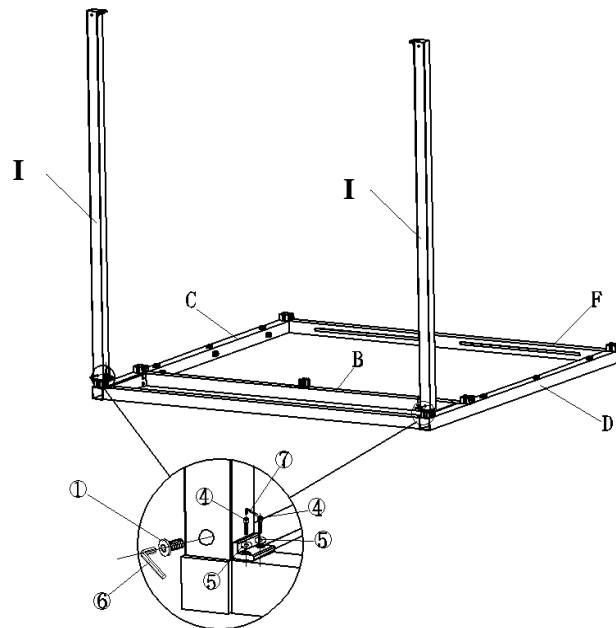


**6.1** Attach Main Pillar(D) to Supporting Fabric Tube(F) using Bolts(1) with Allen Key(6) as shown above

**6.2** Attach Main Pillar(D) to Front Leg(A) using Bolts(2) with Allen Key(6) as pictured.

**Do not fully tighten the Bolts.**

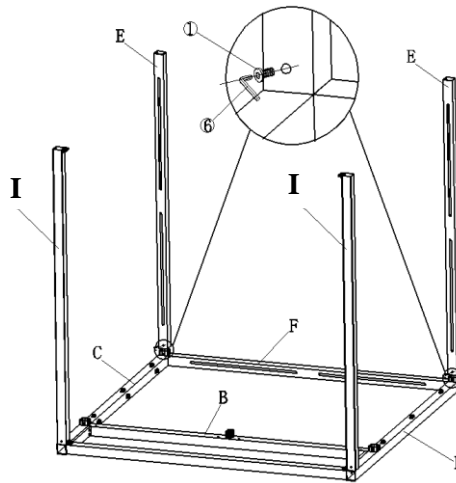
## Step 7



Attach Bottom Tube(I) to Main Pillar(C) and Main Pillar(D) using Bolts(1) with Allen Key(6). Attach Bottom Tube(I) to Main Pillar(C) and Main Pillar(D) using Bolts(4) and Washers(5) with Allen Key(7) as shown above.

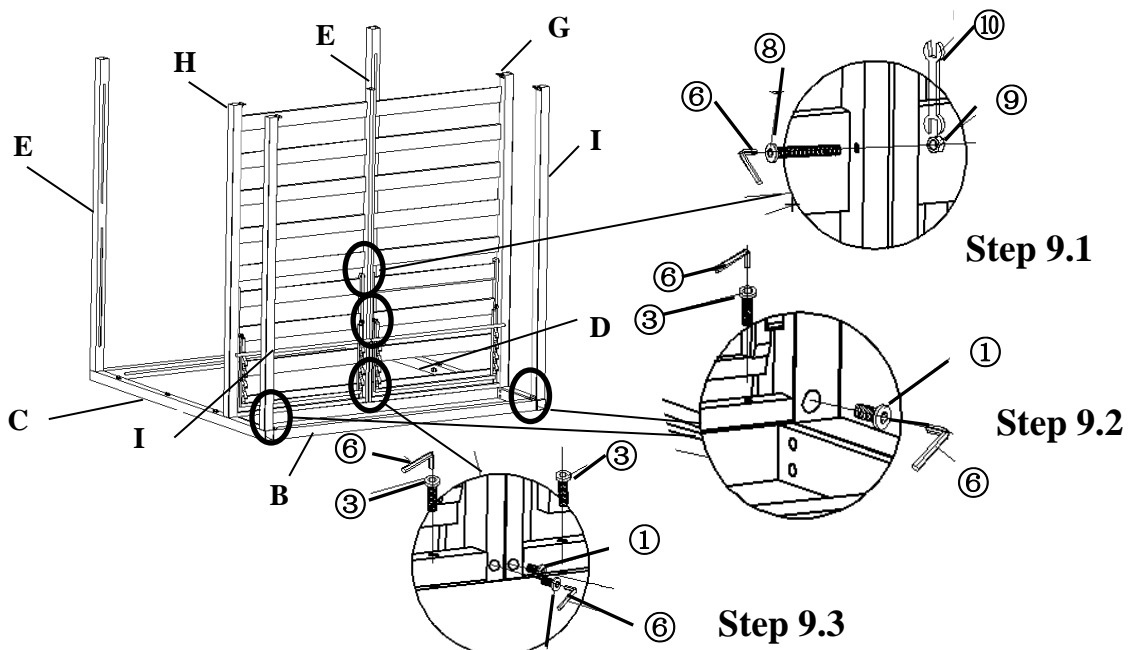
**Do not fully tighten the Bolts.**

## Step 8



Attach Supporting Fabric Tube(E) to Main Pillar(C) and Right Main Pillar(D) using Bolts(①) with Allen Key(⑥) shown above.  
**Do not fully tighten the Bolts.**

## Step 9



**9.1** Attach Left Seat(G) and Right Seat(H) using Bolts(⑧) and Nuts(⑨) with Allen Key(⑥) and Wrench(⑩) as shown above.

**9.2** Attach Bottom Tube(I) to Main Pillar(C) and Main Pillar(D) using Bolts(①) with Allen Key(⑥) as pictured.

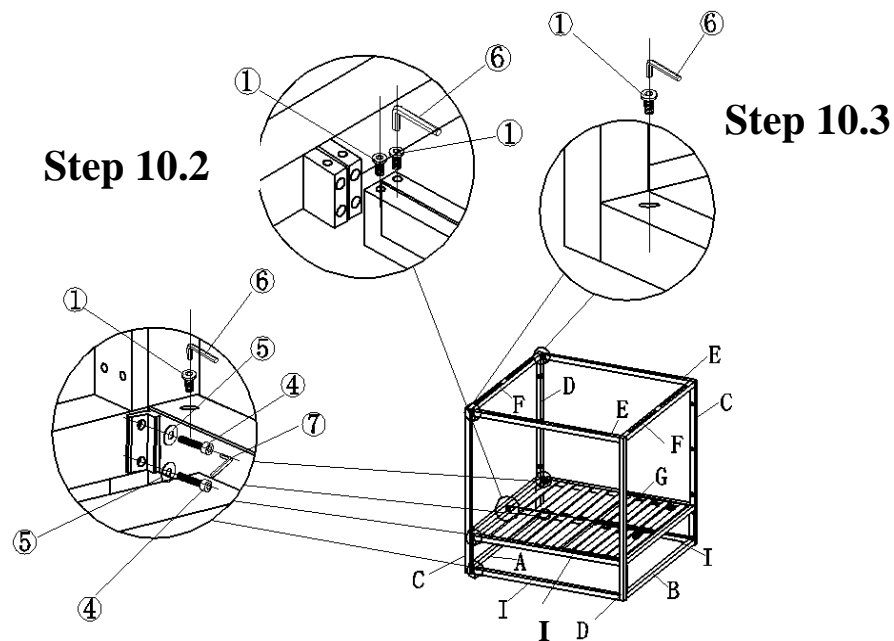
**9.2** Attach Bottom Tube(I) to Main Pillar(C) and Main Pillar(D) using Bolts(③) with Allen Key(⑥) as shown above.

**9.3** Attach Left Seat(G) and Right Seat(H) to Back Leg(B) using Bolts(①) with Allen Key(⑥) as pictured.

**9.3** Attach Left Seat(G) and Right Seat(H) to Back Leg(B) using Bolts(③) with Allen Key(⑥) as pictured.

**Do not fully tighten the Bolts.**

## Step 10



**10.1** Attach Main Pillar(C) and Main Pillar(D) to Bottom Tube(I) and Seat(G) using Bolts(①) with Allen Key(⑥).

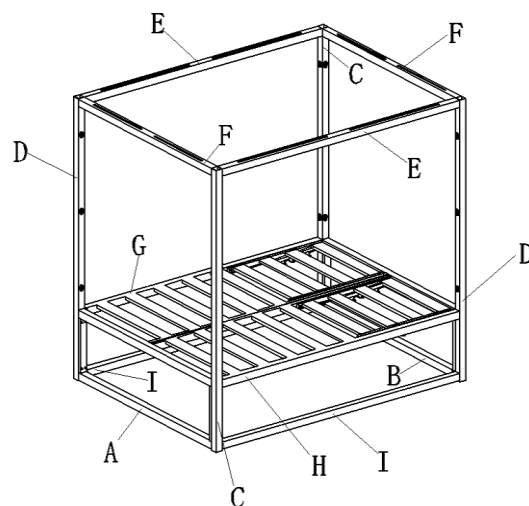
**10.1** Attach Main Pillar(C) and Main Pillar(D) to Bottom Tube(I) and Seat(G) using Bolts(④) and Washers(⑤) with Allen Key(⑦) as shown above.

**10.2** Attach Main Pillar(C) and Main Pillar(D) to Left Seat(G) and Right Seat(H) using Bolts(①) with Allen Key(⑥) as shown above

**10.3** Attach Main Pillar(C) and Main Pillar(D) to Supporting Fabric Tube(E) using Bolts(①) with Allen Key(⑥) as shown above.

**Do not fully tighten the Bolts.**

## Step 11



Stand the Gazebo up.

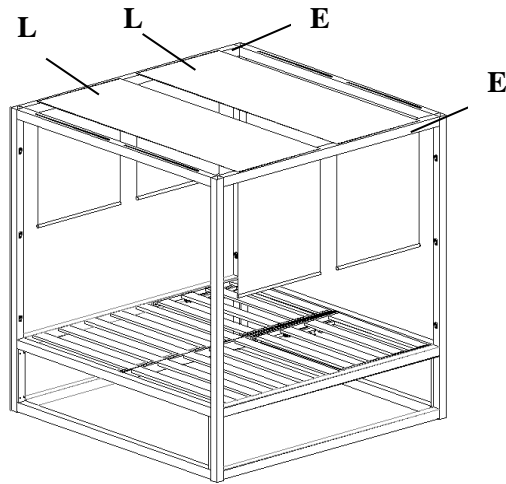
Now tighten the all Bolts at all joints in a sequential manner.

**Note: DO NOT fully tighten a BOLT in one go and then move on to the next.**

**Rather, in a sequential manner, gradually tighten each Bolt until all bolts are evenly secured.**

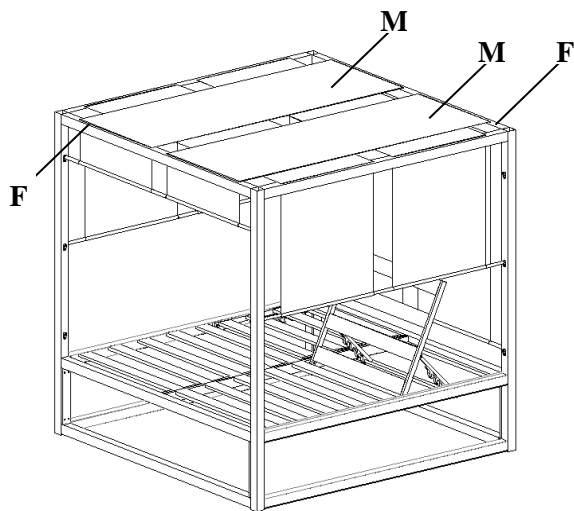
**This methodology will ensure maximum evenness once all Bolts are fully tightened.**

## Step 12



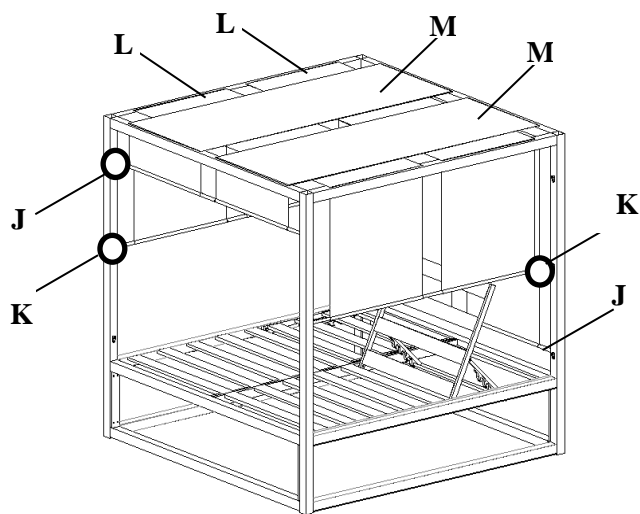
Insert the Canopies(L) through Supporting Fabric Tubes(E) as shown above

## Step 13



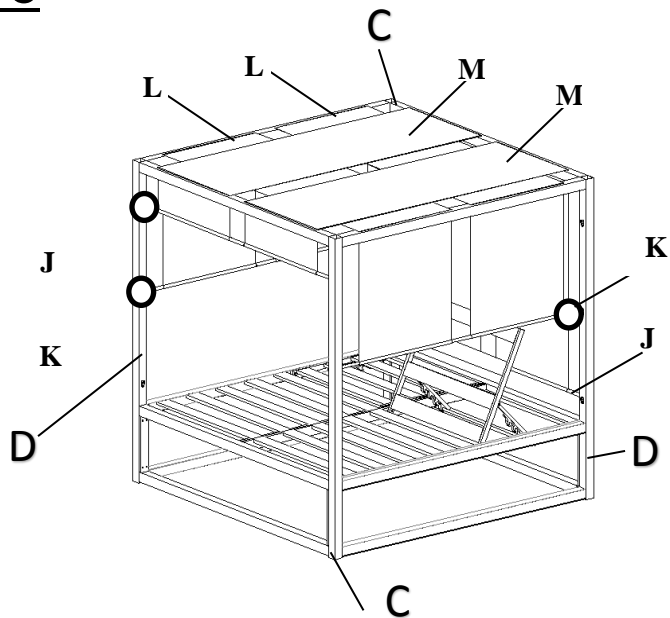
Insert the Canopies(M) through Supporting Fabric Tubes(F) as shown above

## Step 14



Insert the Pull Tubes(J) into the sleeves of the Canopies(M).  
Insert the Pull Tubes(K) into the sleeves of the Canopies(L).

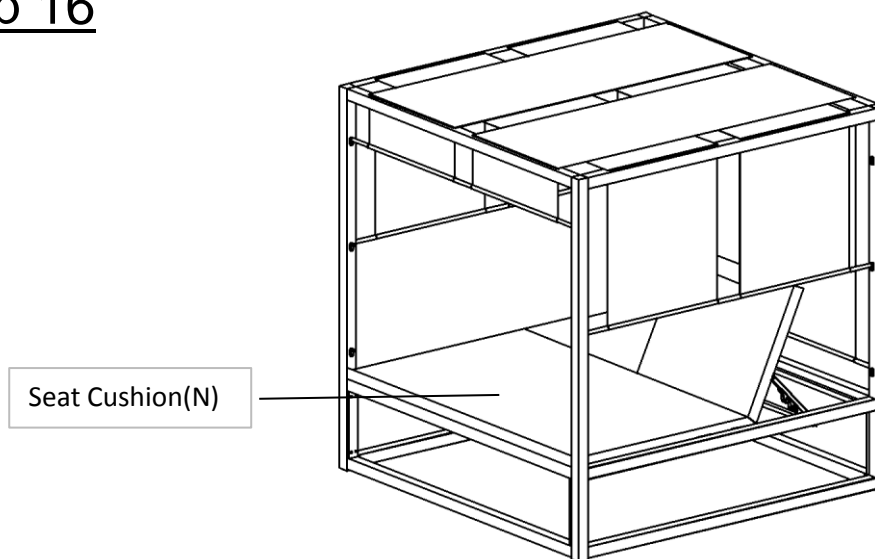
## Step 15



Insert Pull Tubes(J/K) into Main Pillars(C) and Main Pillars(D) holding clips as pictured.

**Note: You can adjust the Canopies positions and then place the Pull Tubes(J/K) into the higher and lower to Main Pillars(C) and Main Pillars(D) holding clips.**

## Step 16























Put Seat Cushion(M) on the Seat.

Your Gazebo is ready for use.

**This Gazebo can only be used on a flat, level surface.**

## Care & Maintenance

-   ● Do not put hot items directly on furniture surface
-   ● Do not clean furniture with harsh cleansers or polish.
-   ● To obtain the longest lifespan of your outdoor products, minimizing exposure to direct sunlight is recommended.
-   ● Children should not climb or jump on the furniture.
-   ● Do not write on furniture without a padded barrier to protect the surface.
-   ● To obtain the longest lifespan of your outdoor products, avoid extended and lengthy exposure to rain, snow, and direct sunshine. Whenever possible cover the product and /or place under patio or awnings.
-   ● Not for commercial use. For residential use only .
-   ● Stains may be removed with mild soap solution and damp cloth.
-   ● Keep away from sources of ignition.
-   ● Dust and pick-up spills using a clean, non-colored, lint-free cloth.

## Questions & Answers about Proposition 65

### • What is Proposition 65?

Proposition 65 requires businesses to provide warnings to Californians about significant exposures to chemicals that cause cancer, birth defects or other reproductive harm. These chemicals can be in the products that Californians purchase, in their homes or workplaces, or that are released into the environment. By requiring that this information be provided, Proposition 65 enables Californians to make informed decisions about their exposures to these chemicals.

Proposition 65 also prohibits California businesses from knowingly discharging significant amounts of listed chemicals into sources of drinking water.

Proposition 65 requires California to publish a list of chemicals known to cause cancer, birth defects or other reproductive harm. This list, which must be updated at least once a year, has grown to include approximately 900 chemicals since it was first published in 1987.

### • What types of chemicals are on the Proposition 65 list?

The list contains a wide range of naturally occurring and synthetic chemicals that include additives or ingredients in pesticides, common household products, food, drugs, dyes, or solvents. Listed chemicals may also be used in manufacturing and construction, or they may be byproducts of chemical processes, such as motor vehicle exhaust.

### • What does a warning mean?

If a warning is placed on a product label or posted or distributed at a workplace, a business, or in rental housing, the business issuing the warning is aware or believes that it is exposing individuals to one or more listed chemicals.

By law, a warning must be given for listed chemicals unless the exposure is low enough to pose no significant risk of cancer or is significantly below levels observed to cause birth defects or other reproductive harm.

### • Where can I get more information on Proposition 65?

If you have specific questions on the administration or implementation of Proposition 65, you can contact OEHHA's Proposition 65 program at [P65.Questions@oehha.ca.gov](mailto:P65.Questions@oehha.ca.gov), or by phone at (916) 445-6900.