


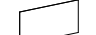





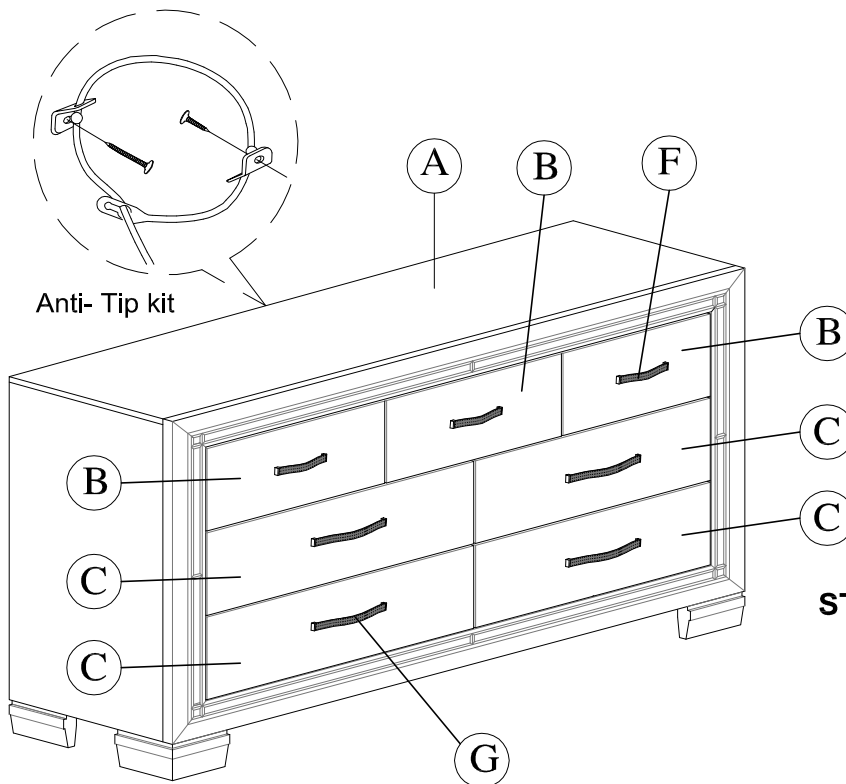
ASSEMBLY INSTRUCTION

DESCRIPTION : DRESSER

Thank you for purchasing this quality product. Be sure to check all packing material carefully for small parts which may have loose inside the carton during shipment. Identify and count all parts and compare with the parts list below.

PART LIST

NO	NAME	PART	QTY
A	Platinum Dresser Top		1pc
B	Platinum Dresser Drawer 1 (Felt)		3pcs
C	Platinum Dresser Drawer 2		4pcs
D	Platinum Dresser Back Panel		1pc
E	Platinum Dresser Center Leg with Leveler		1pc
F	Platinum Dresser Handle with Screw (S)		3pcs
G	Platinum Dresser Handle with Screw (L)		4pcs



STEP 2 : Secure the center leg as shown in the diagram. The center leg can be adjust to level with the floor.

