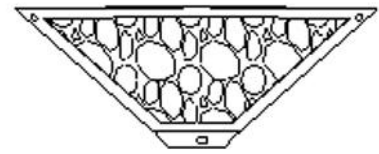
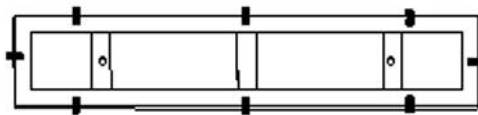


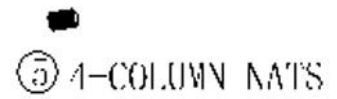
① 2-MAIN METAL FRAME



② 2-SIDE METAL FRAME



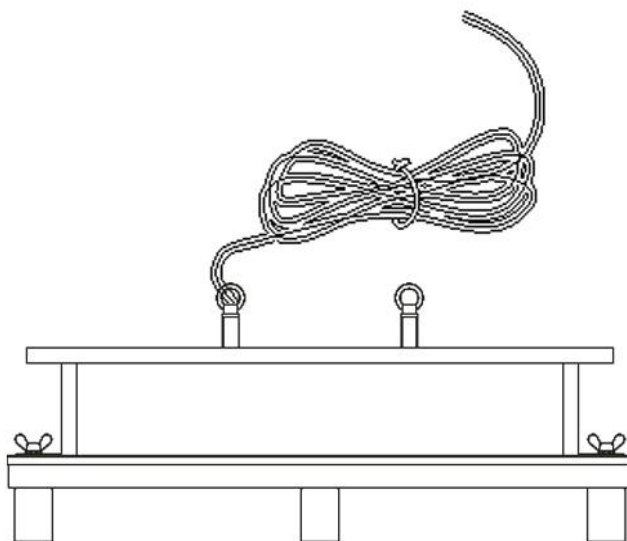
③ 1-MATAL CROWN



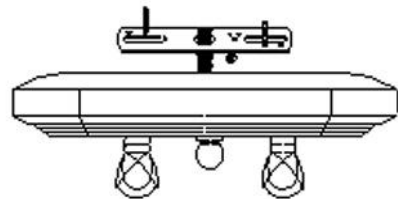
⑤ 4-COLUMN NUTS



⑥ 8 WING NUTS



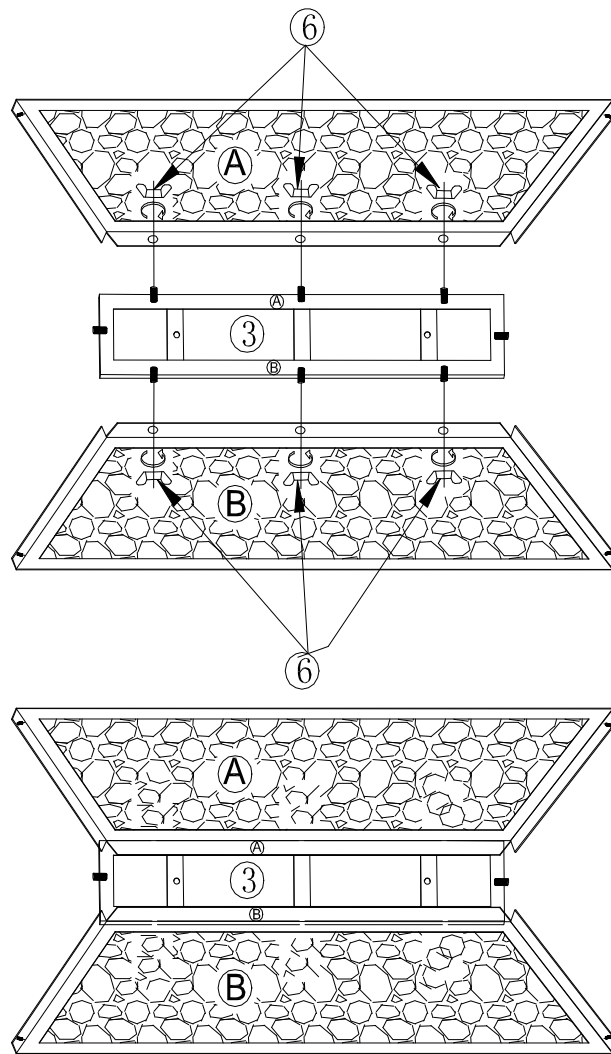
④ 2-SOCKET



⑦ 1-CANPOVY

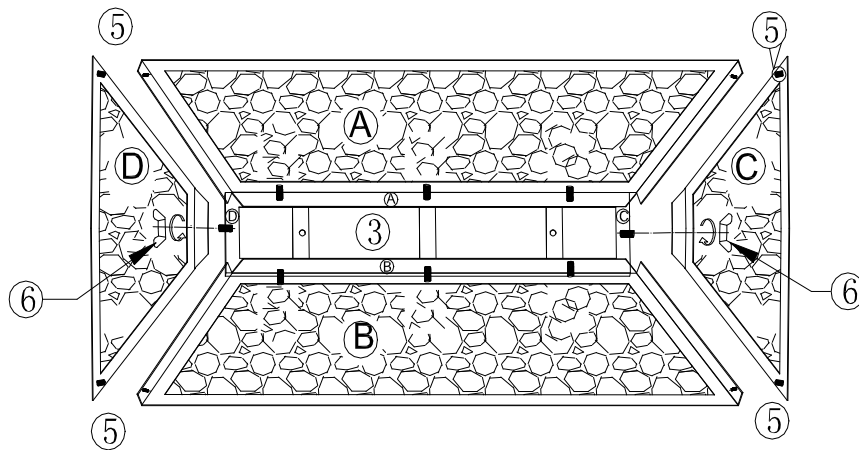


⑧ 2-CHAIN



STEP 1,2

Put the metal Crown on the smooth surface, Screw tightly two main metal Frames on the Crown by wing nuts.

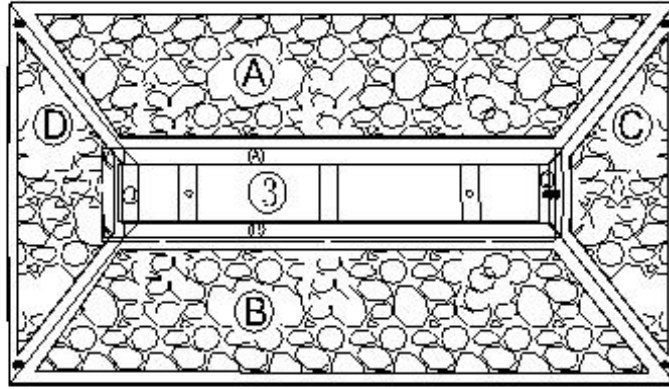


Step 3

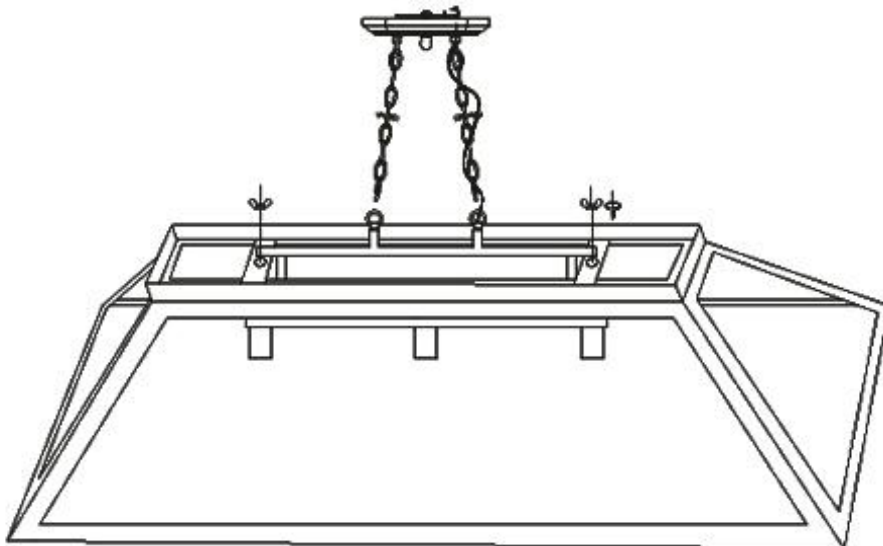
Insert two side metal frames, Screw them tightly on the crown by wing nut, Then screw on the main frame by column nuts.

Nate:

- Screw "A" panel to "A" side of crown
- Screw "B" panel to "B" side of crown
- Screw "C" panel to "C" side of crown
- Screw "D" panel to "D" side of crown



Step 4
 Assembly two sockets on the bar of crown;



Step 5
 Assembly the billiard on the roof as uide of the
 quality electrician.

