

MANUAL BOOK



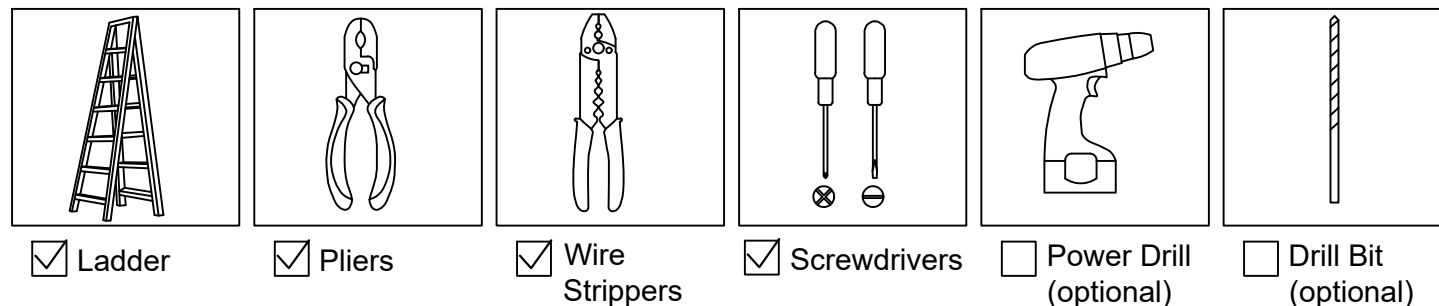
MAIN SPECIFICATIONS

Type	Chandelier
Fixture Size	D 30 ",H18.8 "
Hanging Chain	Max.60"
Weight	Appr.33 LBS
Bulbs Required	15 E 12 Bulbs (not included)
Wattage	Max.60W per Bulb
Voltage	110V-130V

PREPARATION

- Check if the packaging is complete and remove all accessories from the packaging
- Refer to the accessory list on pages 3 and 4, verify and familiarize with the parts. **Easily fragile/damaged/lost parts come with spare parts to ensure a smooth installation**
- If dimming function is required, please purchase suitable dimming bulbs and matching dimming switches
- Assembly will take time, especially for hanging crystals which is inevitable for most chandelier installations. Please be patient
- Please wear gloves for installation

Tools You Need



If mounting to a support structure, you will also need the optional tools.

WARNING/CAUTION

WARNING: FOR YOUR PROTECTION AND SAFETY-Carefully read and understand the information given in this manual before beginning assembly and installation. Failure to do so could lead to electric shock, fire or other injuries. **PRODUCT MUST BE INSTALLED BY A PERSON FAMILIAR WITH THE CONSTRUCTION AND OPERATION OF THE PRODUCT AND THE HAZARDS INVOLVED IN ACCORDANCE WITH THE APPLICABLE INSTALLATION CODE.**

BE SURE THE ELECTRICITY TO THE WIRES YOU ARE WORKING ON IS SHUT OFF; EITHER THE FUSE IS REMOVED OR THE CIRCUIT BREAKER IS TURNED OFF. TURNING THE POWER OFF USING THE LIGHT SWITCH IS NOT SUFFICIENT TO PREVENT ELECTRICAL SHOCK.

NOTE: The important safeguards and instructions appearing in this manual are not meant to cover all possible conditions or situations that may occur. It must be understood that common sense, caution, and care, are factors which cannot be built into any product. These factors must be supplied by the person(s) installing this unit.

READ & SAVE THESE INSTRUCTIONS

CAUTION: Before assembling the lighting fixture, refer to the section titled Wiring Connections. If you feel you do not have enough electrical wiring experience, either refer to a do-it-yourself wiring handbook or have your lighting fixture installed by a qualified, licensed electrician.

LIGHT BULBS REQUIRED

This fixture uses E12 bulb base, works with incandescent, LED, CFL, halogen or color changing bulbs up to 60W. Fully dimmable when used with dimmable bulbs and a compatible dimmer switch (not included).

Due to different requirements, in order to avoid waste, **BULBS ARE NOT INCLUDED IN THIS ITEM.** Please purchase the right bulbs you need.

15 pieces E 12 bulbs are required for this light fixture.

Trouble Shooting

1. Missing/Broken Parts

• Make a list of the missing/broken parts according to the packing list, take photos for broken parts, then email us for free replacements. (If spare parts in package is still insufficient)

2. Bulbs Do Not Light Up

- Check your power and switch to make sure it's power on.
- Check the bulb to make sure it's installed correctly.
- Change a new bulb.
- Check the wires to make sure they are connected correctly.

3. Bulbs Flicker/Noisy Operation

- Check the bulb to make sure it's installed correctly.
- Change a new bulb.
- Make sure your bulb is dimmable if you use a dimmer switch.

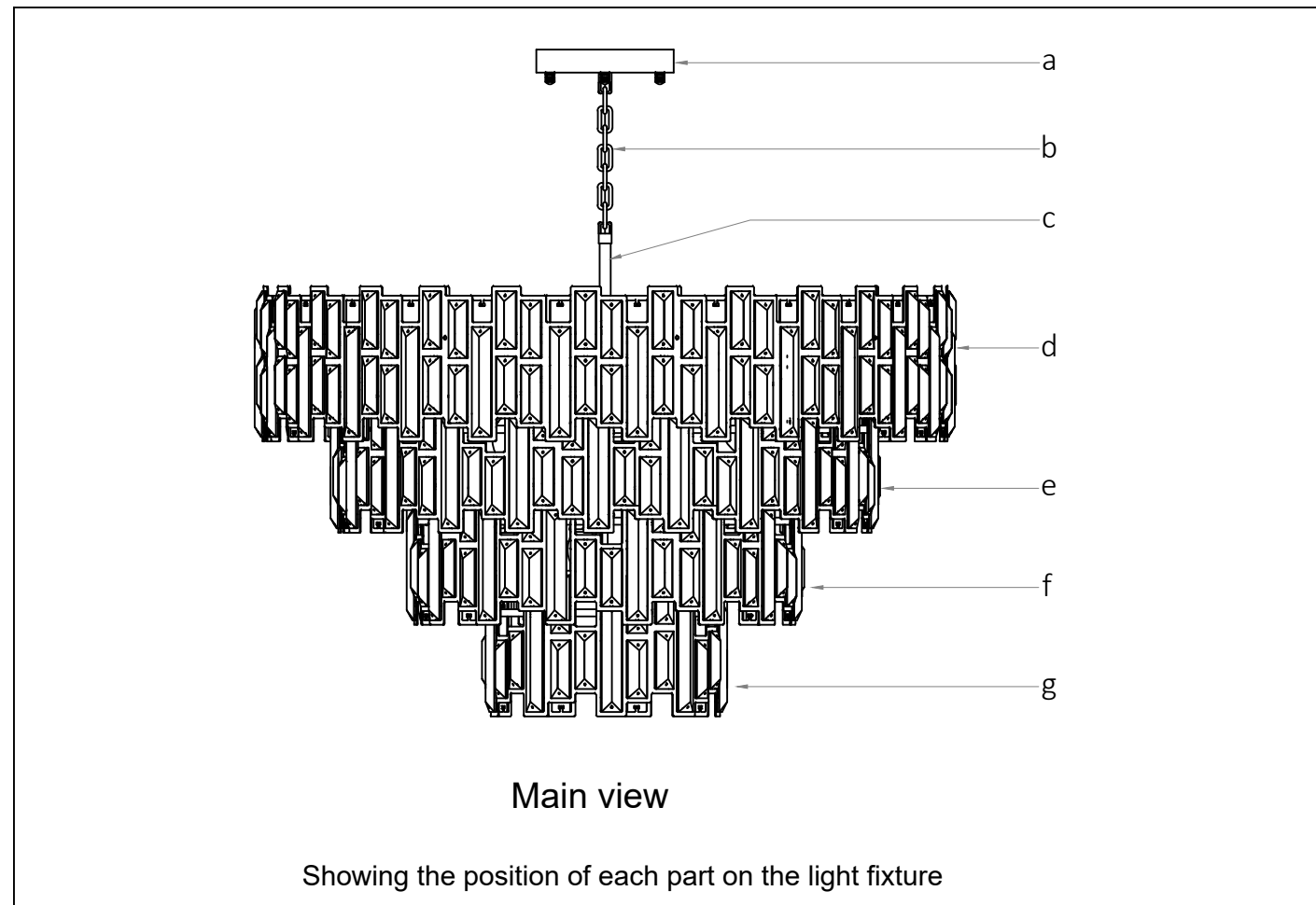
4. Could Not Install/Assemble

- Take photos of the ceiling/fixture, contact seller for technical support.

Trouble Shooting

To clean, wipe fixture with soft cloth. Spray from chemical cleaners can discolor the finish of fixture. Do not use scouring pads, powders, steel wool or abrasive paper to clean this fixture.

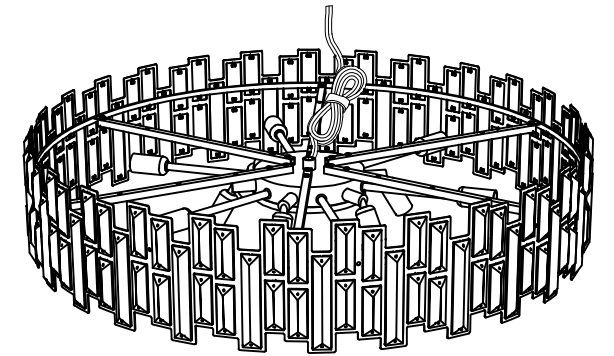
Check the contents to be sure everything is included



a:Ceiling Canopy



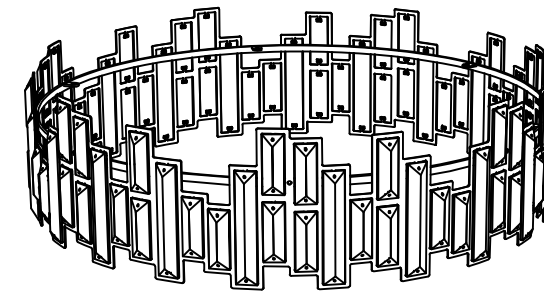
b: Metal Chain



d. Frame-1



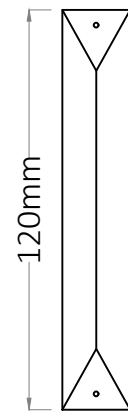
c: Metal Tube



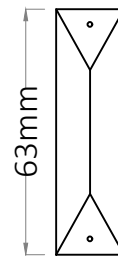
e: Frame-2



e-1: Connection bar-1(6 pcs)



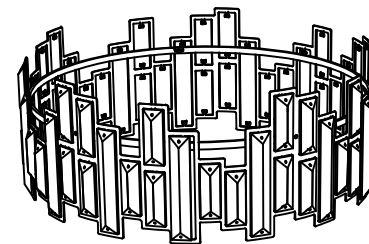
A



B

CRYSTAL LIST

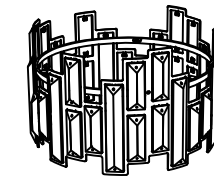
All the crystals for this chandelier have been installed and have also prepared some spare crystal parts in case of detachment or damage



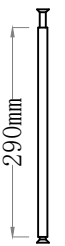
f: Frame-3



f-1: Connection bar-2(3 pcs)



g: Frame-4



g-1: Connection bar-3(3 pcs)

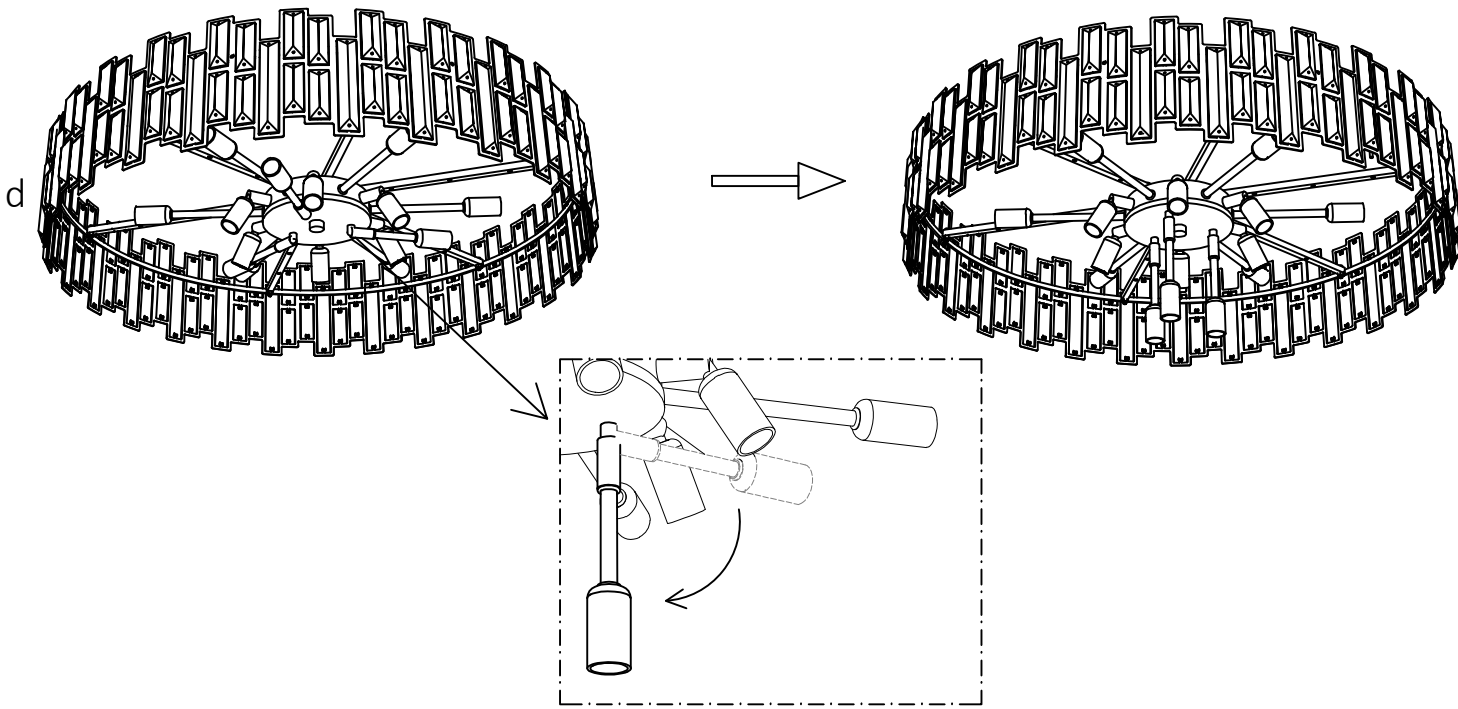
OTHERS

- Main Spare parts
Parts A(5 pcs),Parts B(10 pcs),
- White gloves(1 pair)
- Fittings bag(1 bag,Screws and other small accessories)
- Installation manual(1 set)

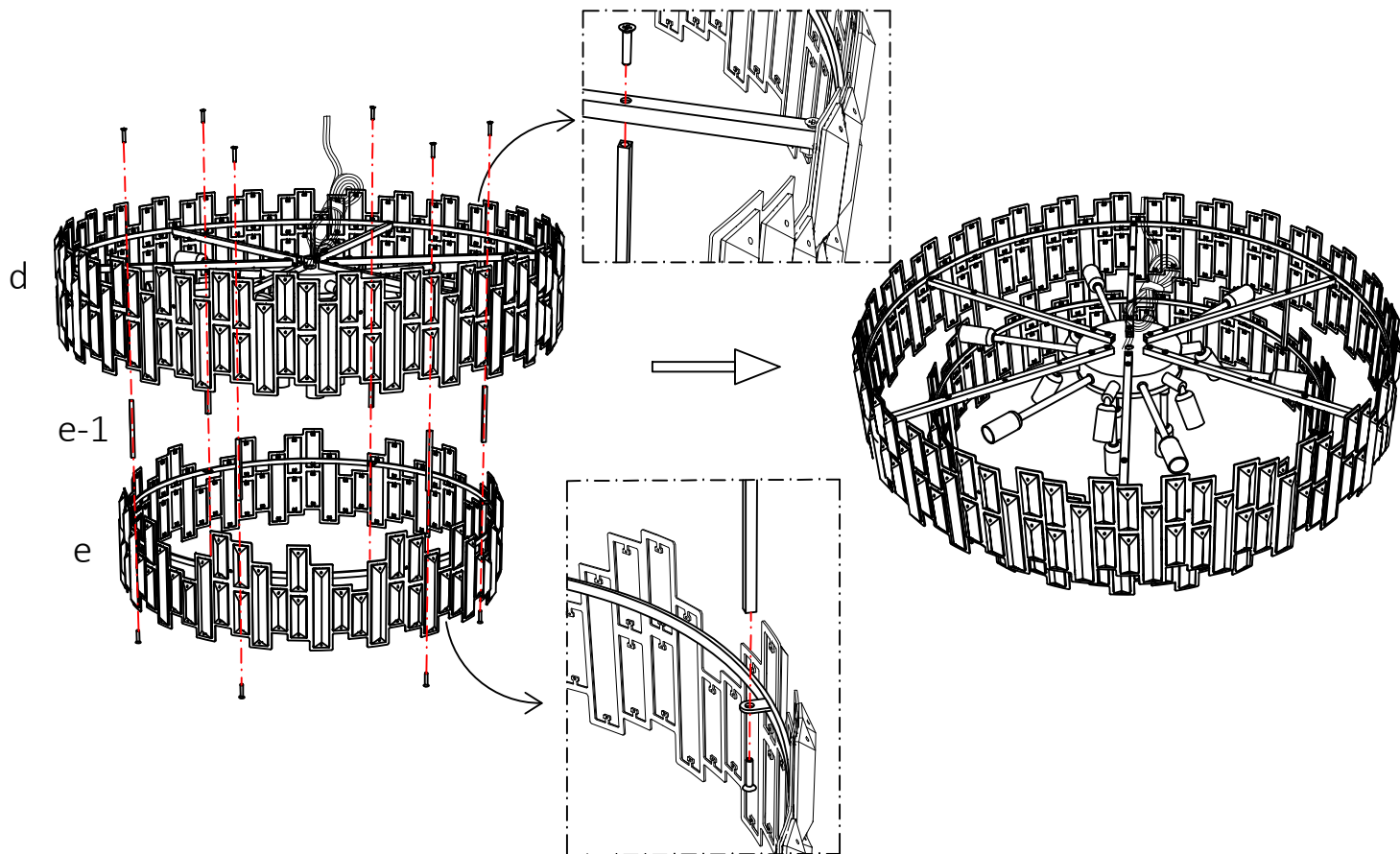
FIXTURE INSTALLATION

1. Assembly of lamp frame

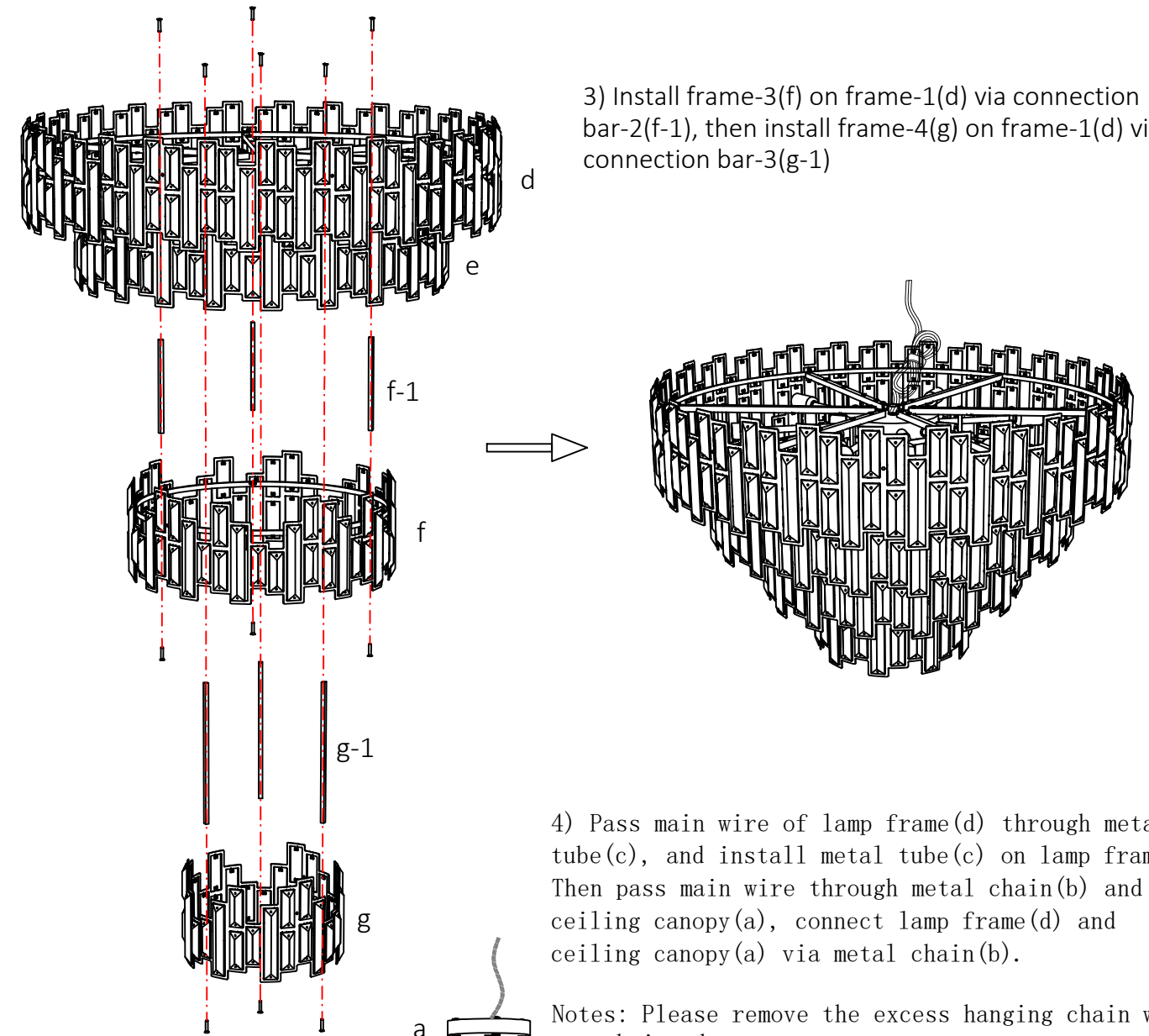
1) Adjust lamp holders on frame-1(d) as shown.



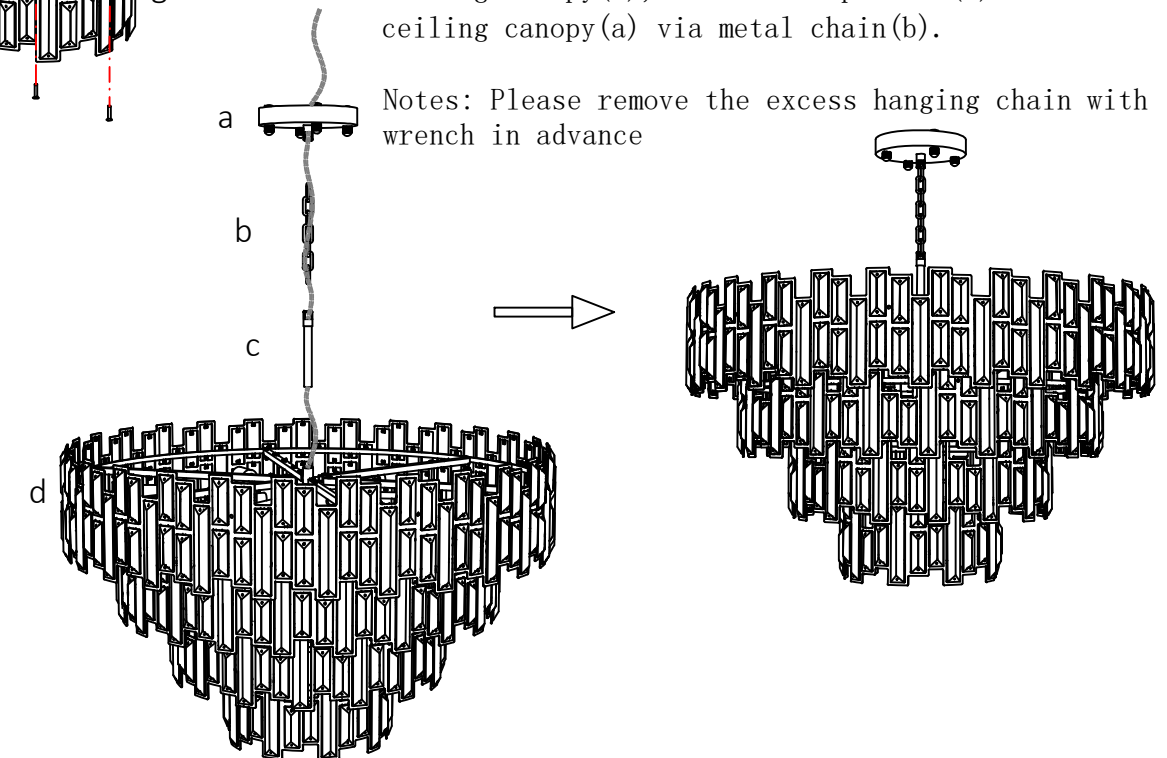
2) Install frame-2(e) on frame-1(d) via connection bar-1(e-1) with screws.



3) Install frame-3(f) on frame-1(d) via connection bar-2(f-1), then install frame-4(g) on frame-1(d) via connection bar-3(g-1)



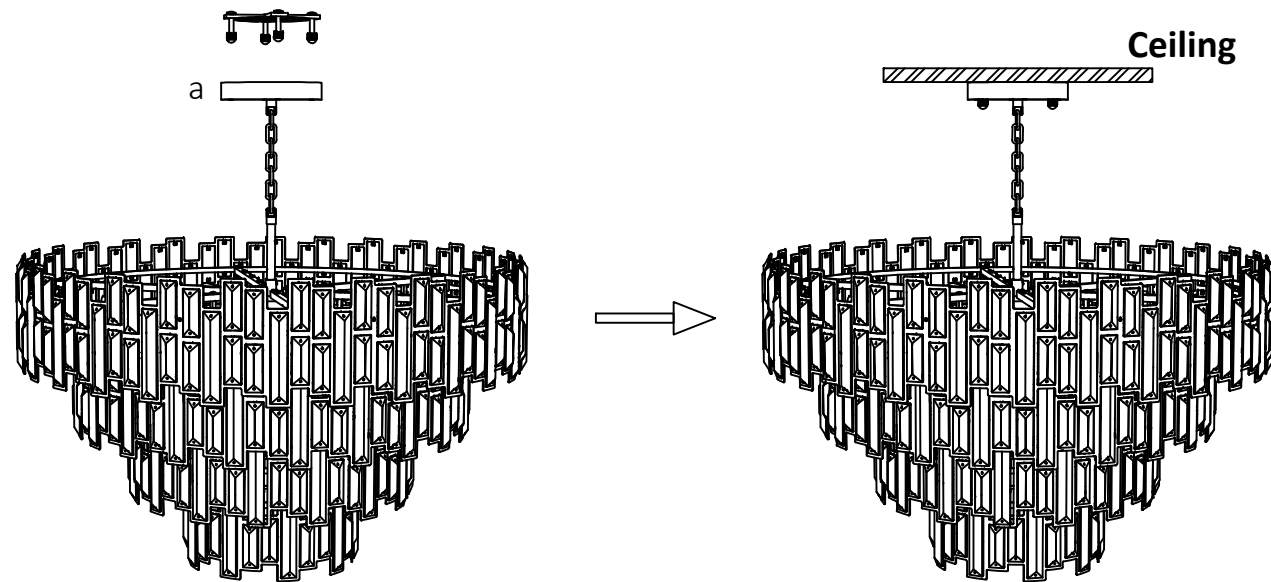
4) Pass main wire of lamp frame(d) through metal tube(c), and install metal tube(c) on lamp frame(d). Then pass main wire through metal chain(b) and ceiling canopy(a), connect lamp frame(d) and ceiling canopy(a) via metal chain(b).



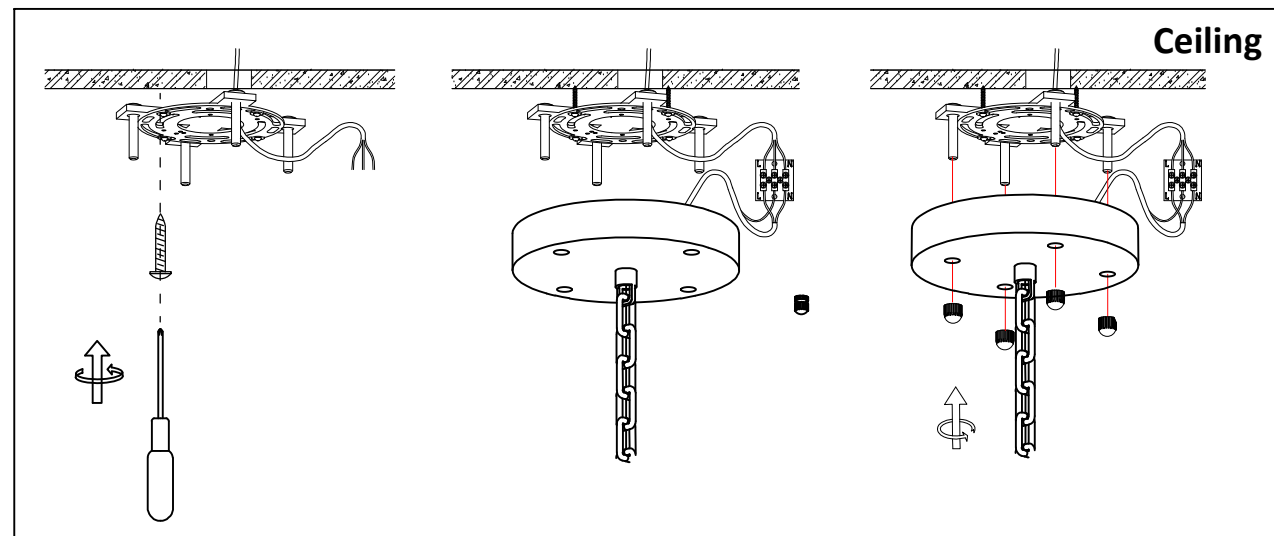
Notes: Please remove the excess hanging chain with wrench in advance

FIXTURE INSTALLATION

2.MOUNTING & WIRING (⚠️ Shut off main power at the circuit breaker or fuse panel before installation)



Take apart mounting bracket from ceiling canopy(a), Then follow the steps below to hang up the light and wire it



- ①. Install mounting bracket on ceiling with screws(Please ensure that the load-bearing capacity of the ceiling meets the requirements)
- ② Connection wires
(The two branch lines on the transparent main line are respectively designated as L line and N line, without strict distinction, and bare copper wire is used as the ground wire)
- ③ Cover the ceiling canopy on mounting bracket, then fix it with nuts.



Please kindly noted that: If any crystals on frame fall off or damaged, please use the spare crystals and accessories to replace by yourself.

We provide 24-hour customer service, and any questions you have will be answered within 24 hours, if you have any questions or problems, please feel free to contact us, your order ID and details are needed so that our customer service will help you more quickly and accurately!
Have a nice day!