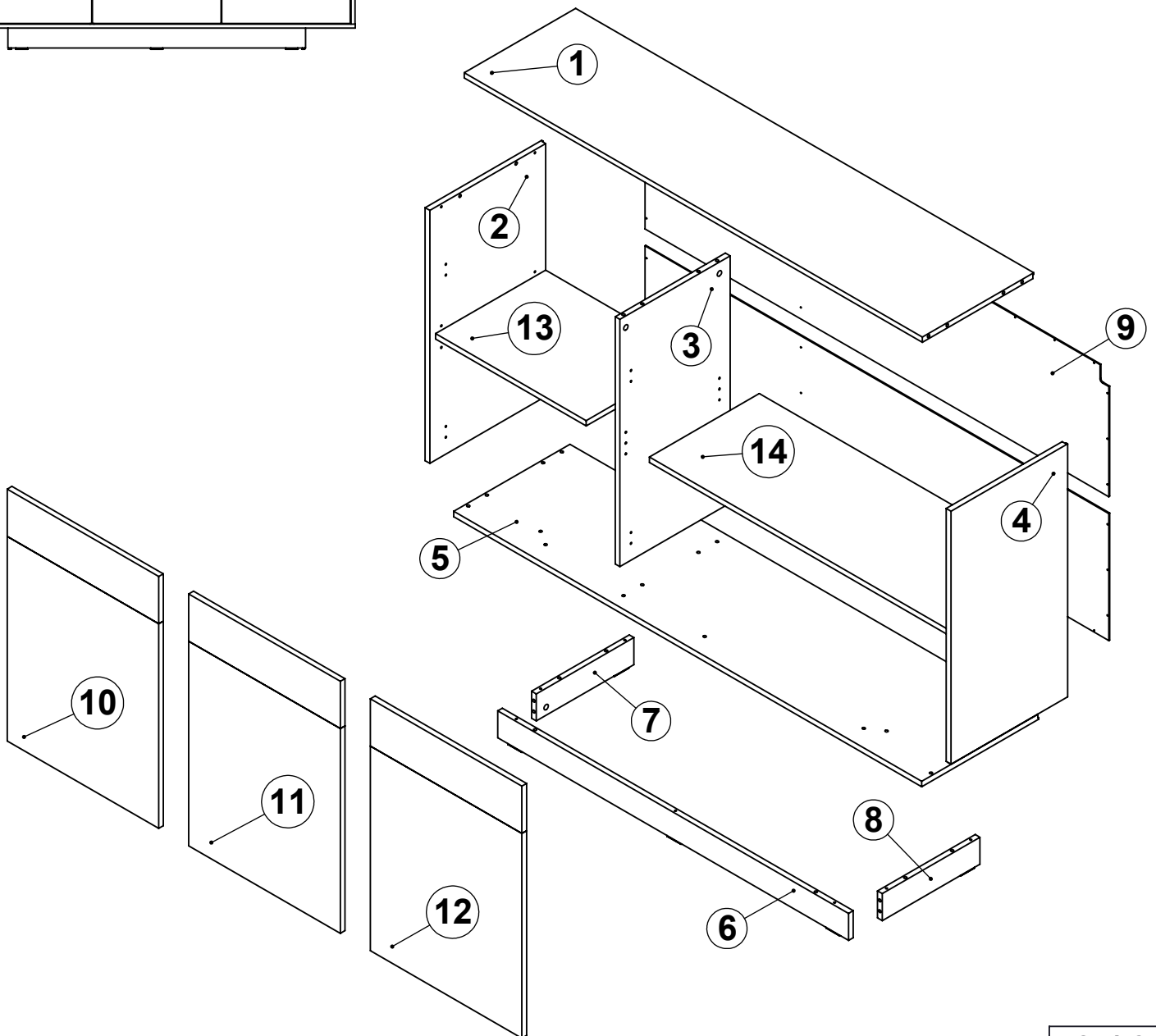
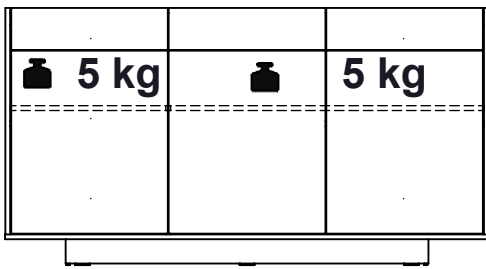
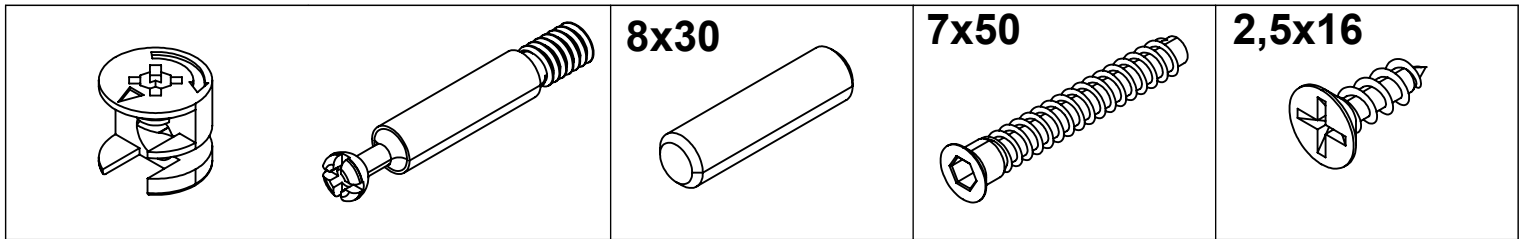


SIDEBOARD

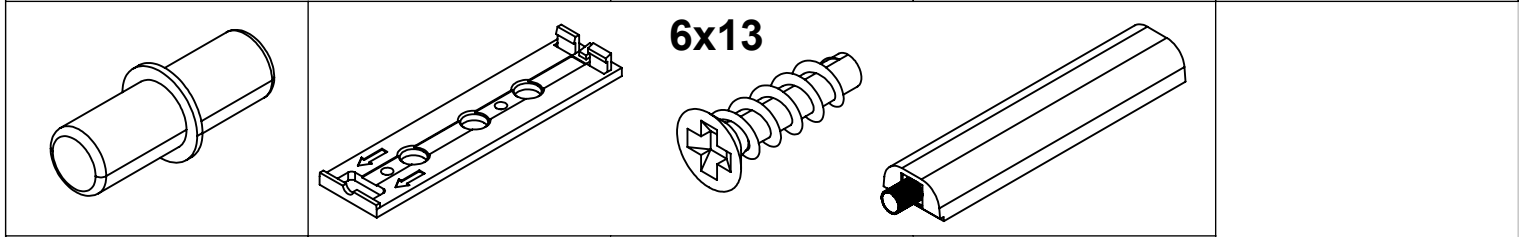
06-05-2024

 **15 kg**

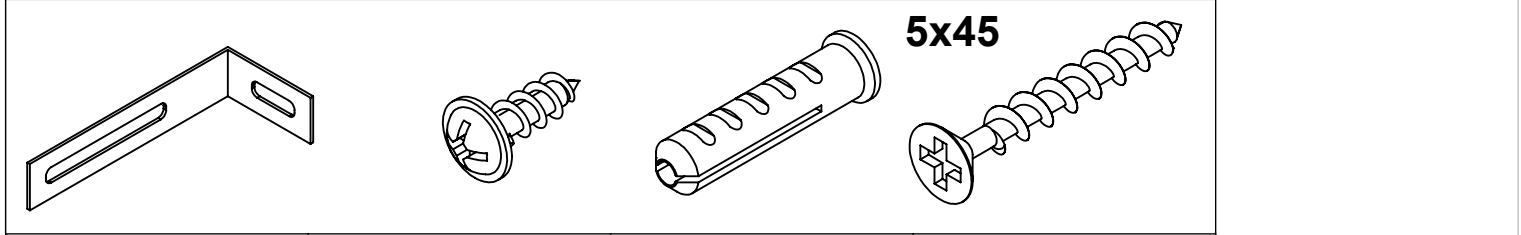




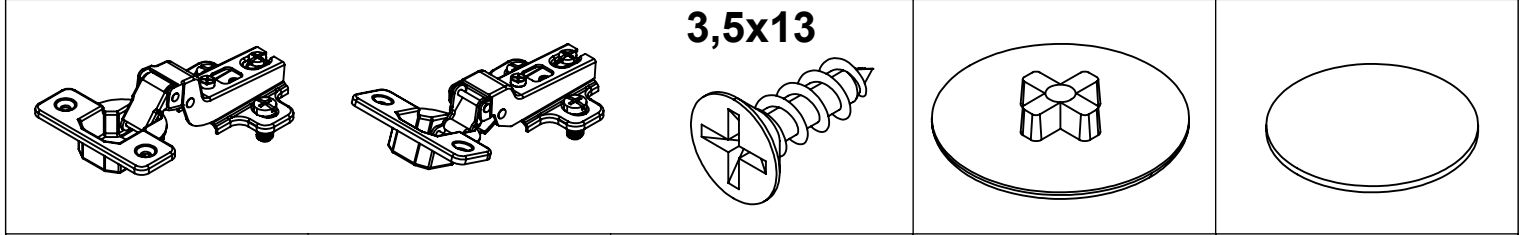
A x 8	B x 8	C x 20	D x 13	E x 42
--------------	--------------	---------------	---------------	---------------



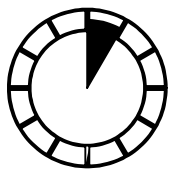
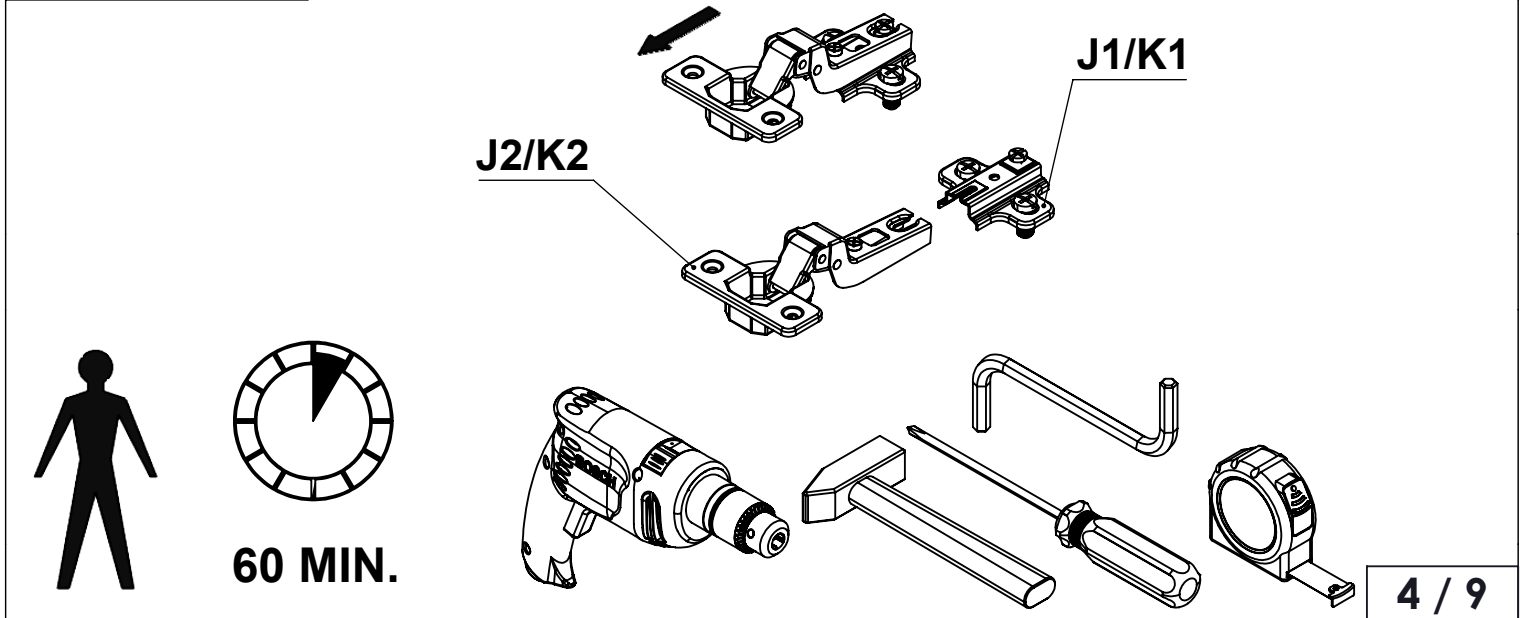
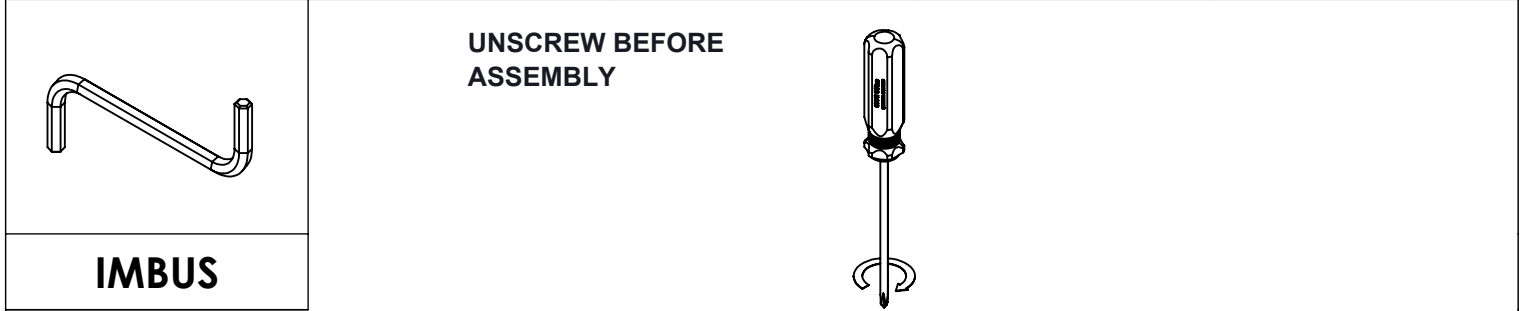
F x 8	H1 x 3	H2 x 6	H3 x 3
--------------	---------------	---------------	---------------



I1 x 2	I2 x 2	I3 x 2	I4 x 2
---------------	---------------	---------------	---------------



J x 4	K x 2	L x 12	M x 6	N x 7
--------------	--------------	---------------	--------------	--------------

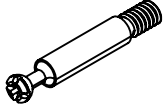


60 MIN.

STEP - 1

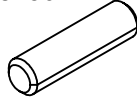


Ax8

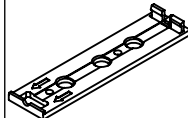


Bx8

8x30

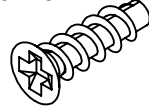


Cx20

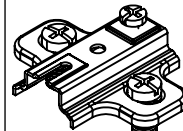


H1x3

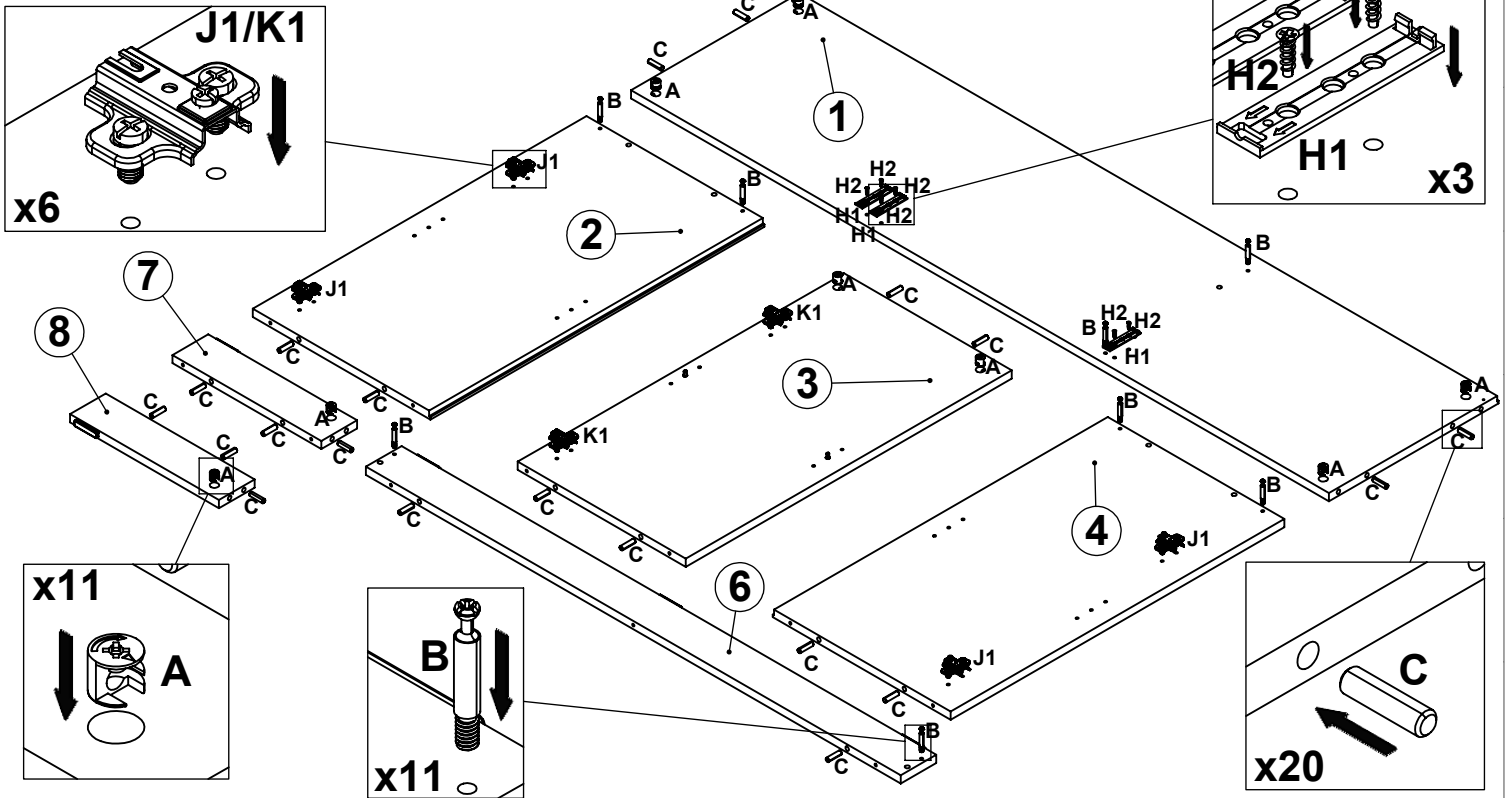
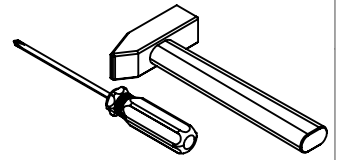
6x13



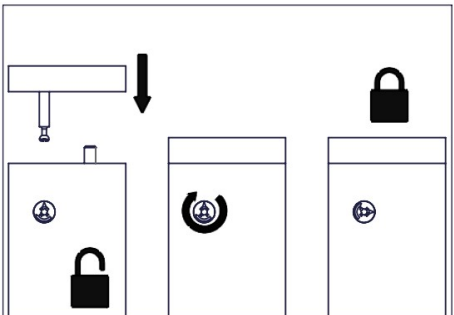
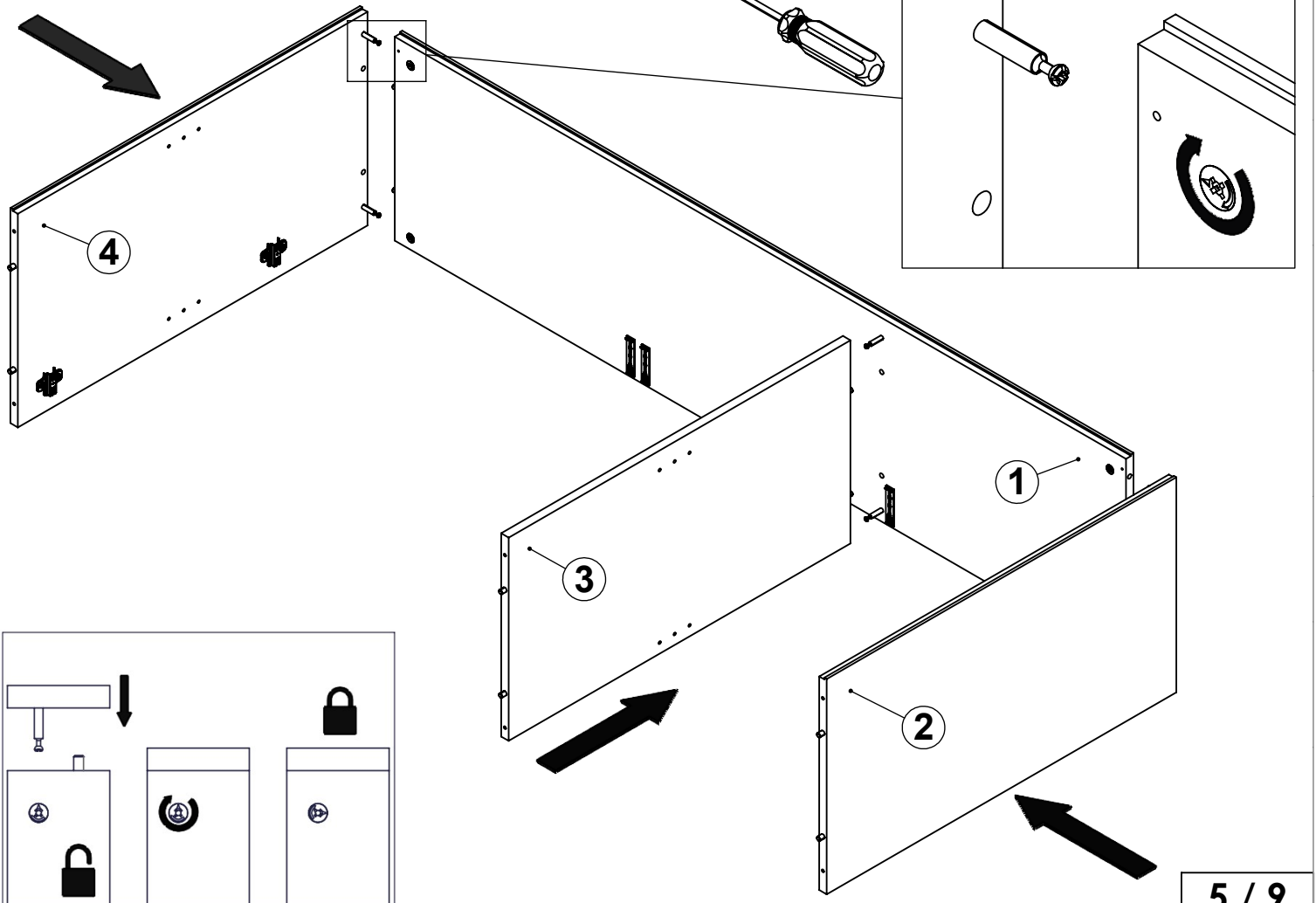
H2x6



J1/K1x6

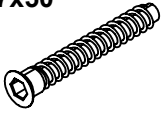


STEP - 2

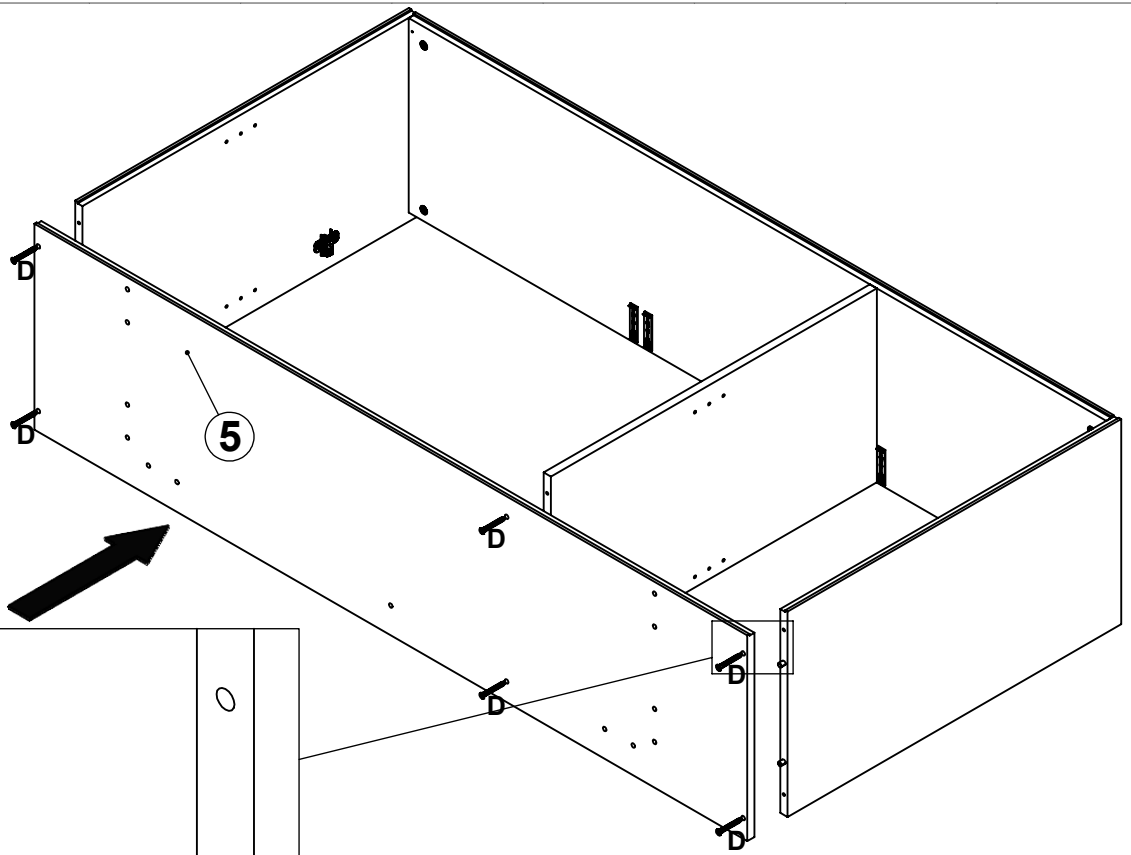
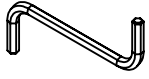


STEP - 3

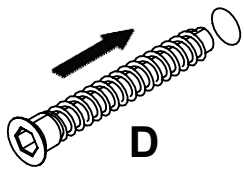
7x50



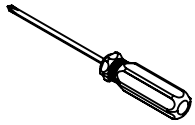
Dx6



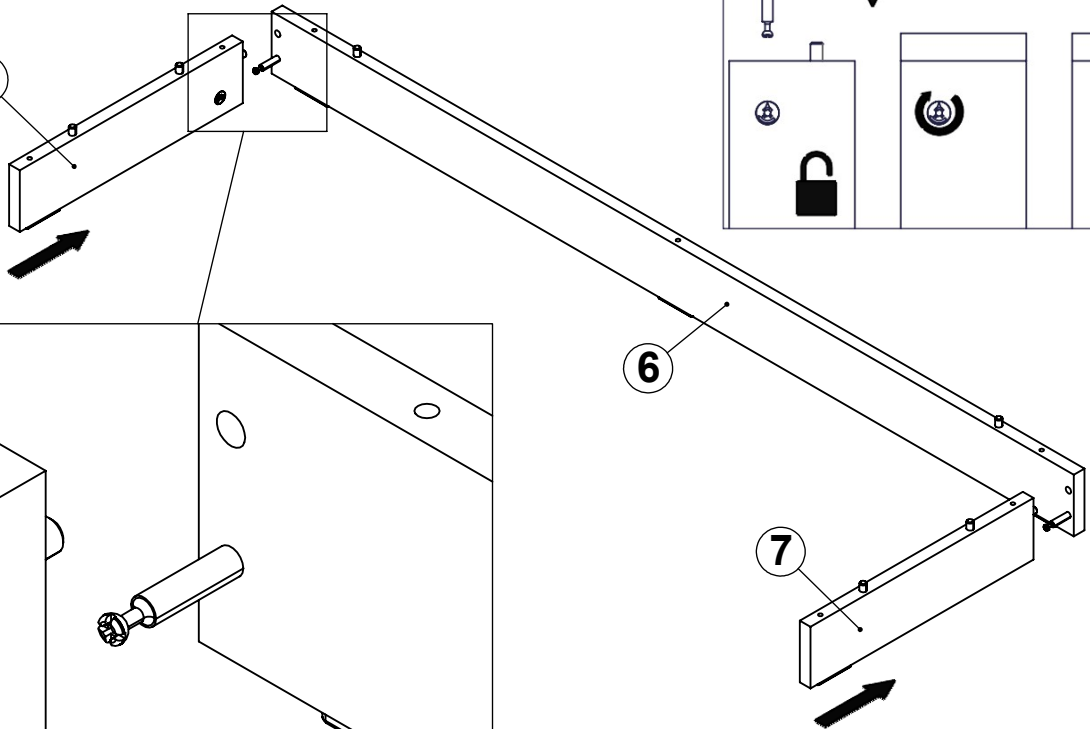
x9



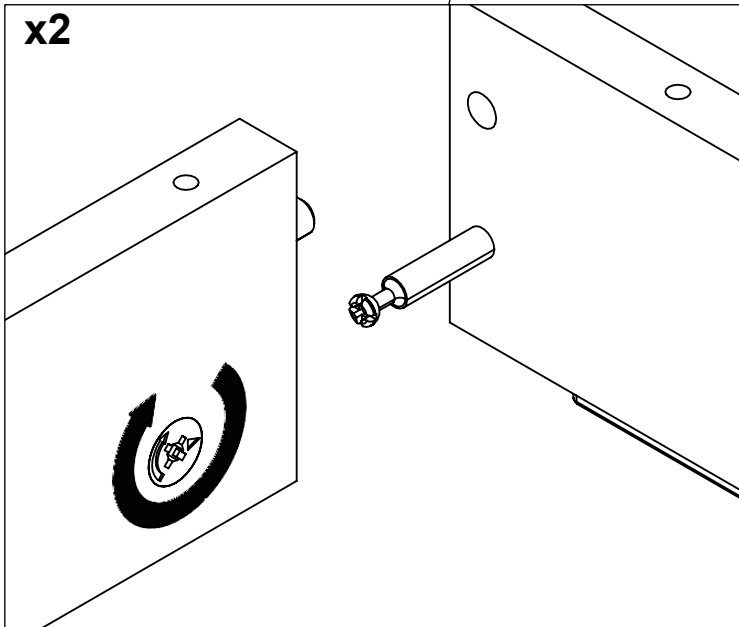
STEP - 4



8

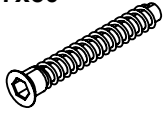


x2

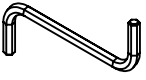


STEP - 5

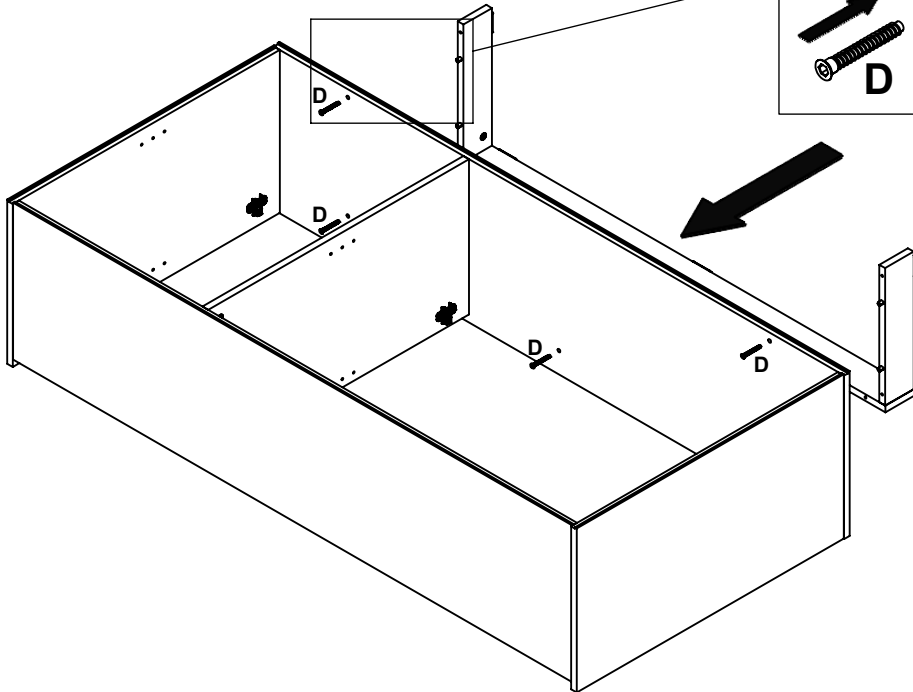
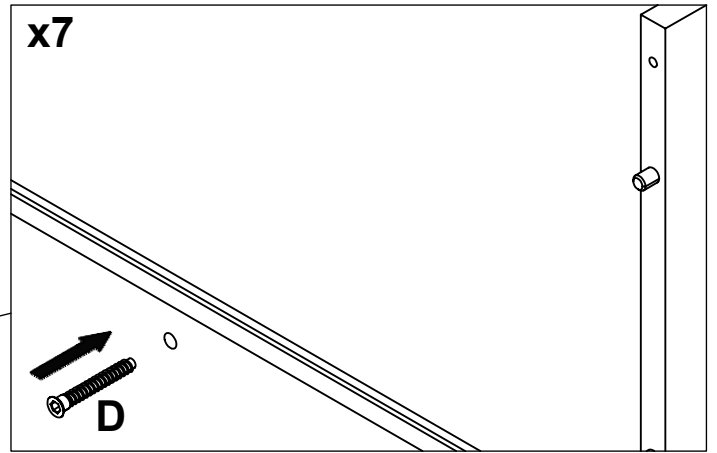
7x50



Dx7

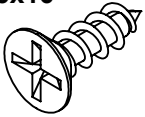


x7



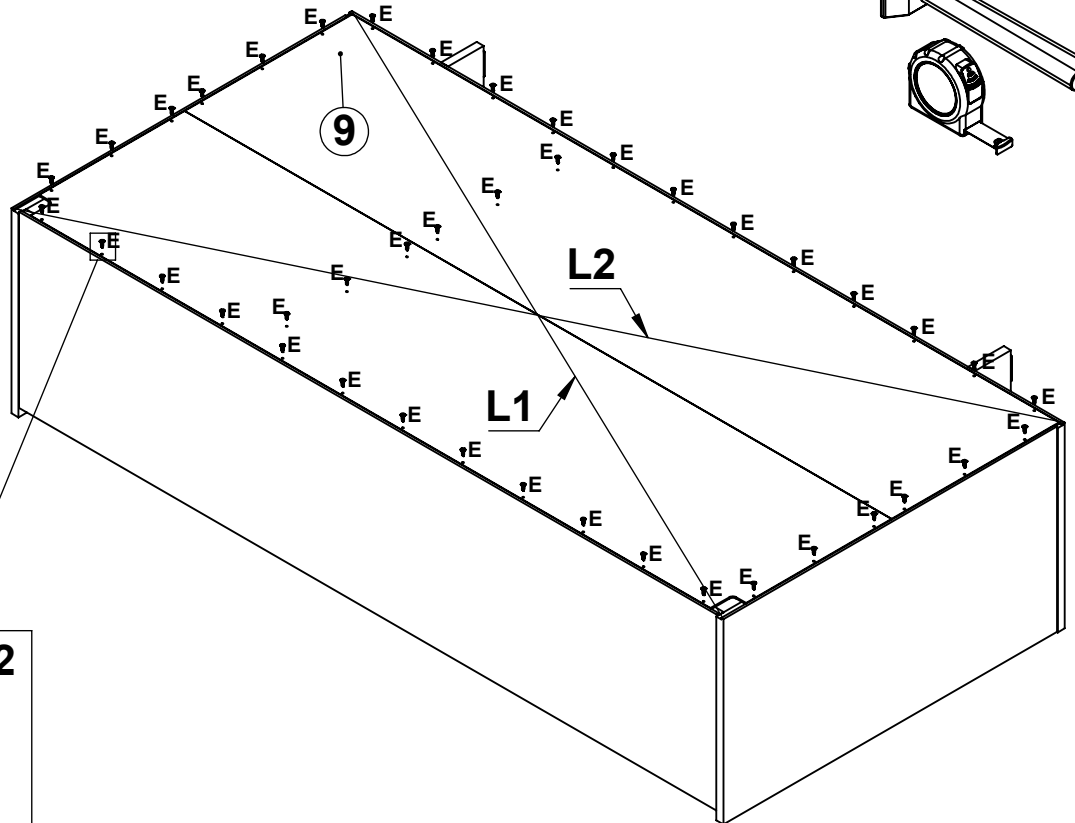
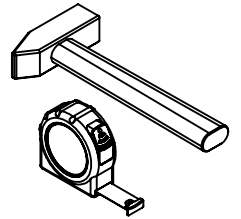
STEP - 6

2,5x16

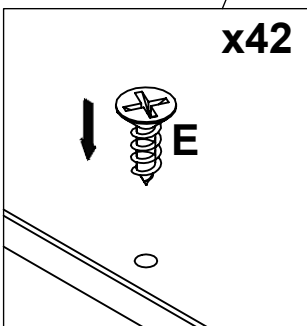


Ex42

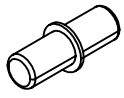
L1=L2



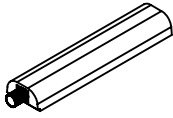
x42



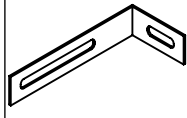
STEP - 7



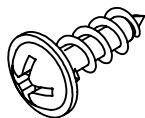
Fx8



H3x3



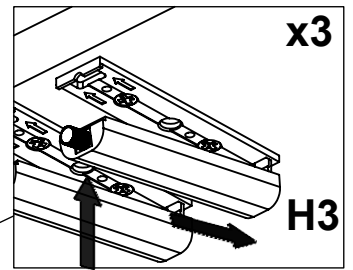
I1x2



I2x2

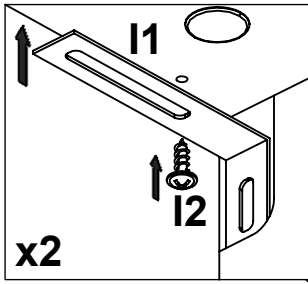


Mx6

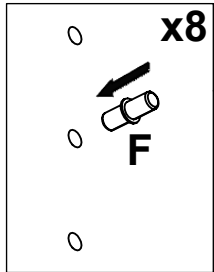


x3

H3

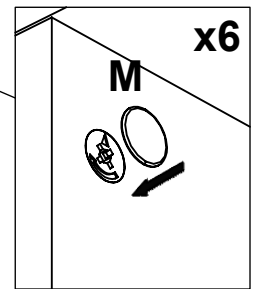
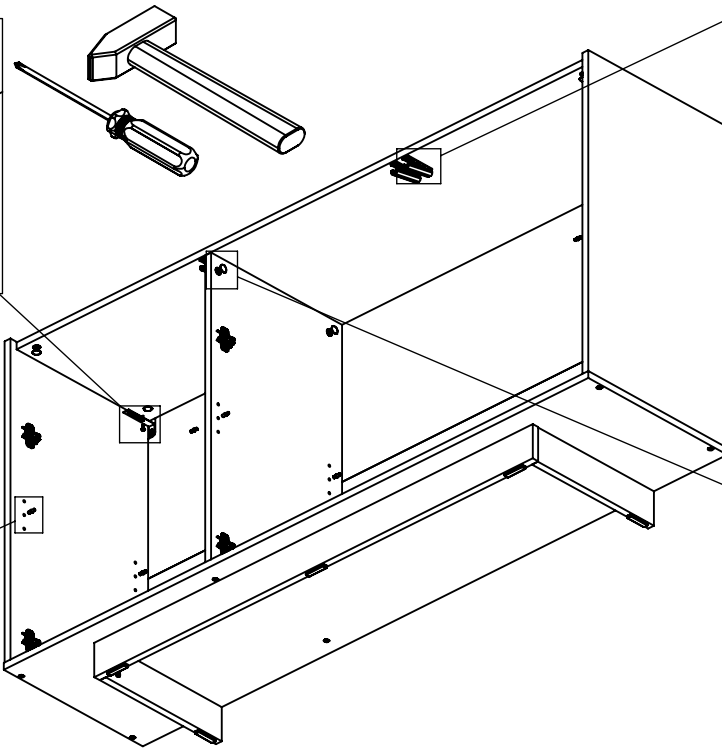


x2



x8

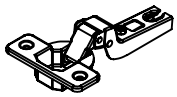
F



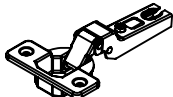
x6

M

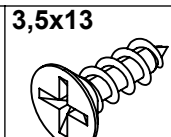
STEP - 8



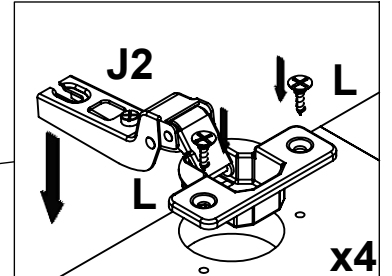
J2x4



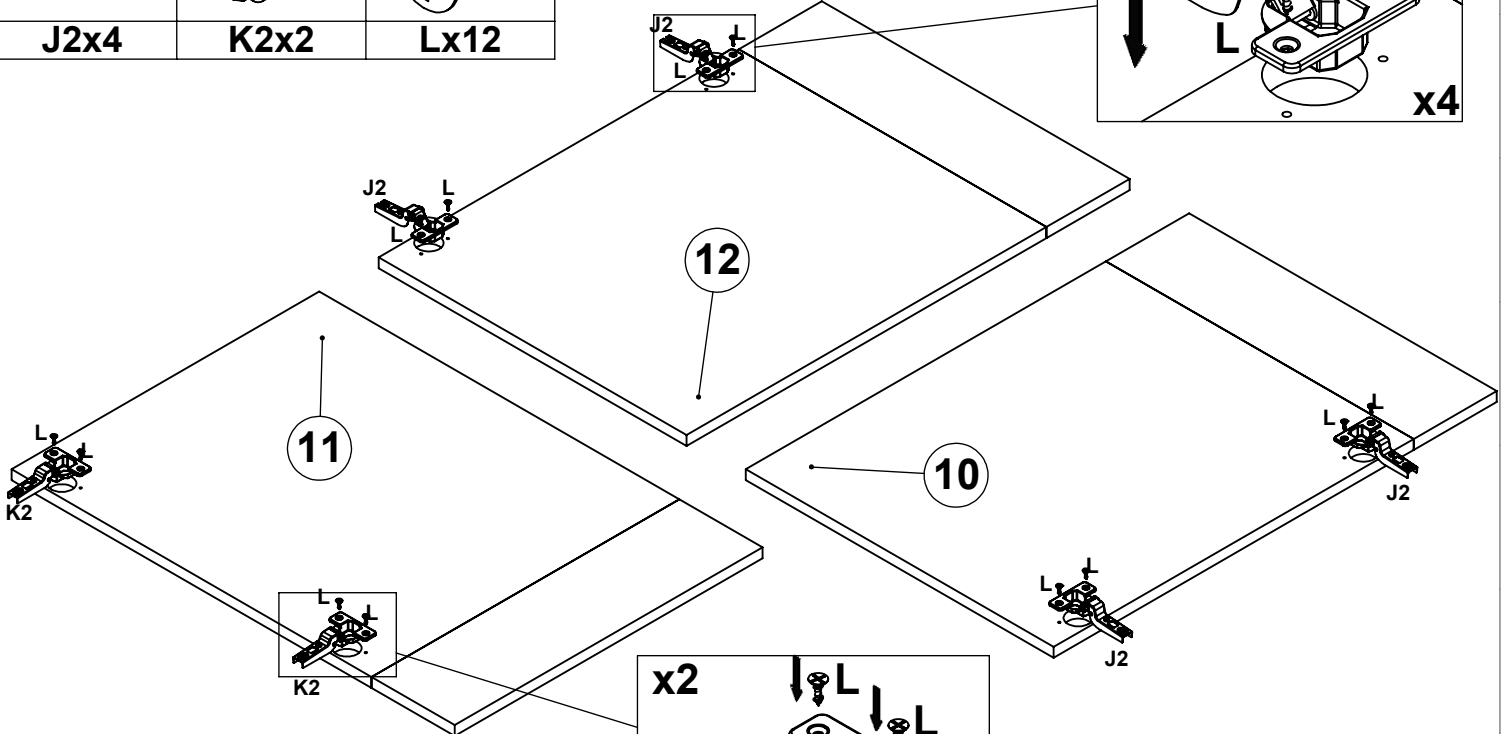
K2x2



Lx12



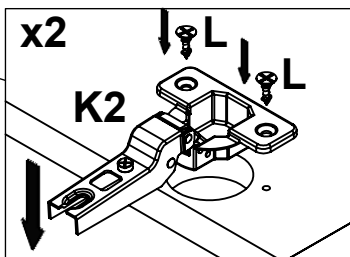
x4



12

11

10



x2

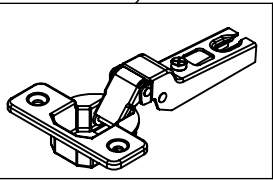
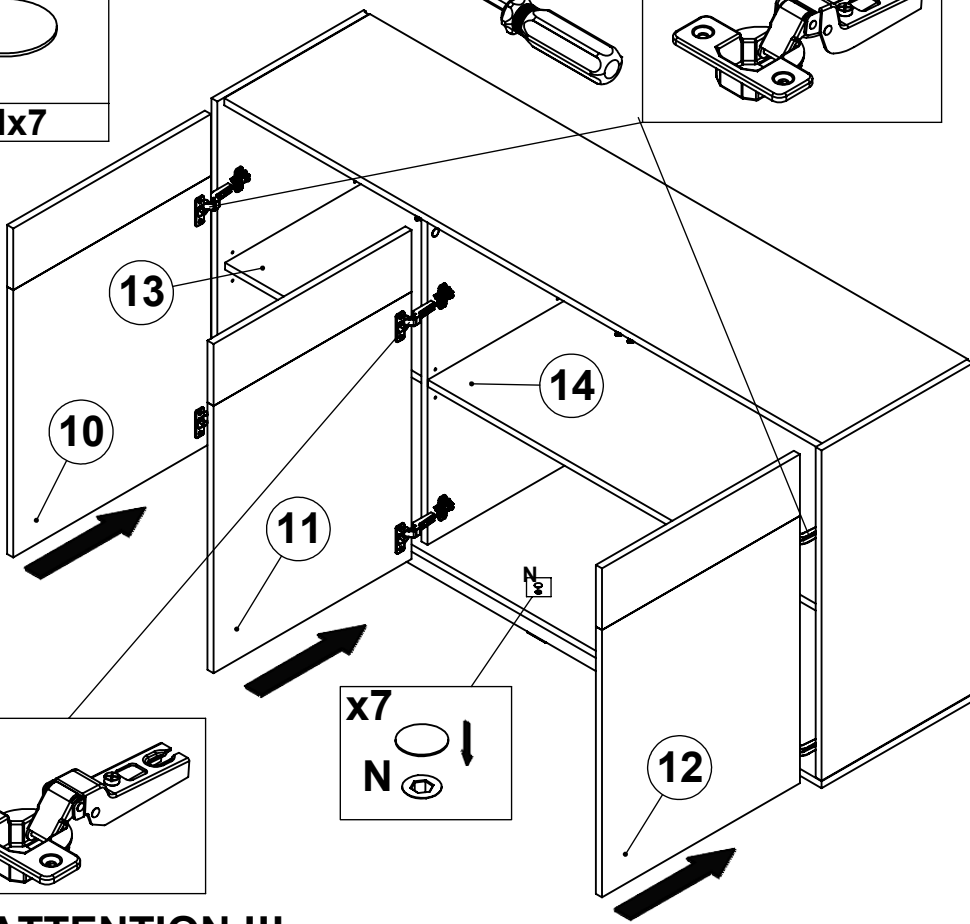
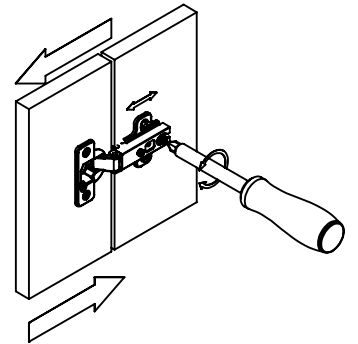
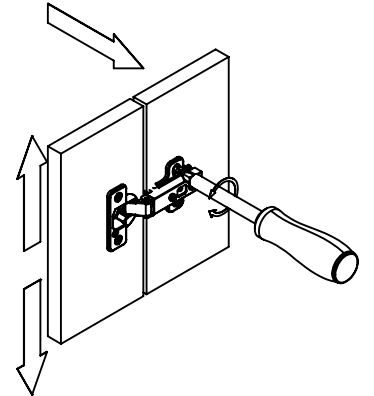
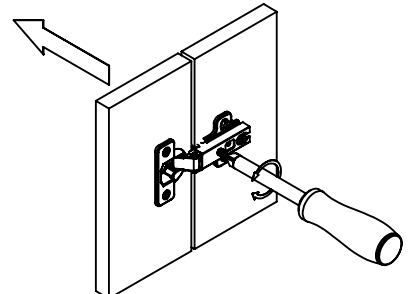
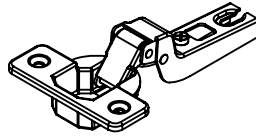
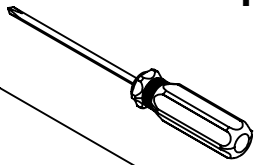
K2

STEP - 9

!!! ATTENTION !!!



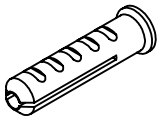
Nx7



x7
N

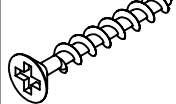
!!! ATTENTION !!!

STEP - 10

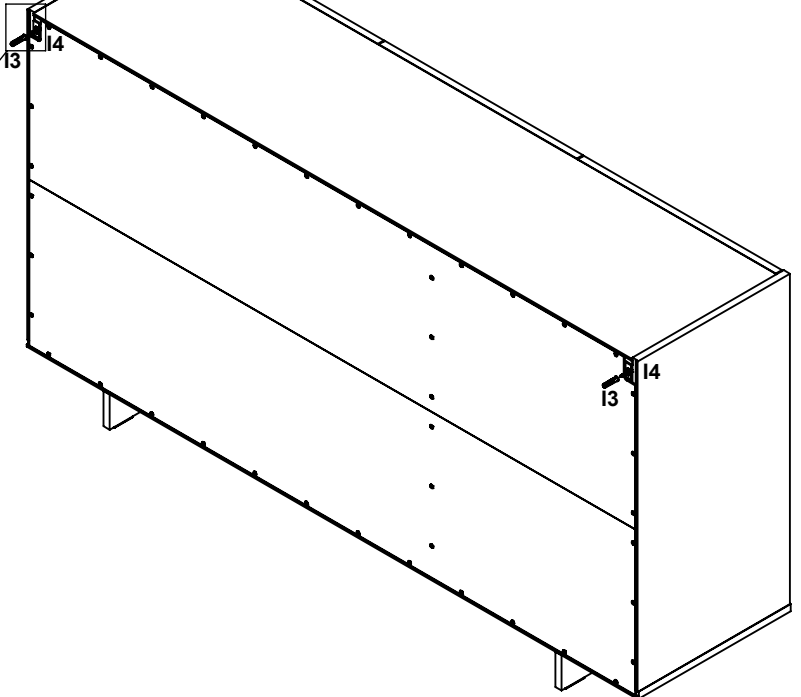
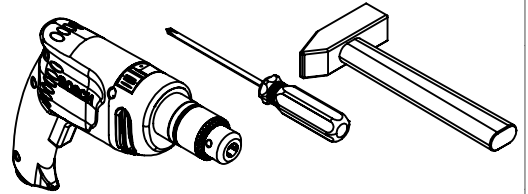


13x2

5x45



14x2



x2

