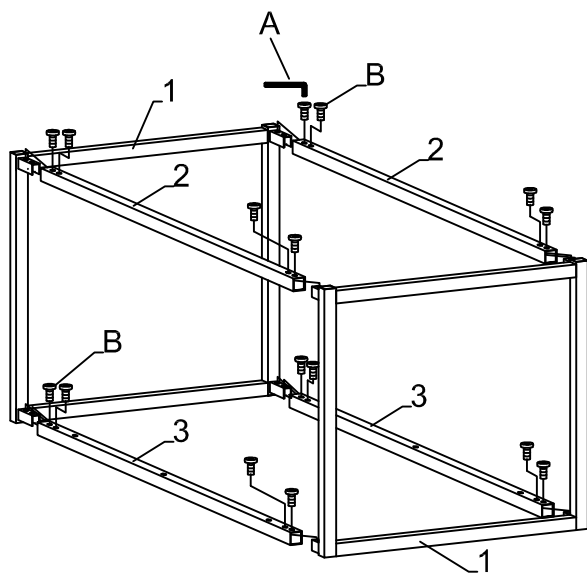
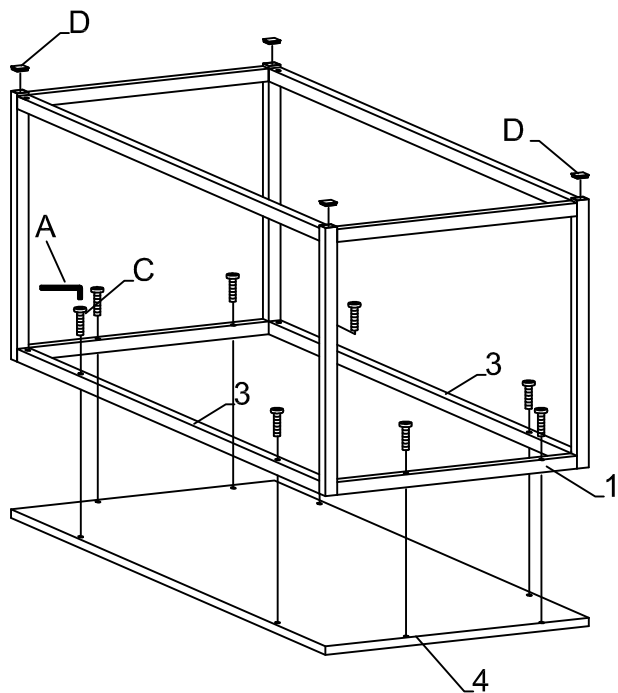


**** Do not tighten any bolts until all of them have been started !**

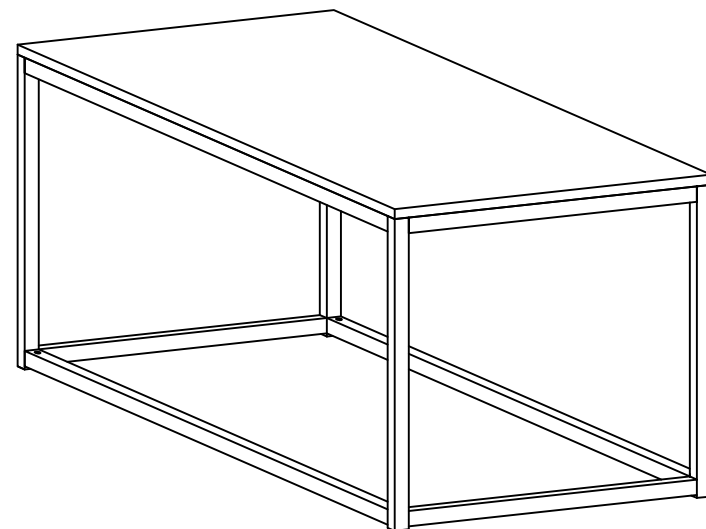
Step 1.



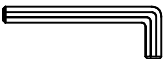

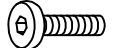

Step 2.



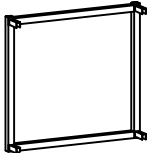
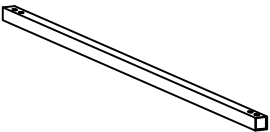
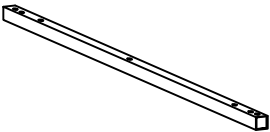
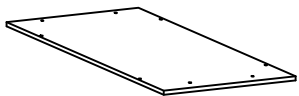
Step 3.



ACCESSORY PACK

<p>A</p>  <p>4mm</p> <p>1PC</p>	<p>B</p>  <p>1/4" X 13 mm</p> <p>16PCS</p>	<p>C</p>  <p>1/4" X 35 mm</p> <p>8PCS</p>	<p>D</p>  <p>4PCS</p>
--	---	--	--

COMPLETE HARDWARE

<p>1</p>  <p>2PCS</p>	<p>2</p>  <p>2PCS</p>	<p>3</p>  <p>2PCS</p>	<p>4</p>  <p>1PC</p>
--	--	--	---