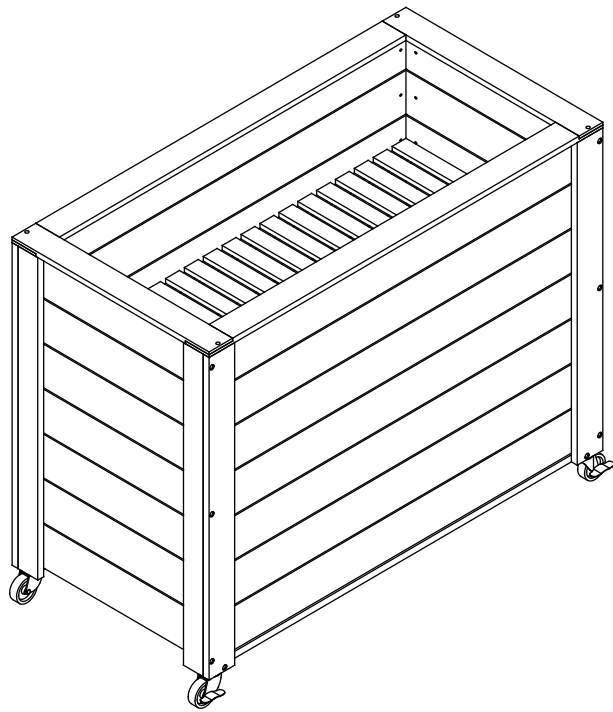
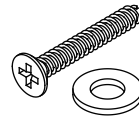
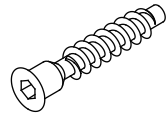


ASSEMBLY INSTRUCTION



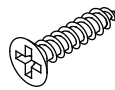
Ax20 +2(spare)

Bx60 +2(spare)



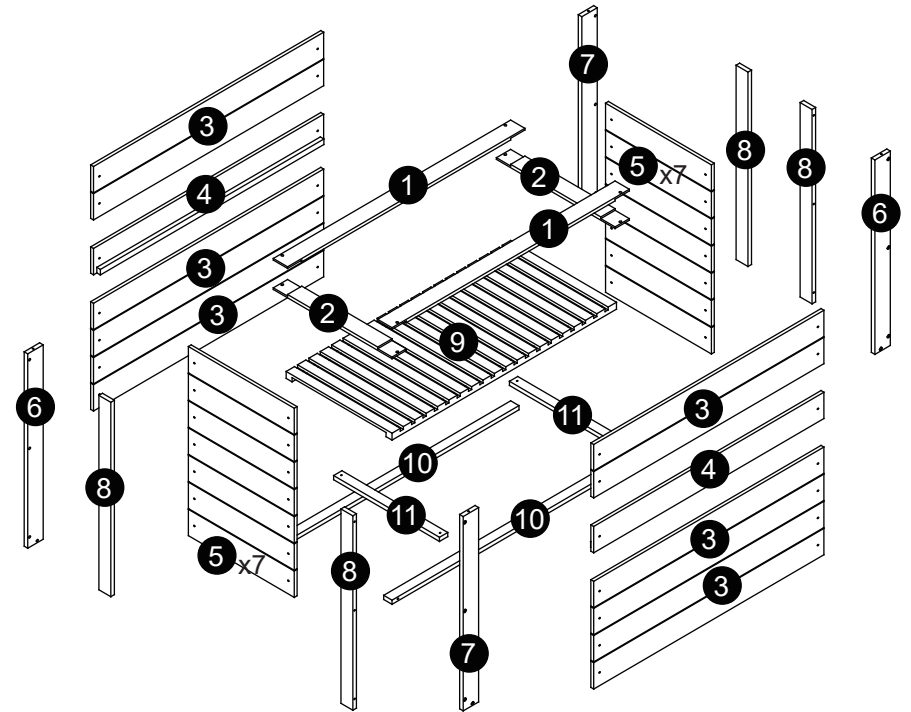
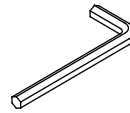
Cx16 +2(spare)

Dx2

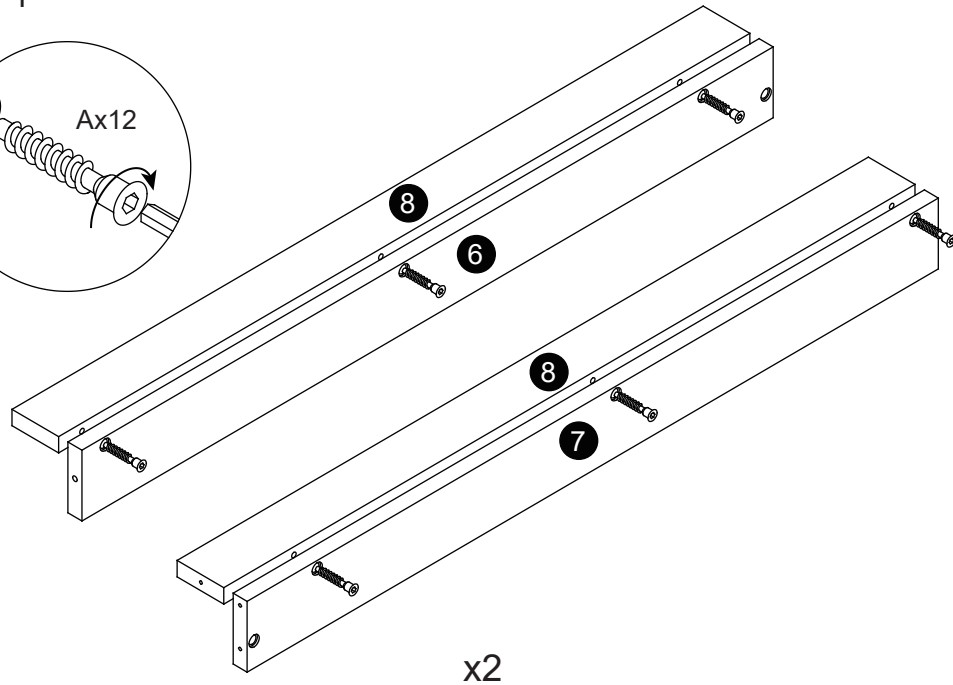
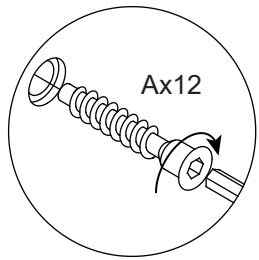


Ex2

Fx1

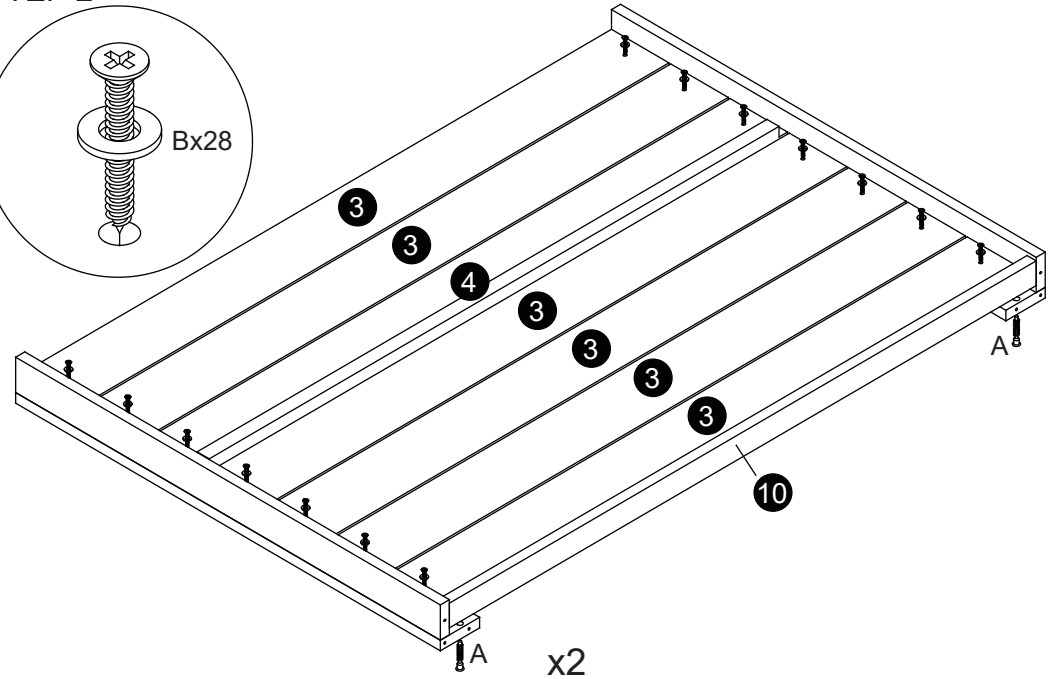
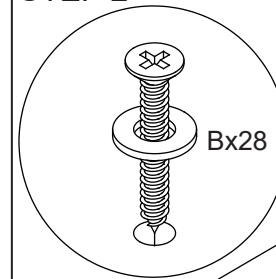


STEP 1



x2

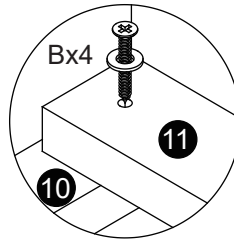
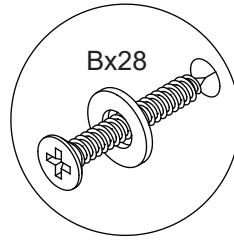
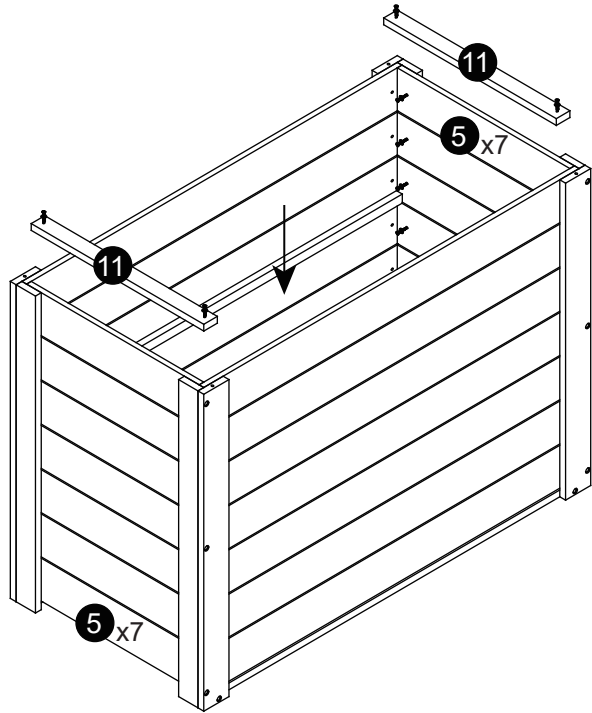
STEP 2



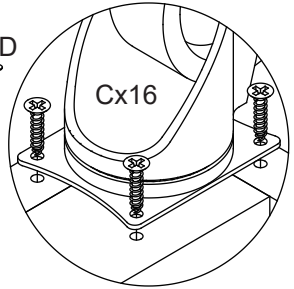
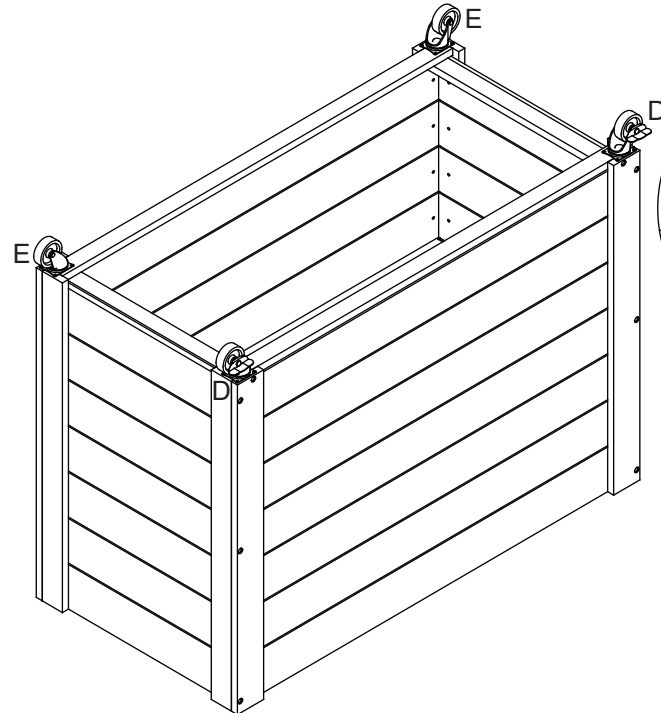
x2

ASSEMBLY INSTRUCTION

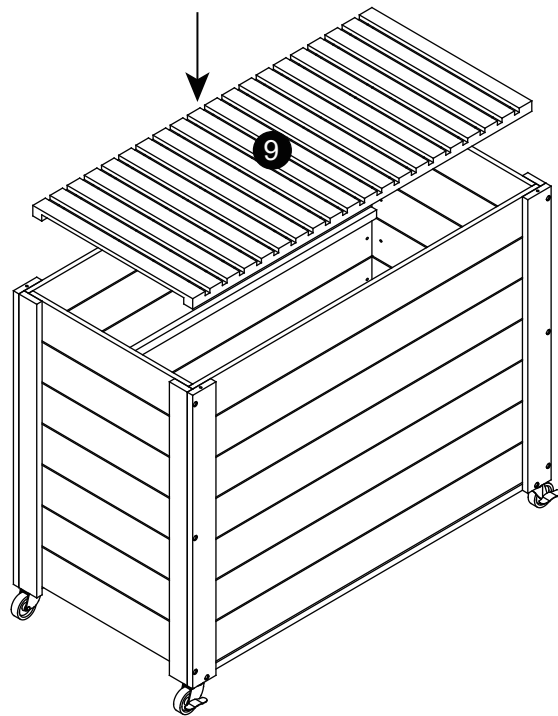
STEP 3



STEP 4



STEP 5



STEP 6

