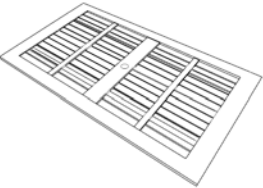


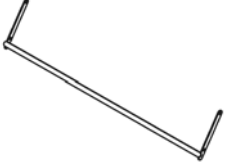


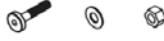



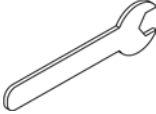
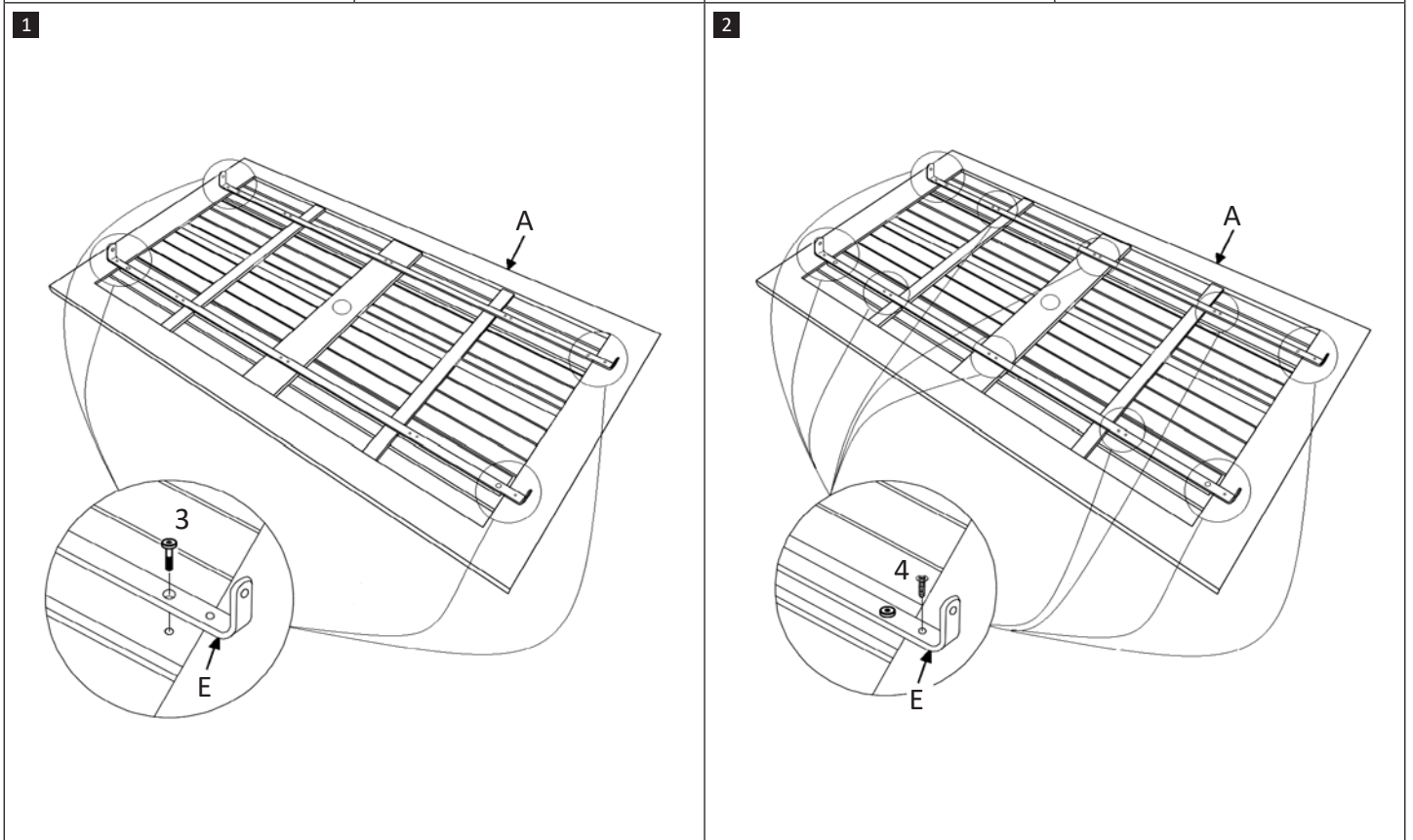
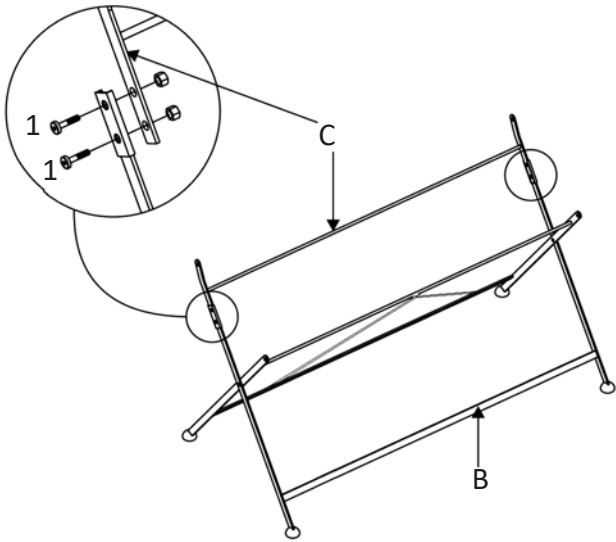


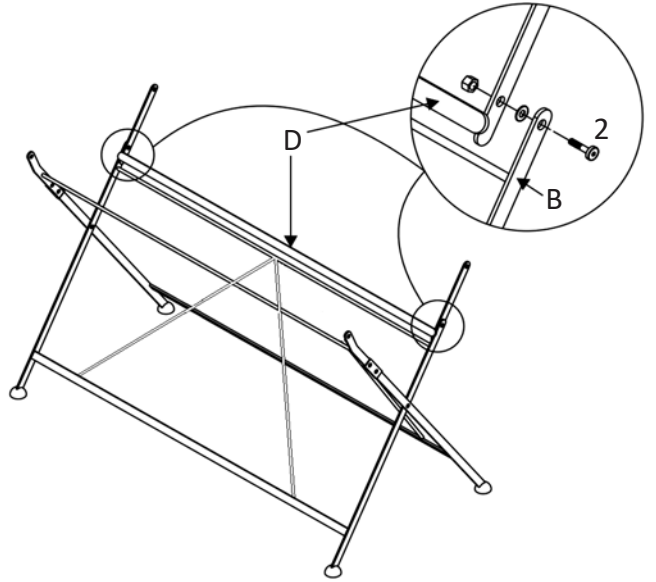
<p>A 1pc</p> 	<p>B 1pc</p> 	<p>C 1pc</p> 	<p>D 1pc</p> 
<p>E 2pcs</p> 	<p>1 4pcs</p>  <p>M8x $\frac{20}{0.8}$</p>	<p>2 6pcs</p>  <p>M8x $\frac{20}{0.8}$ W8x $\frac{2}{0.1}$</p>	<p>3 4pcs</p>  <p>M6x $\frac{15}{0.6}$</p>
<p>4 16pcs</p>  <p>M4x $\frac{15}{0.6}$</p>	<p>5 1pc</p> 	<p>6 1pc</p> 	<p>mm inch</p>



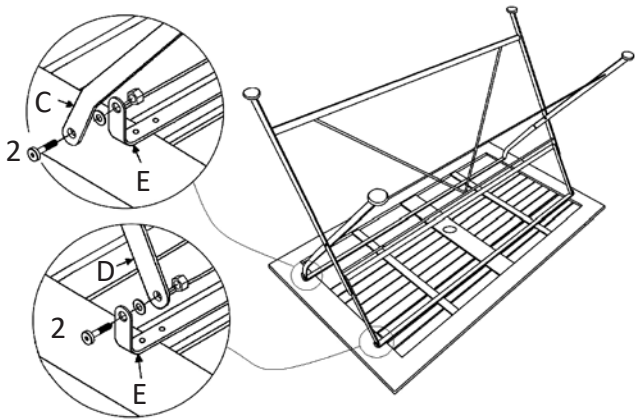
3



4



5



6

