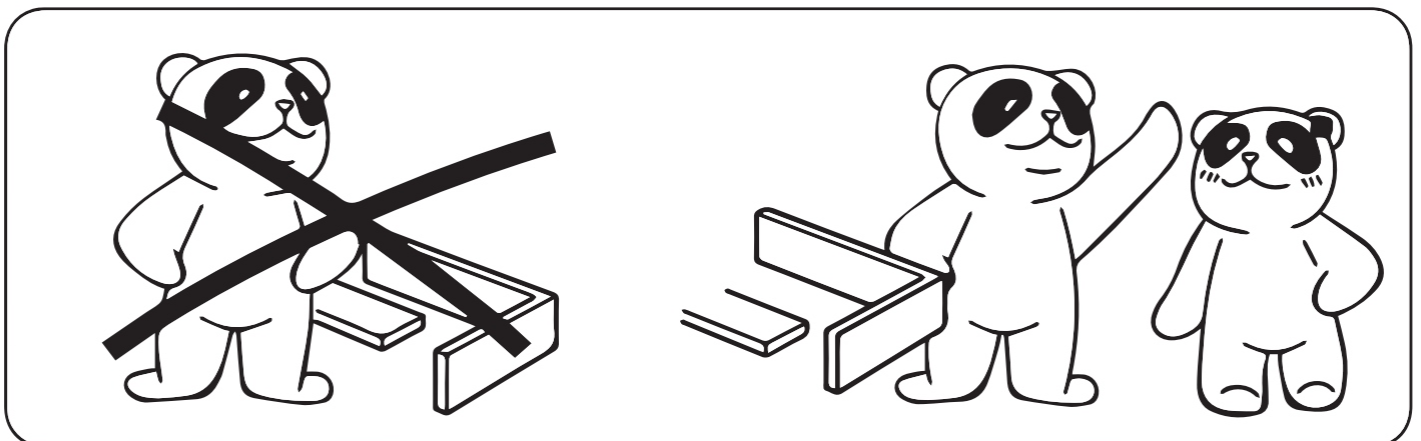
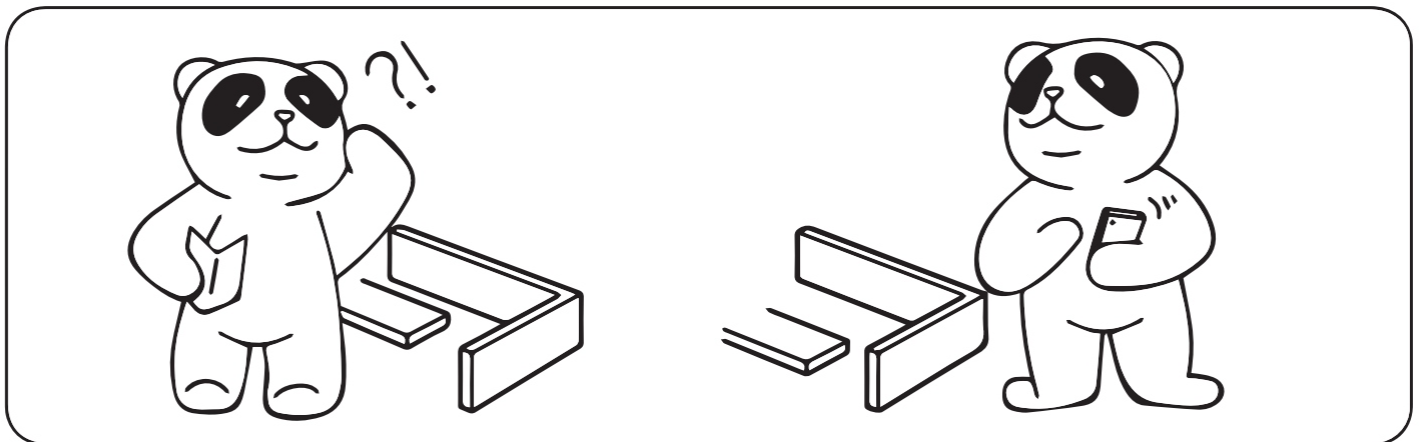
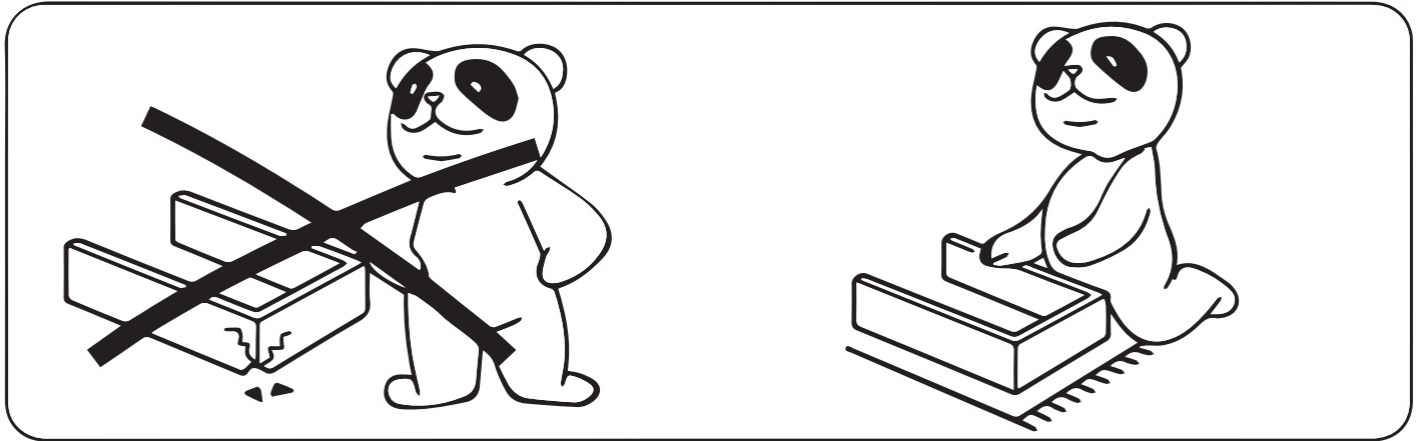
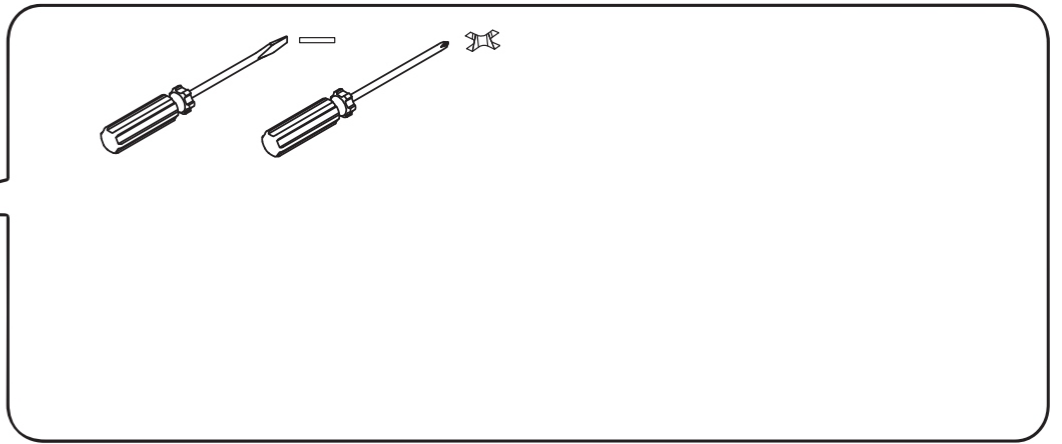
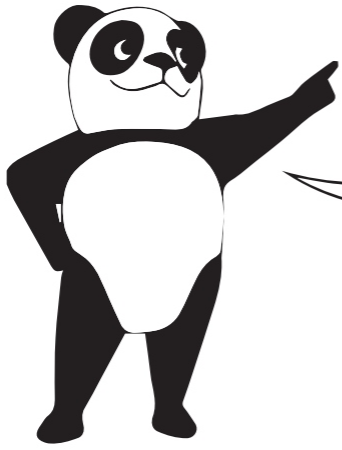
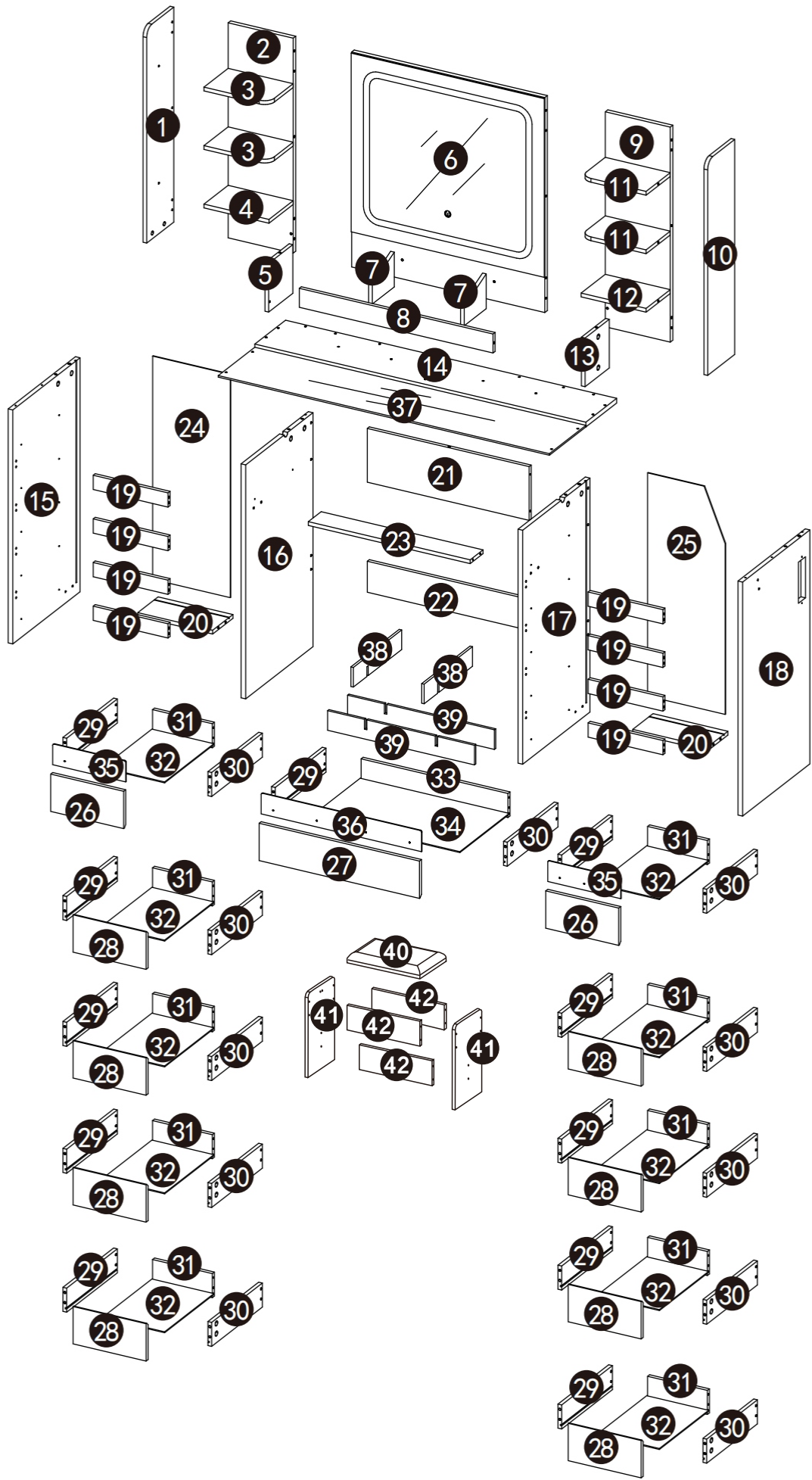

Instruction Manual

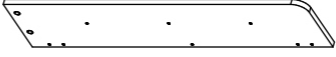
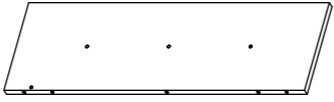
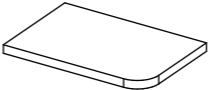
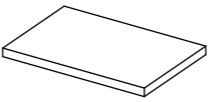
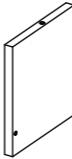
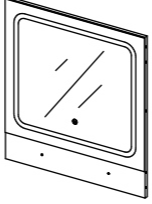
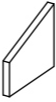
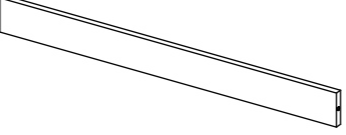
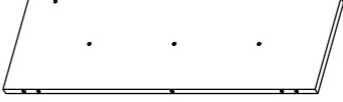
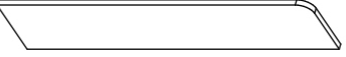
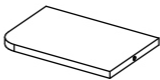
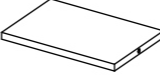
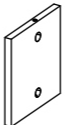
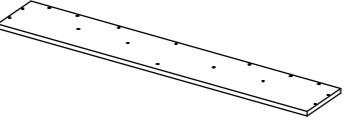
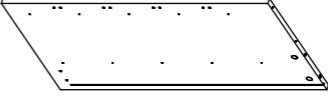
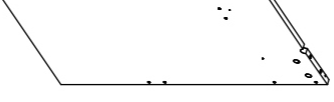
Thanks a lot your support and purchasing.

Please feel free to contact us if you have any questions with assembly or need replacement parts.

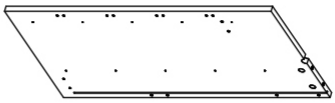
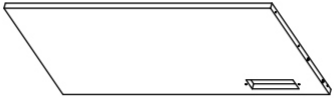


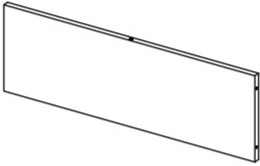
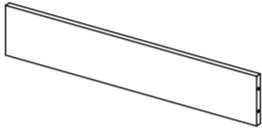
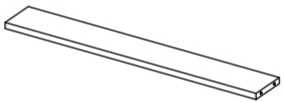


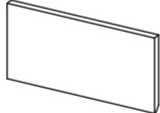
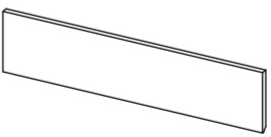

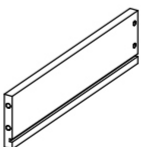
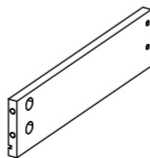
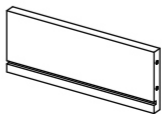
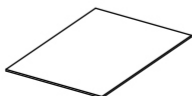




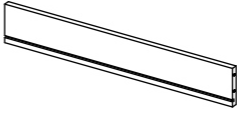
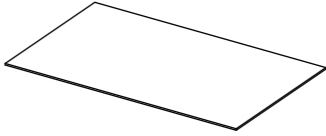
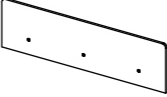
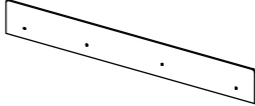
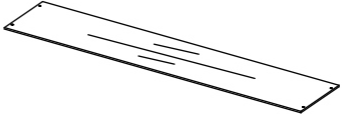
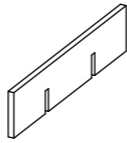
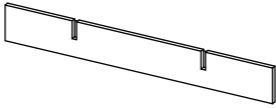
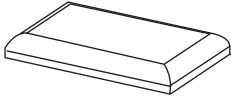

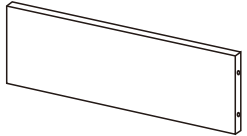
PARTS LIST

Item no.	Reference Image	Qty.	Item no.	Reference Image	Qty.
1		x1	2		x1
3		x2	4		x1
5		x1	6		x1
7		x2	8		x1
9		x1	10		x1
11		x2	12		x1
13		x1	14		x1
15		x1	16		x1



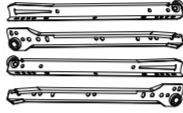
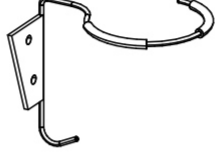

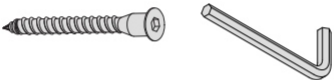




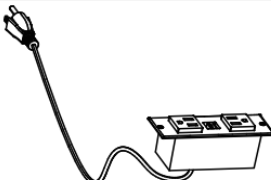
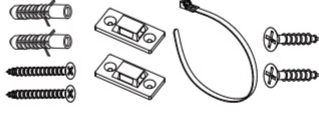
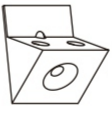
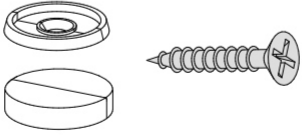




PARTS LIST

Item no.	Reference Image	Qty.	Item no.	Reference Image	Qty.
17		x1	18		x1
19		x8	20		x2
21		x1	22		x1
23		x1	24		x1
25		x1	26		x2
27		x1	28		x8
29		x11	30		x11
31		x10	32		x10

PARTS LIST

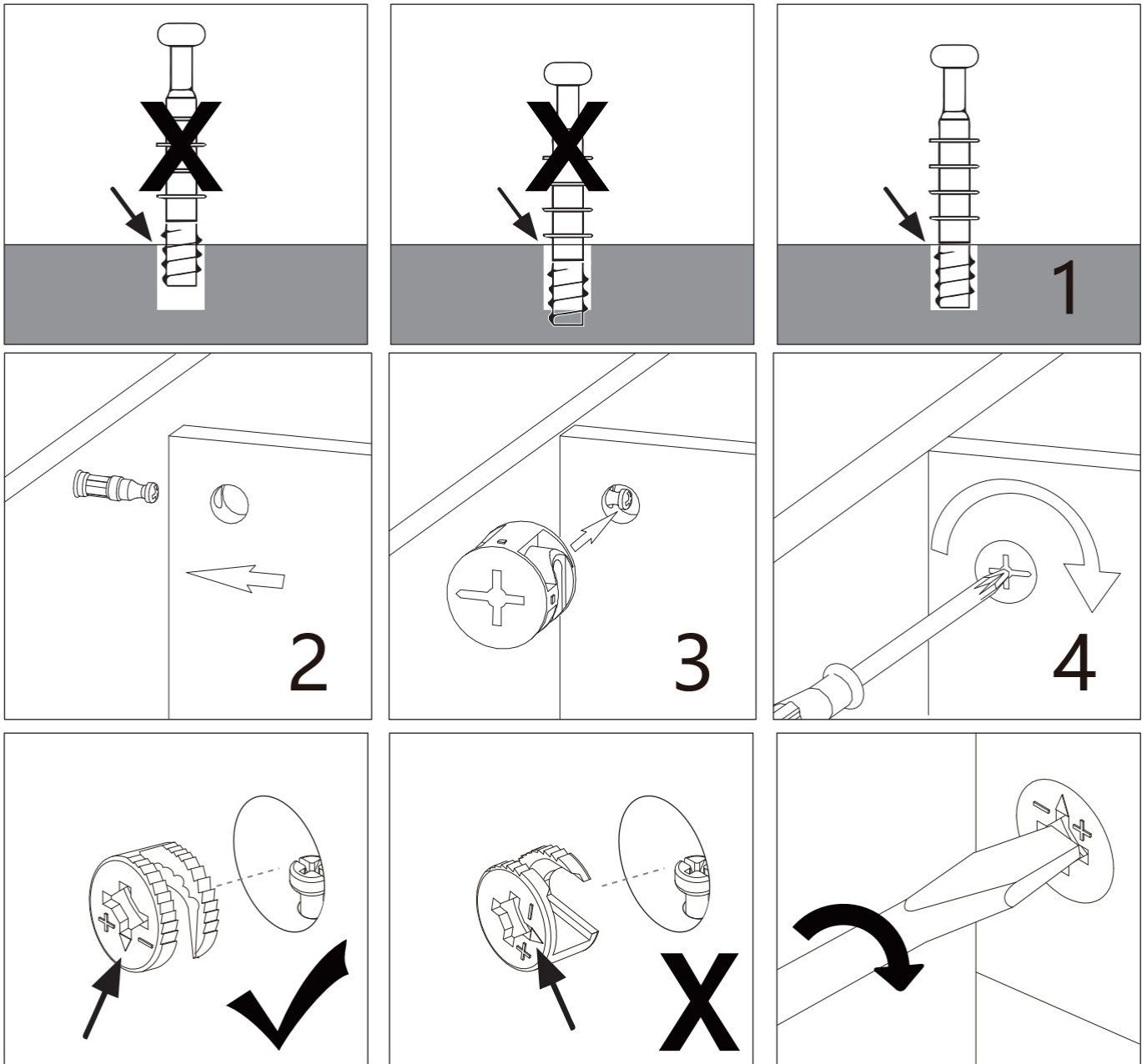
Item no.	Reference Image	Qty.	Item no.	Reference Image	Qty.
33		x1	34		x1
35		x2	36		x1
37		x1	38		x2
39		x2	40		x1
41		x2	42		x3

HARDWARE LIST

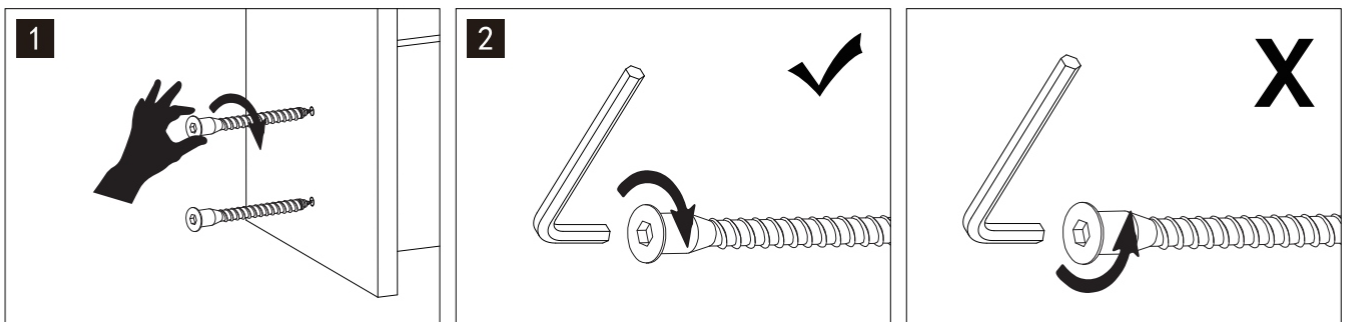
Item no.	Reference Image	Qty.	Item no.	Reference Image	Qty.
A	 6x35	x113	B	 12x9	x113
C	C=CI+CR+DL+DR  12inches	x11	D		x1
E	 M3x12	x110	F	 M5x40/#3	x78/x1
G	 φ12x5	x12	H		x1
I		x2	L		x10
M		x1	N		x2
O		x8	P		x4
Q		x26	R		x4
S		x1	U	 M4x12	x10

Hardware installation indication

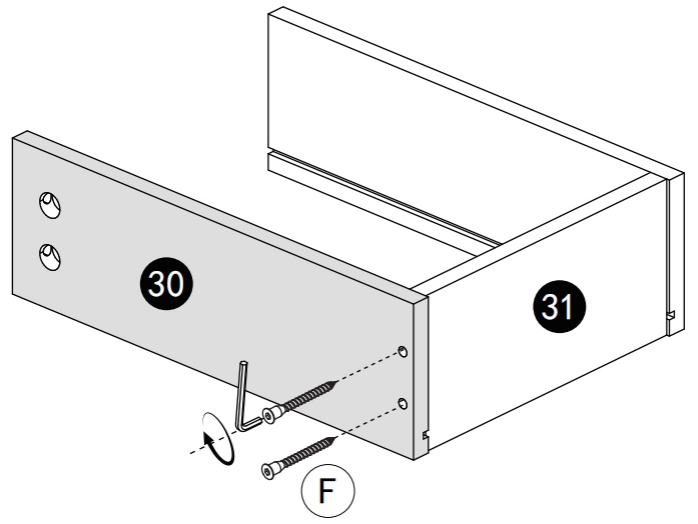
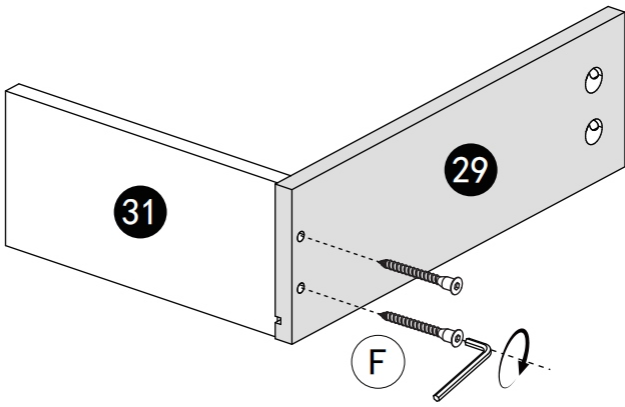
Installation method of three in one rod and buckle



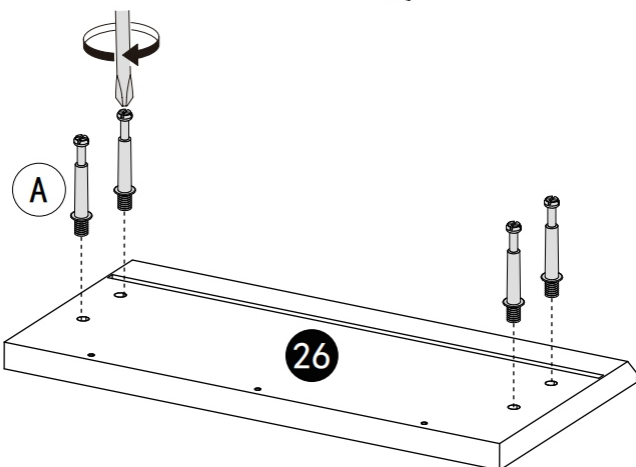
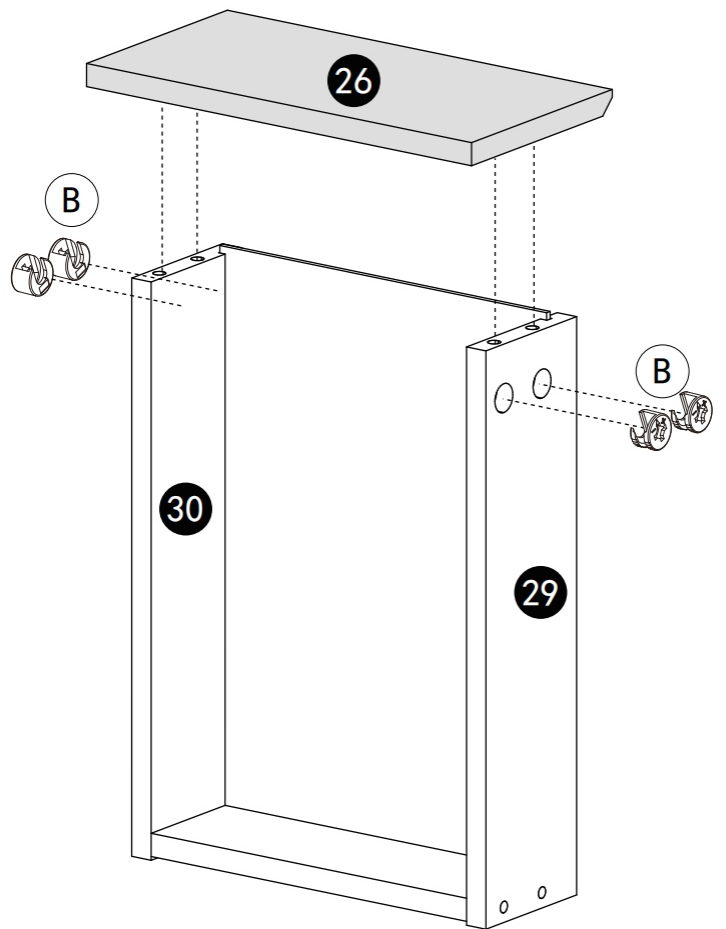
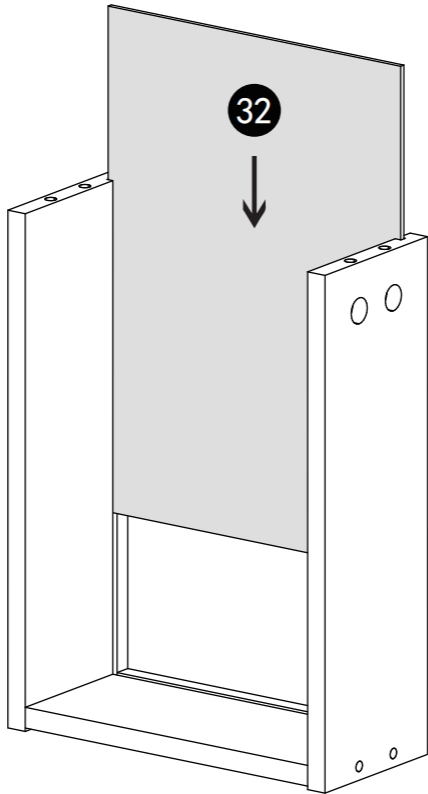
Screw installation method






1



X2

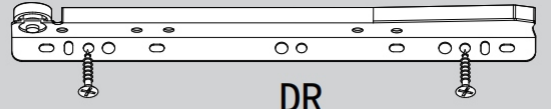


B		x8
A		x8
F		x8

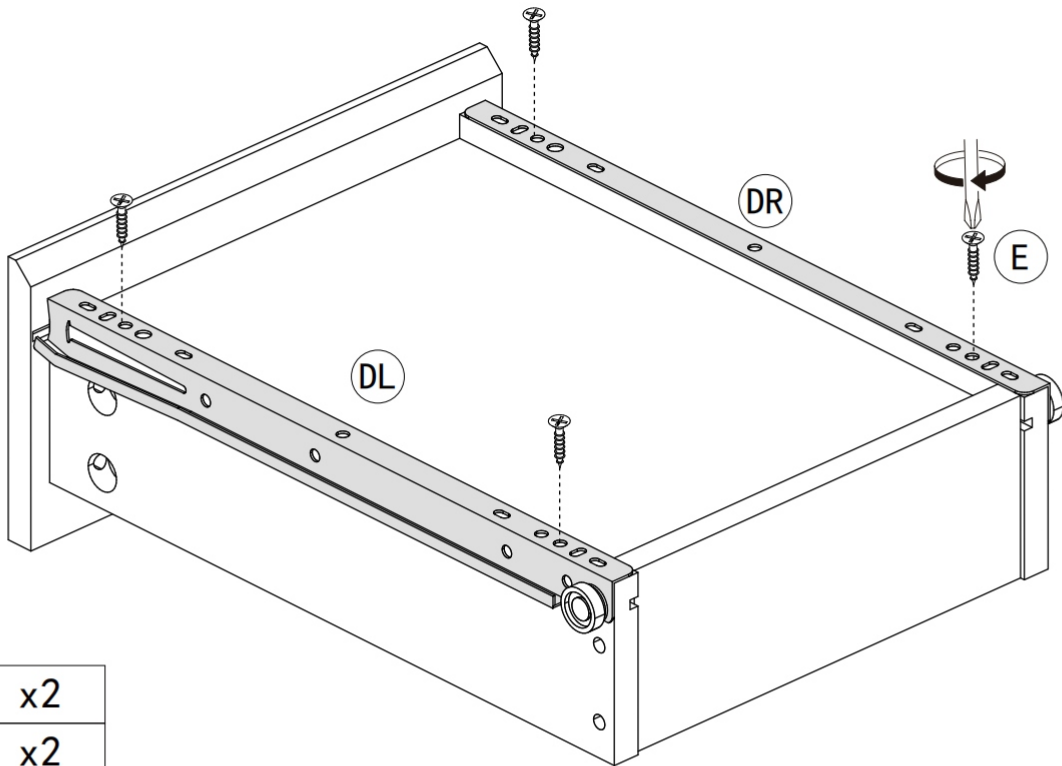
2






DL

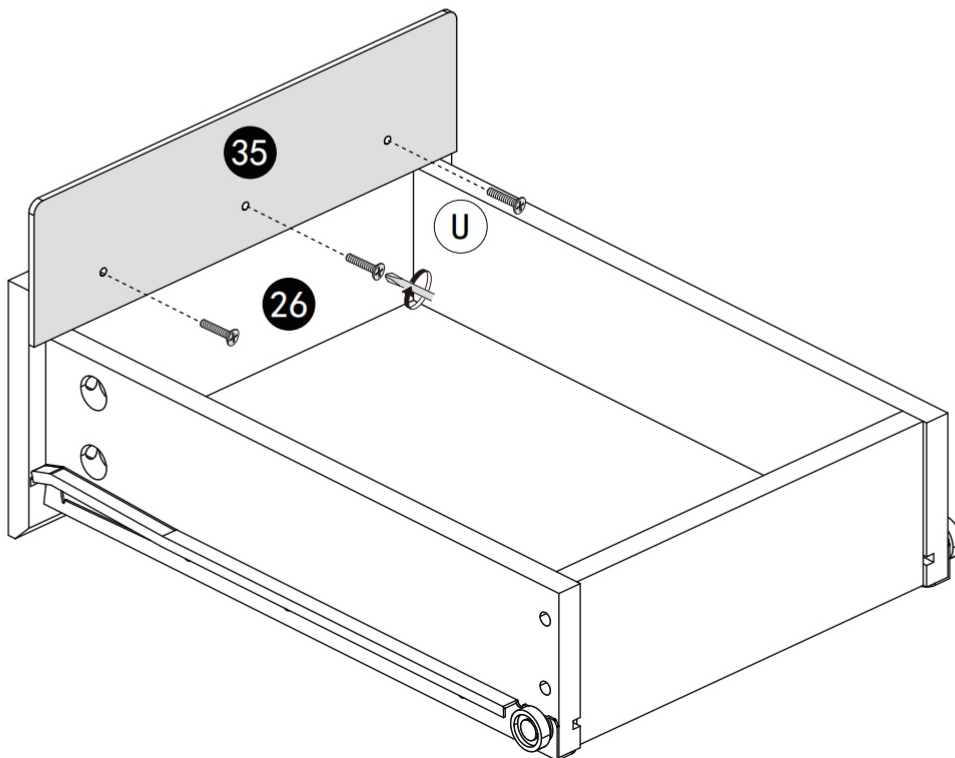


DR



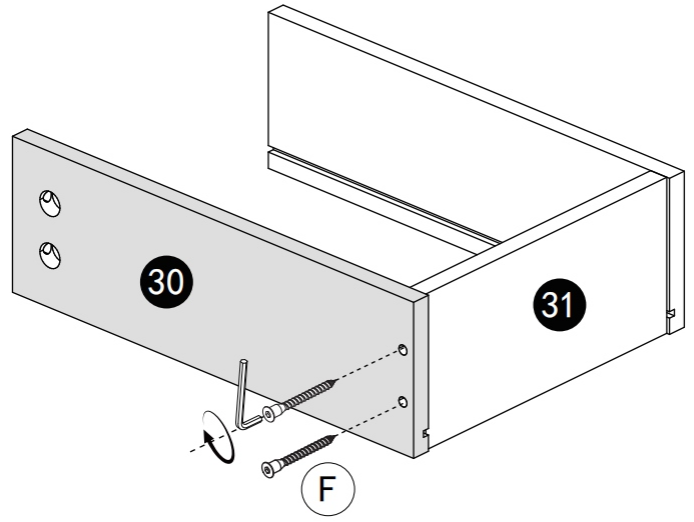
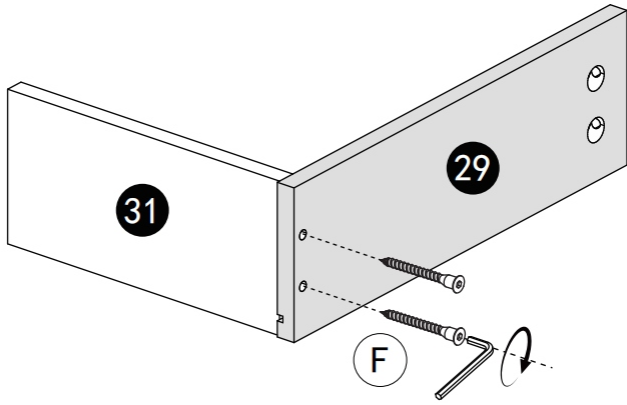
DL		x2
DR		x2
E		x8

X2

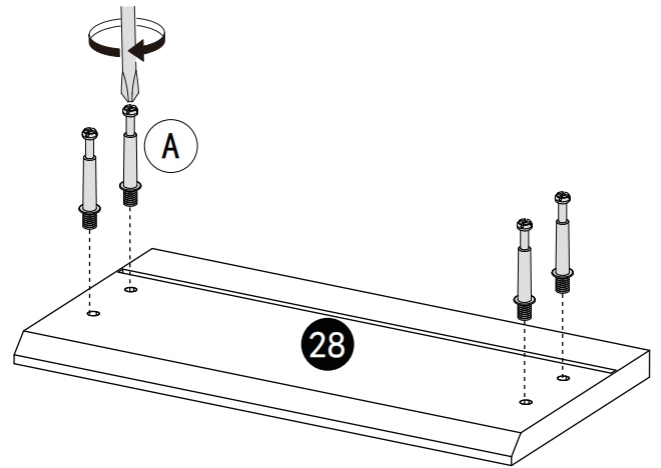
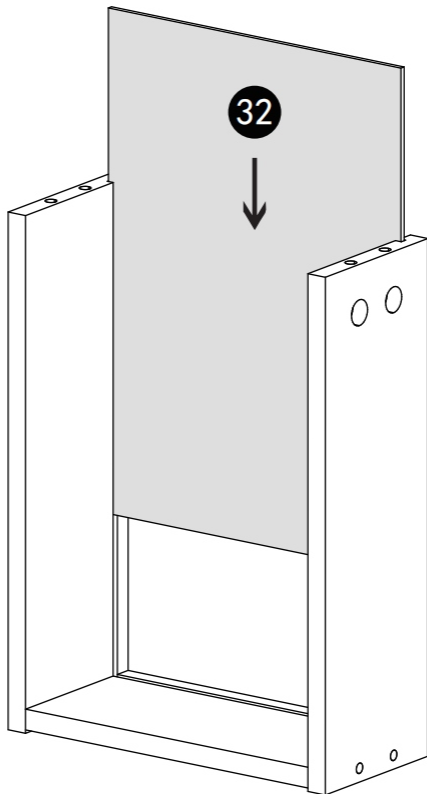




U		x6
---	---	----

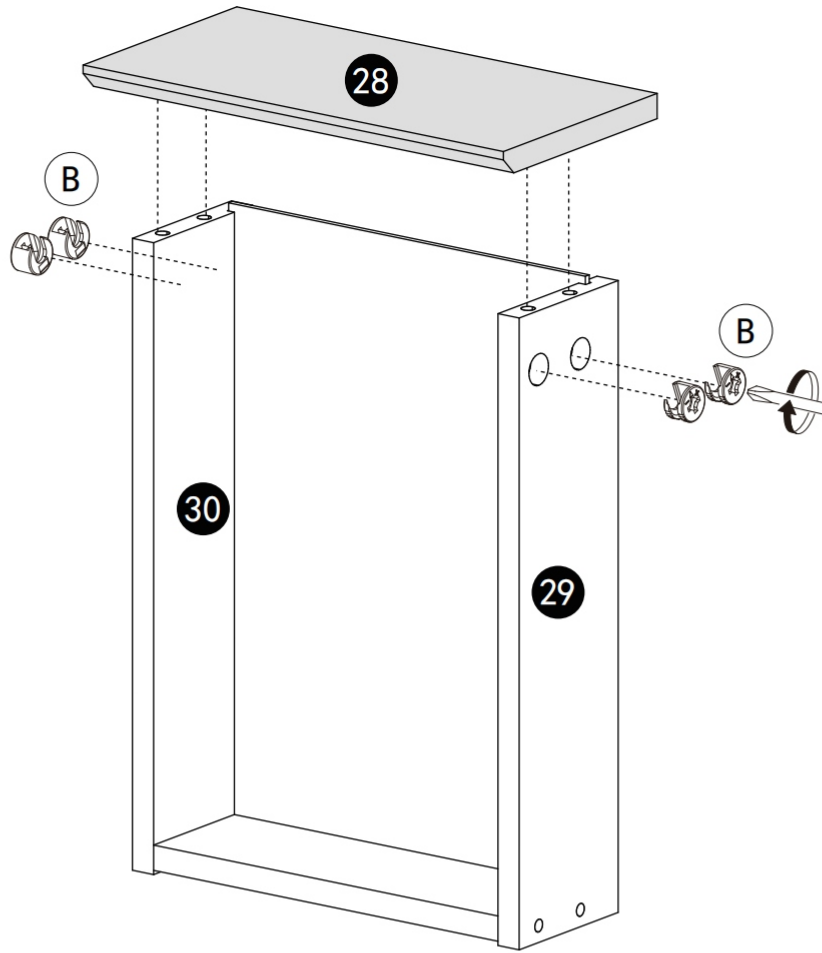
3



X8

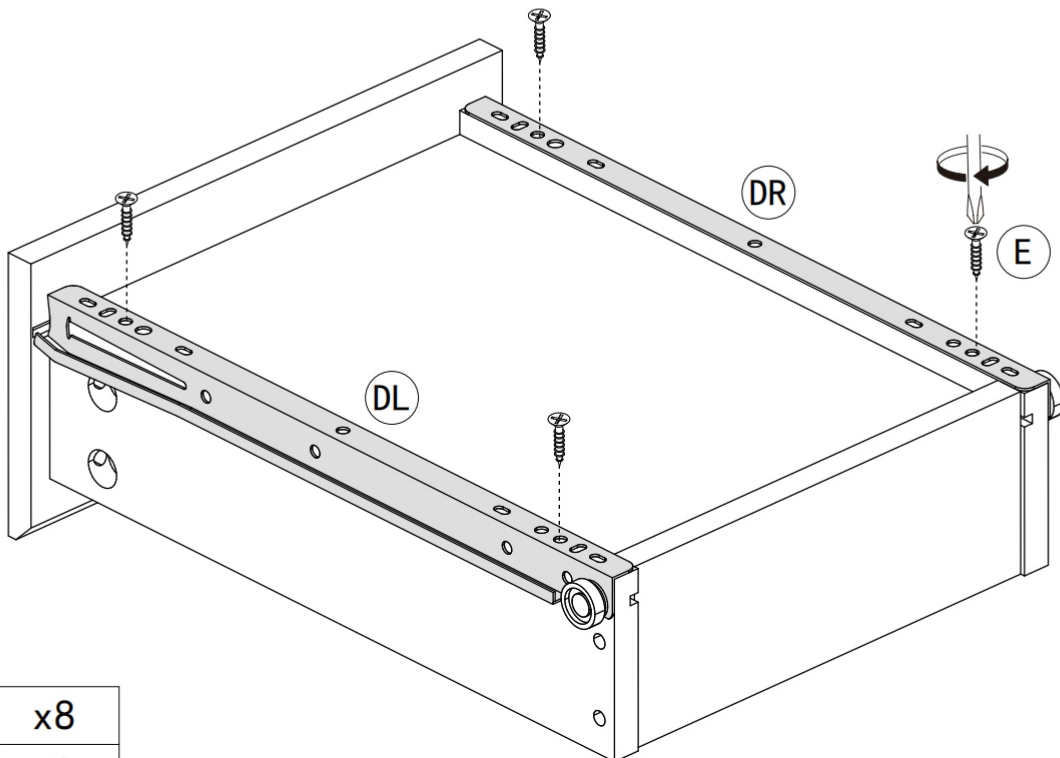
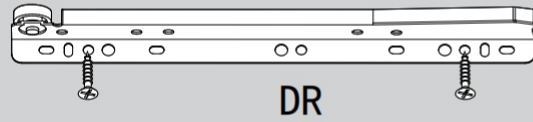





A		x32
F		x32

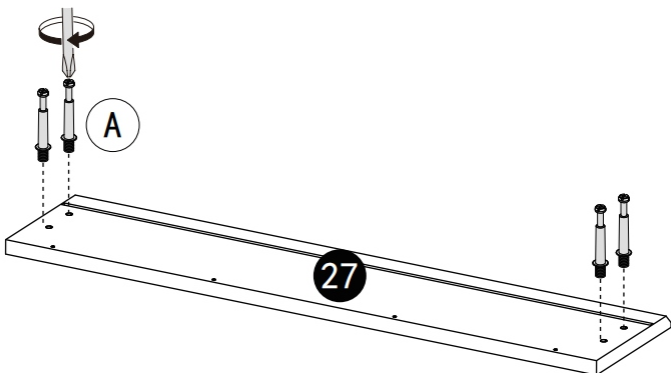
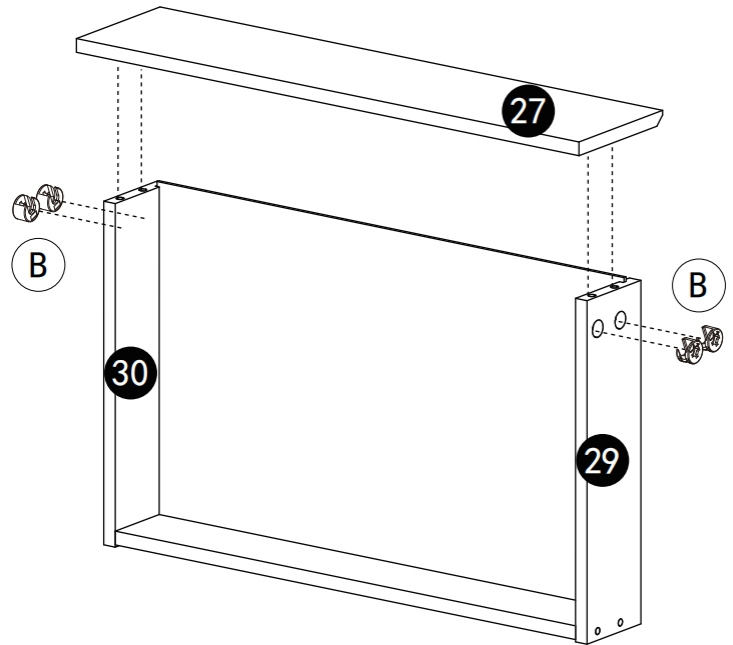
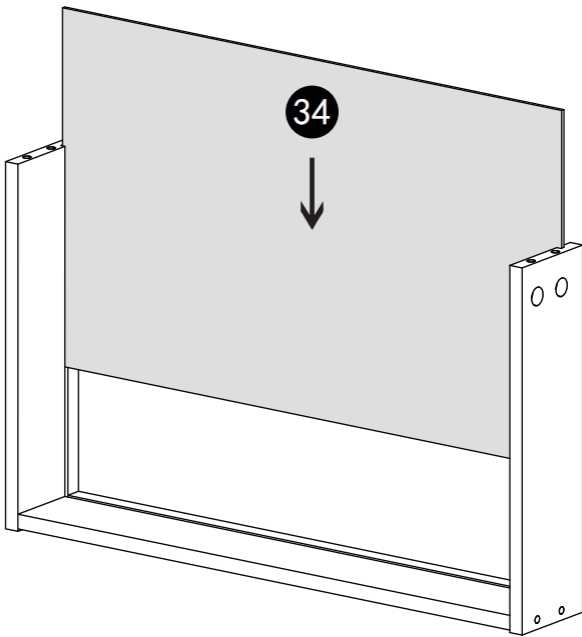
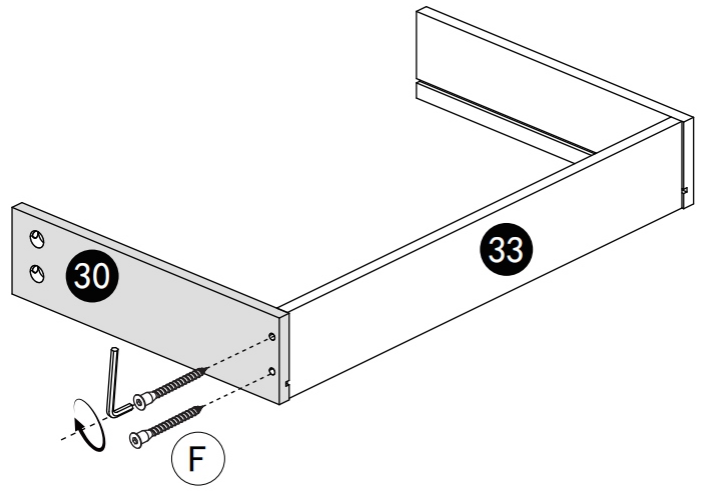
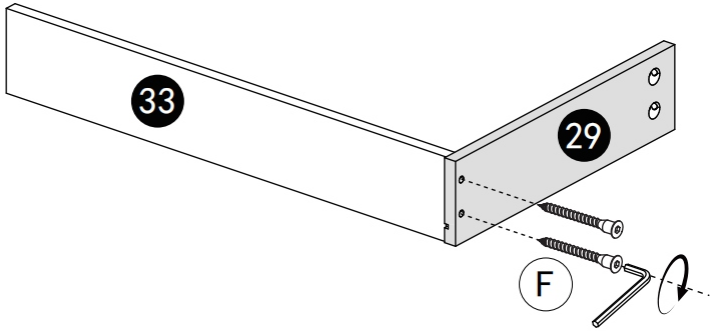





B  x32

X8

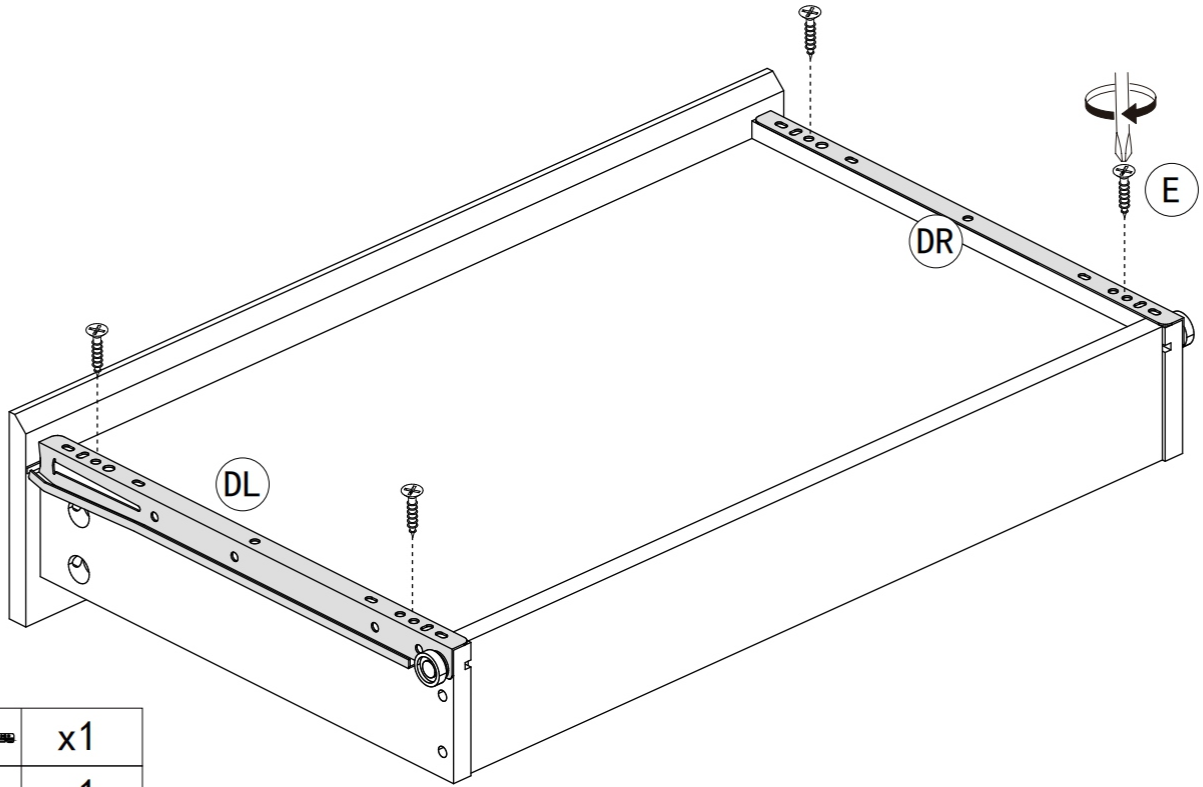
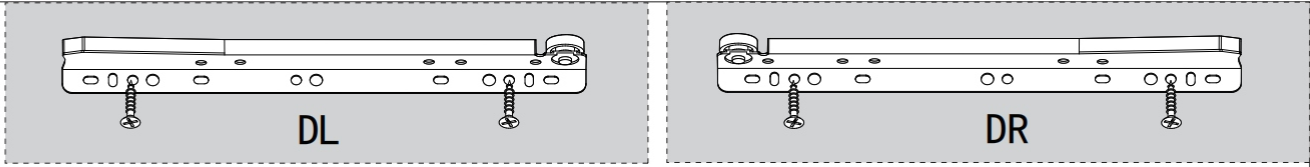


DL		x8
DR		x8
E		x32

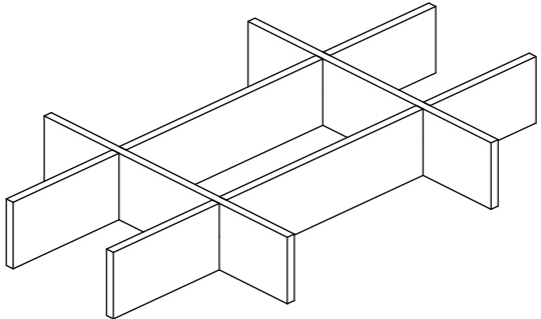
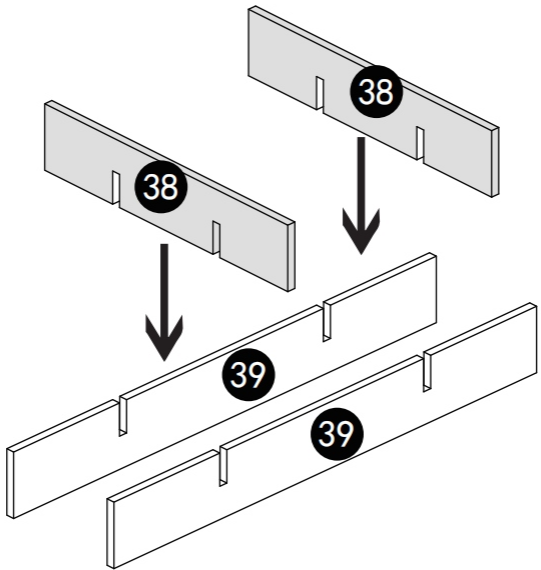


B		x4
A		x4
F		x4

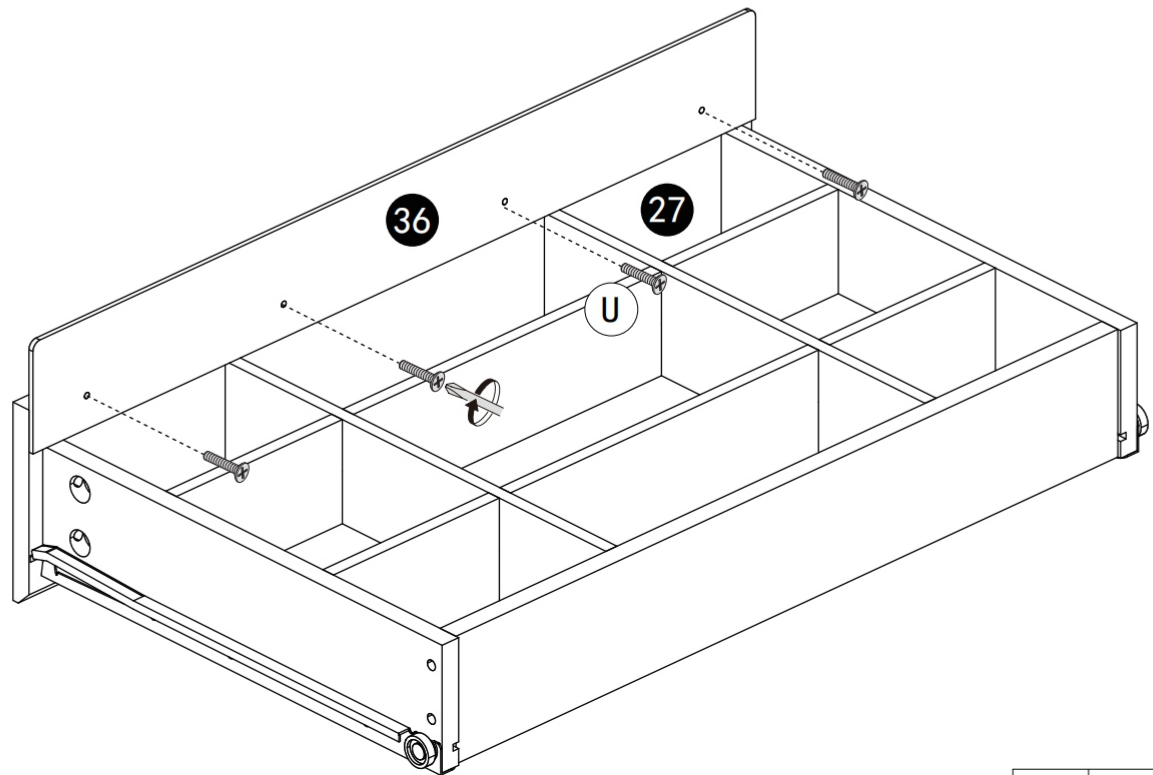
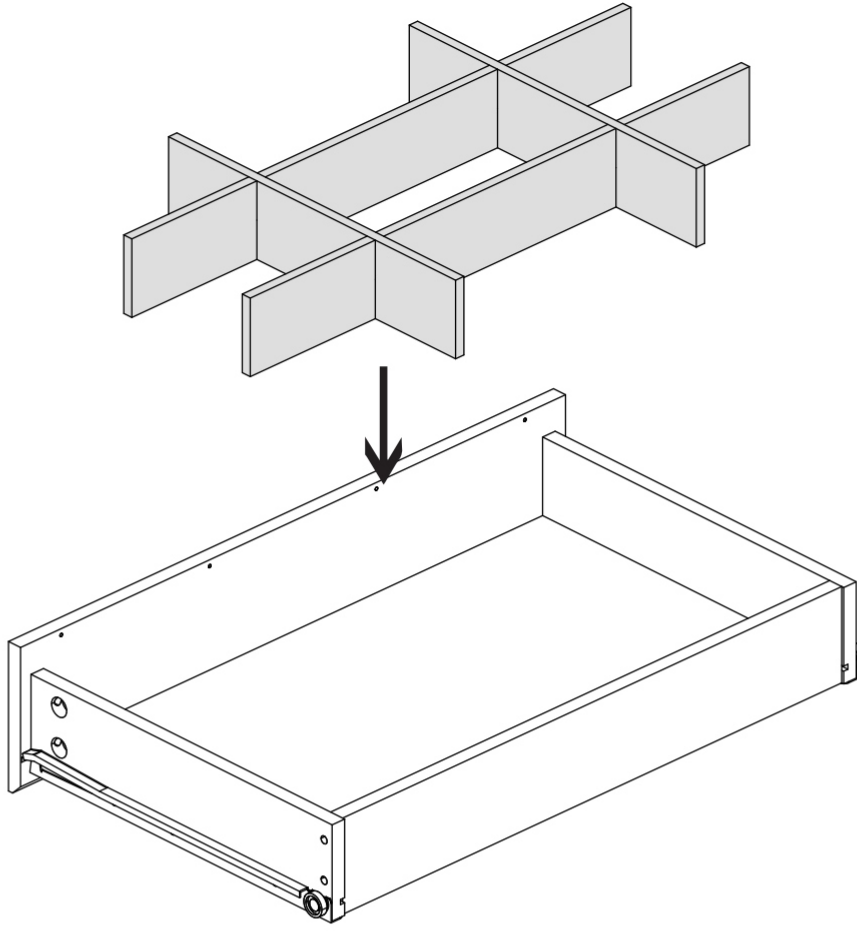
6




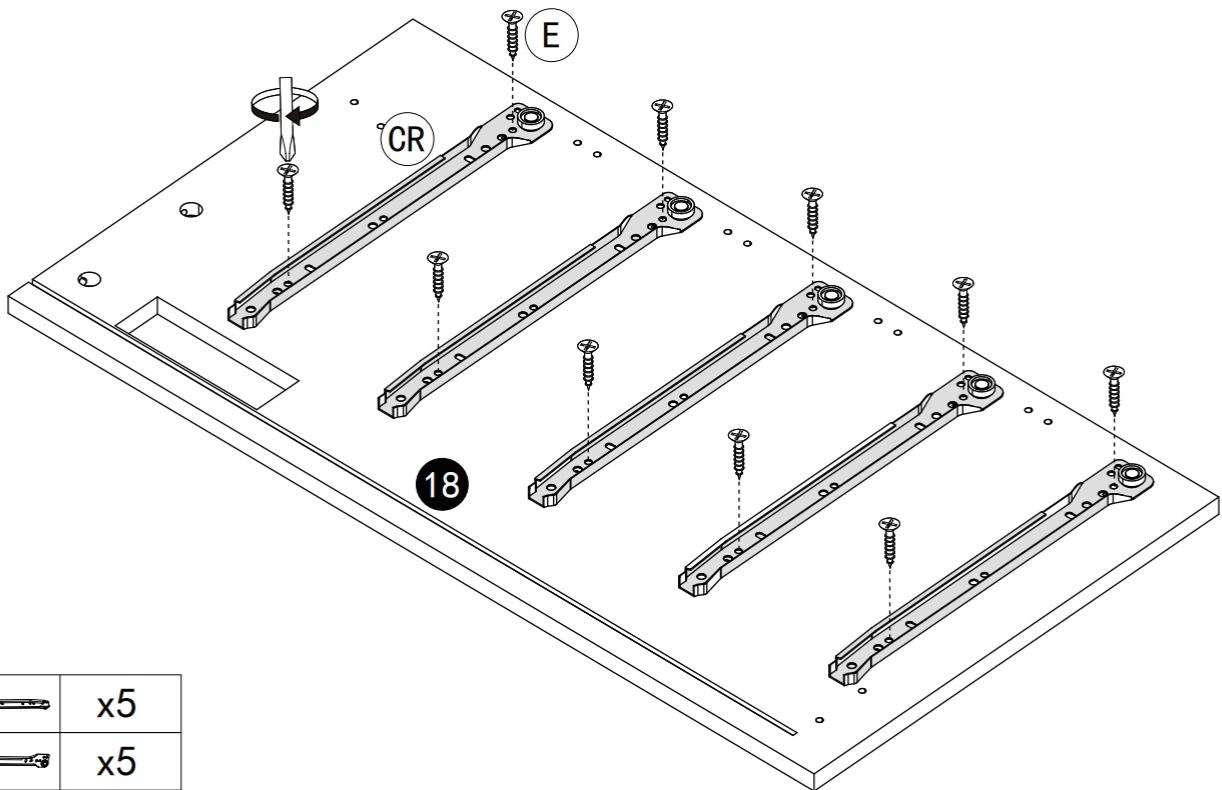
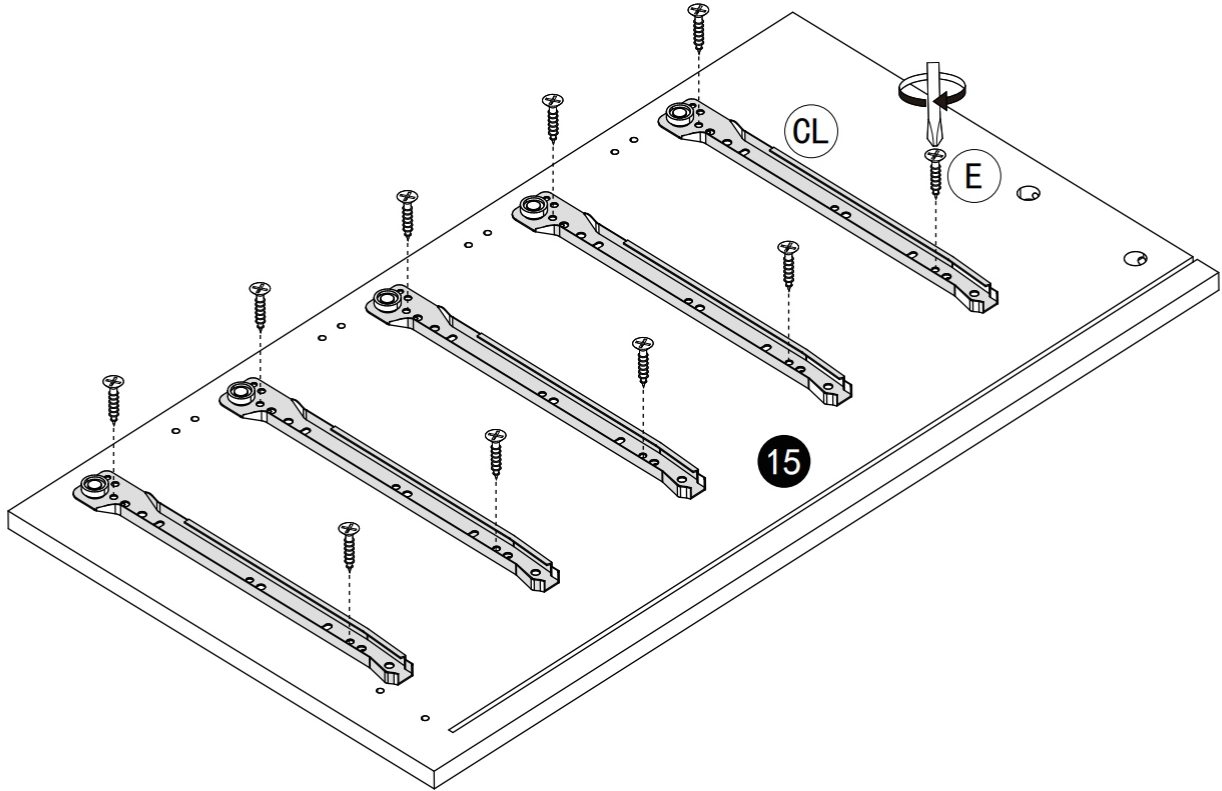
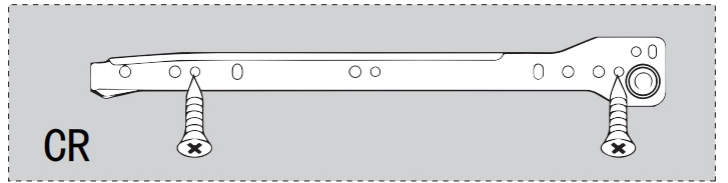
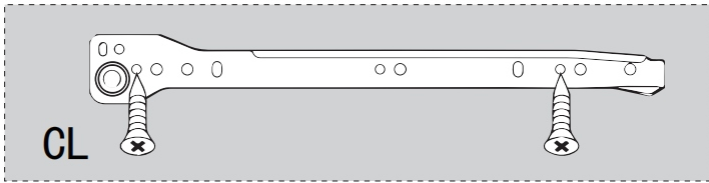
DL		x1
DR		x1
E		x4



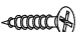


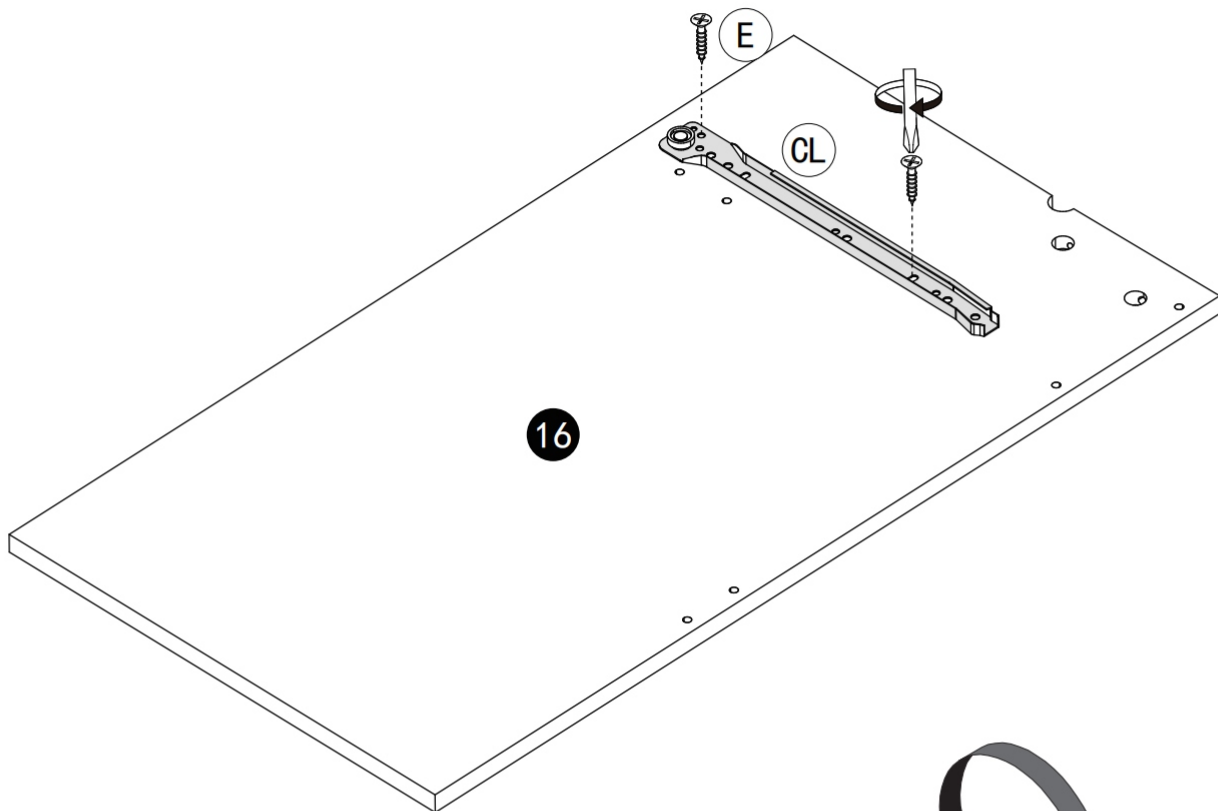
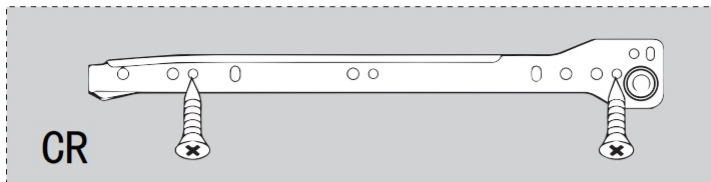
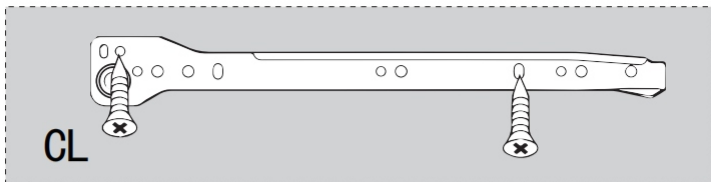
7



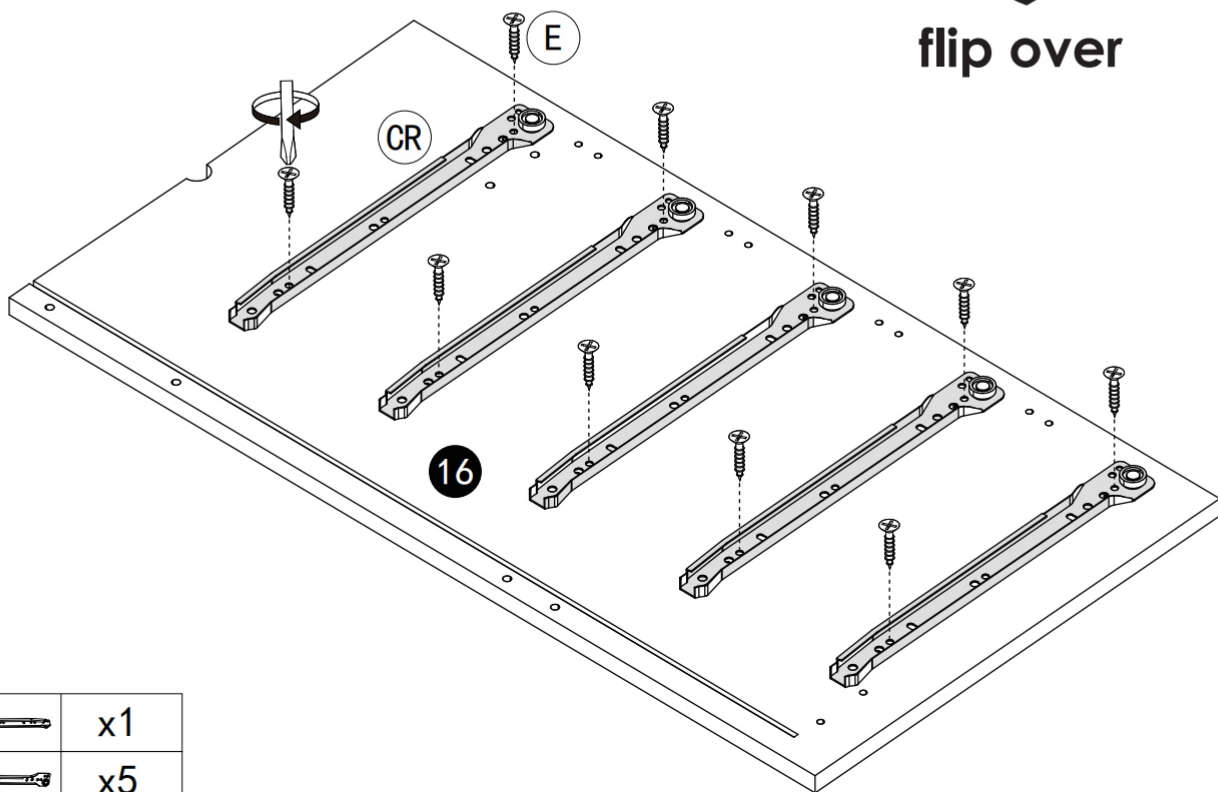
U		x4
---	---	----



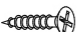


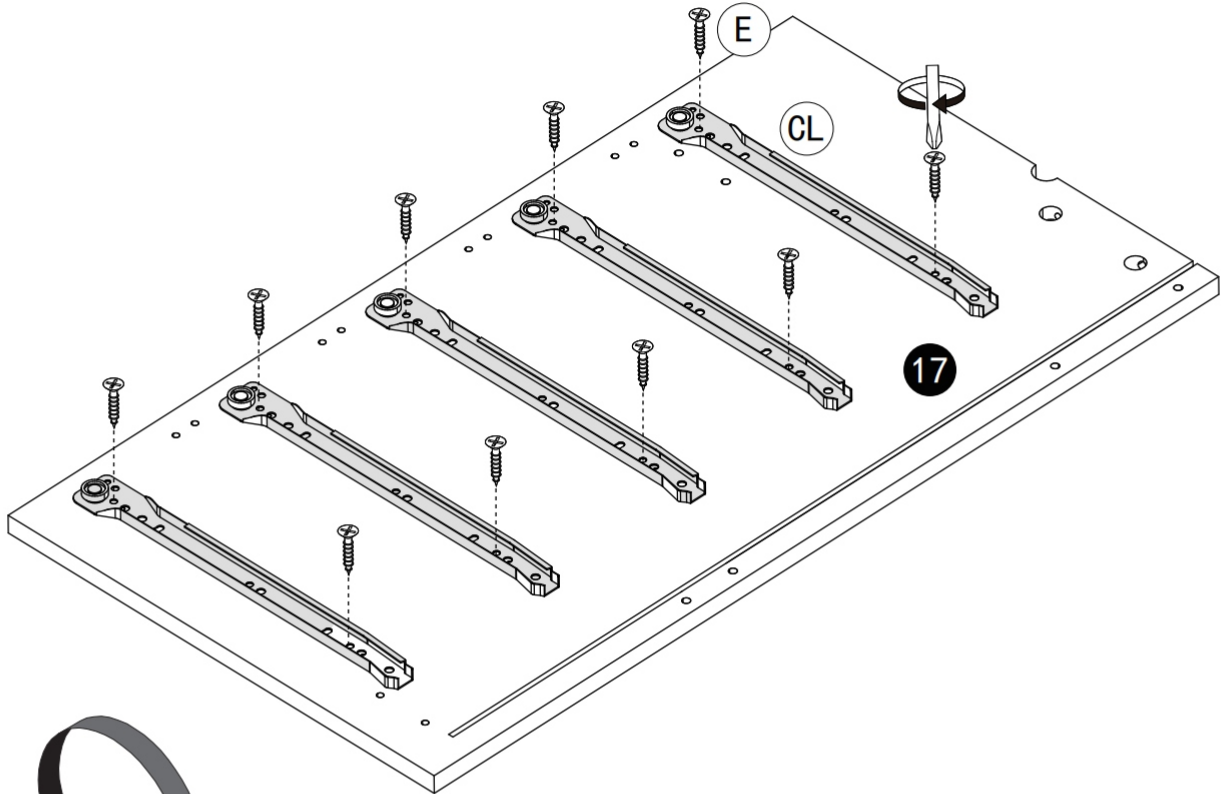
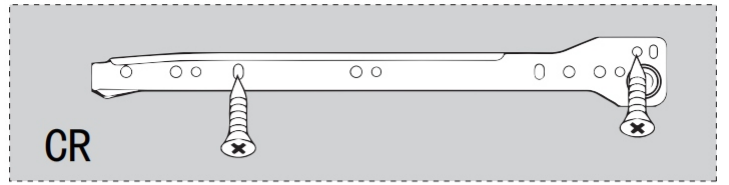
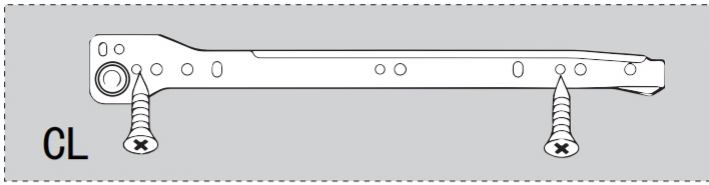
CL		x5
CR		x5
E		x20



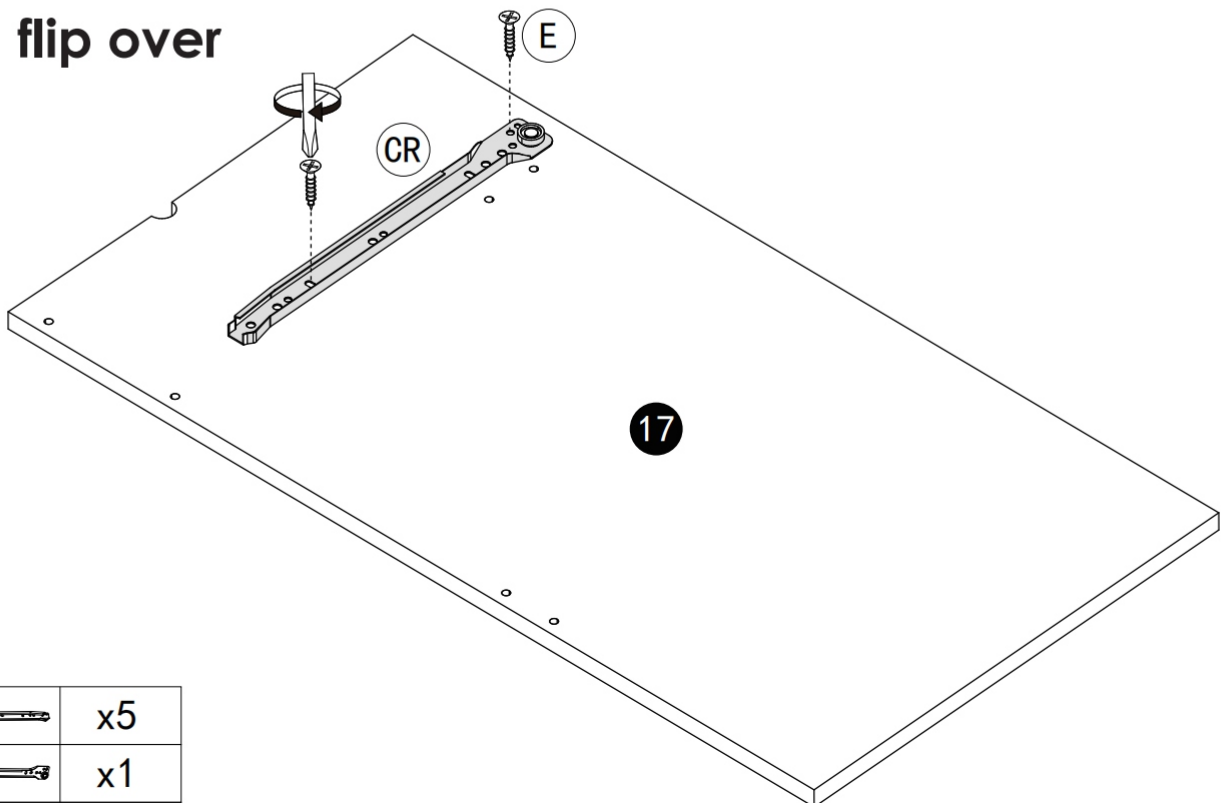
flip over



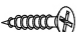


CL		x1
CR		x5
E		x12

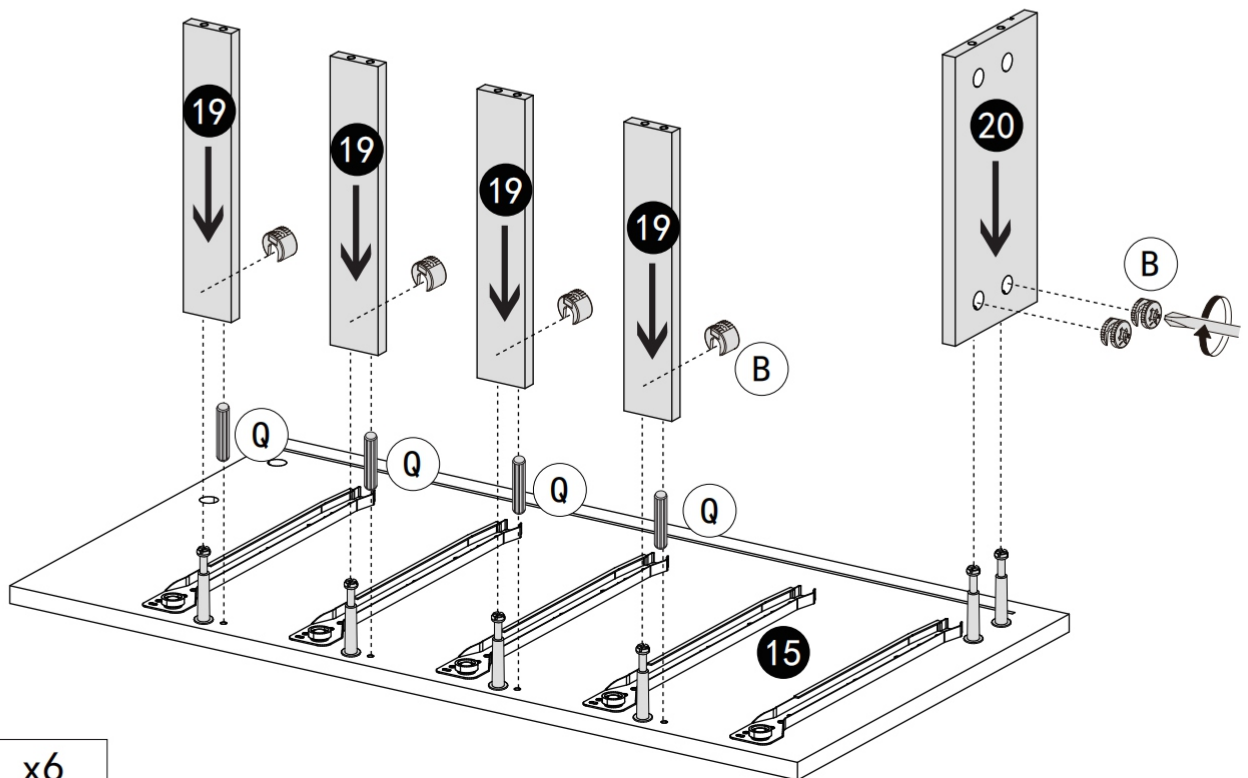
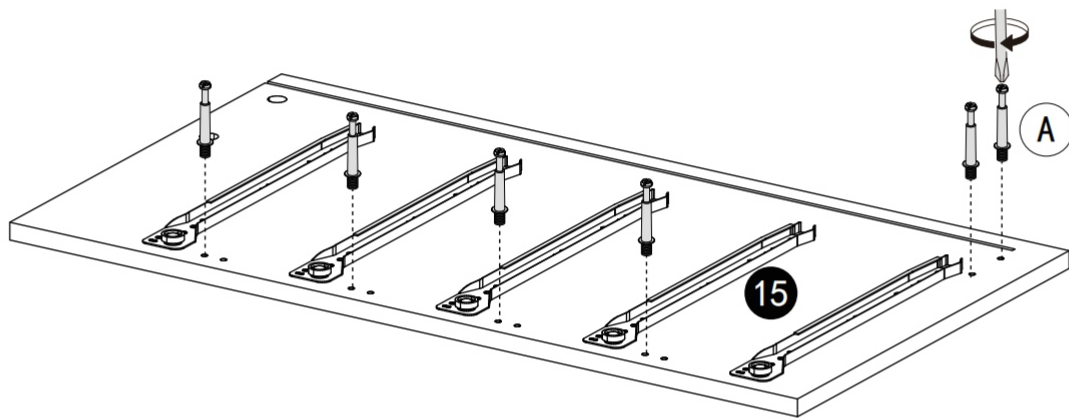
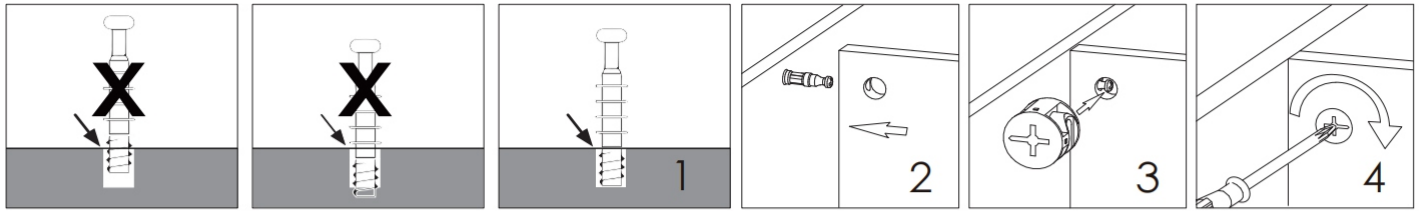





flip over

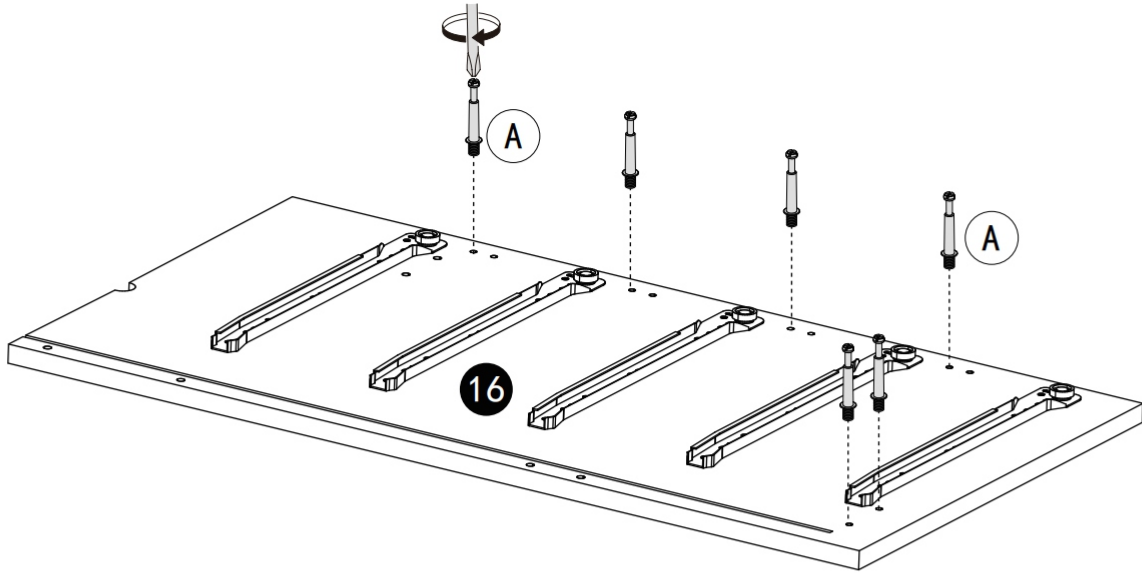


CL		x5
CR		x1
E		x12

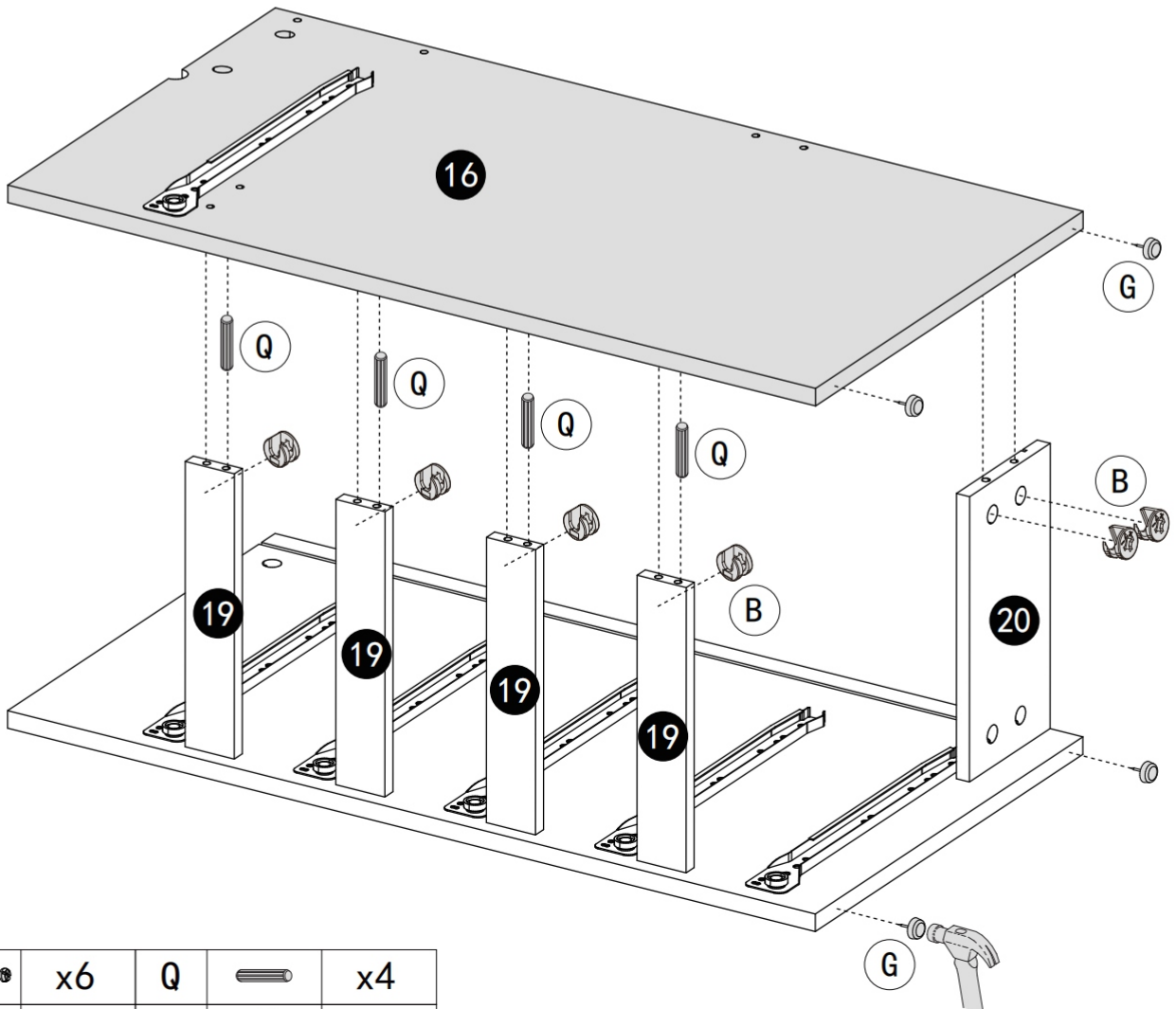
Installation method of three in one rod and buckle




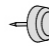


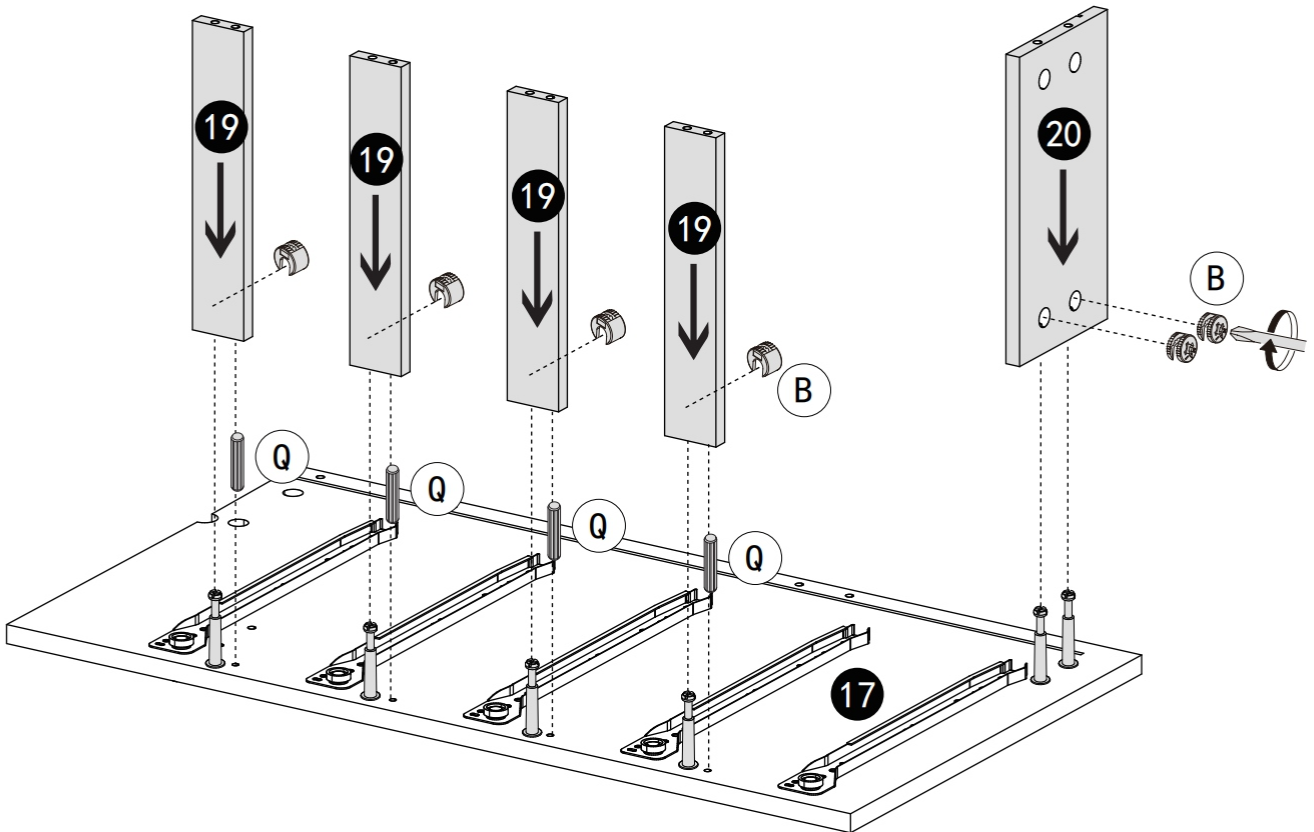
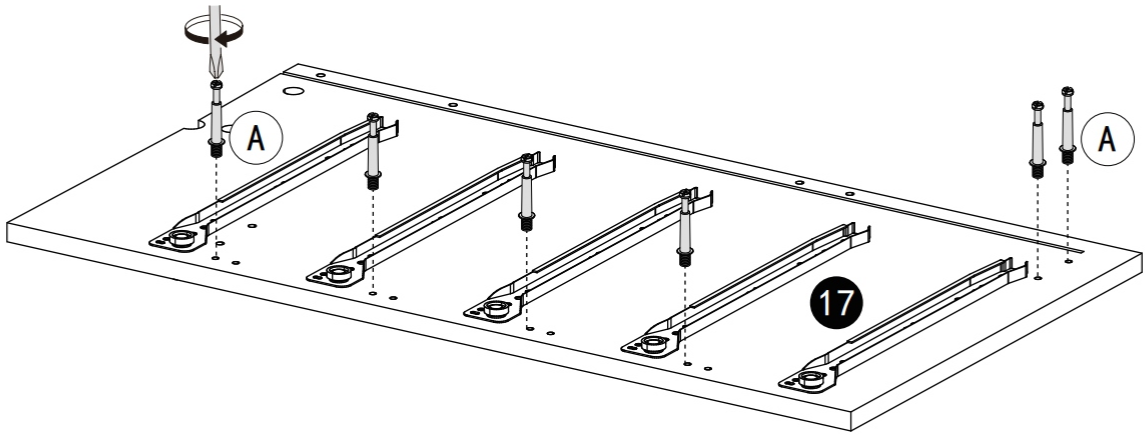
A		x6			
B		x6	Q		x4






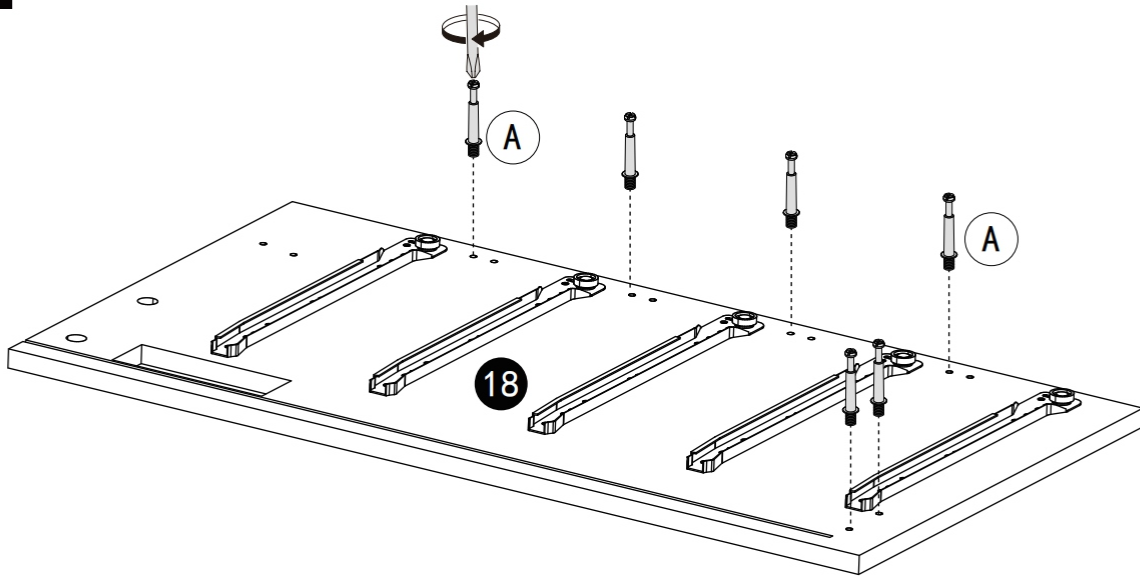
flip over



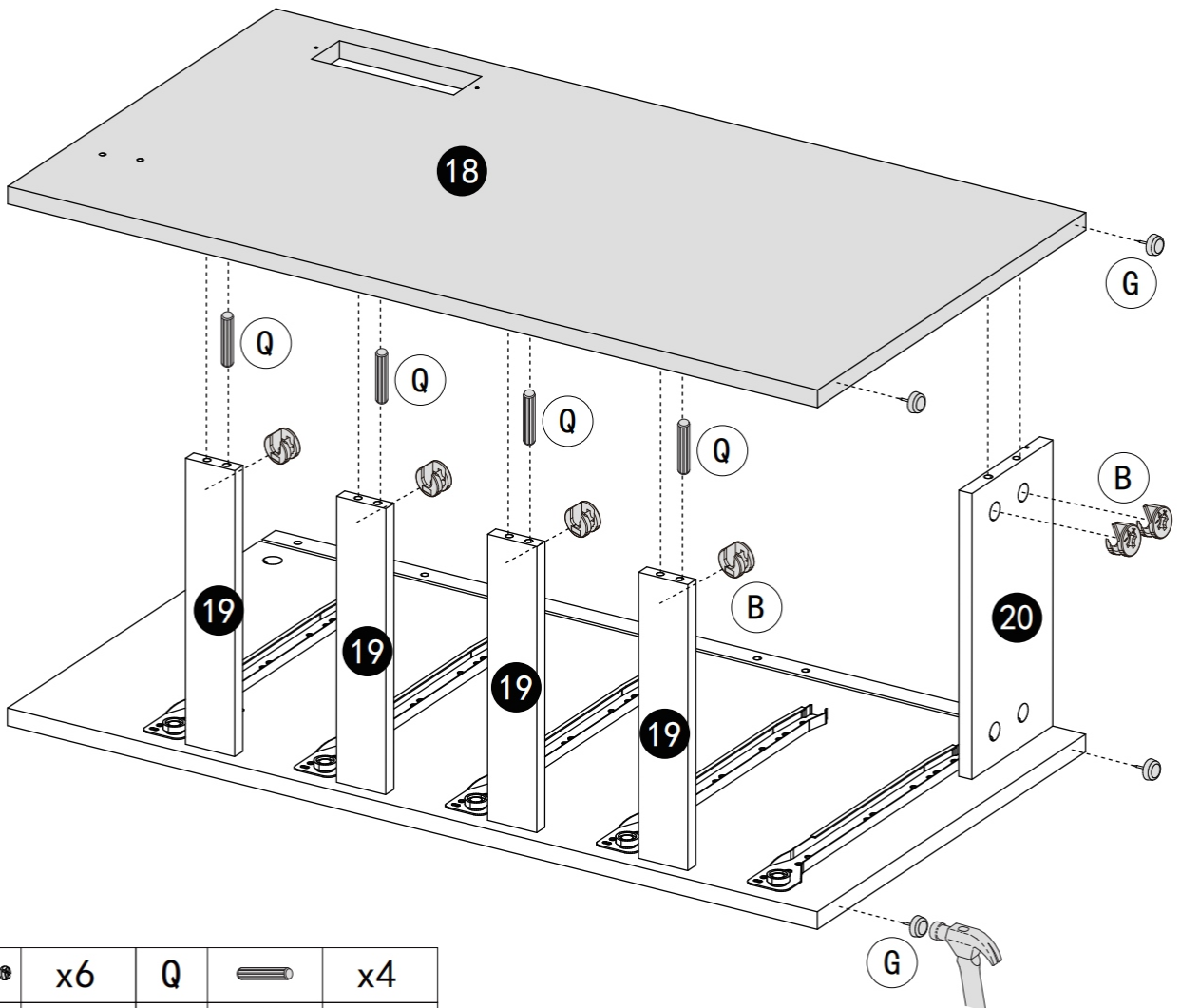
A		x6	Q		x4
B		x6	G		x4




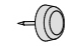


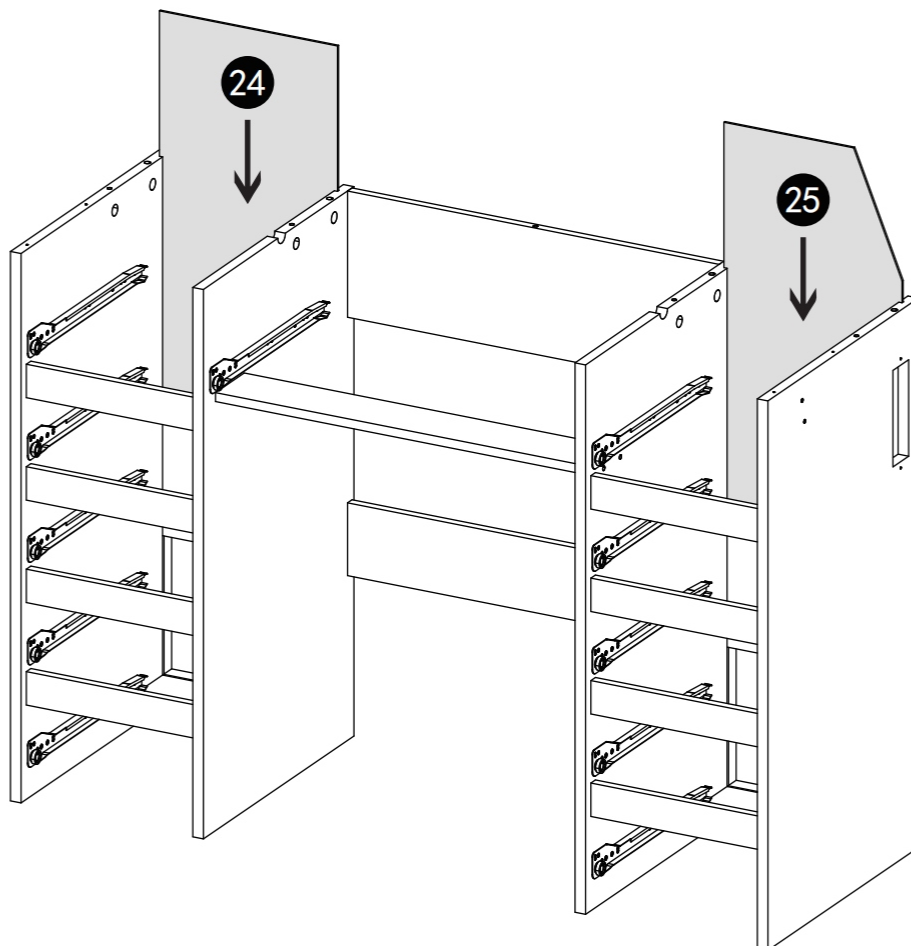
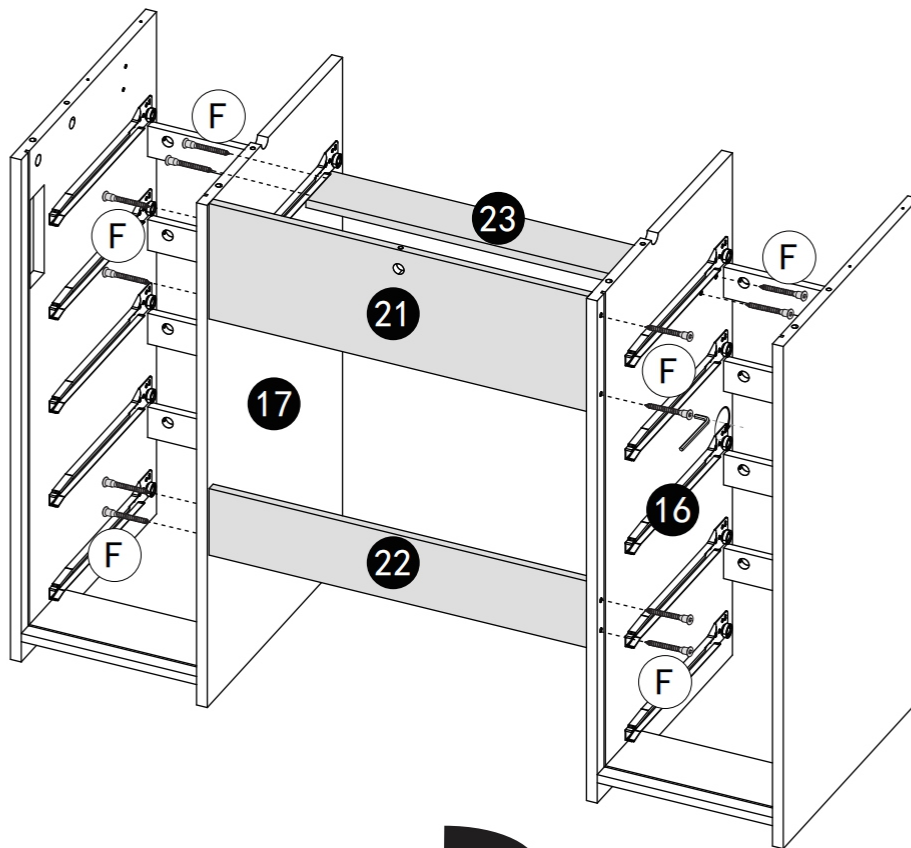
A		x6			
B		x6	Q		x4




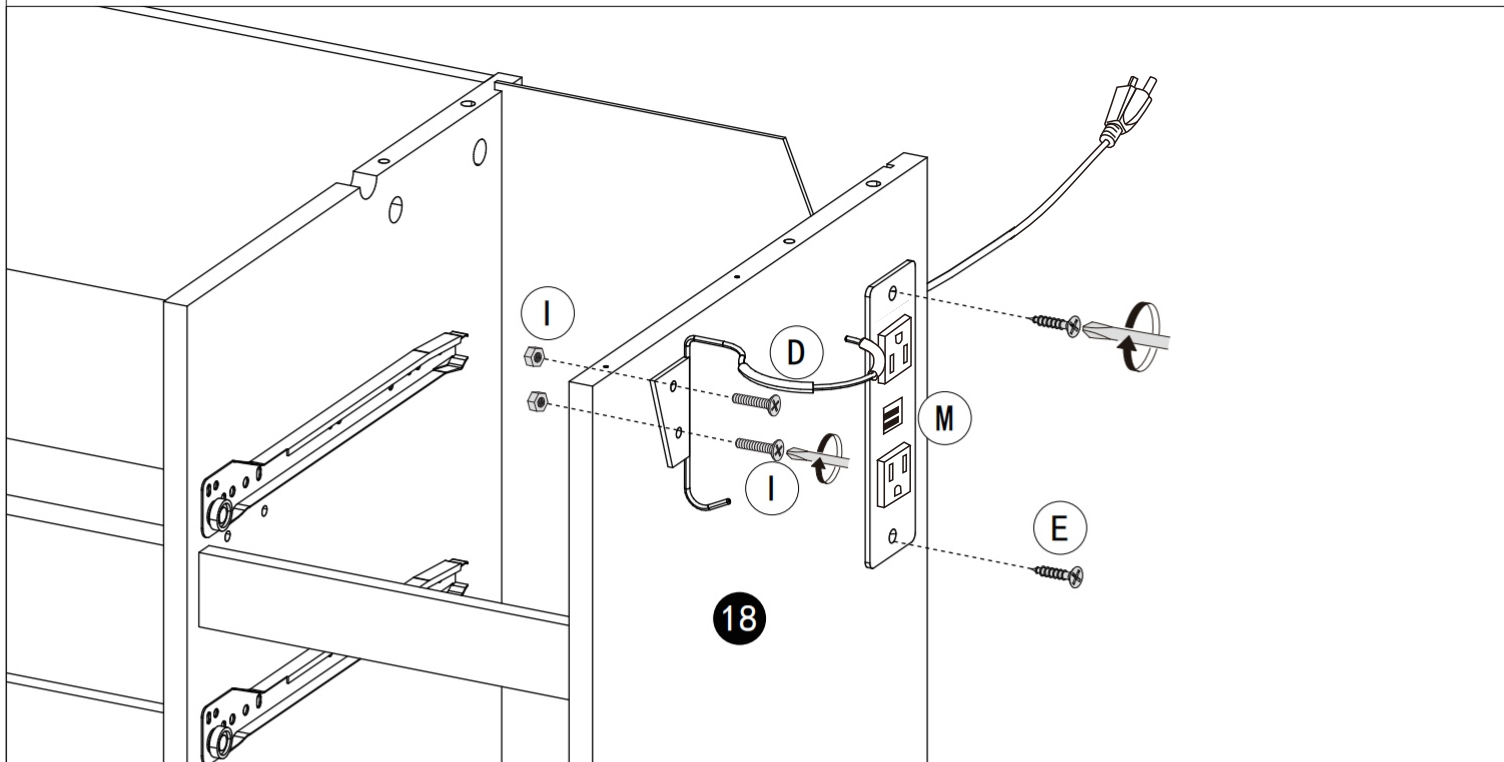
flip over



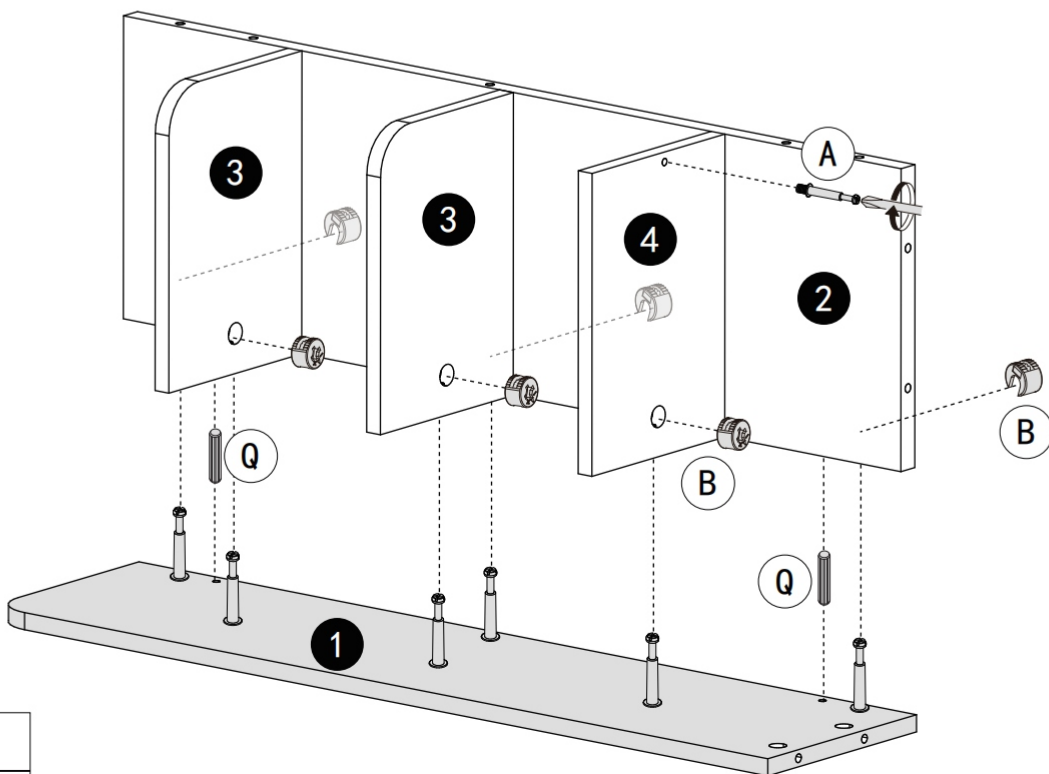
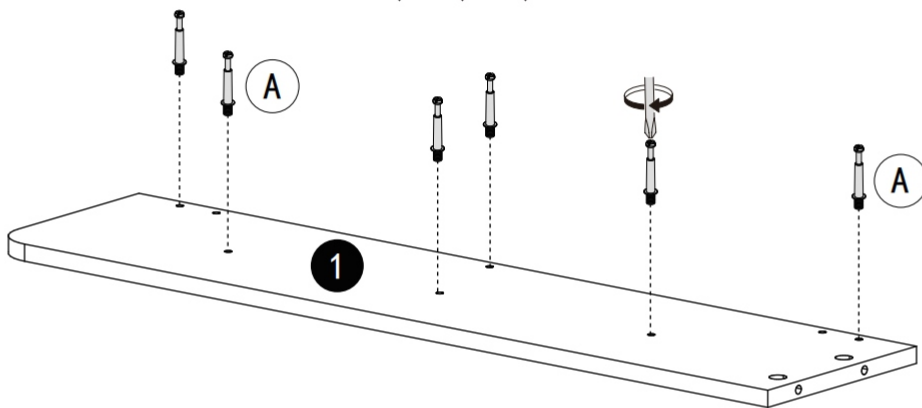
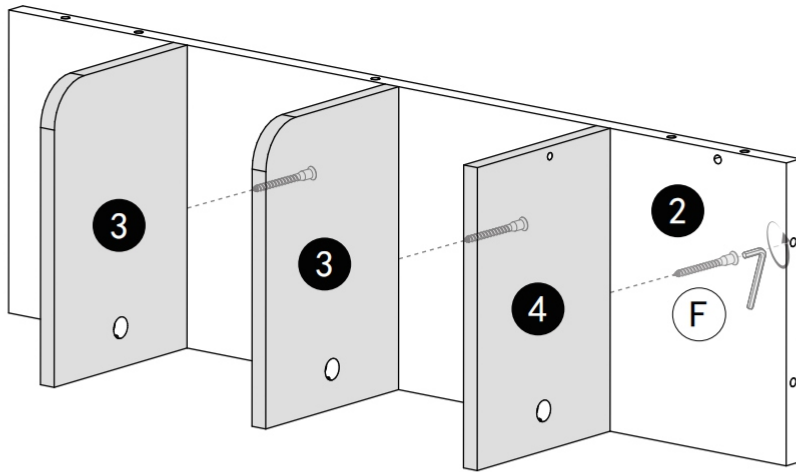
A		x6	Q		x4
B		x6	G		x4



F  x12

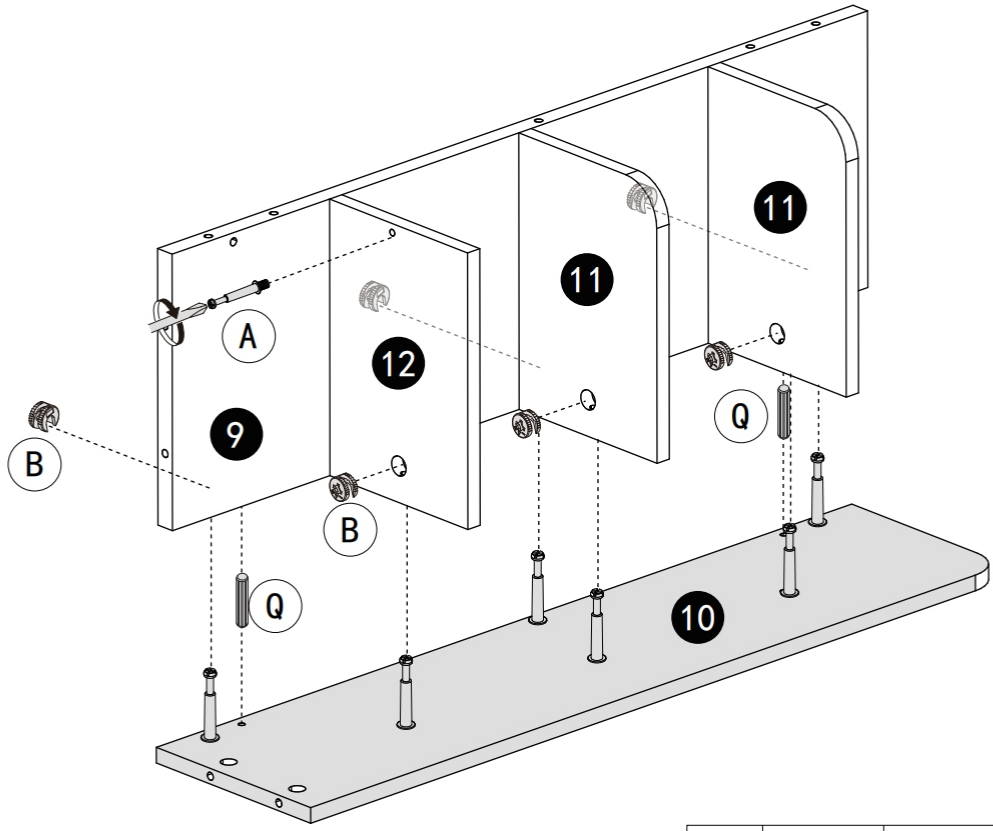
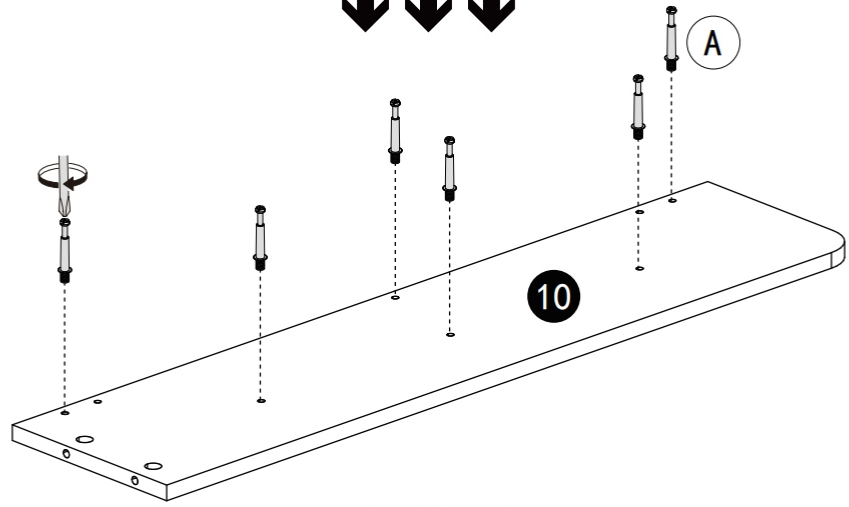
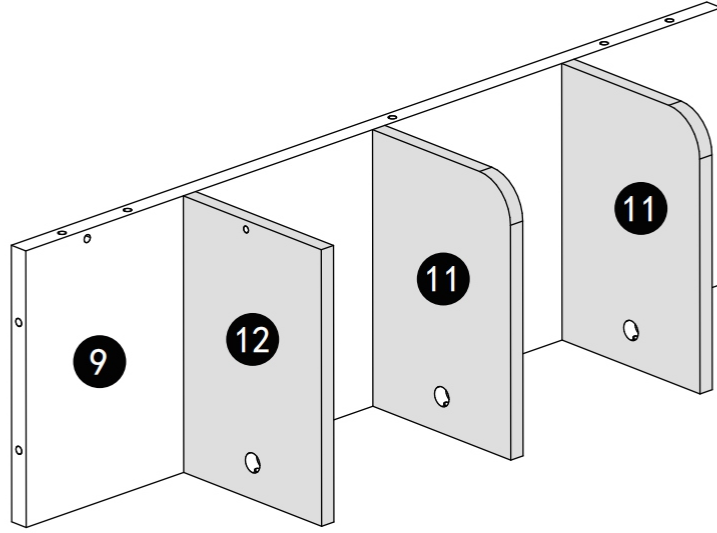






D		x1	E		x2
I		x2	M		x1

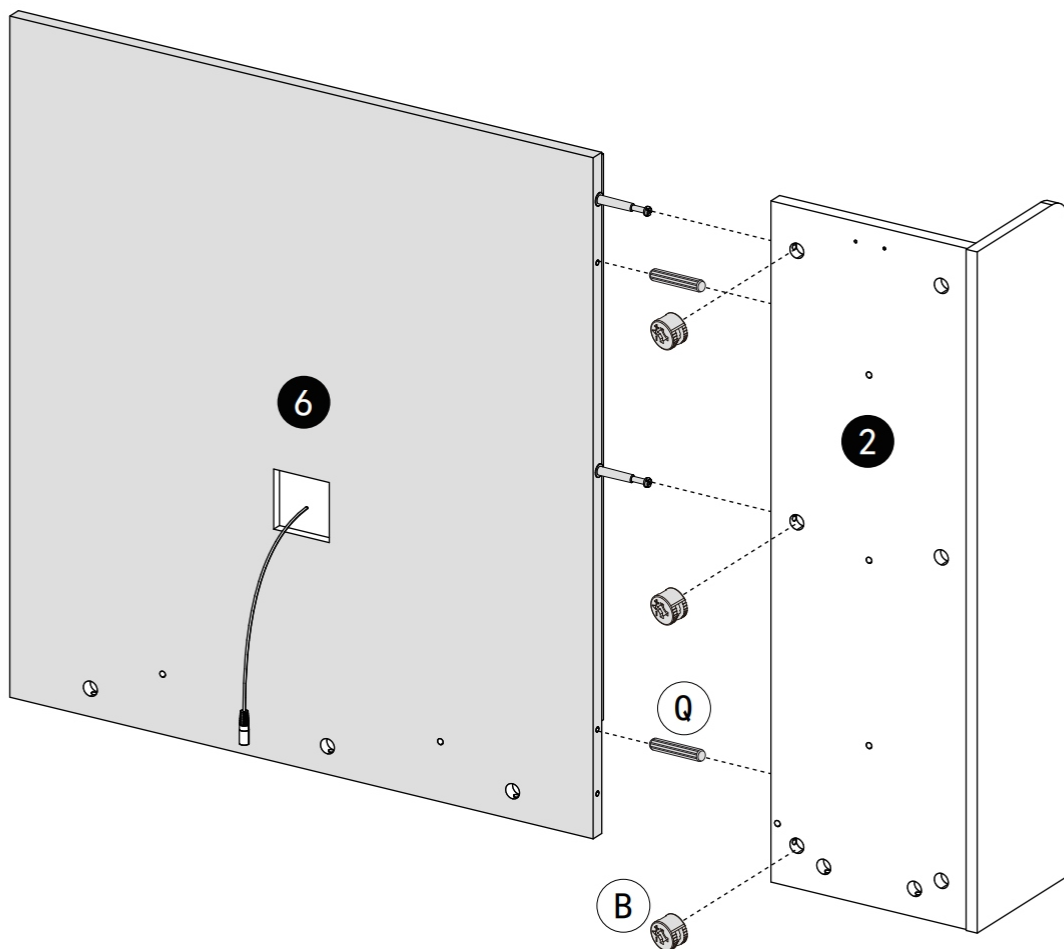
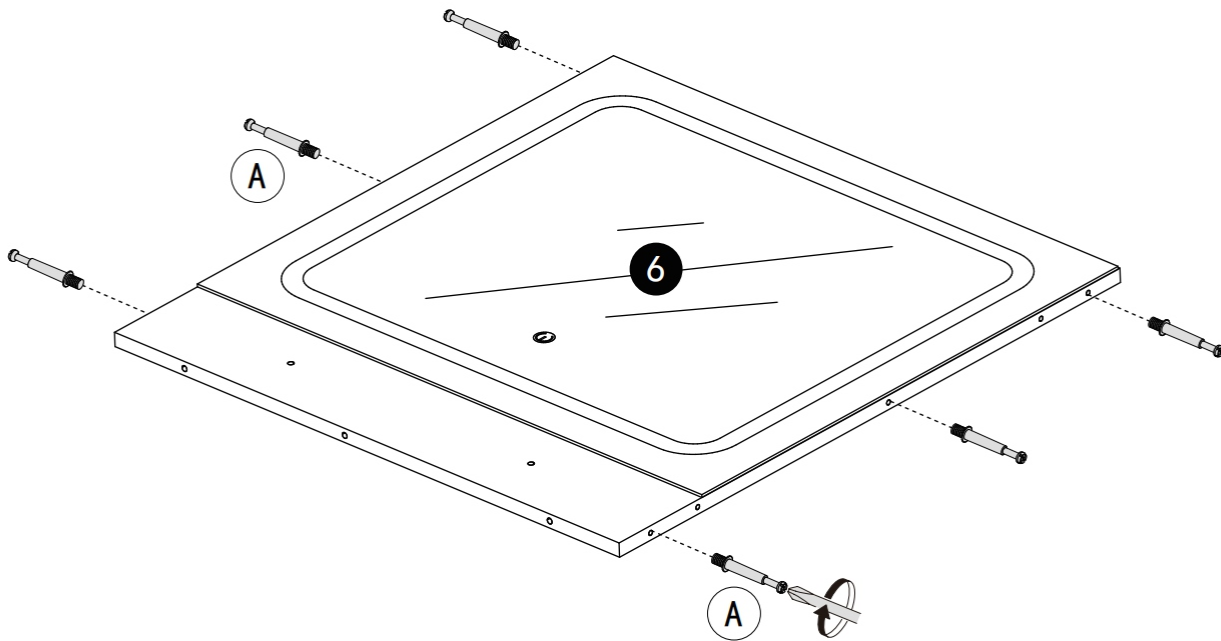





Q		x2
A		x7
B		x6

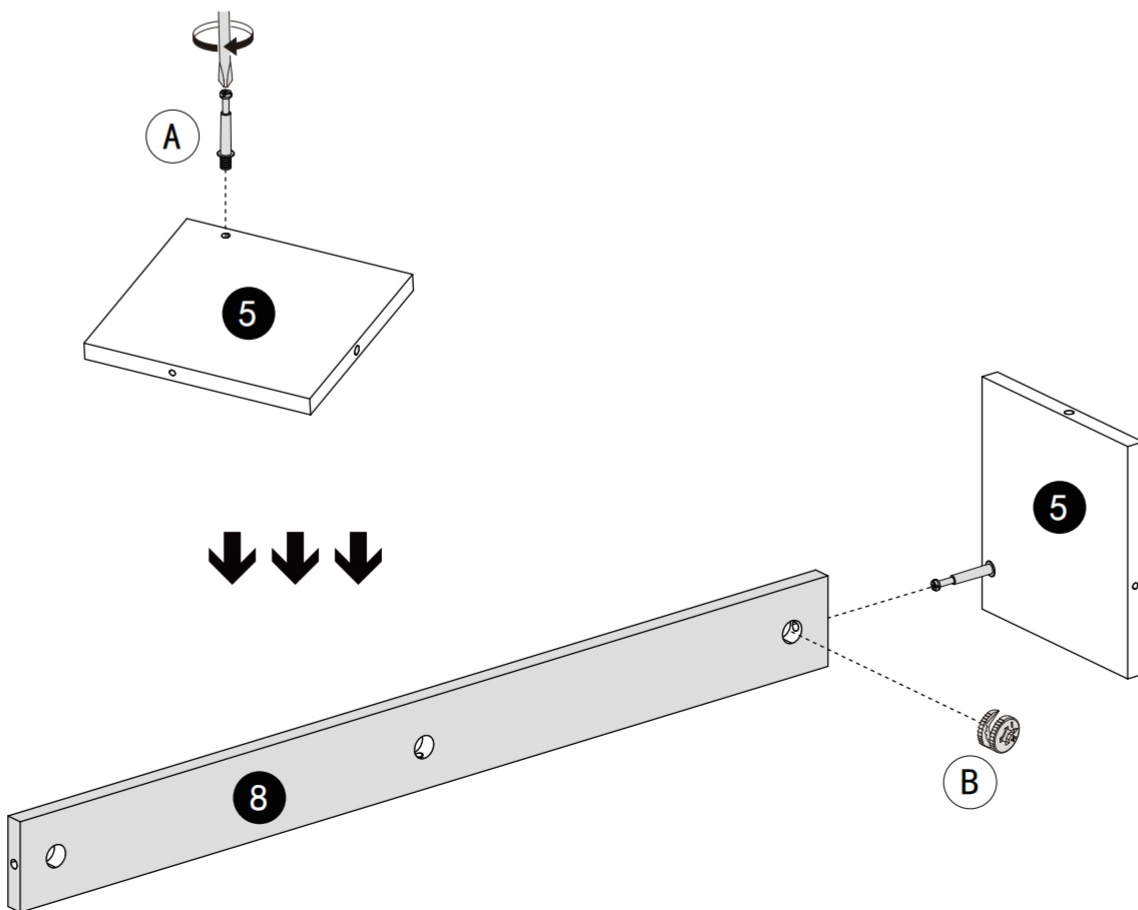
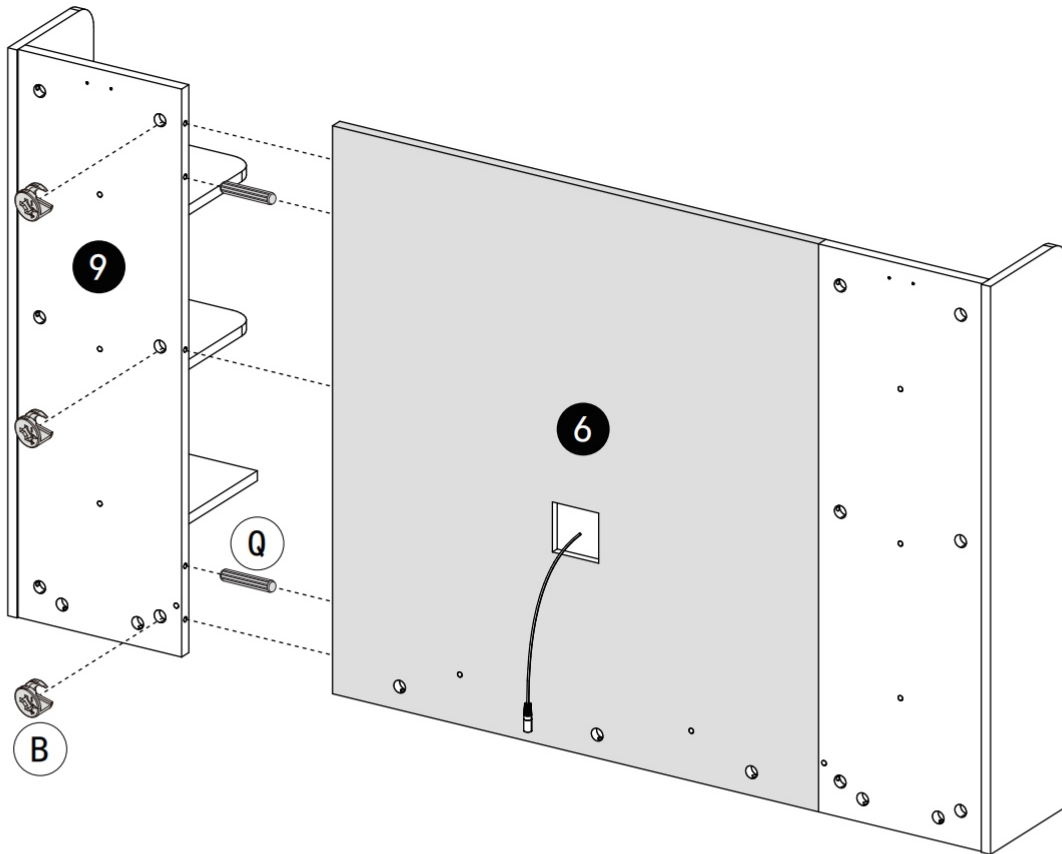
F		x3
---	--	----






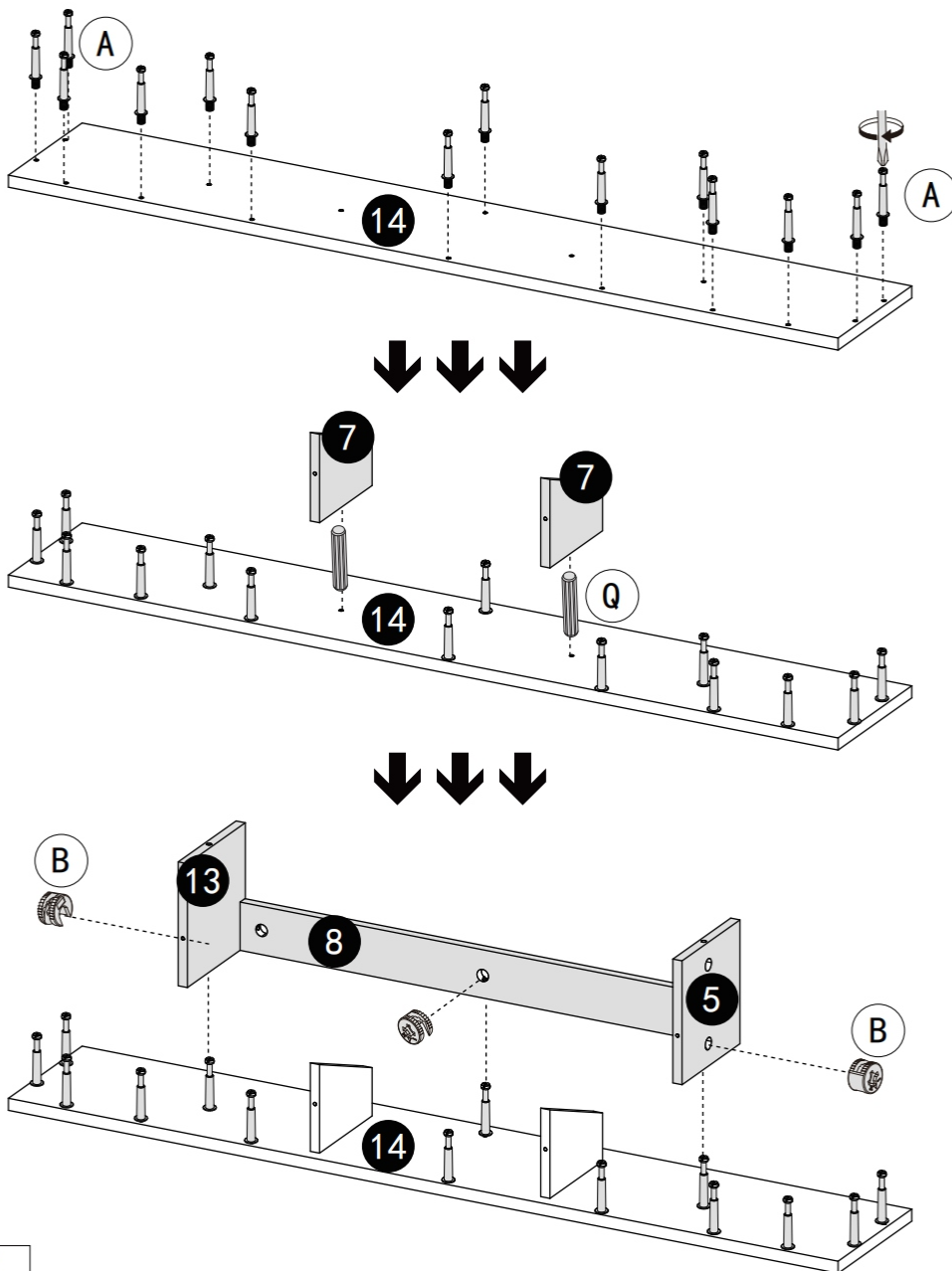
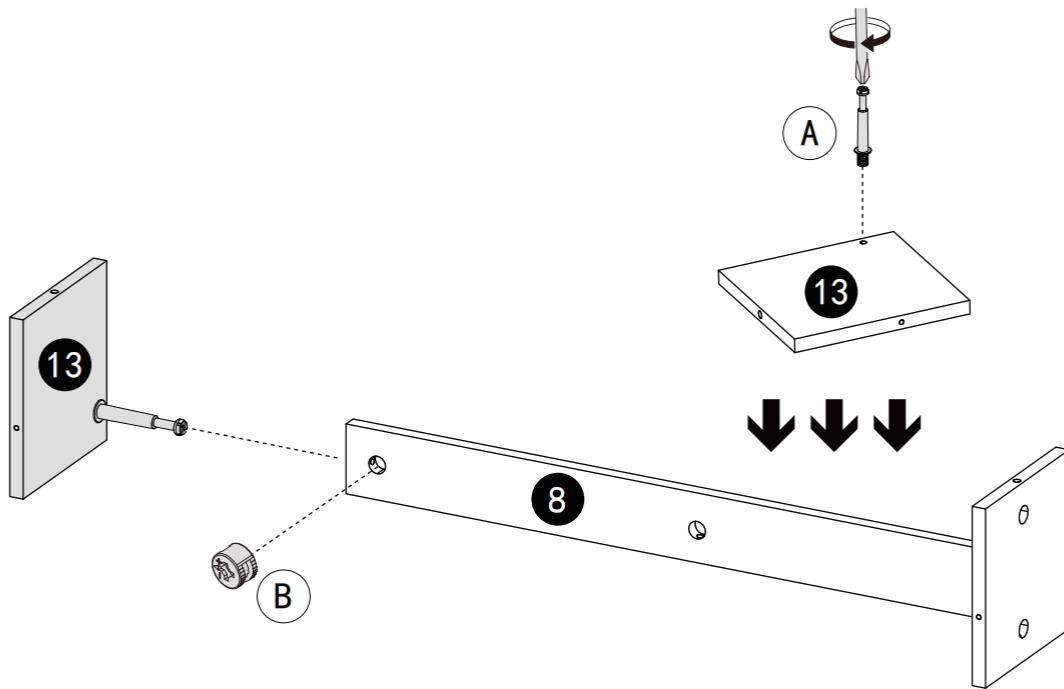
Q		x2
A		x7
B		x6
F		x3






A		x6
B		x3
Q		x2

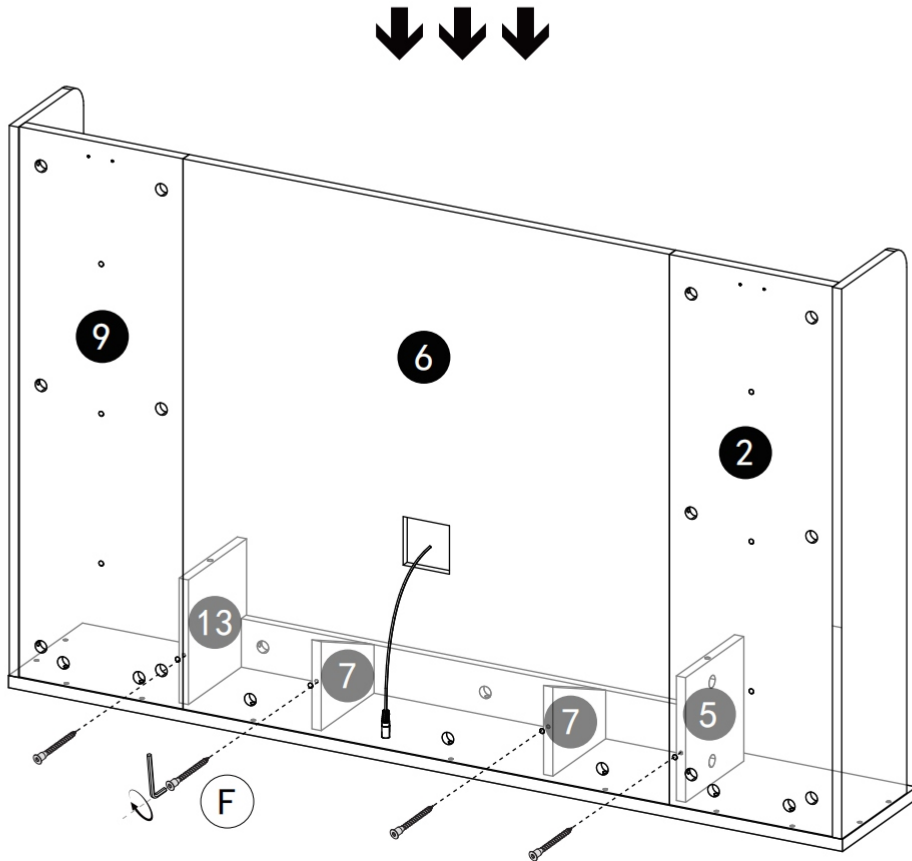
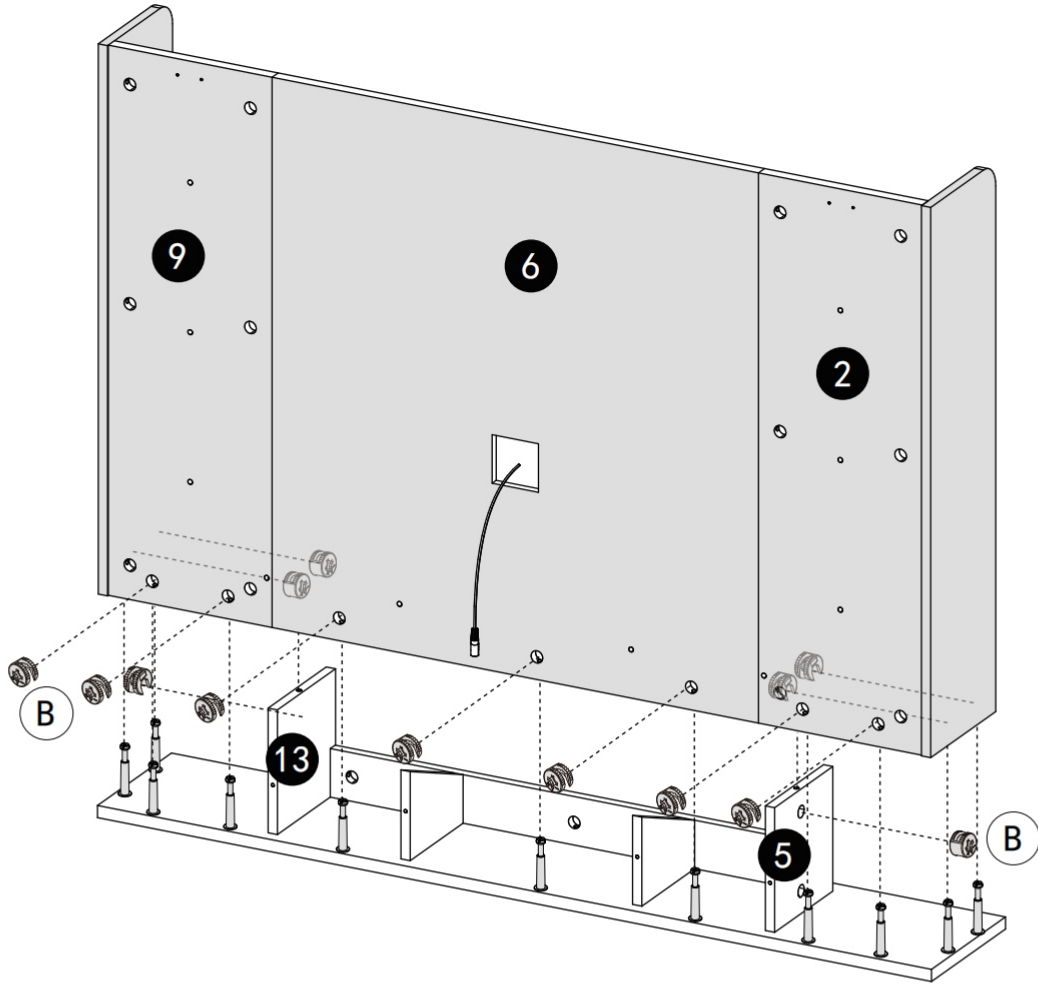




	A		x1
Q			x2
	B		x4



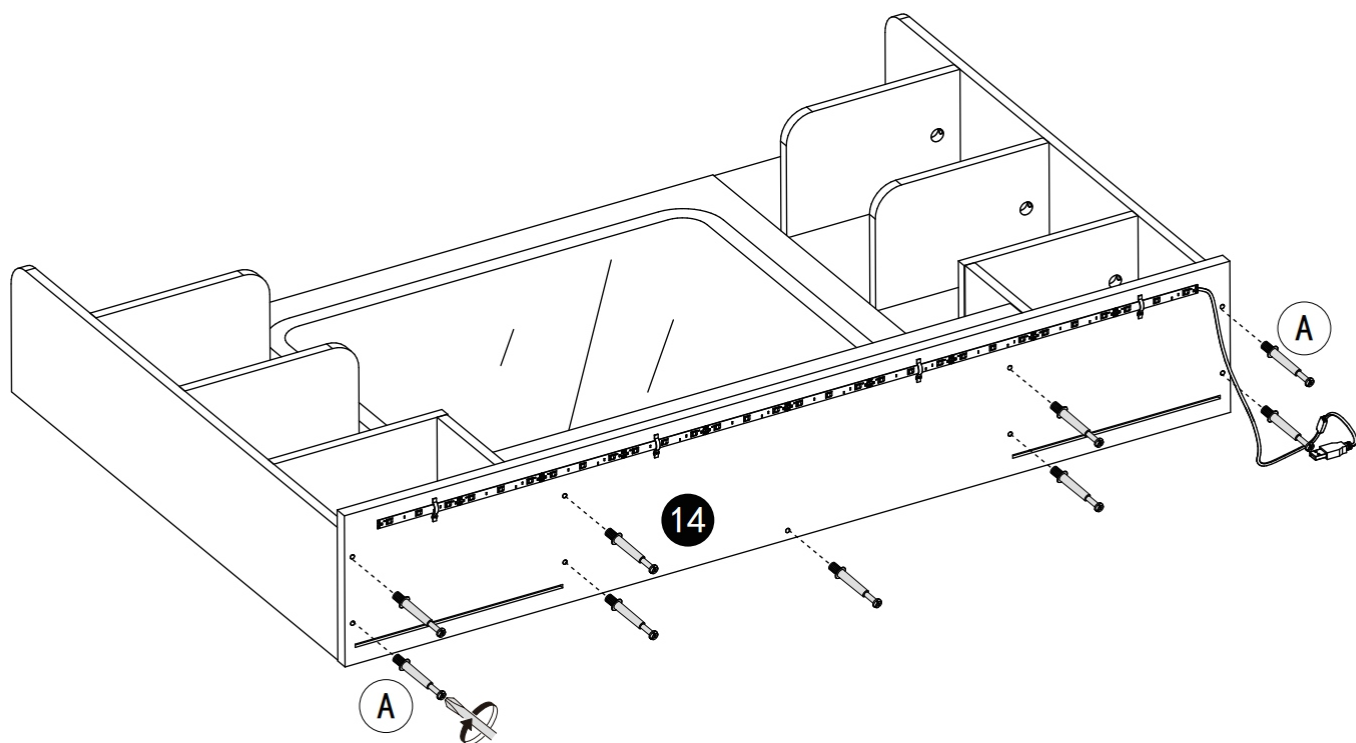
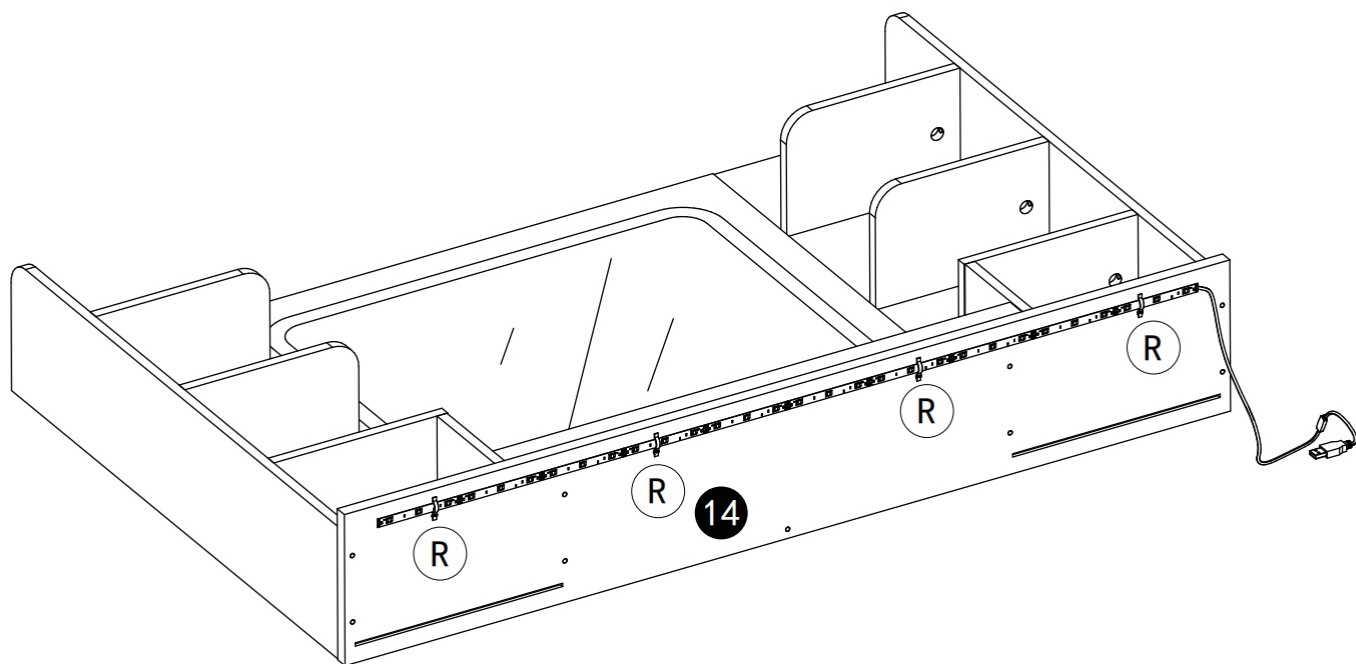
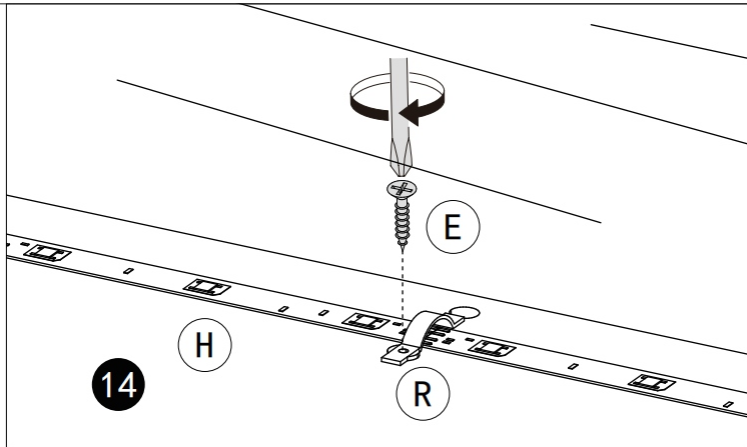
A		x15
B		x4

Q		x2
---	---	----

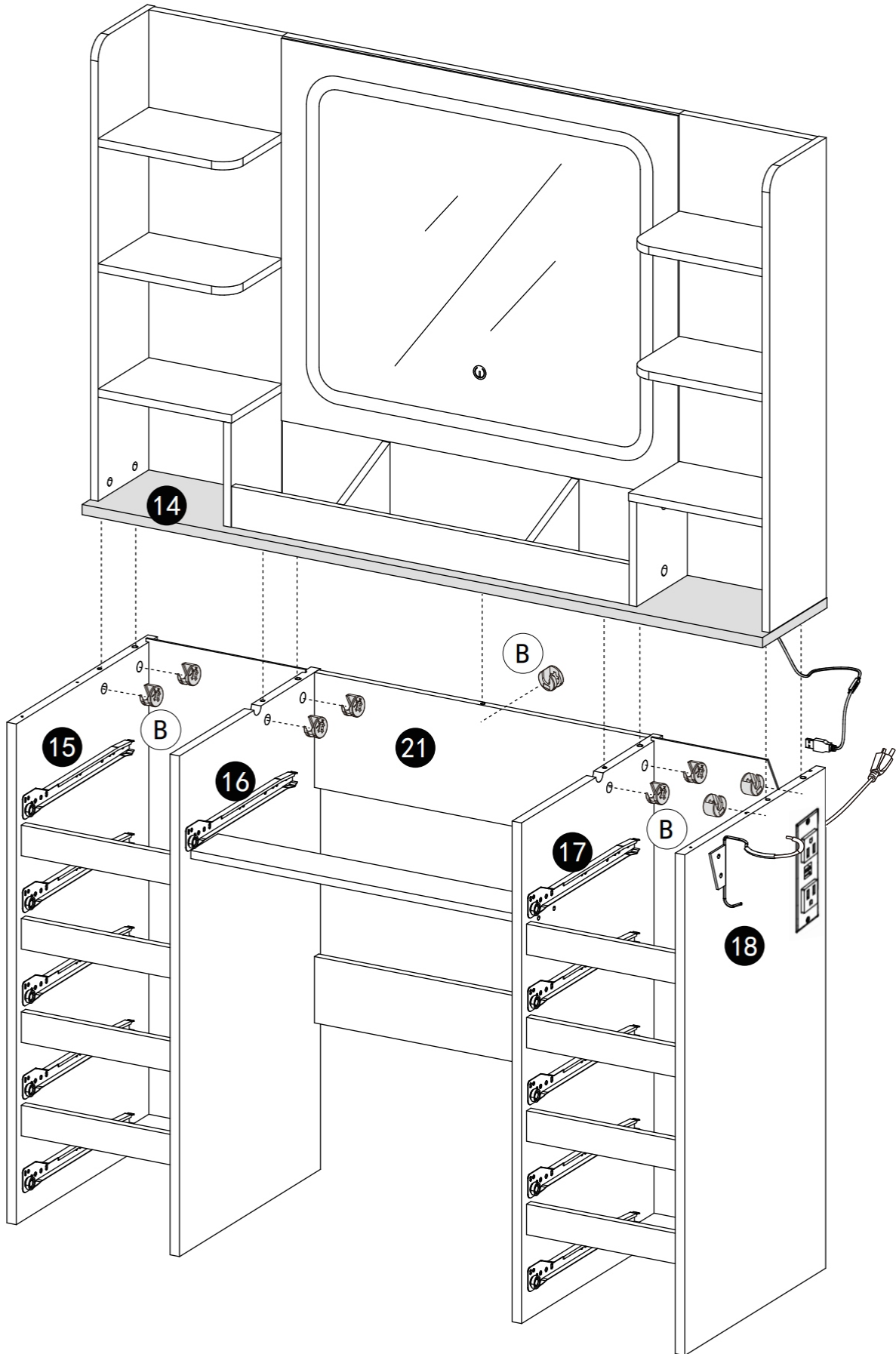


F		x4
B		x13

23



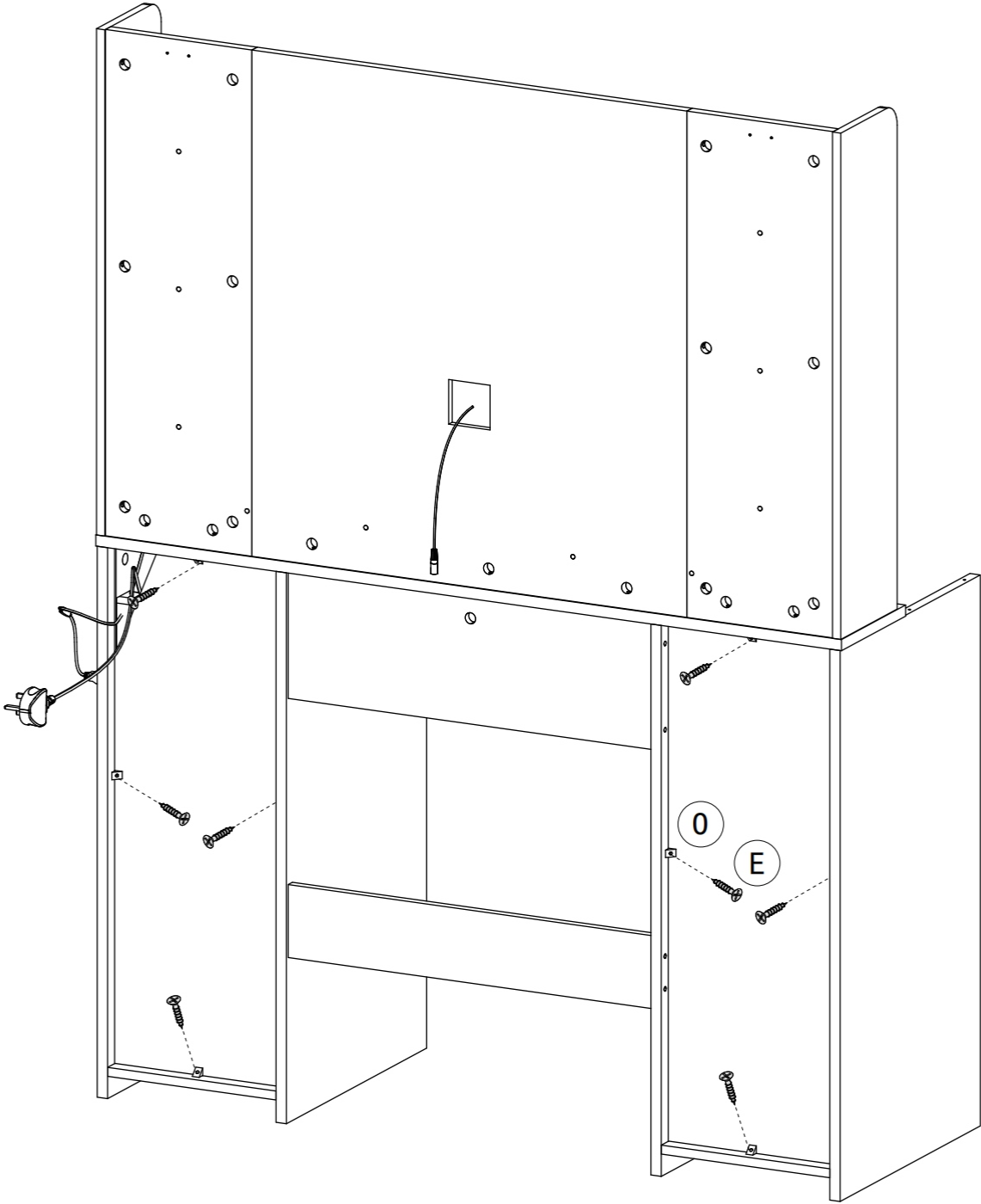
A		x9	E		x4
H		x1	R		x4



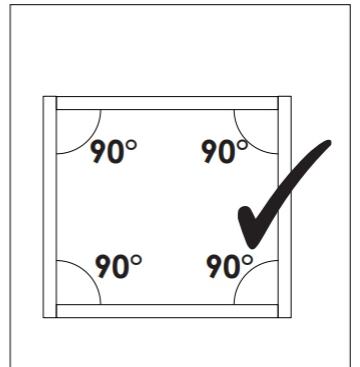
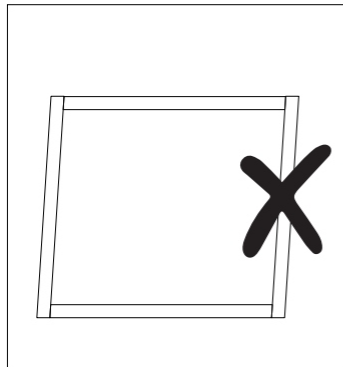
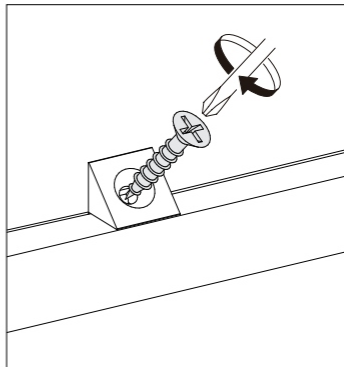
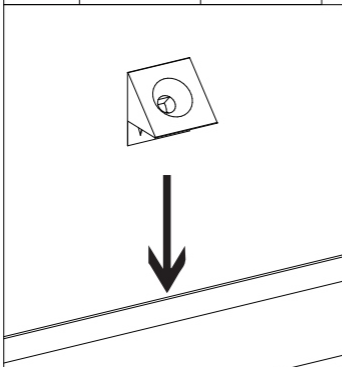
B

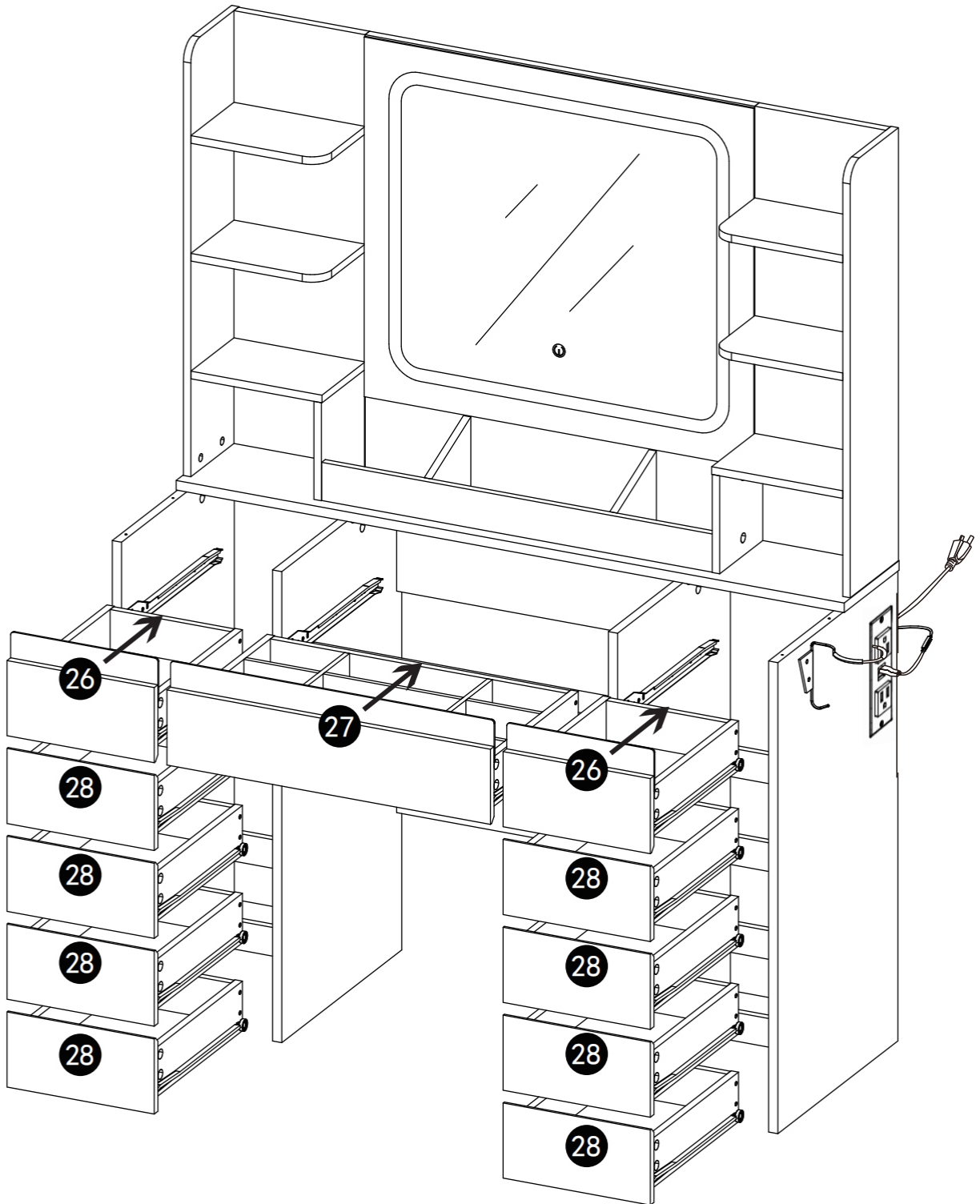
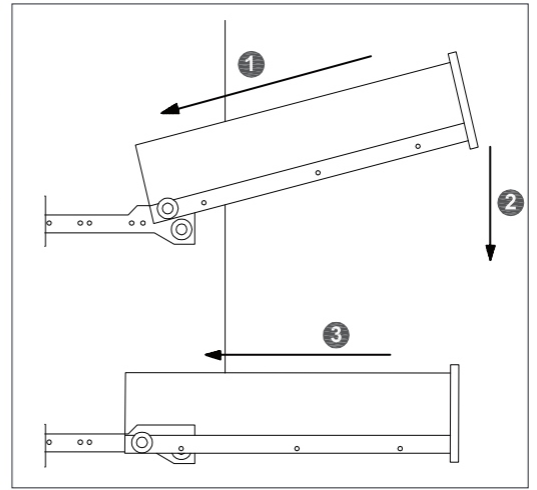
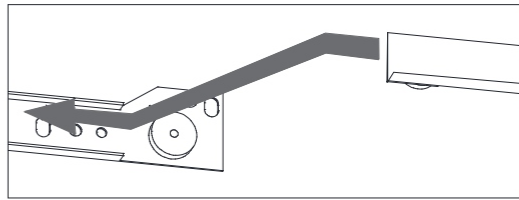


x9



O		x8
E		x8





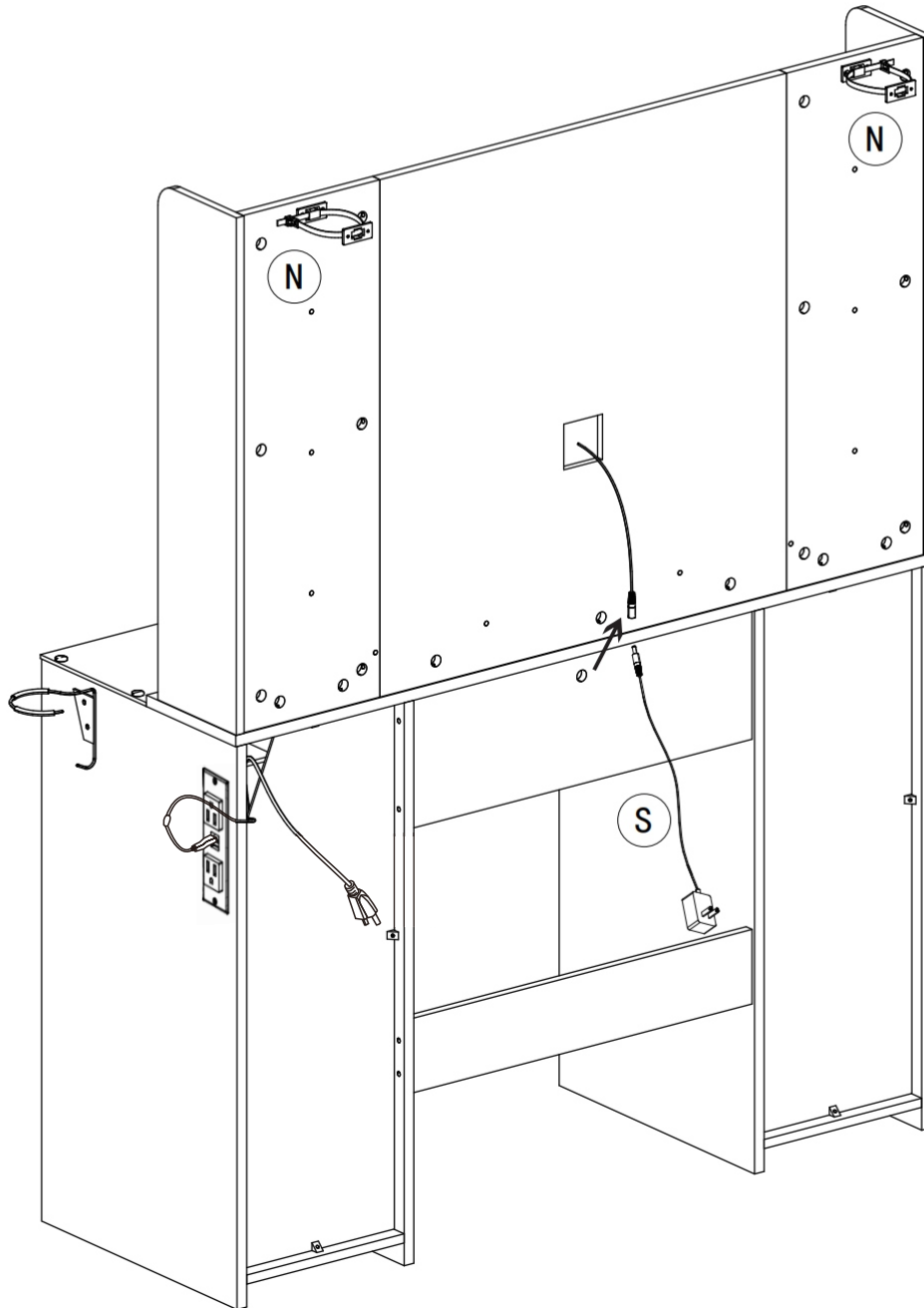
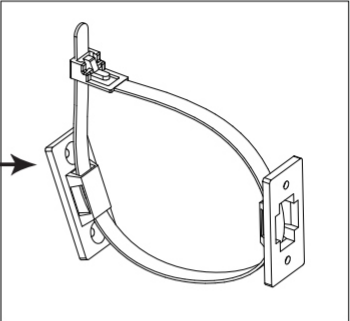
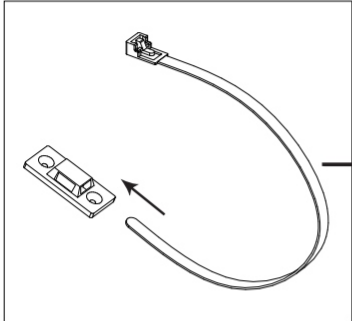
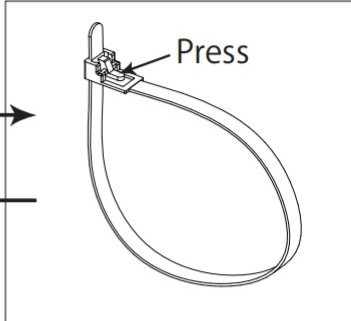
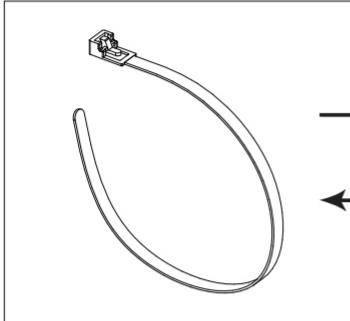
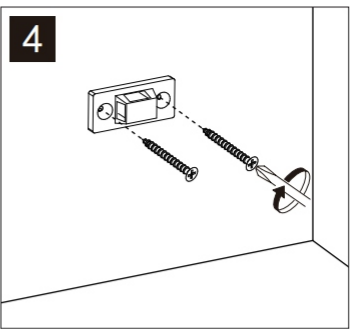
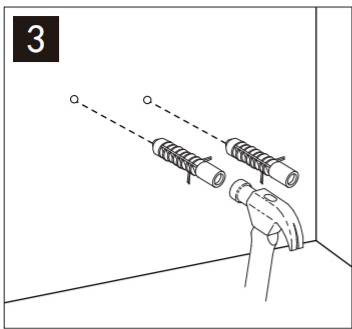
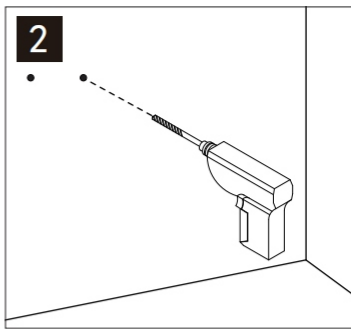
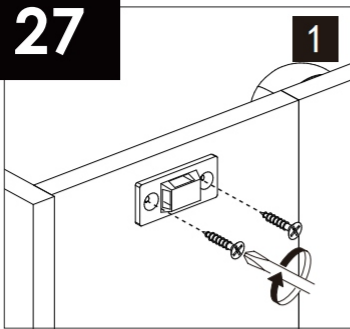
27

1

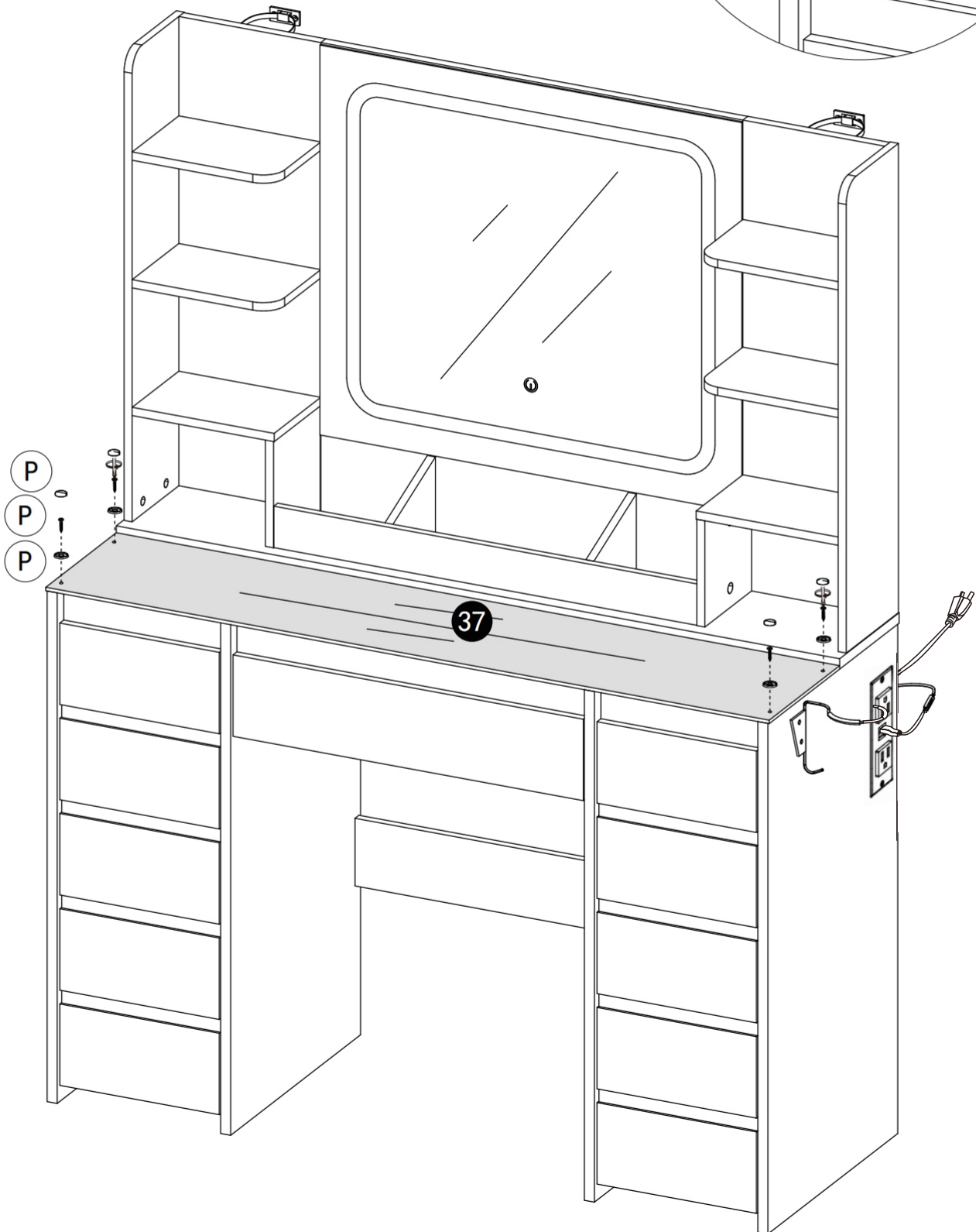
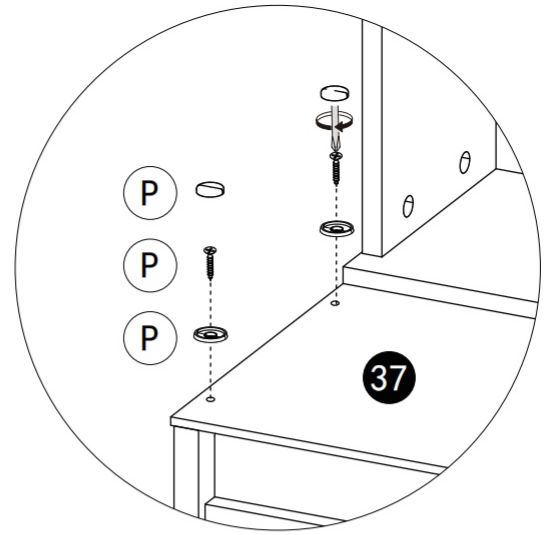
2

3

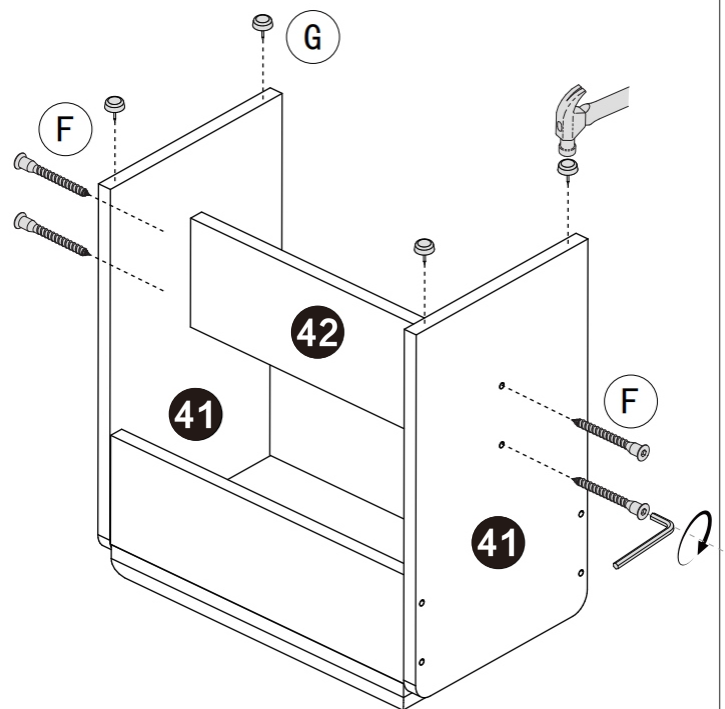
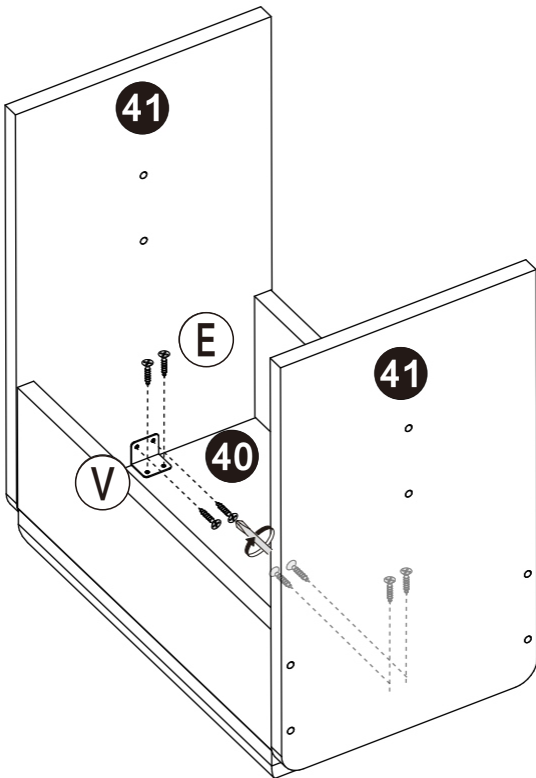
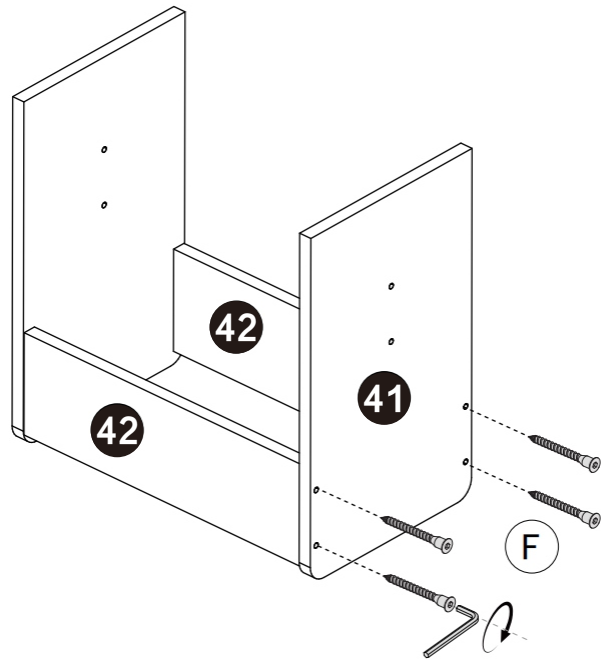
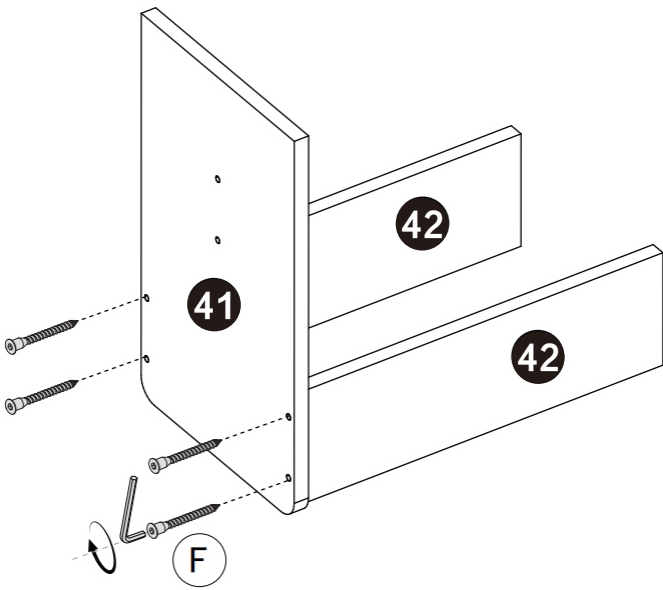
4



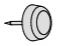



S		x1	N		x2
---	--	----	---	--	----

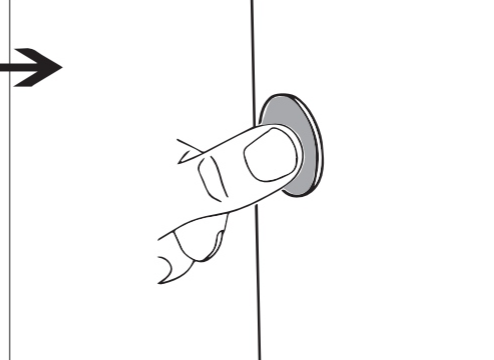
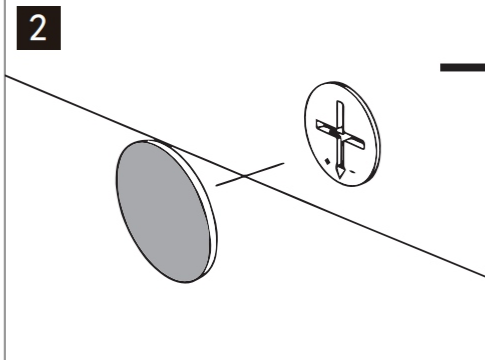
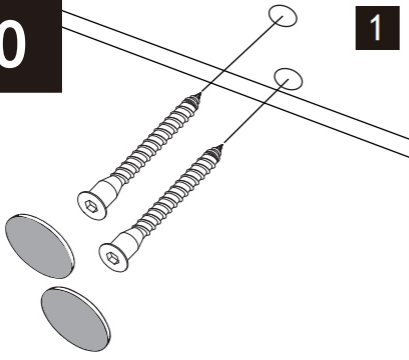


P   x4

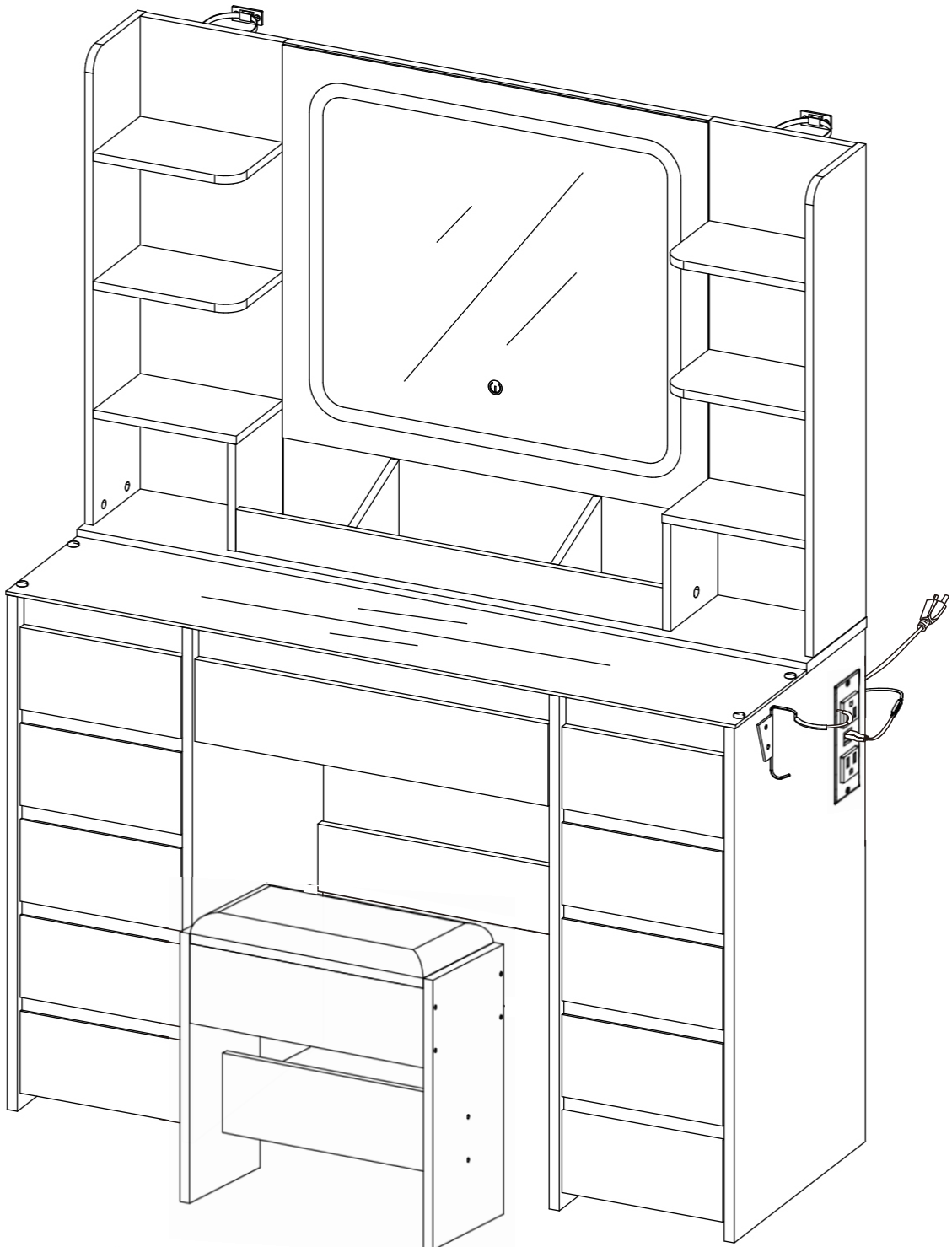


E		x8
V		x2
G		x4
F		x12

30



Add L fittings to all exposed holes on the front of the product



L  x10