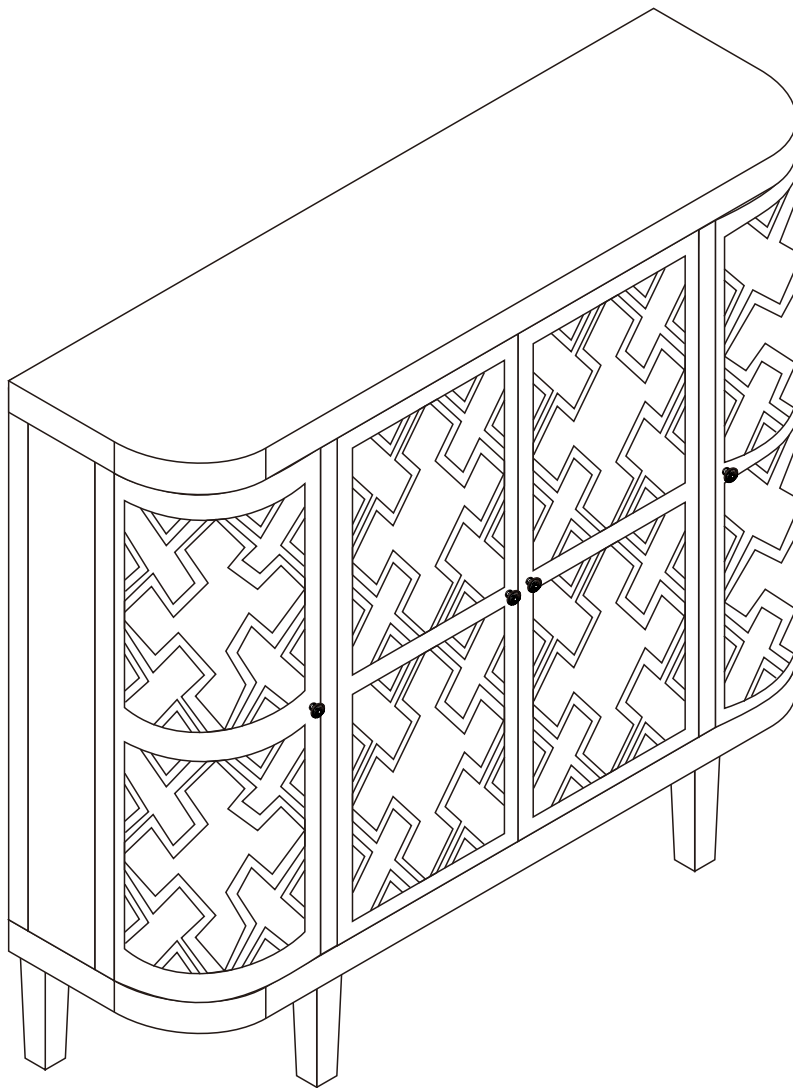


# Instruction Manual



# Instruction Manual













Please save this manual for future reference.

Thank you for purchasing this product. This product has been manufactured with the highest standards of safety and quality.

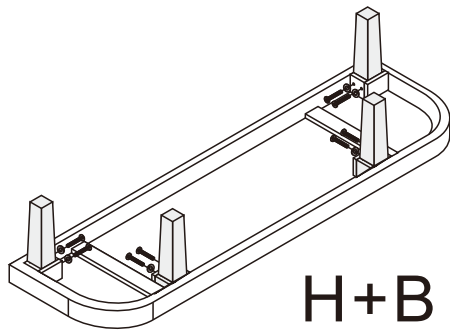
Product Name:	47 " Oval Storage Cabinet with 4 Doors
---------------	--

## Hardware contents:

### CONTENTS

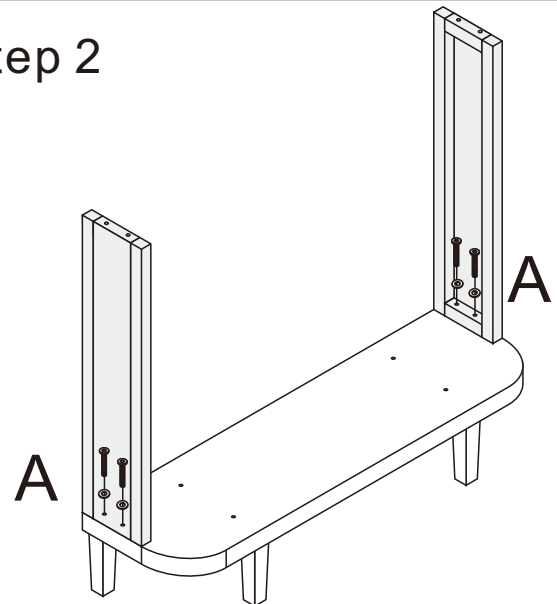
ID	DESCRIPTION	QTY	ID	DESCRIPTION	QTY
A	 8*40 Screws	12	B	 8*35 Screws	12
C	 8*45 Screws	4	D	 3.5*20 Screws	26
E	 4*30 Screws  4*40 Screws  Door Handle	4+2+2	F	 3*12 Screws 	4+8
G	 Allen Wrench	1	H	 Cabinet feet	4
I	 Allen Wrench	1			

## Step 1



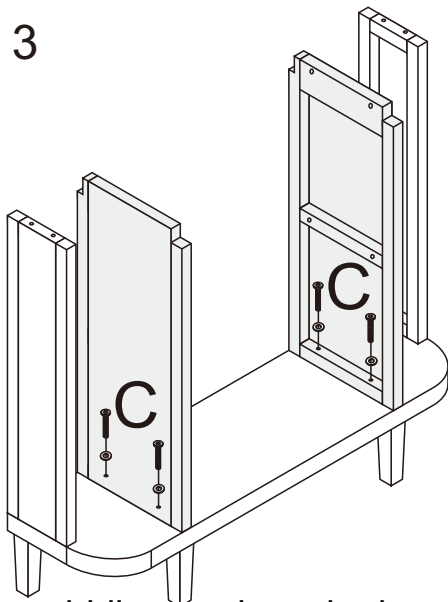
Insert and screw in the cabinet feet to the bottom board

## Step 2



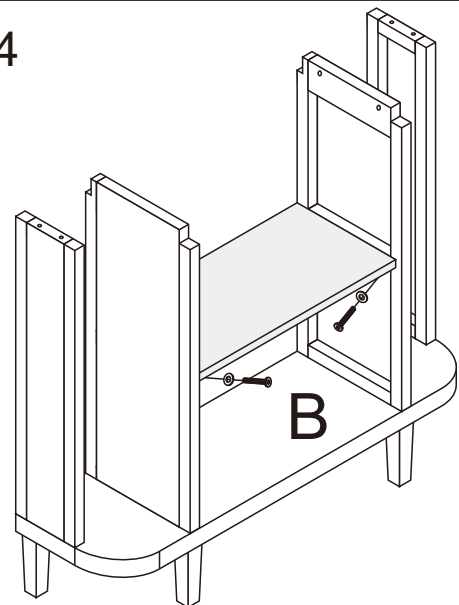
Insert side panels to the bottom. Align and tighten screws & washers by Allen Wrench

## Step 3



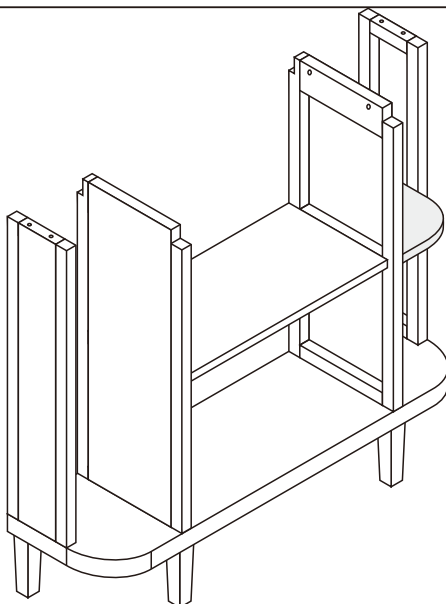
Insert middle panels to the bottom. Align and tighten screws & washers by Allen Wrench

## Step 4



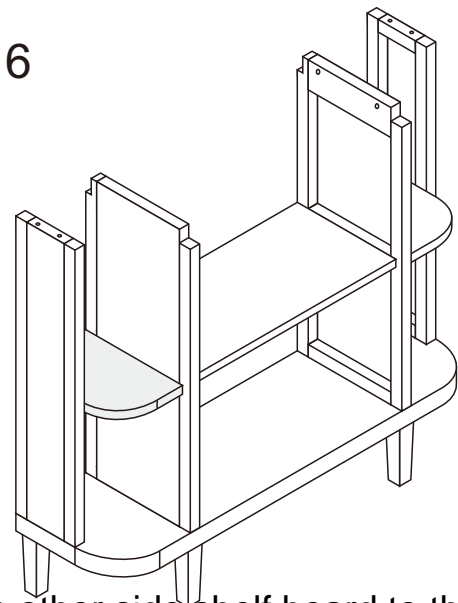
Insert the mid shelf board to the mid panels. Align and tighten screws & washers by Allen Wrench

## Step 5



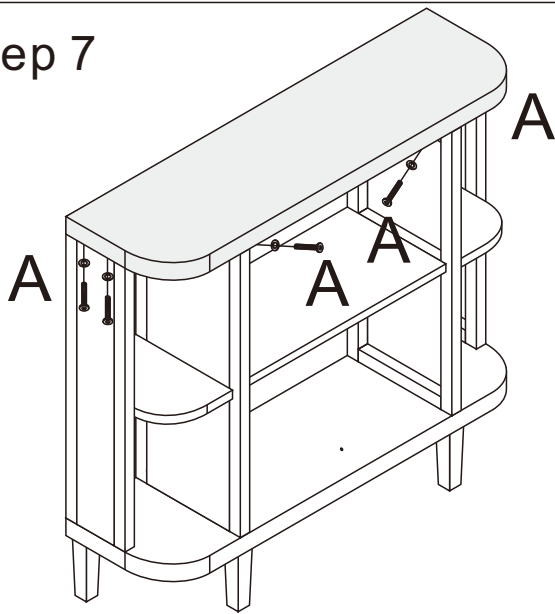
Insert the side shelf board to the panels. Align and tighten screws & washers by Allen Wrench

## Step 6



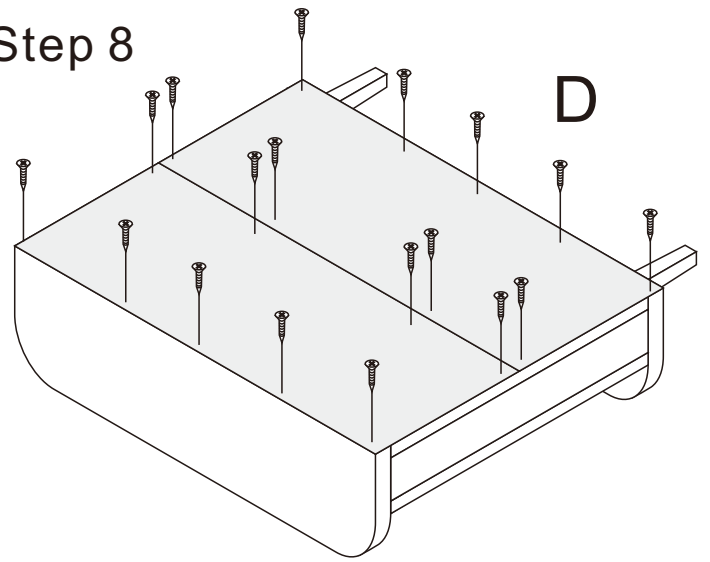
Insert the other side shelf board to the panels. Align and tighten screws & washers by Allen Wrench

### Step 7



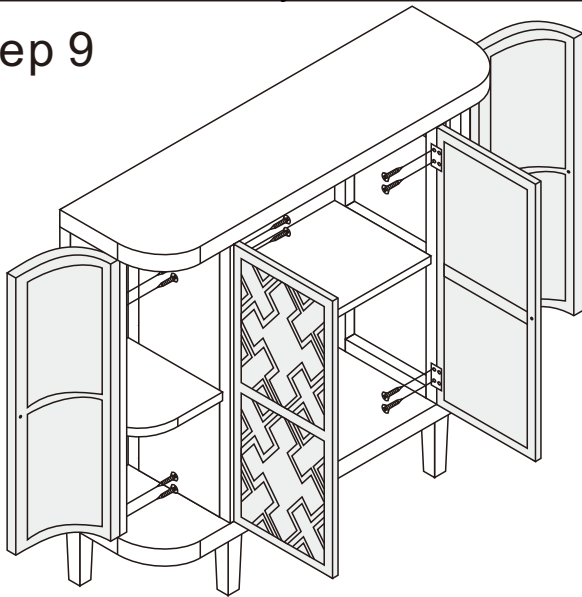
Insert and attach the top. Align and tighten screws & washers by Allen Wrench

### Step 8



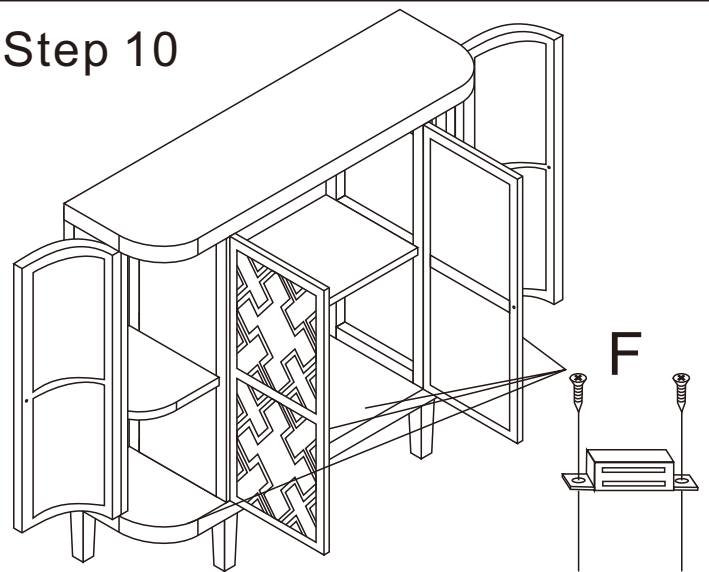
Align back panel and screw in by screw driver.

### Step 9



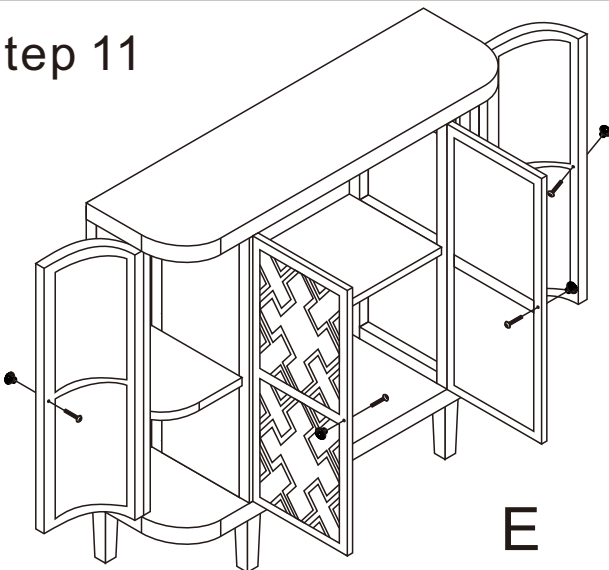
Install the doors by screw in to the panel with screw driver.

### Step 10



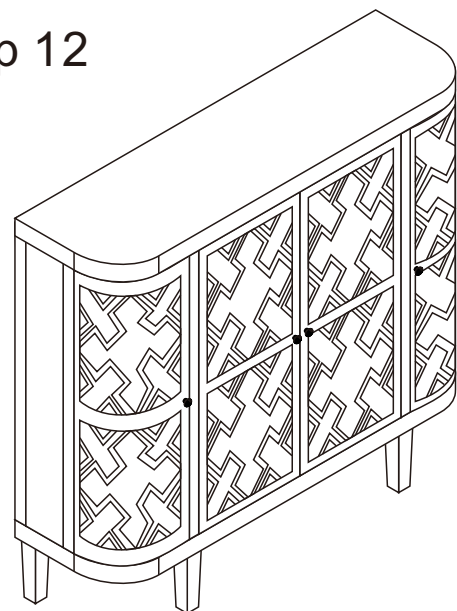
Install the Magnetic door touch and screw in.

### Step 11



Install the handles of the doors by screw driver.

### Step 12



You can enjoy this wonderful cabinet now.

### Important:

Tighten each bolt nuts firmly. DO NOT over tighten any of the bolt nuts as this may strip the screws. DO NOT sit or stand on the table as this may damage the product and cause serious bodily injury.