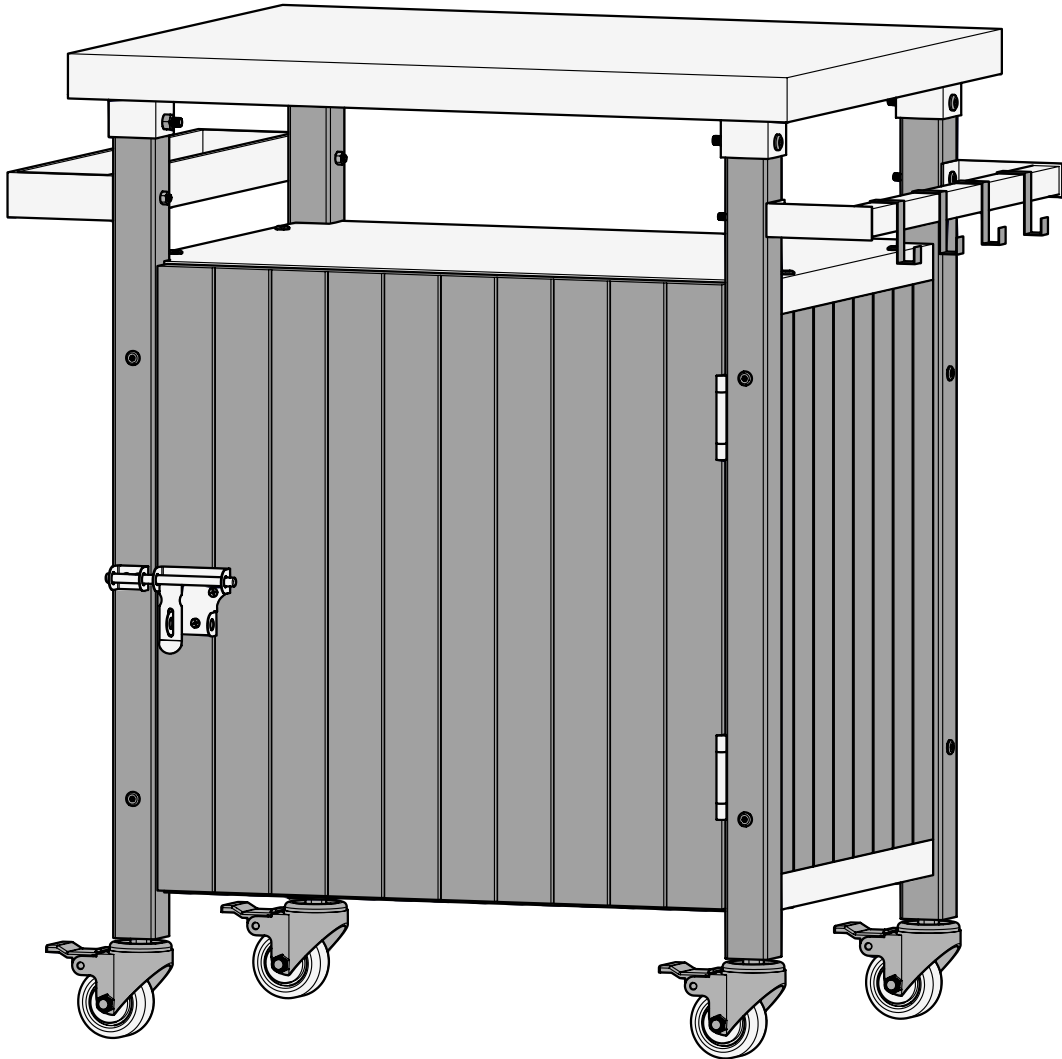


GRILL CART SMALL

ASSEMBLY MANUAL



SAFETY

Please read and follow these important safety guidelines before assembling your grill cart: Read all instructions carefully before starting assembly. Familiarize yourself with the parts and steps to ensure a smooth process.

Keep children and pets away from the assembly area to prevent accidents and injuries.

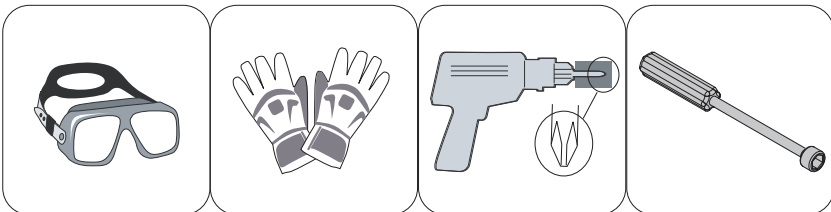
Use caution when handling metal parts to avoid cuts or scrapes. Wear work gloves if necessary.

When using a screwdriver or power tool:

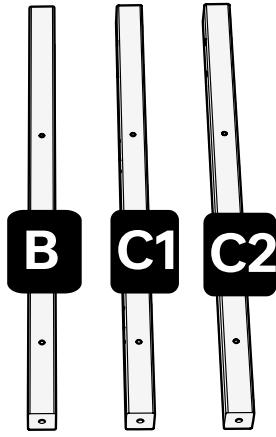
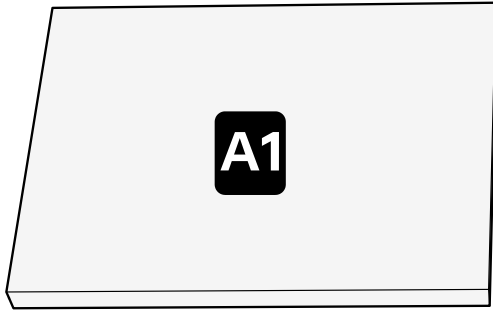
1. Choose the correct size and type for each screw.
2. Maintain a firm grip to prevent slipping.
3. Avoid over-tightening, which may damage parts or strip screws.

After assembly, double-check all connections to ensure they are secure before using the grill cart.

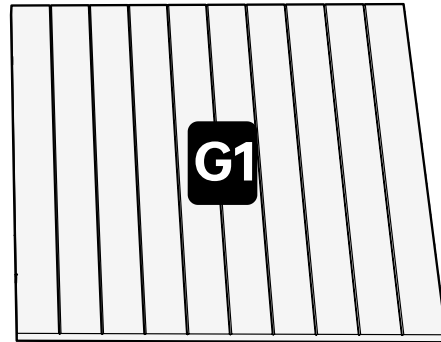
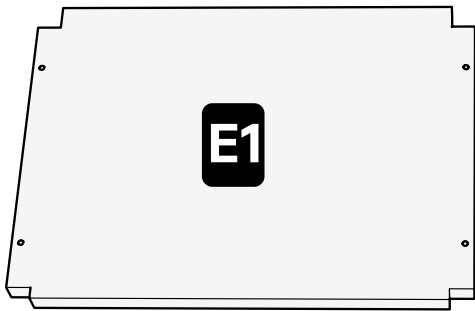
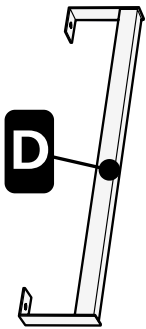
TOOLS



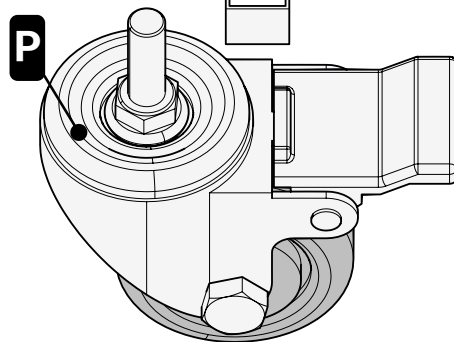
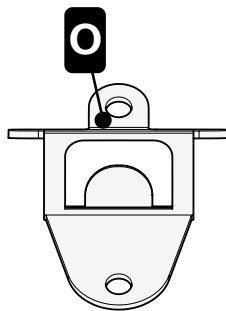
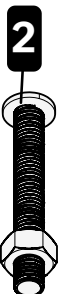
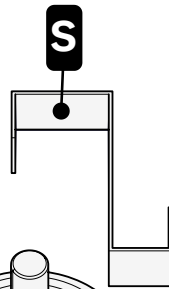
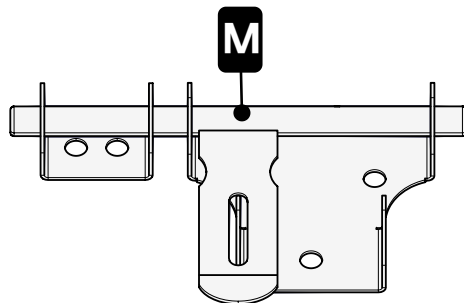
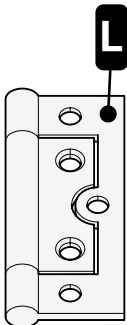
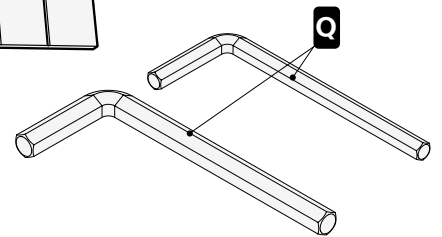
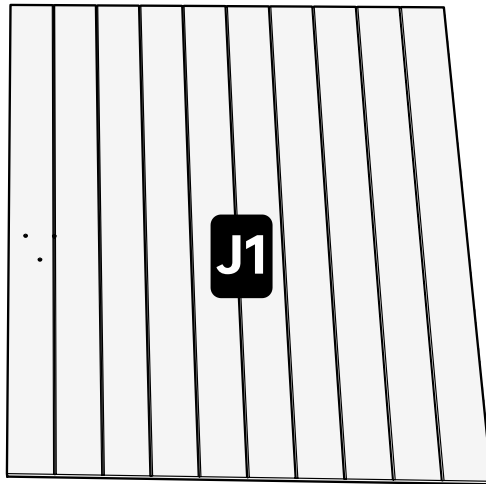
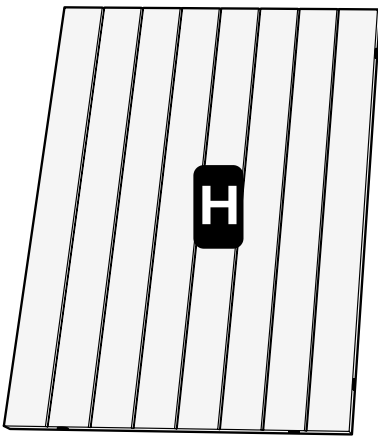
PART LIST



Part	Qty
A1	1
B	2
C1	1
C2	1
D	1
E1	2
G1	1
H	2
I	1
J1	1

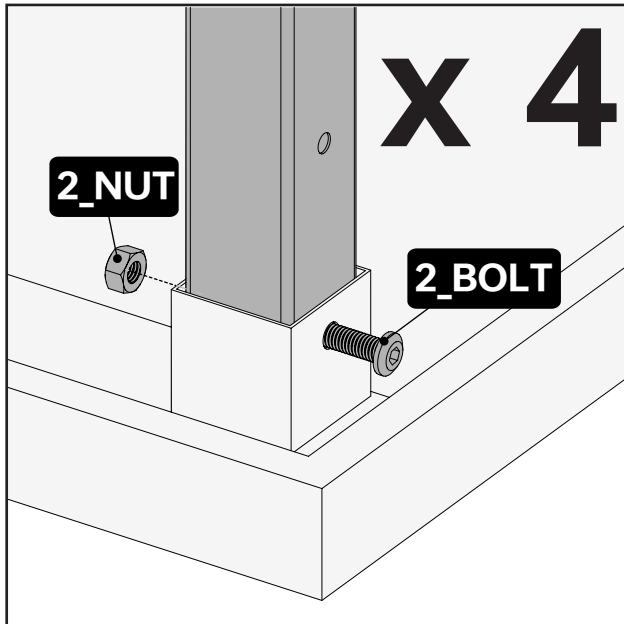
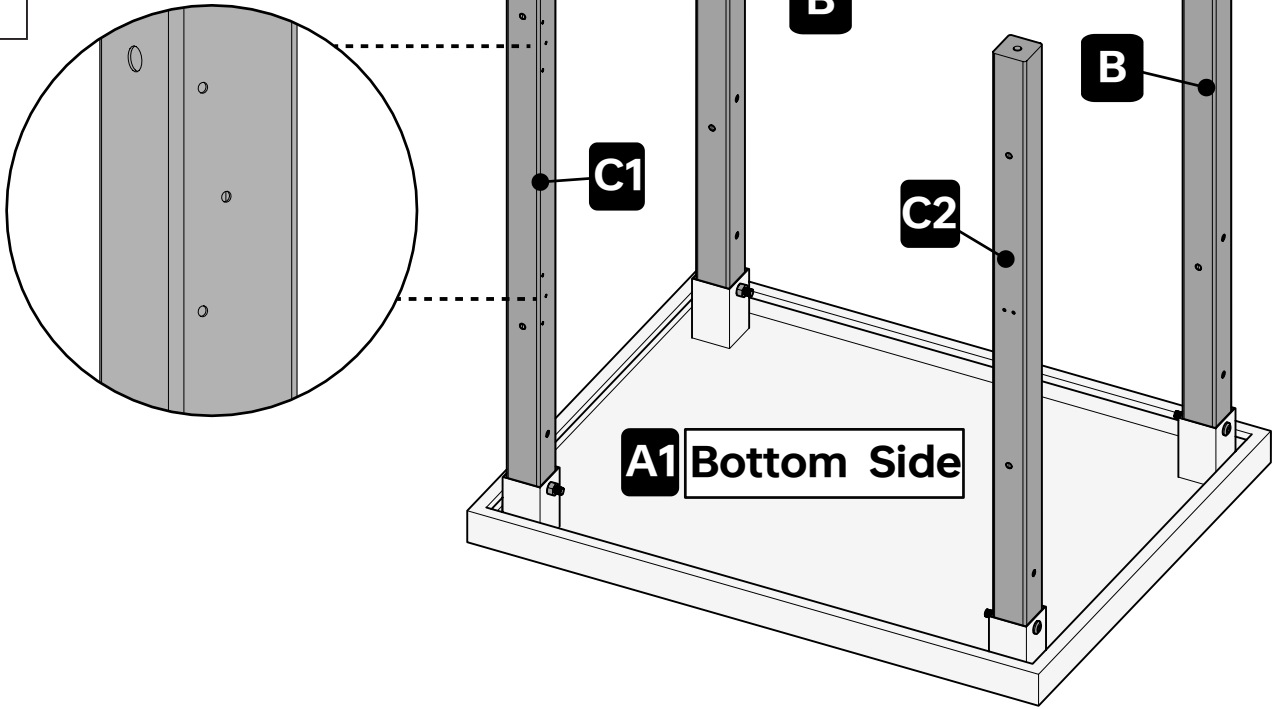


Part	Qty
L	2
M	1
O	1
P	4
Q	1
S	4
1	15
2	4
3	4
4	24
6	2



1

Part	Qty
2	4
A1	1
B	2
C1	1
C2	1



NOTE:

B pieces are symmetrical, while C1C2 pieces are not.

ORIENTING C FRAMES (IMPORTANT)

CAUTION: The C1C2 frames must be oriented correctly for proper hinge installation.

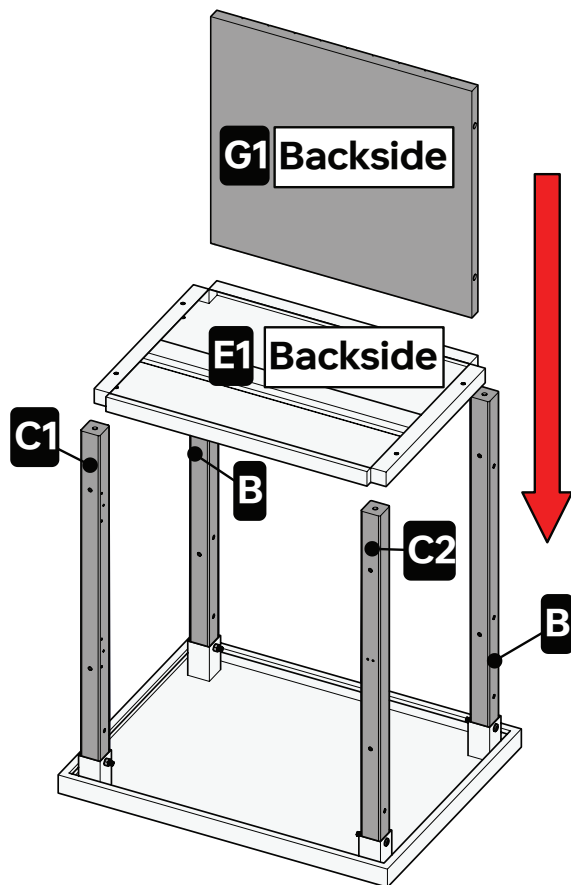
C1 frame has two sets of smaller screw holes, with three holes in each set.

These holes are for hinge attachment.

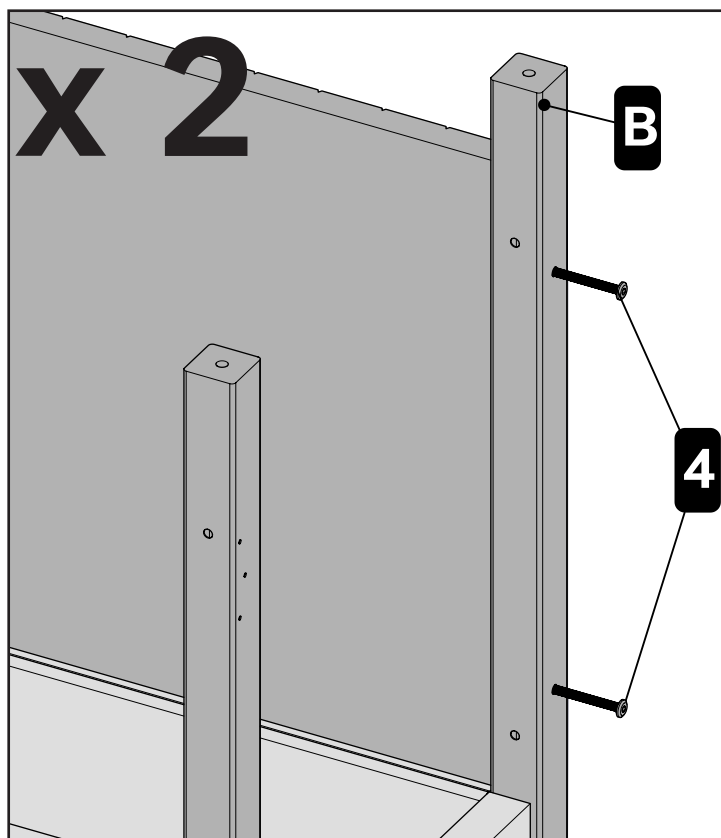
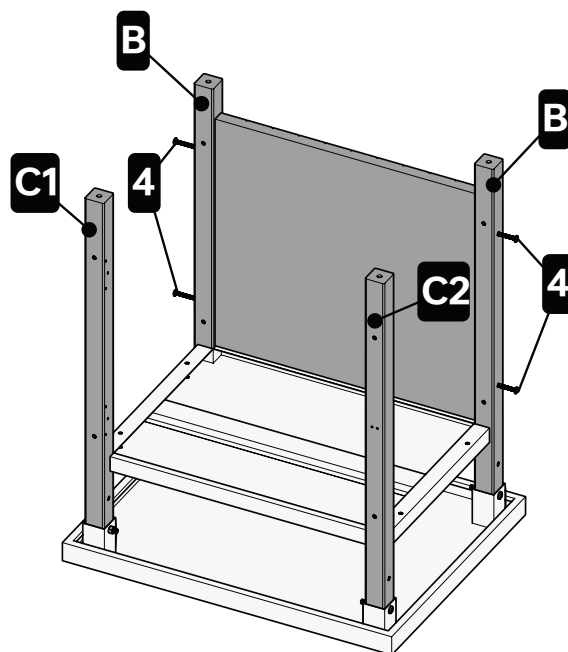
Refer to the detailed diagram for correct orientation.

IMPORTANT: LEAVE BOLTS LOOSE AT THIS STAGE!

Additional Parts will be installed between frames B and C1C2 in later steps.



Part	Qty
4	4
E1	1
G1	1

**NOTE:**

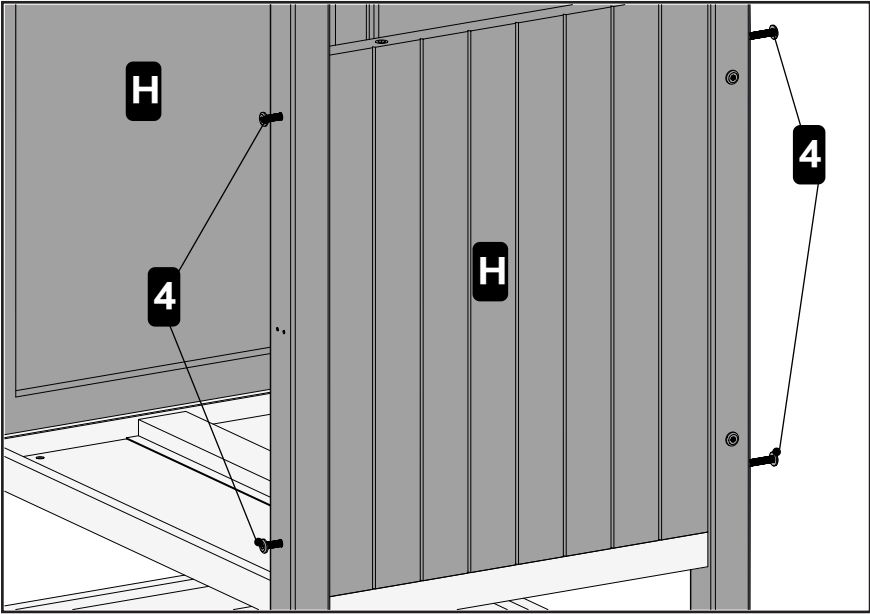
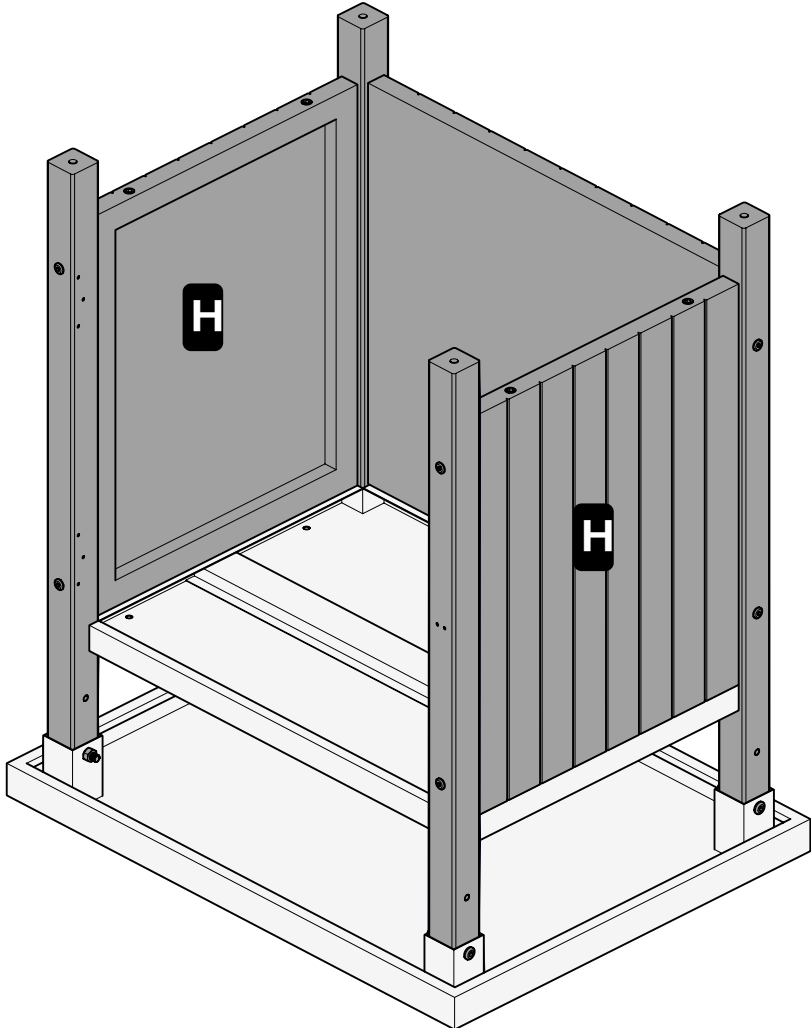
Gently slide Part E1 and G1 between frames B and C1C2.

IMPORTANT NOTE:

After installation, Part E1 will be loose and can move up and down. This is normal and expected. Part E1 will be secured in a later assembly step.

You may now fully tighten the bolts (Part #2) on frame B. However, keep the bolts on frame C1C2 loose for now, as they will be tightened in a later step.

Part	Qty
4	8
H	2

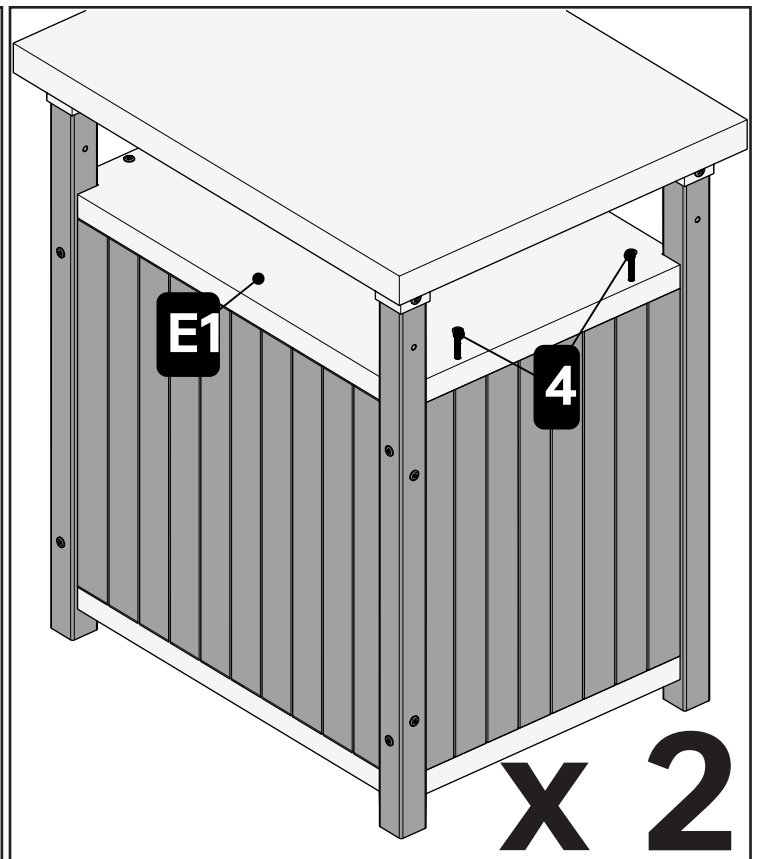
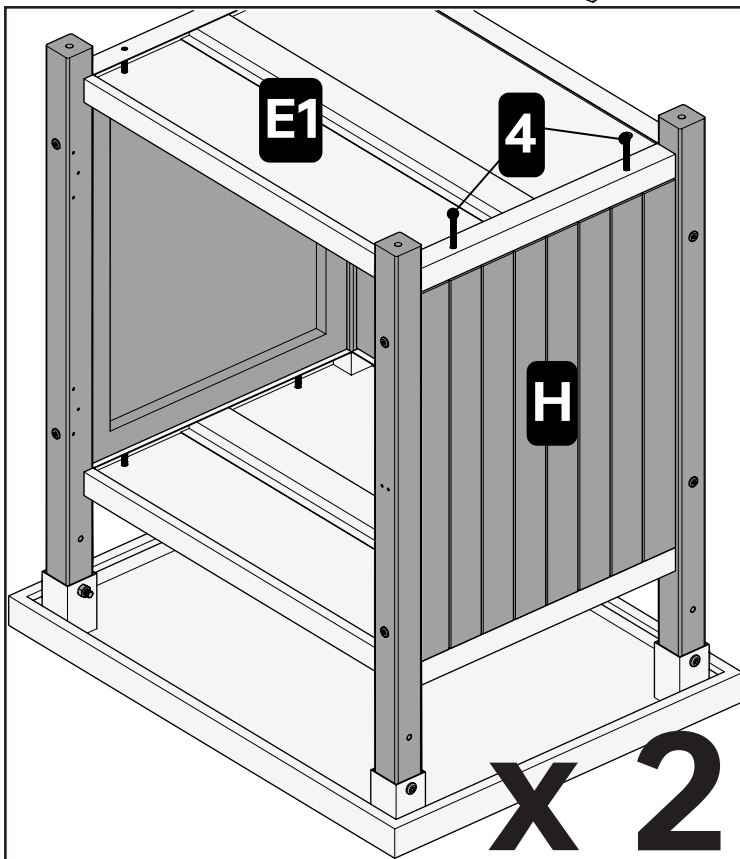
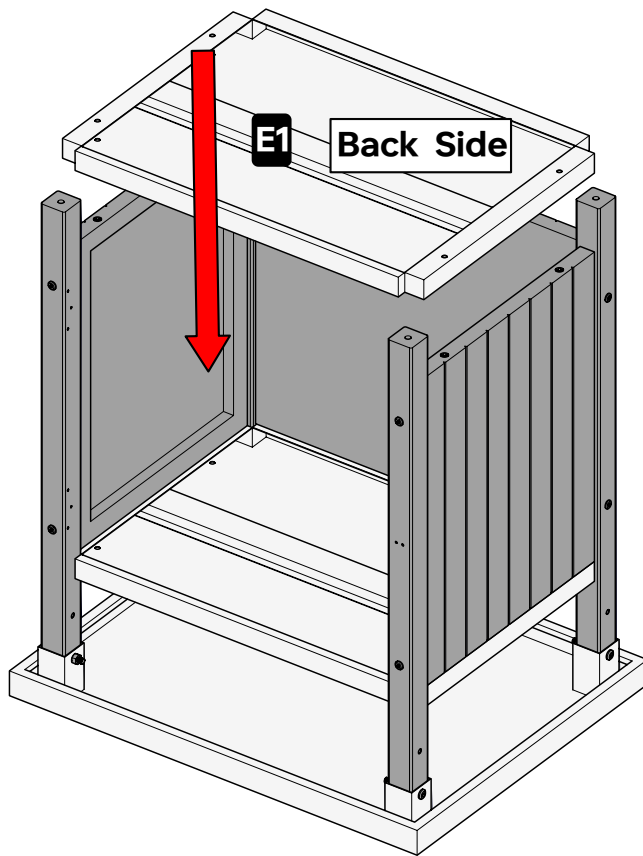


NOTE:
 In this step, slide two Part H Parts between frame B and frame C1C2, similar to the previous step.

Once Part H Parts are in place, you can now fully tighten the bolts (Part #2) on frame C1C2. Ensure all Part H Parts are properly positioned before tightening.

x 2

Part	Qty
4	8
E1	1

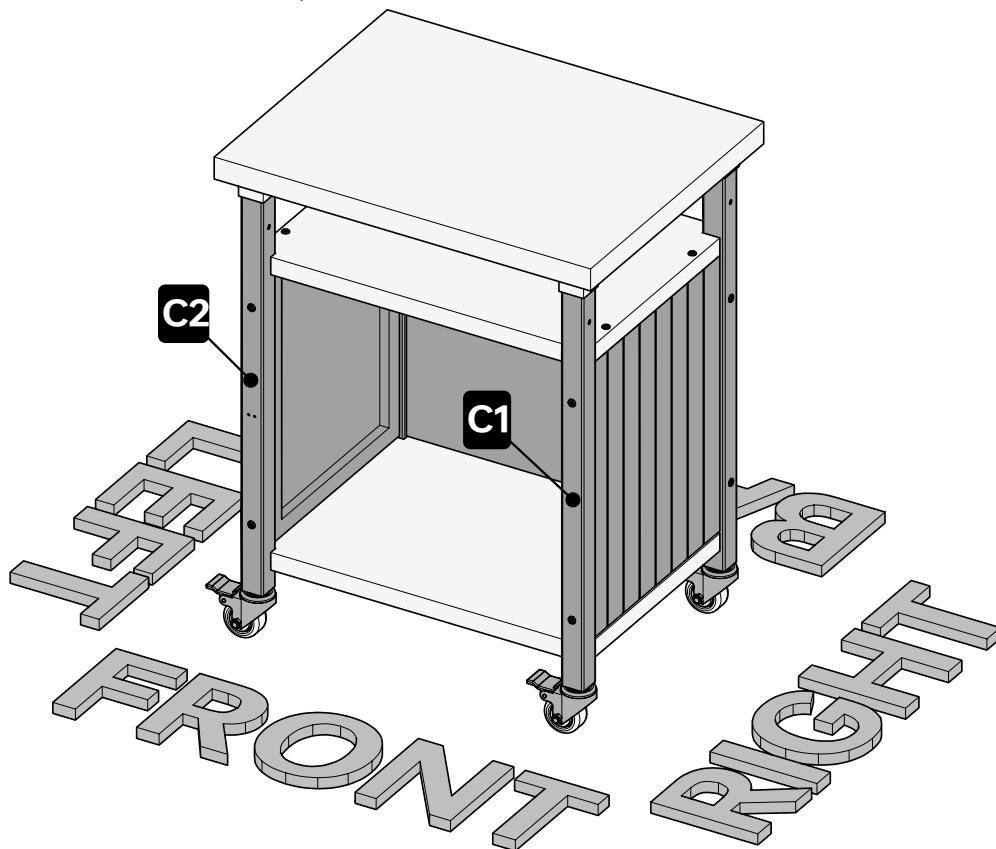
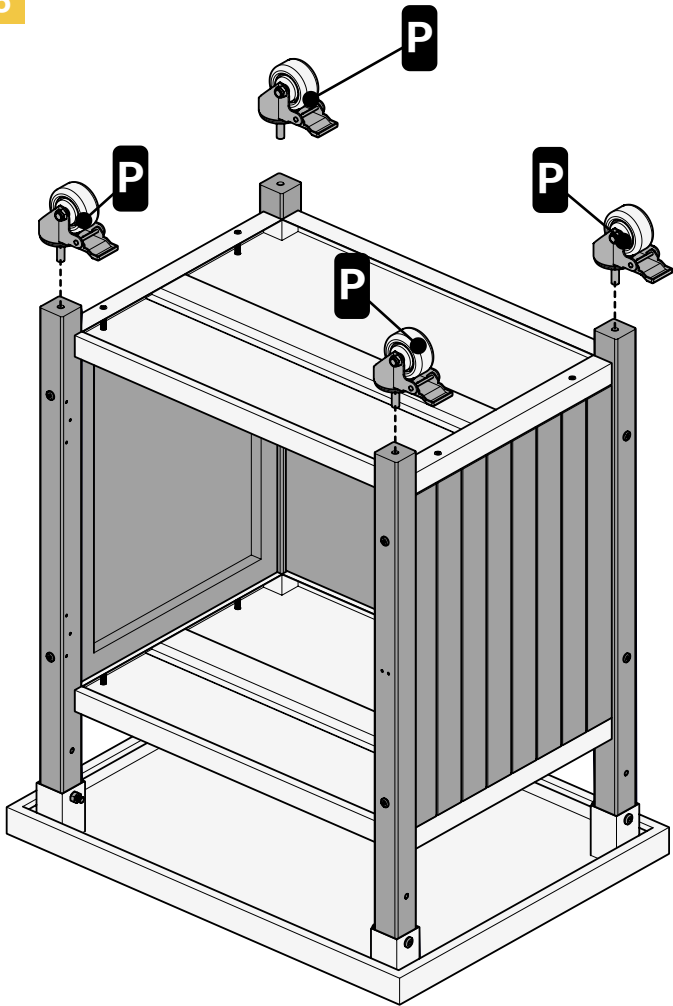
**NOTE:**

Slide Part E1 between frame B and frame C1C2. Secure Part E1 to Part H using bolts (Part #4).

Then, locate Part E1 (inserted in Step 2) and secure it to Part H using the same bolts (Part #4). Ensure all connections are properly aligned before tightening.

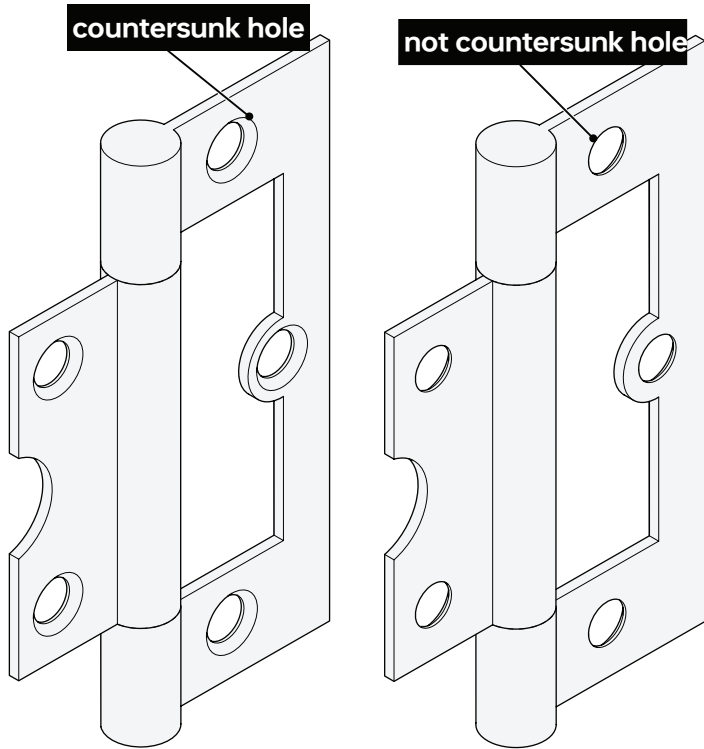
If you experience difficulty assembling the bottom Part E1, you may flip the grill cart over to make the assembly easier.

Part	Qty
P	4

**NOTE:**

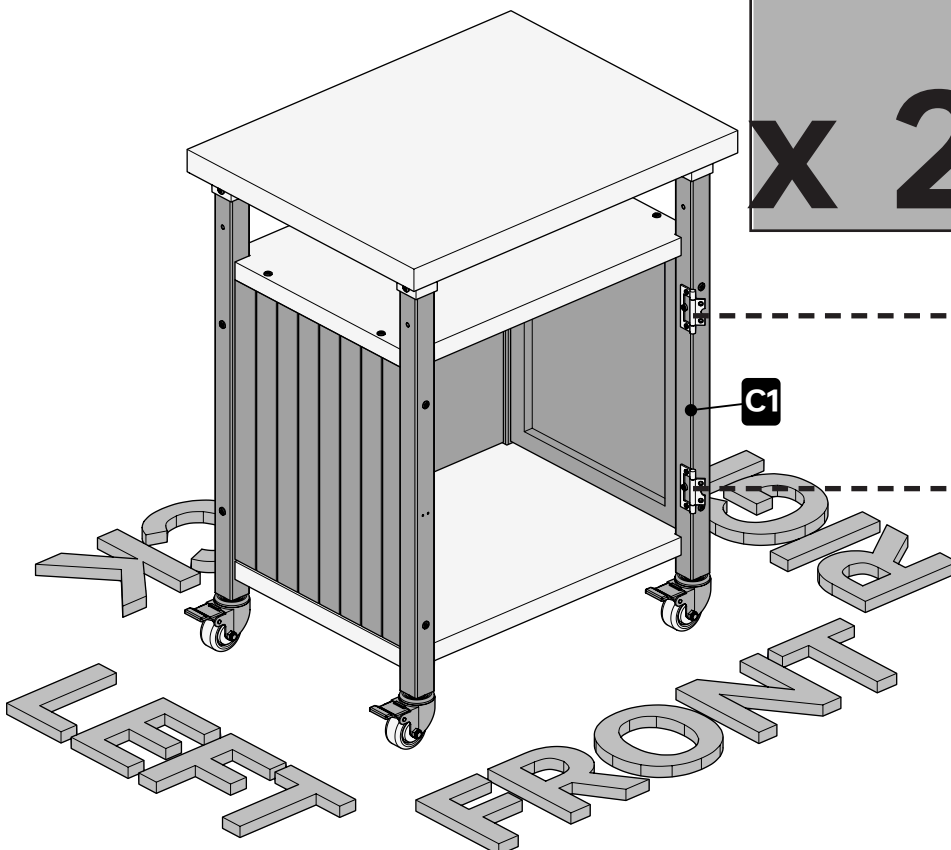
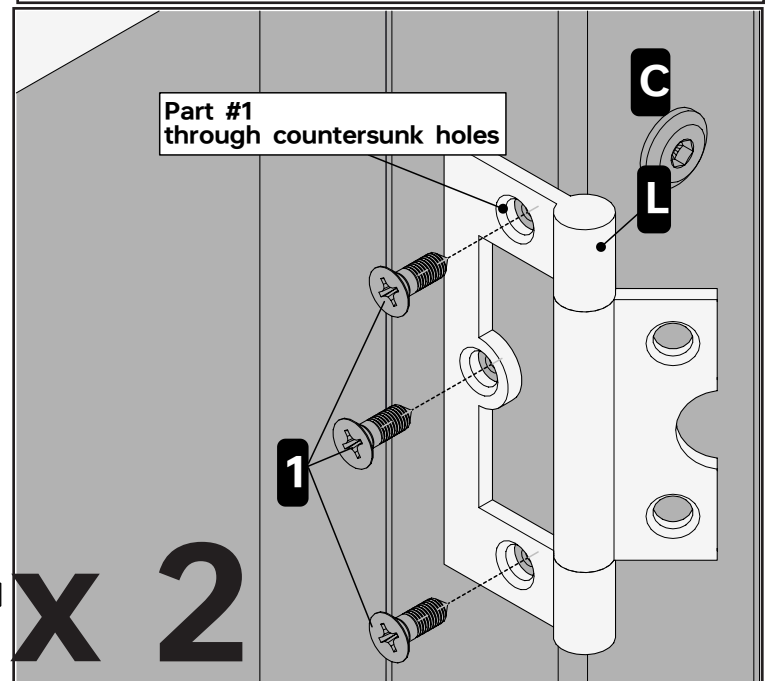
Once all four castors are securely installed, carefully flip the entire grill cart over..

Part	Qty
1	6
L	2

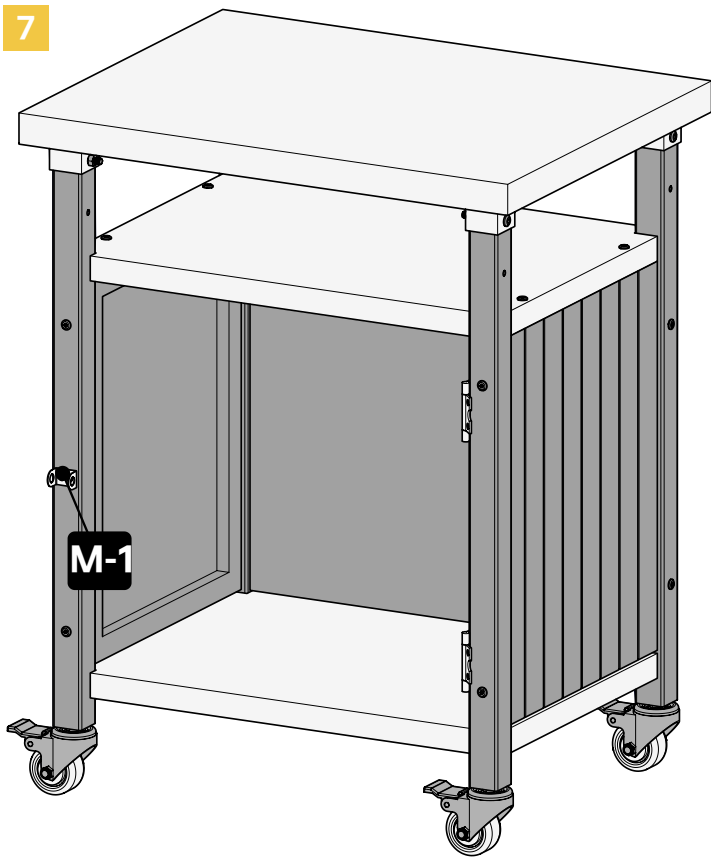
**NOTE:**

In this step, attach two sets of hinges to frame C1. Important:

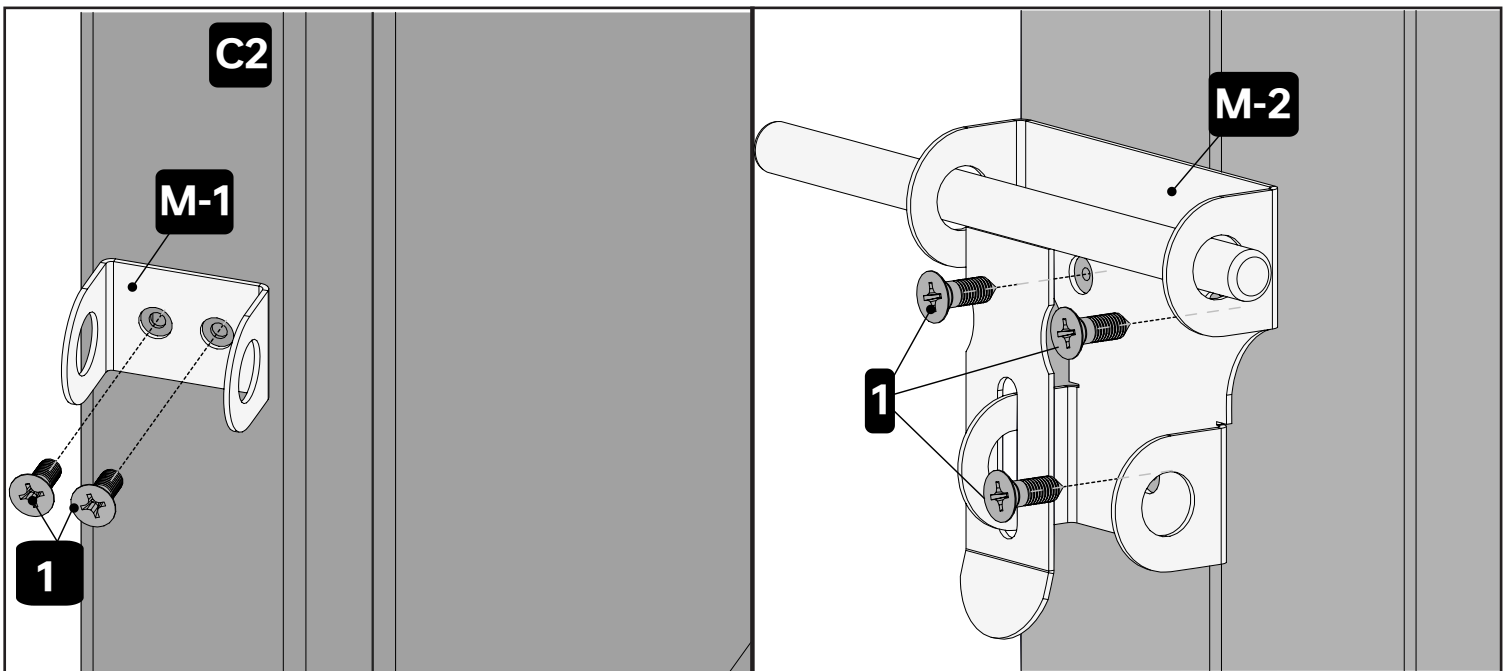
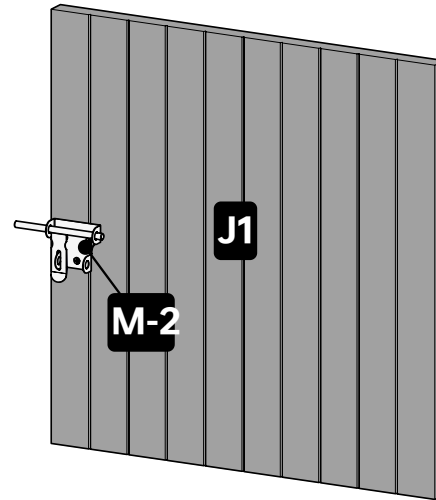
1. Unfold each hinge before installation.
2. Use three Part #1 screws per hinge.
3. Hinge L has two sides: one with countersunk holes, one without.
4. When attaching L to frame C1, ensure screws go through the side with countersunk holes.



7

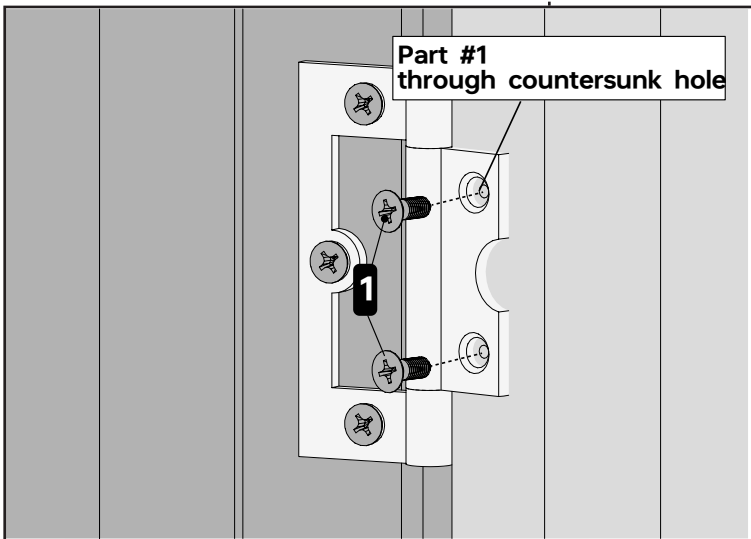
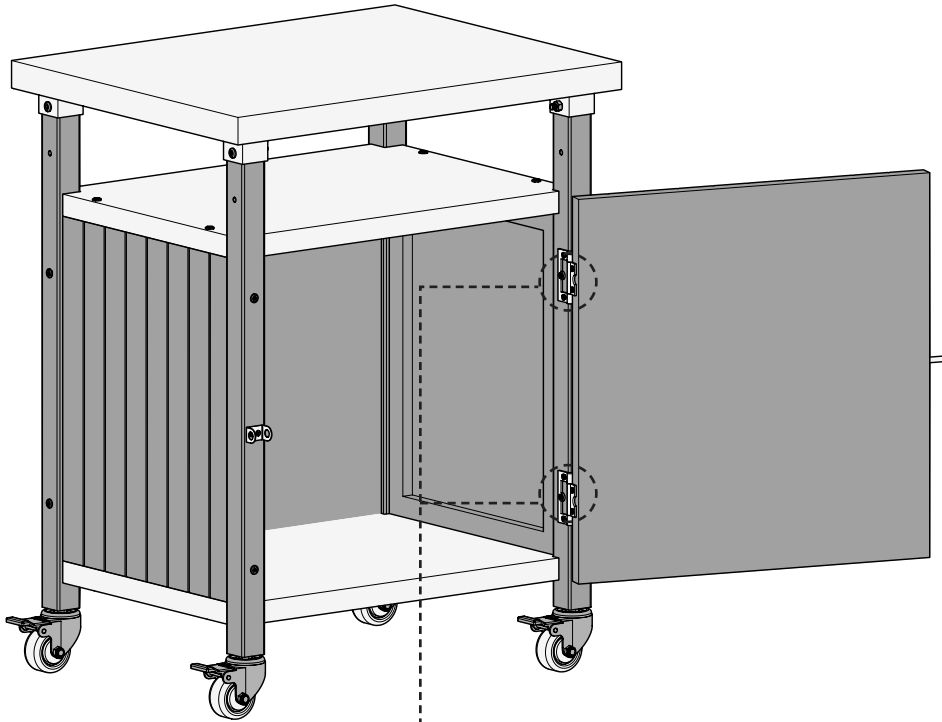


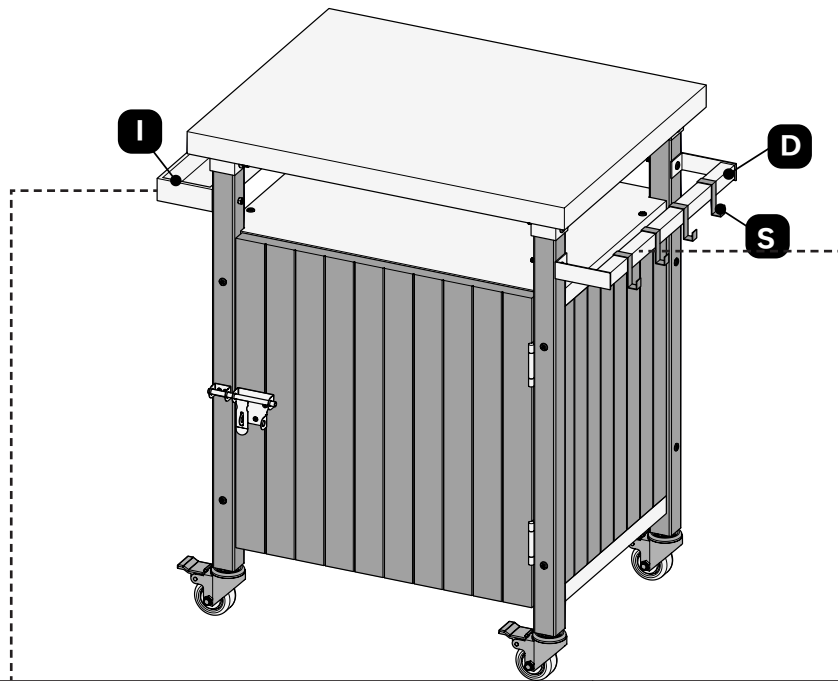
Part	Qty
1	5
J1	1
M-1	1
M-2	1

**NOTE:**

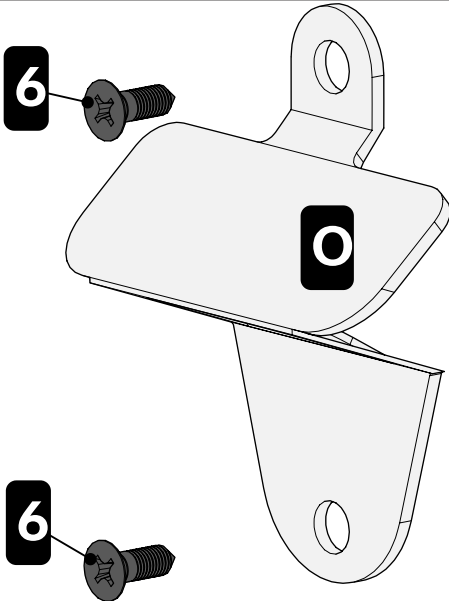
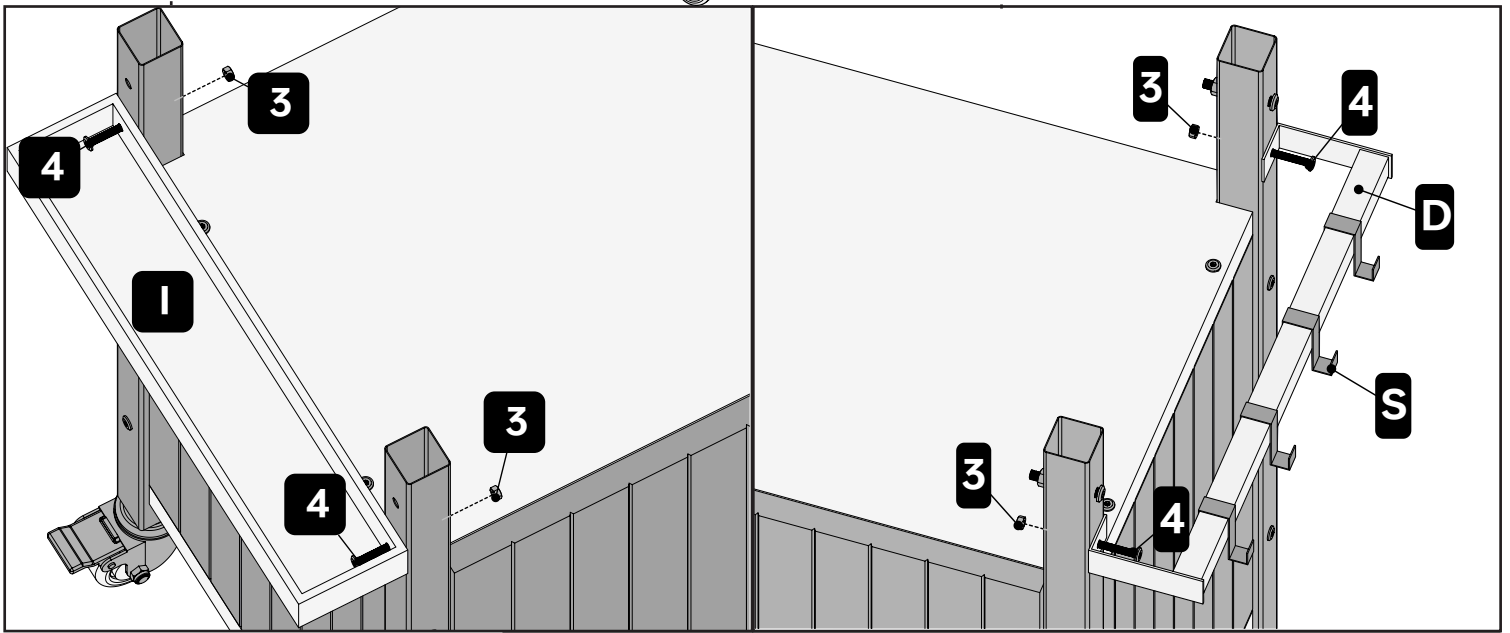
Part M is divided into two components in the instruction manual: M-1 and M-2. However, in the actual packaging, these parts are bundled together as a single Part M. Please keep this in mind when identifying and installing these components to avoid confusion.

Part	Qty
1	4





Part	Qty
3	4
4	4
6	2
D	1
I	1
O	1
S	4



NOTE:

1. Part A1 is hidden in the instruction manual diagrams to improve visibility. Do not remove Part A1 from the assembly.
2. A bottle opener (Part O) is included in the package, along with corresponding screws (Part #6).
3. The bottle opener can be installed in any location of your choice.
4. If you decide to install the bottle opener on Frame B or C1C2, you will need to use a power tool to drill holes.