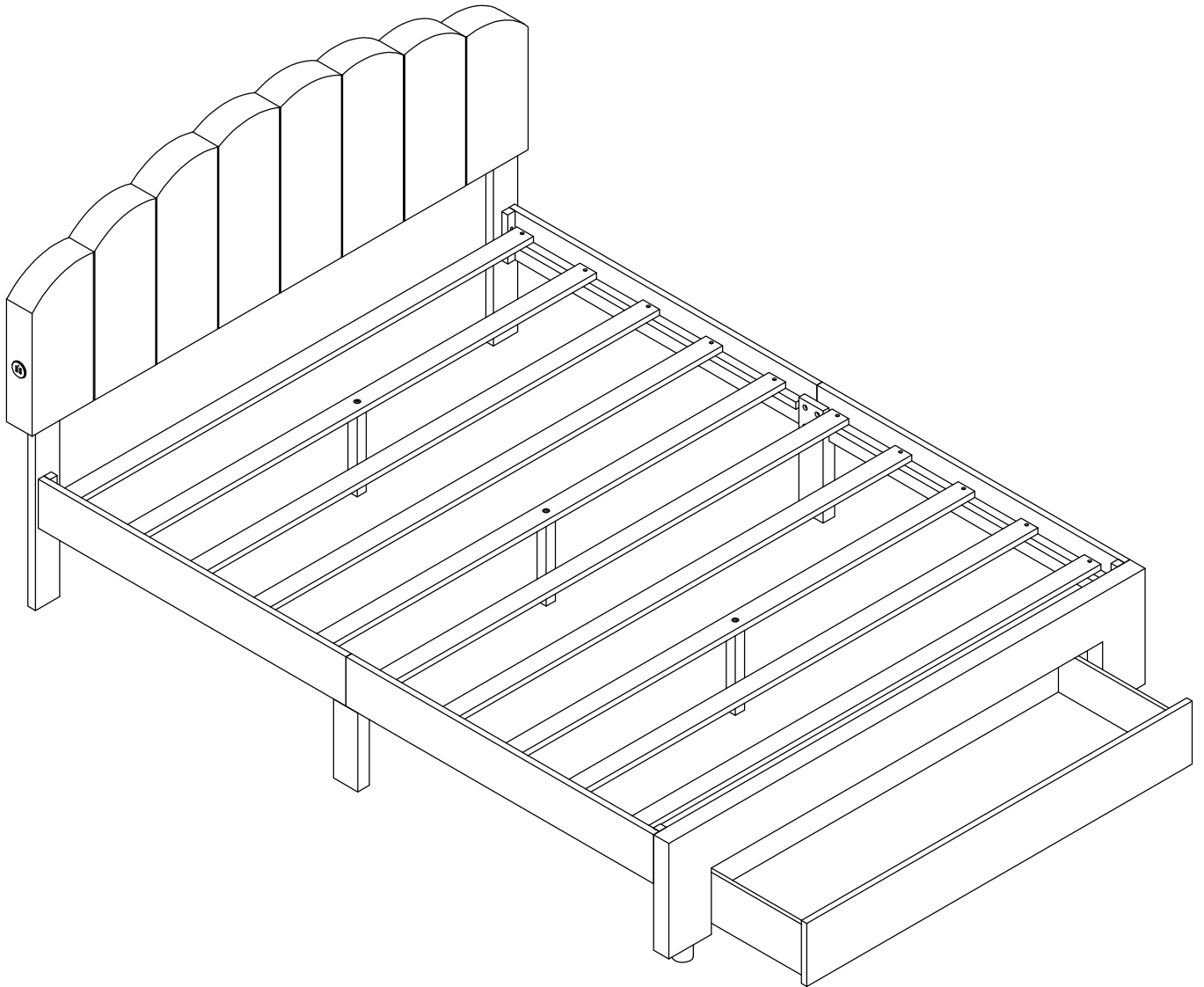
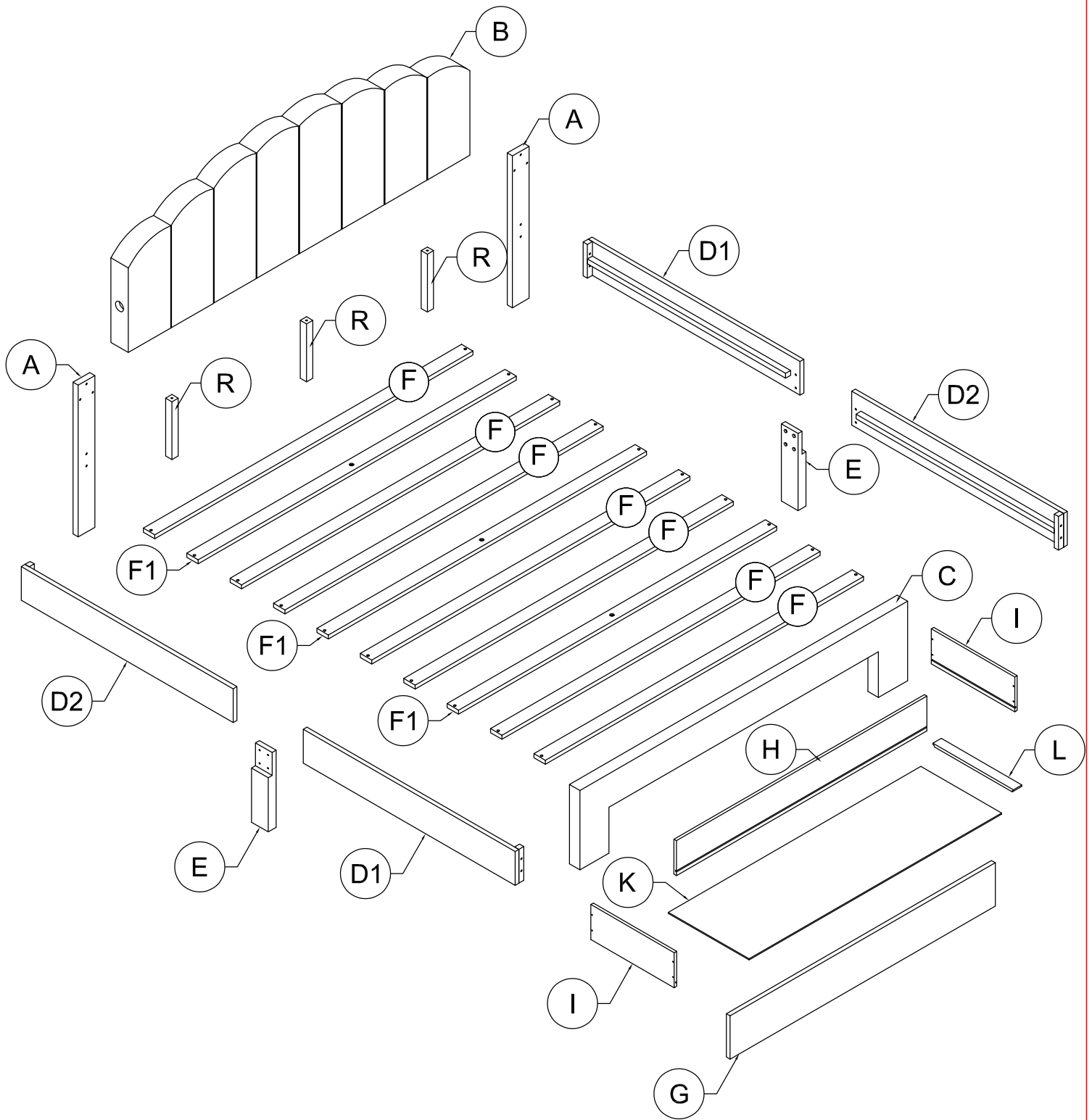


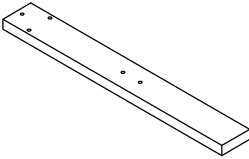
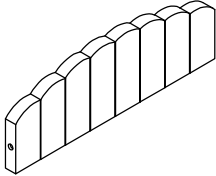
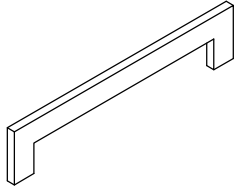
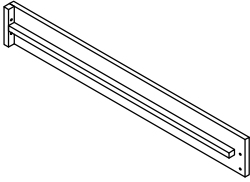
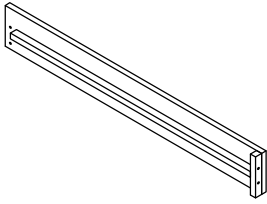


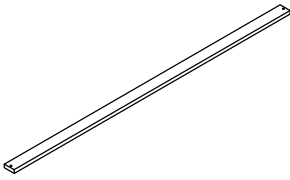
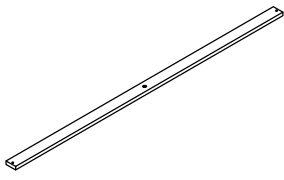
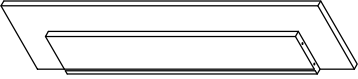
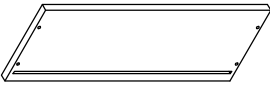
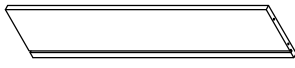

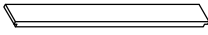
# ASSEMBLY INSTRUCTION



# ASSEMBLY INSTRUCTION

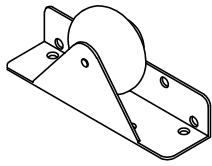


# Part List

<p><b>A</b></p>  <p>Leg - 2pcs</p>	<p><b>B</b></p>  <p>HB Frames - 1pc</p>	<p><b>C</b></p>  <p>FB Frames - 1pcs</p>
<p><b>D1</b></p>  <p>Side Rails - 2pcs</p>	<p><b>D2</b></p>  <p>Side Rails - 2pcs</p>	<p><b>E</b></p>  <p>Side Leg - 2pcs</p>
<p><b>R</b></p>  <p>Support Leg - 3pcs</p>	<p><b>F</b></p>  <p>Slats - 7pcs</p>	<p><b>F1</b></p>  <p>Slats - 3pcs</p>
<p><b>G</b></p>  <p>Drawers - Font Panel - 1pc</p>	<p><b>I</b></p>  <p>Drawers - Side Panel - 2pcs</p>	<p><b>H</b></p>  <p>Drawers - Back Panel - 1pc</p>
<p><b>K</b></p>  <p>Drawers - Bottom Panel - 1pc</p>	<p><b>L</b></p>  <p>Drawers - Support Bottom - 1pc</p>	

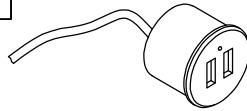
# Hardware List

1



Wheels 4pcs

2



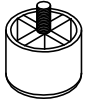
USB  
1pc

3



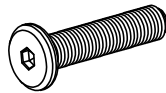
Allen Key 1pcs

4



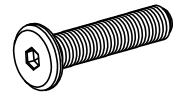
Plastic Feet(Ø50x40)  
2pcs

5



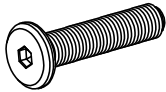
1/4" x 30mm  
Hex-Head bolts 3pcs

6



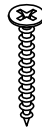
1/4" x 40mm  
Hex-Head bolts 14pcs

7



1/4" x 50mm  
Hex-Head bolts 8pcs

8

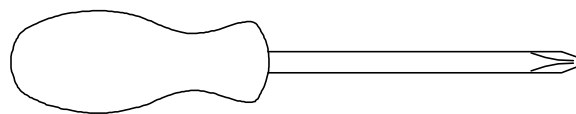


M4 x 30 mm  
Wood Screws 28pcs

9

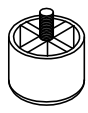


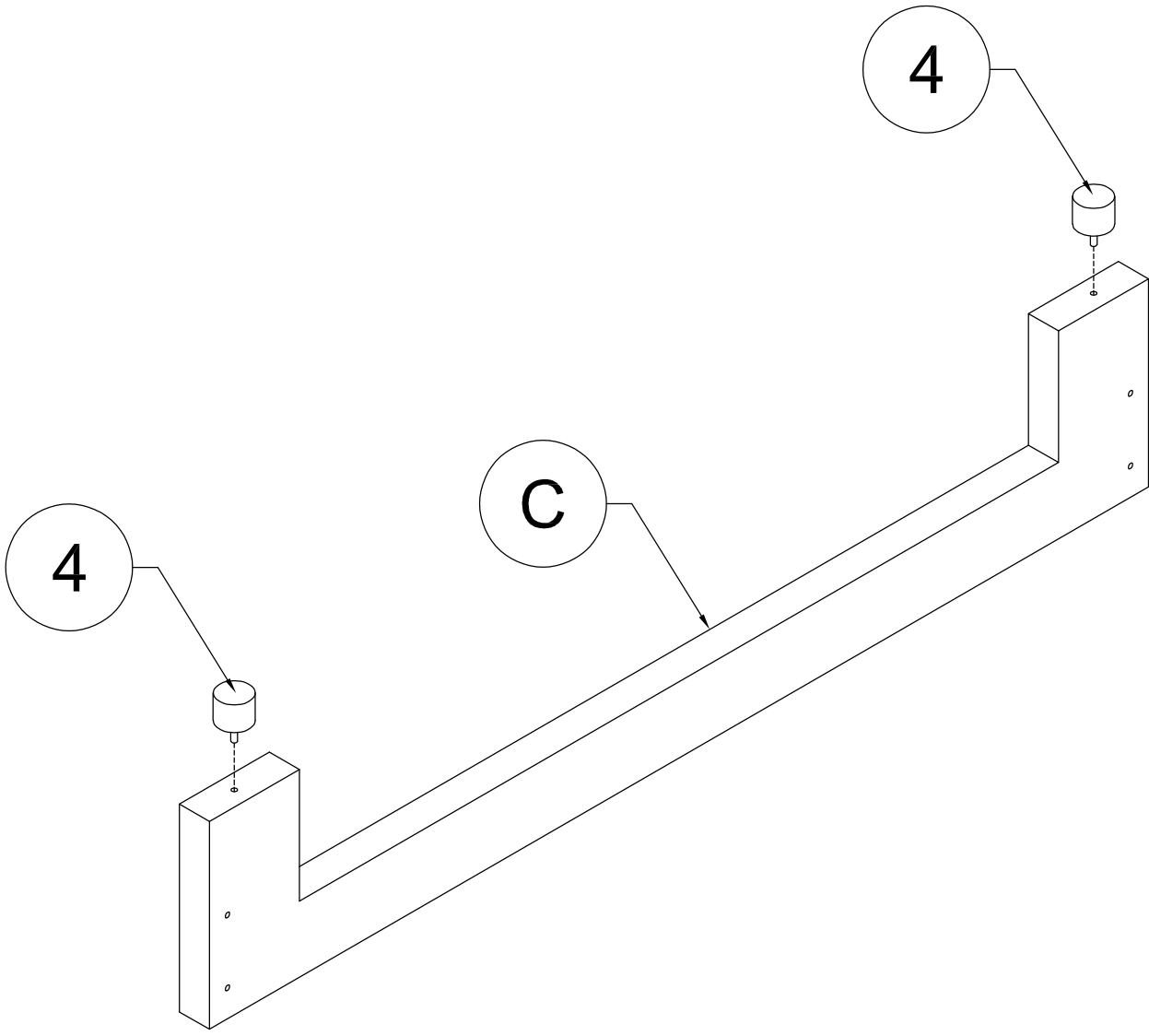
M4 x 15 mm  
Wood Screws 8pcs




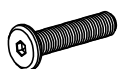
**Assembly Tools Required (Not Included)**

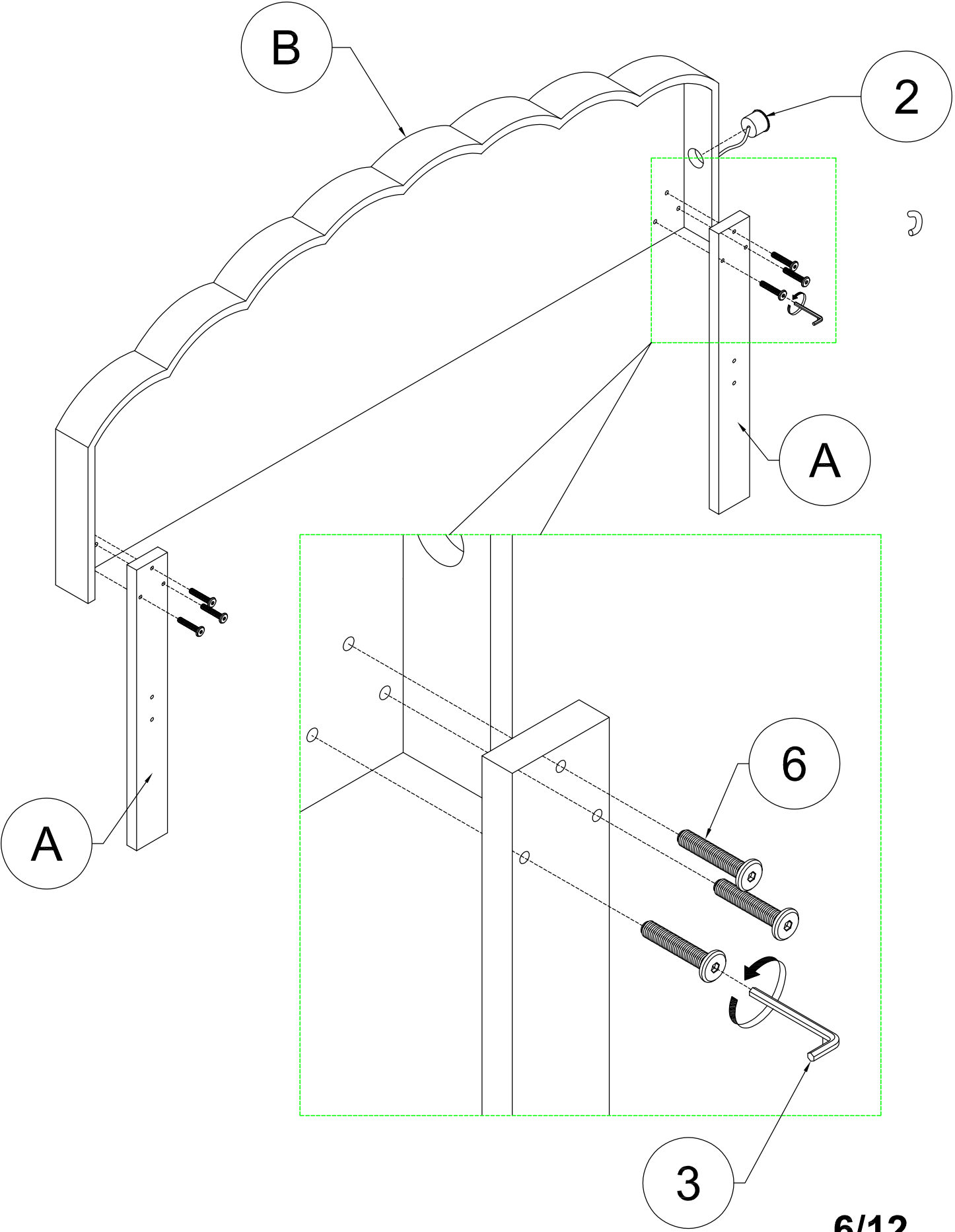
**STEP 1:** Following below illustration:

4	
2pcs	




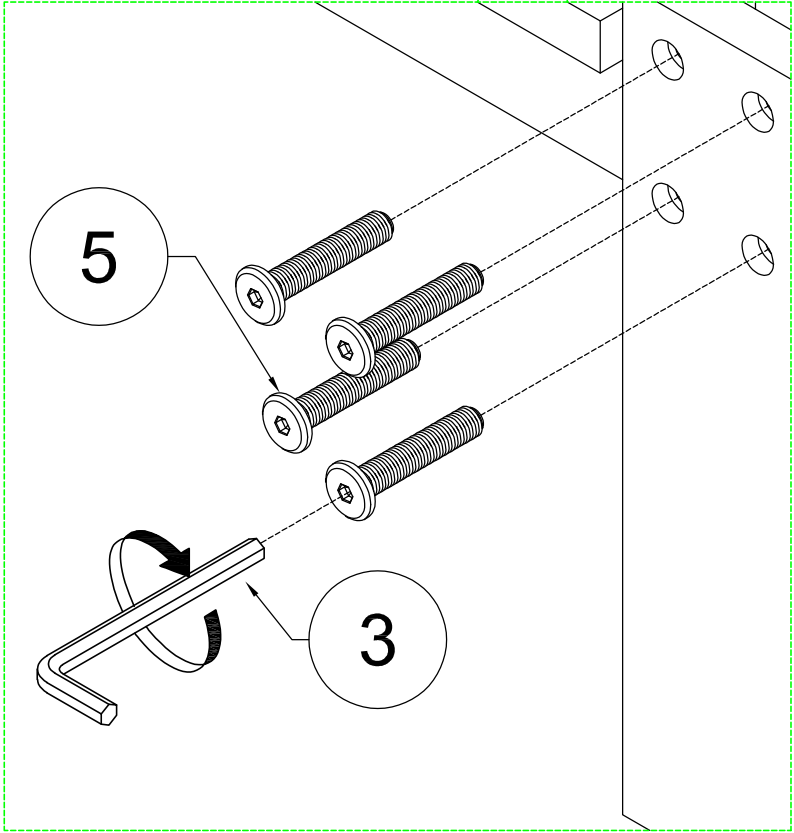
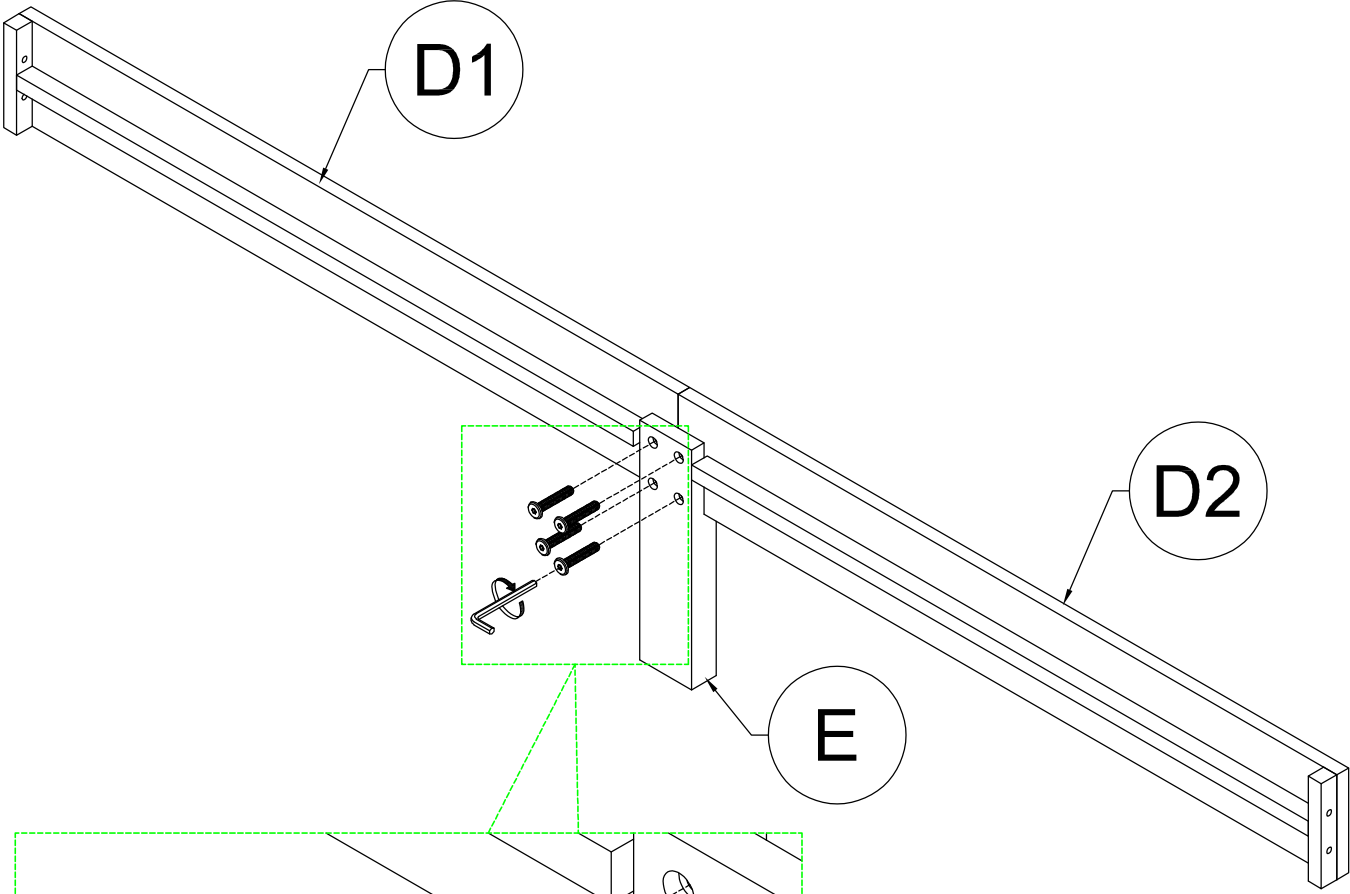
# STEP 2: Following below illustration:

2	6
	
1pc	6pcs

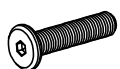


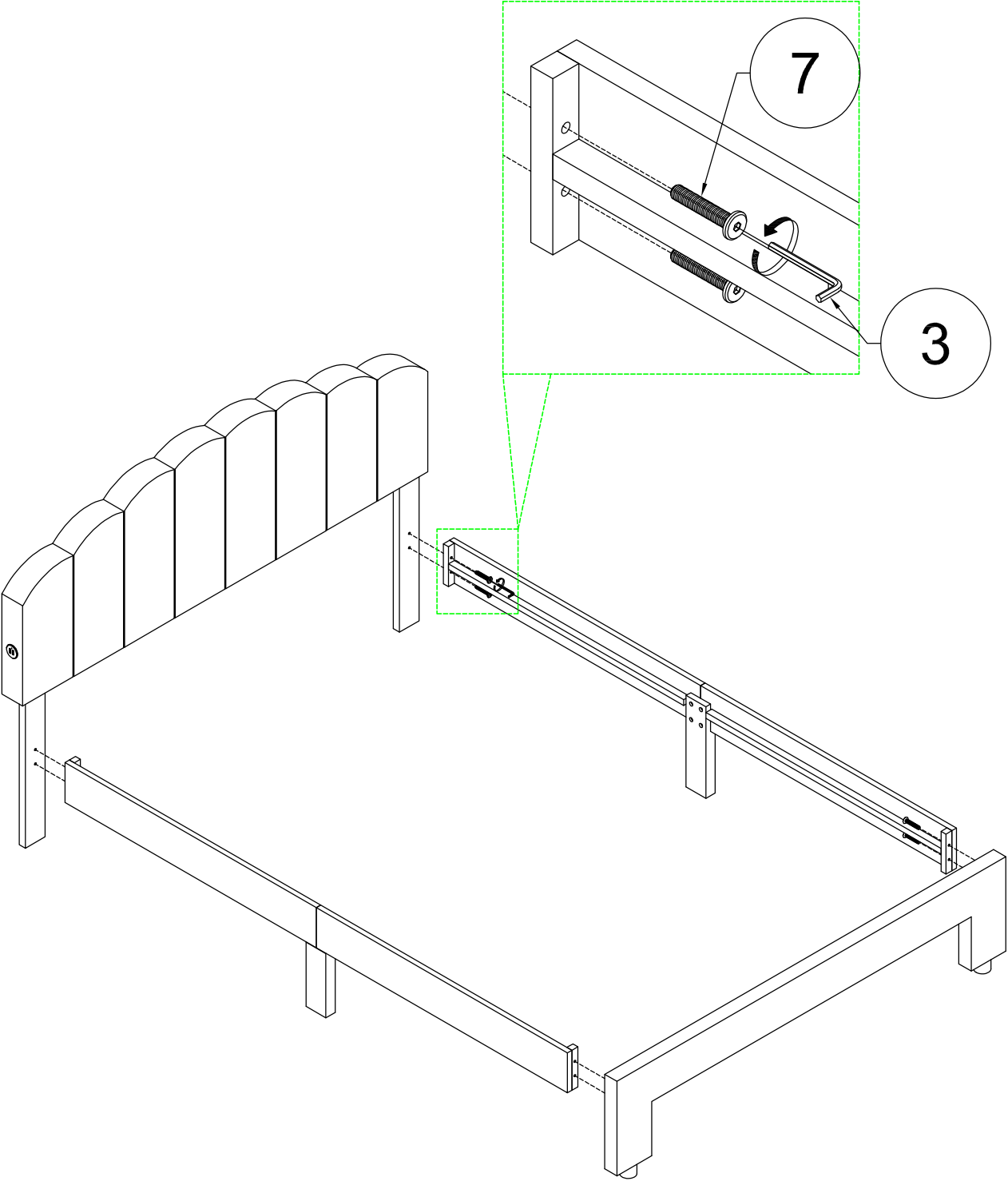
**STEP 3:** Following below illustration:

6

8pcs

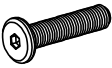



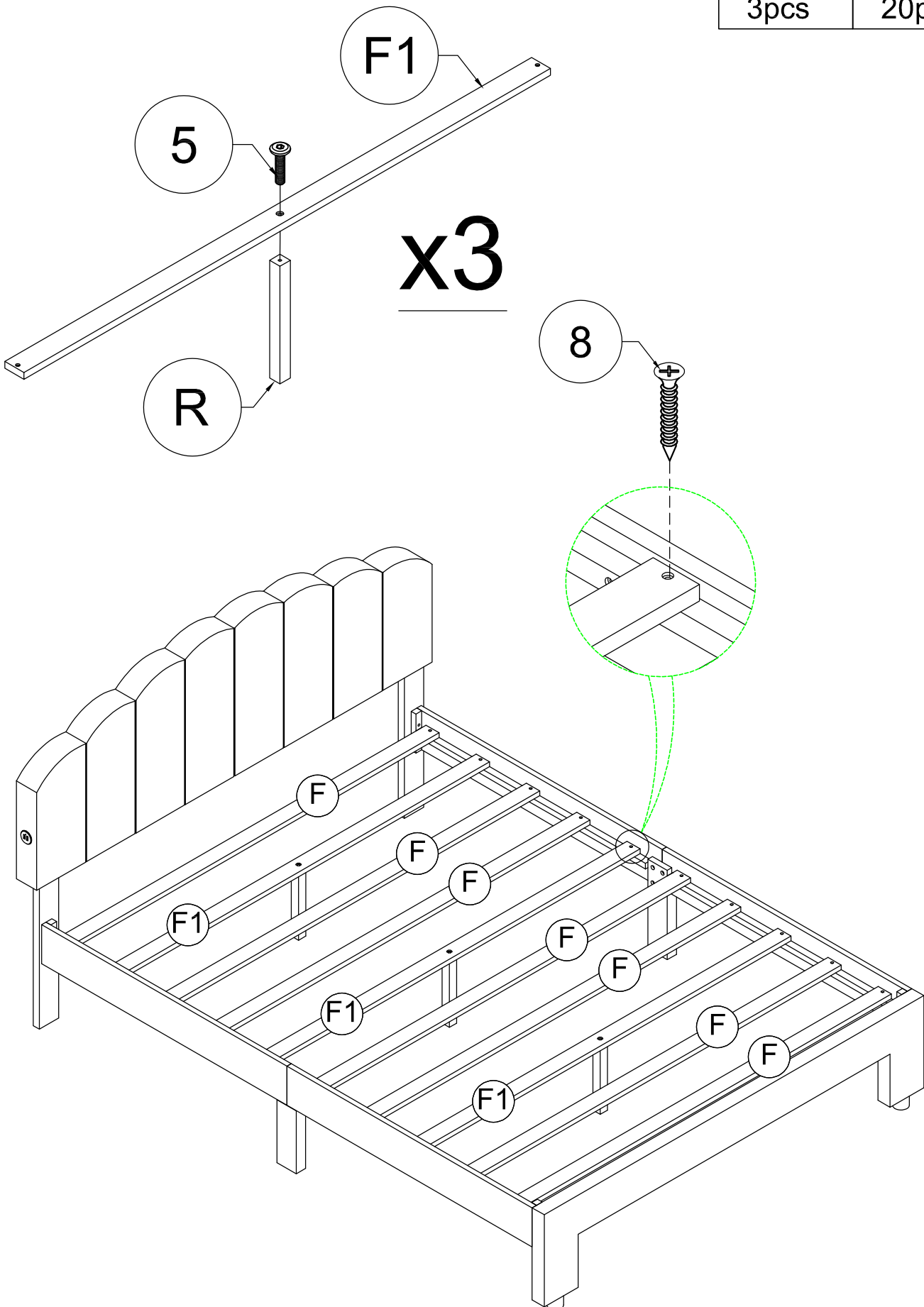
**STEP 4:** Following below illustration:

7

8pcs



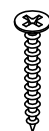
**STEP 5:** Following below illustration:

5	8
	
3pcs	20pcs

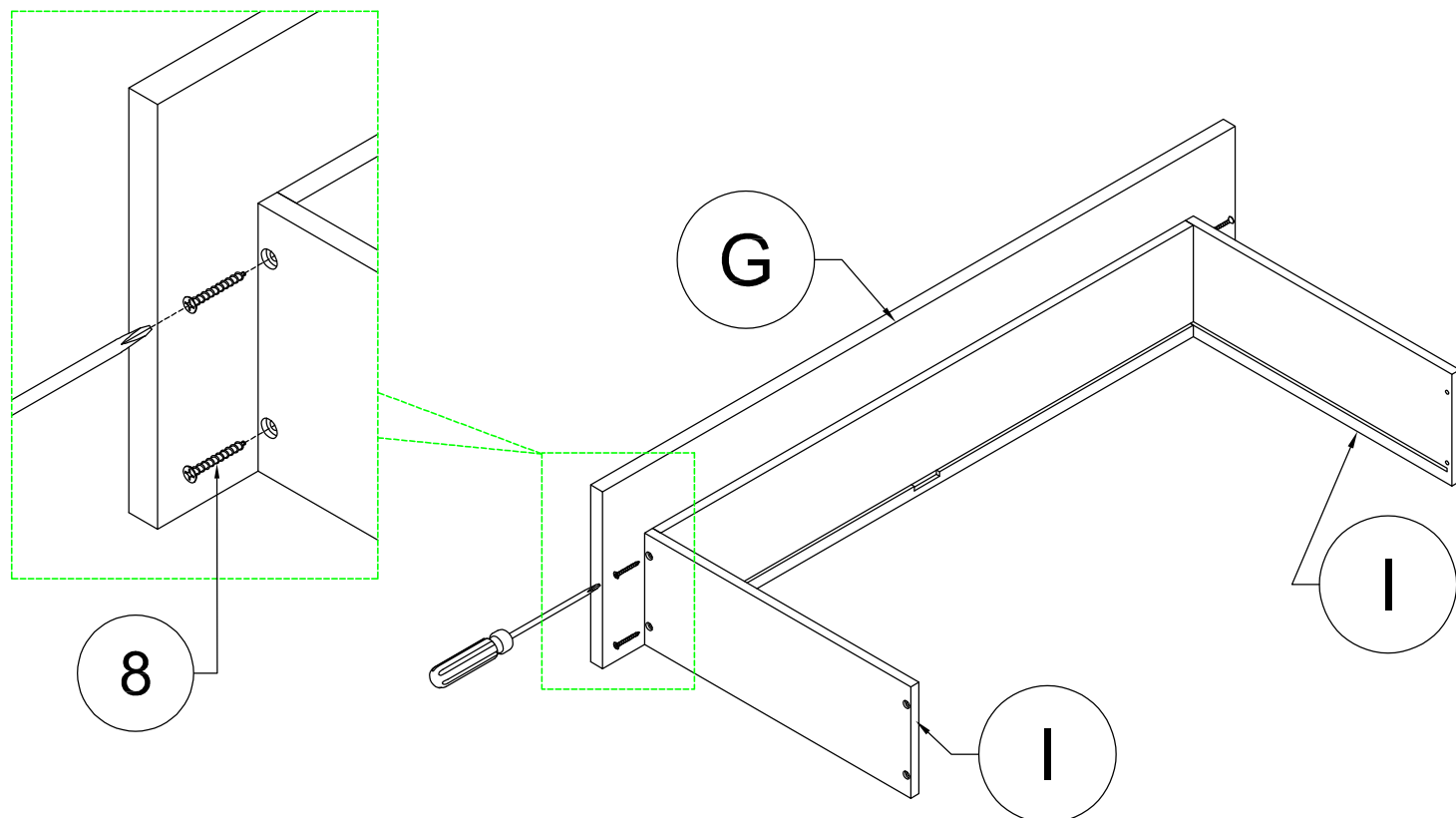


# STEP 6: Following below illustration:

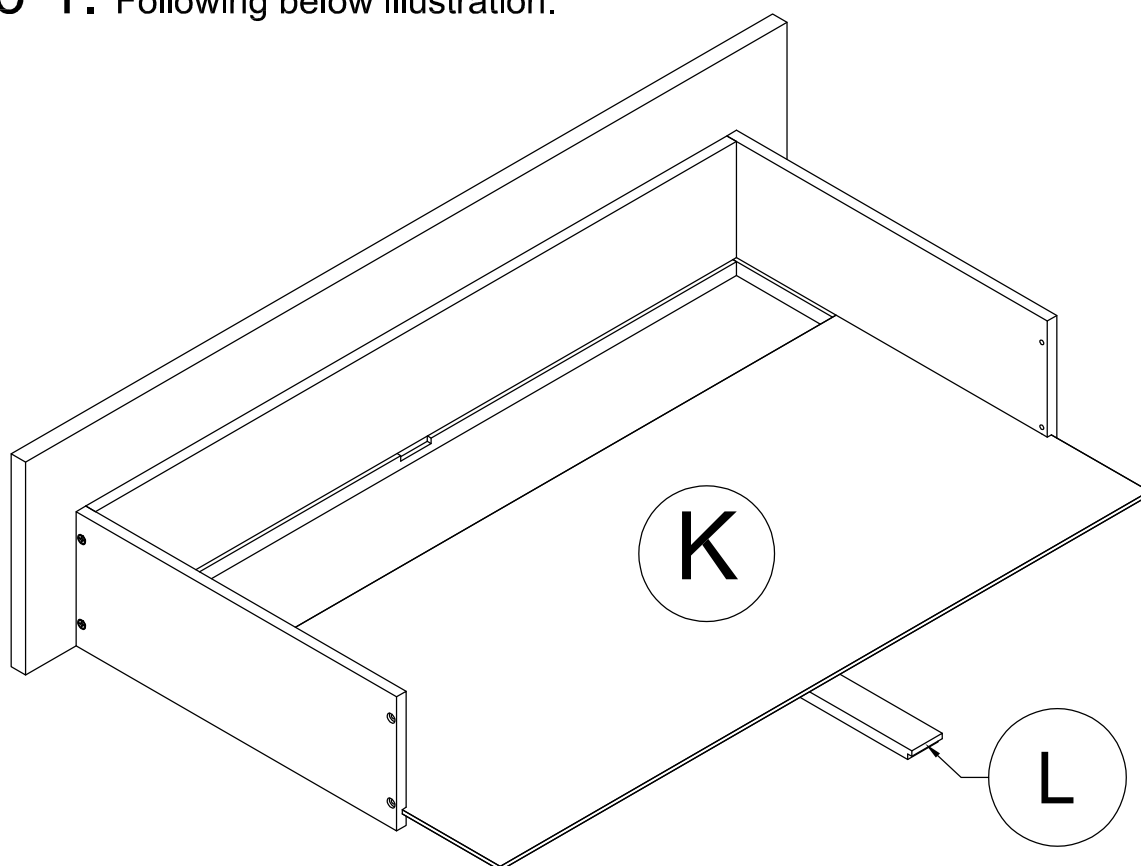
8



4pcs

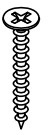


# STEP 6-1: Following below illustration:

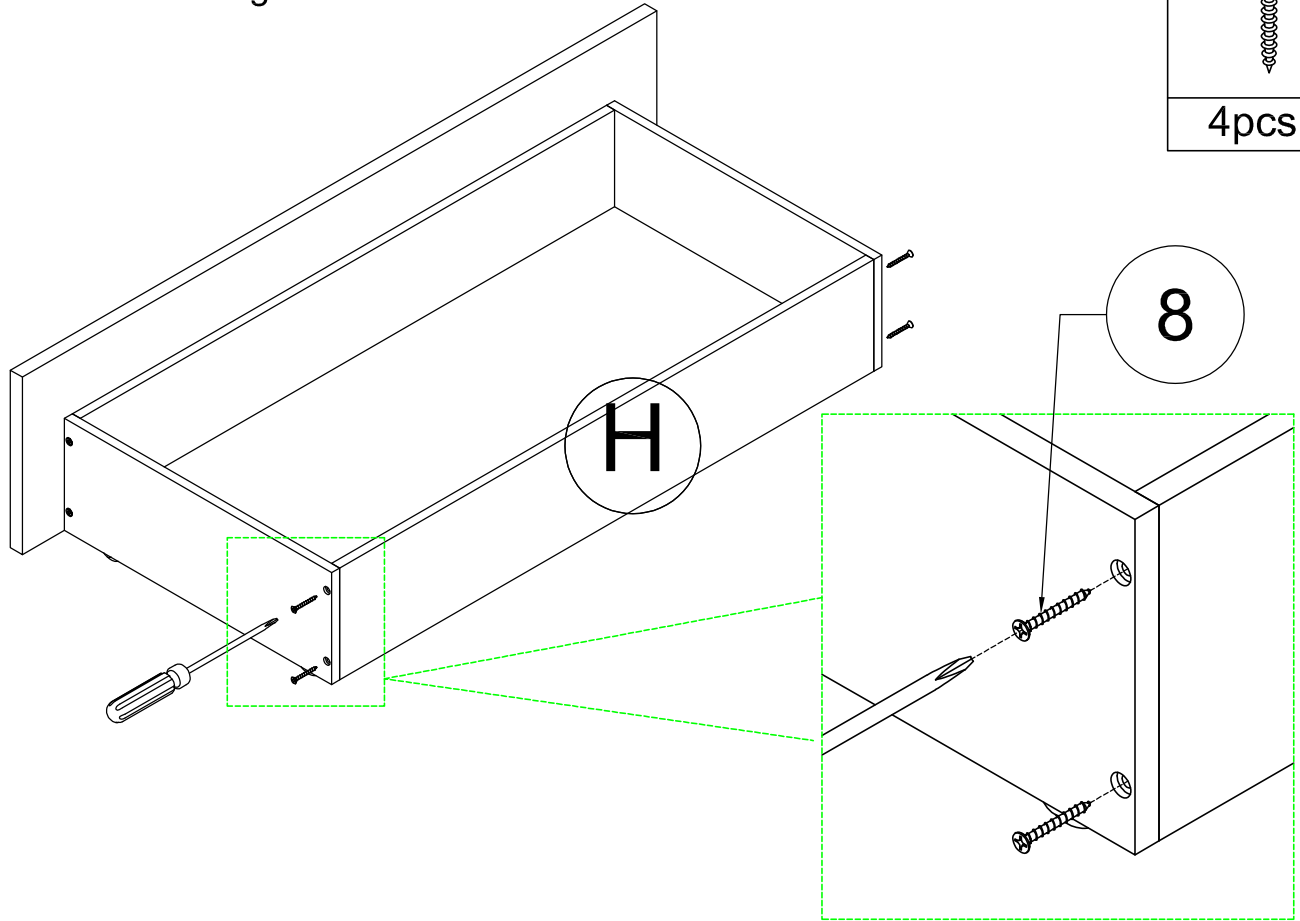


# STEP 7: Following below illustration:

8

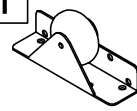


4pcs



# STEP 7-1: Following below illustration:

1

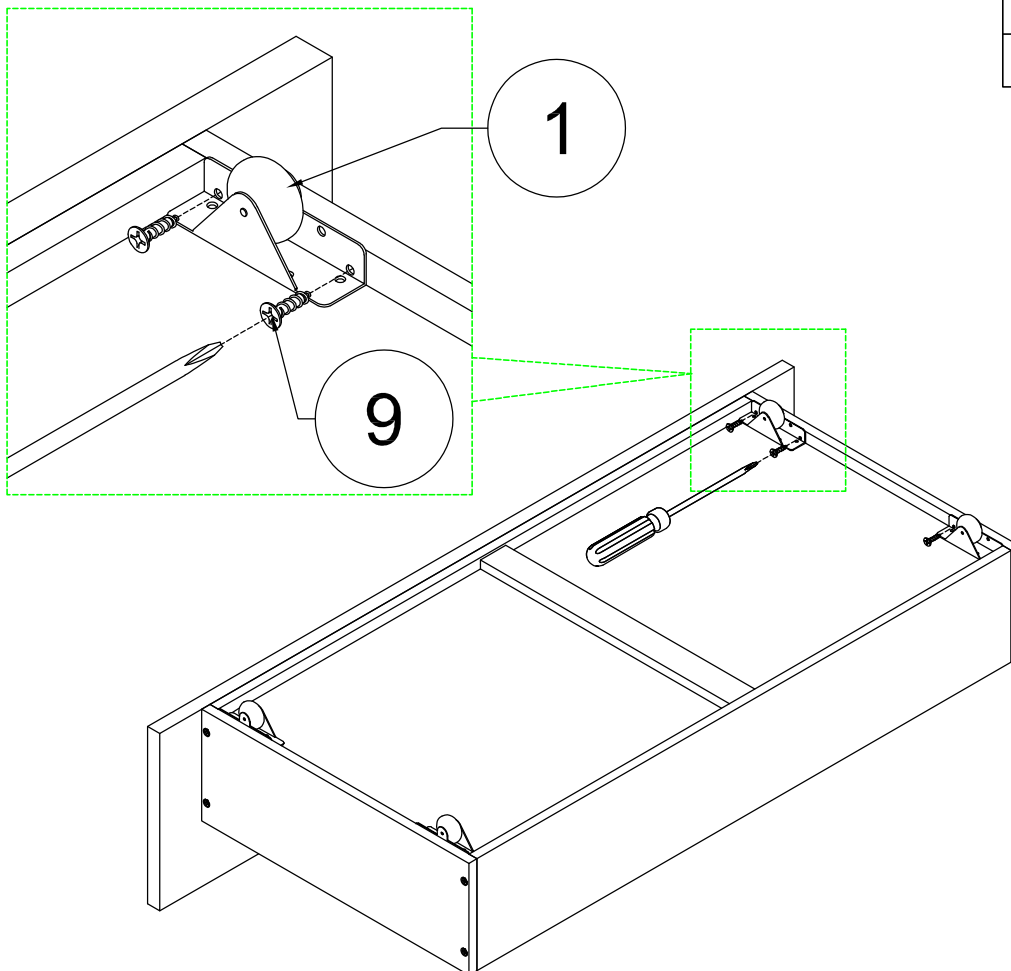


4pcs

9



8pcs



# FINISH

