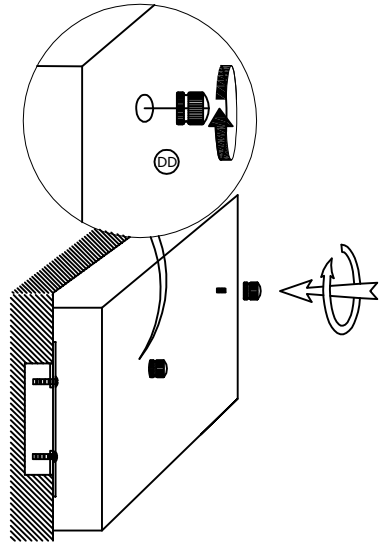
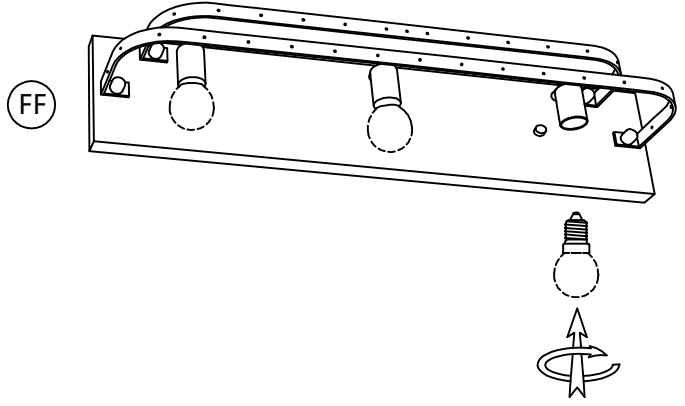


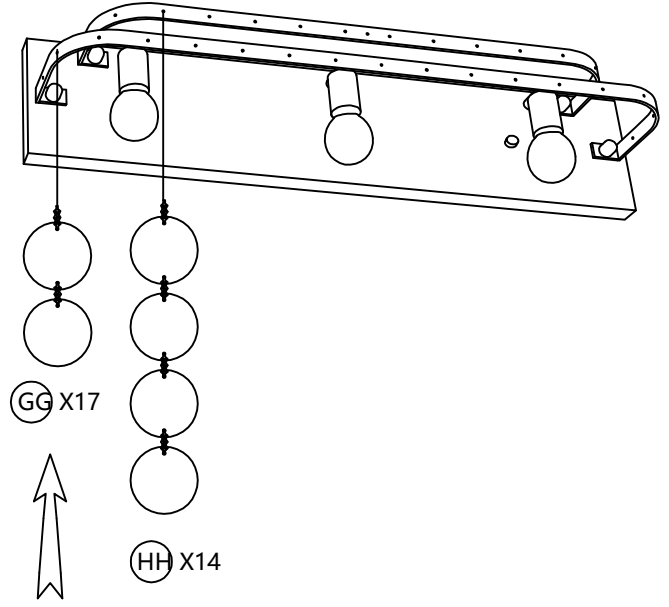
3



4



5



US

Manufacturer:

Zhongshan Xinde Household Products Co., Ltd.
 Address: 3/F, 51 Xiaolan Industrial Avenue, Baofeng, Xiaolan Town, Zhongshan

Importer:

GuangZhou Tuodian Trade Co., Limited.
 Address: 1204, Building 1, Tianan Headquarters Center, 555 North Panyu Avenue, Donghuan Street, Panyu District, Guangzhou.

UK

British Representative

British Representative
 Sea&Mew Accounting Ltd
 Electric Avenue Vision 25, London, Enfield EN3 7GD
 Contact Person: Billy Han
 Tel: +44 7399648608
 E-mail: info@seamew.net

Manufacturer:

Zhongshan Xinde Household Products Co., Ltd.
 Address: 3/F, 51 Xiaolan Industrial Avenue, Baofeng, Xiaolan Town, Zhongshan

Importer:

GuangZhou Tuodian Trade Co., Limited.
 Address: 1204, Building 1, Tianan Headquarters Center, 555 North Panyu Avenue, Donghuan Street, Panyu District, Guangzhou.



DE (Die folgenden Informationen gelten nur für Deutschland)

EU Representative

EU Representative: Sea&Mew Consulting GmbH
 Mittenhuber Straße 4, 92318 Neumarkt
 Contact: Yuan Li
 Tel: +4915224685061
 E-mail: Compliance.EU@outlook.com

Manufacturer:

Zhongshan Xinde Household Products Co., Ltd.
 Address: 3/F, 51 Xiaolan Industrial Avenue, Baofeng, Xiaolan Town, Zhongshan

Importer:

GuangZhou Tuodian Trade Co., Limited.
 Address: 1204, Building 1, Tianan Headquarters Center, 555 North Panyu Avenue, Donghuan Street, Panyu District, Guangzhou.

