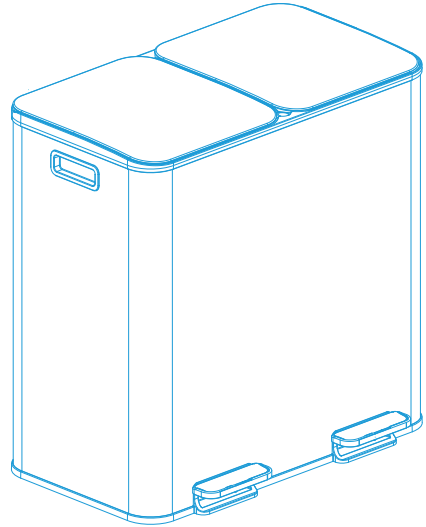
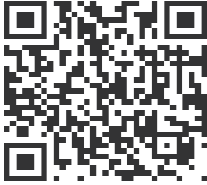


✉ HJ-Customer-Service@outlook.com

☎ (909)637-7665 | (909)637-7593

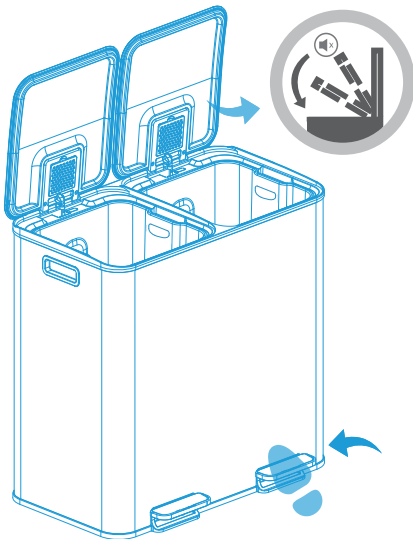
EST 9:00AM--17:00PM



Step Trash Can

WARNING:

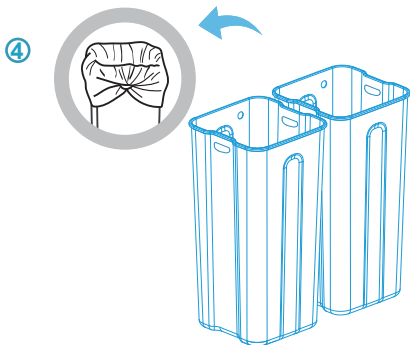
- 1 To prevent potential suffocation hazards, keep all packaging materials (films, plastic bags, foam, etc.) away from babies and children.
- 2 Do not exceed the maximum load capacity to avoid damage.
- 3 Never dispose of flammable materials in the trash can, as this may cause damage or fire.
- 4 Prevent children or pets from playing with the pedal or other moving parts to avoid damage or injury.
- 5 Do not use abrasive cleaners to clean the surface, as they may cause damage.
- 6 We recommend using 11-gallon garbage bags.



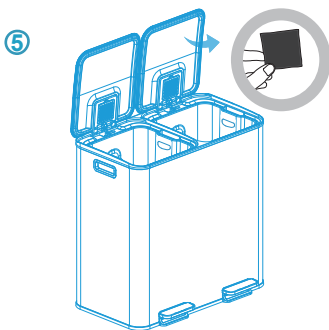
③ Our trash can features a lid that closes gently and quietly when you lift your foot off the pedal.

② The lid can also be opened manually without using the pedal.

① Step on the pedal to open the lid.

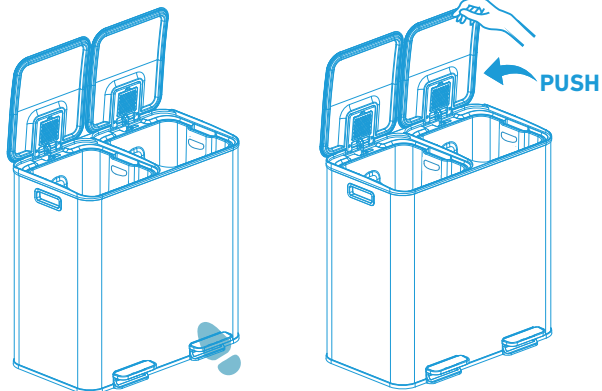


To install the garbage bag, first remove the inner bucket and place the bag inside. Fold its edges over the rim, tie a knot in the excess part, and tuck it into the small hole on the side of the bucket. Finally, place the inner bucket back into the trash can.



This compartment includes carbon cotton for odor control. To use alternatives such as fragrance pads or insect repellent tablets (not included), please replace the original material.

⑥ The lid can be fixed at a 90-degree open position as shown.



⑦ Ready for use now!

