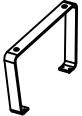
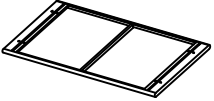




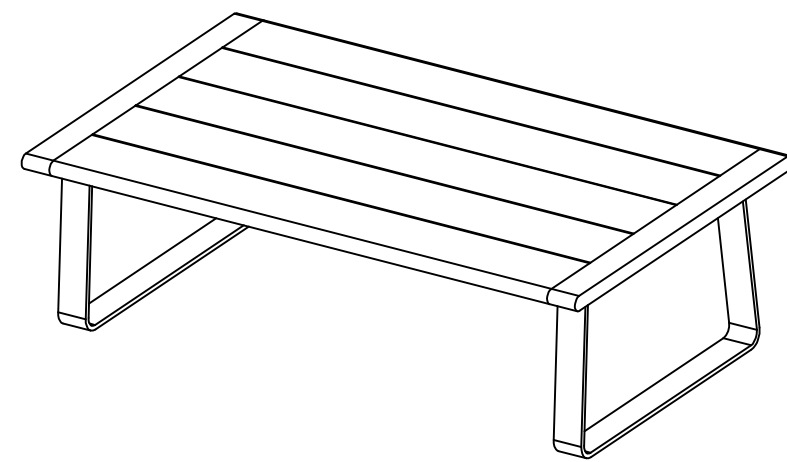
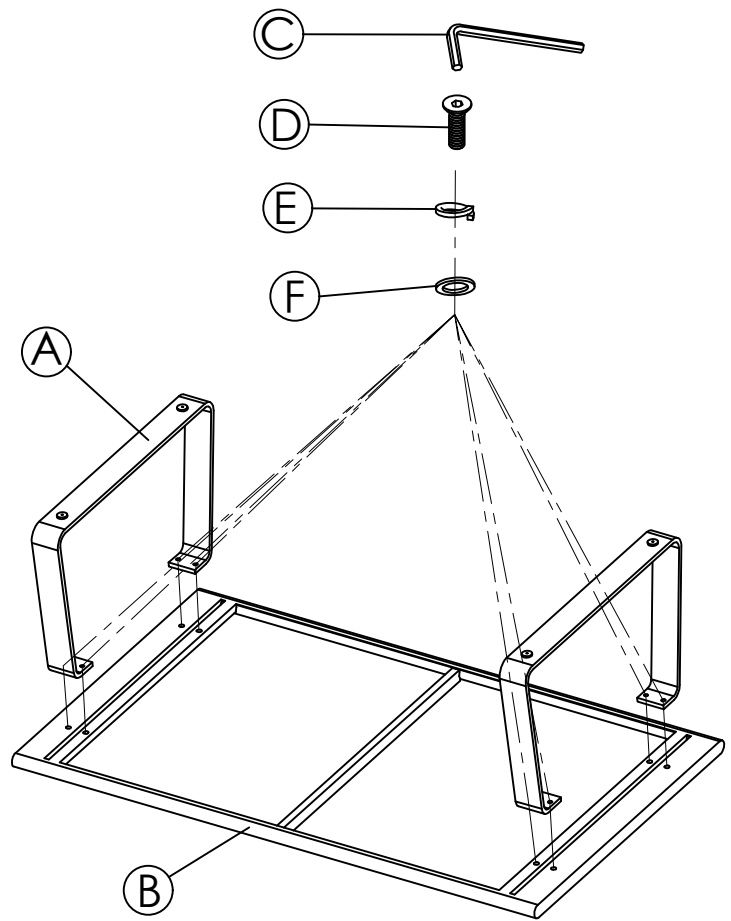


ASSEMBLY INSTRUCTIONS

A		x2
B		x1
C	 1/4	x1
D	 1/4*25	x8
E	 1/4	x8
F	 1/4	x8



Lock the screws into 3/4 parts according to the instructions, after levelling the product, tighten all the screws at the end



1

2