










Assembly Instructions

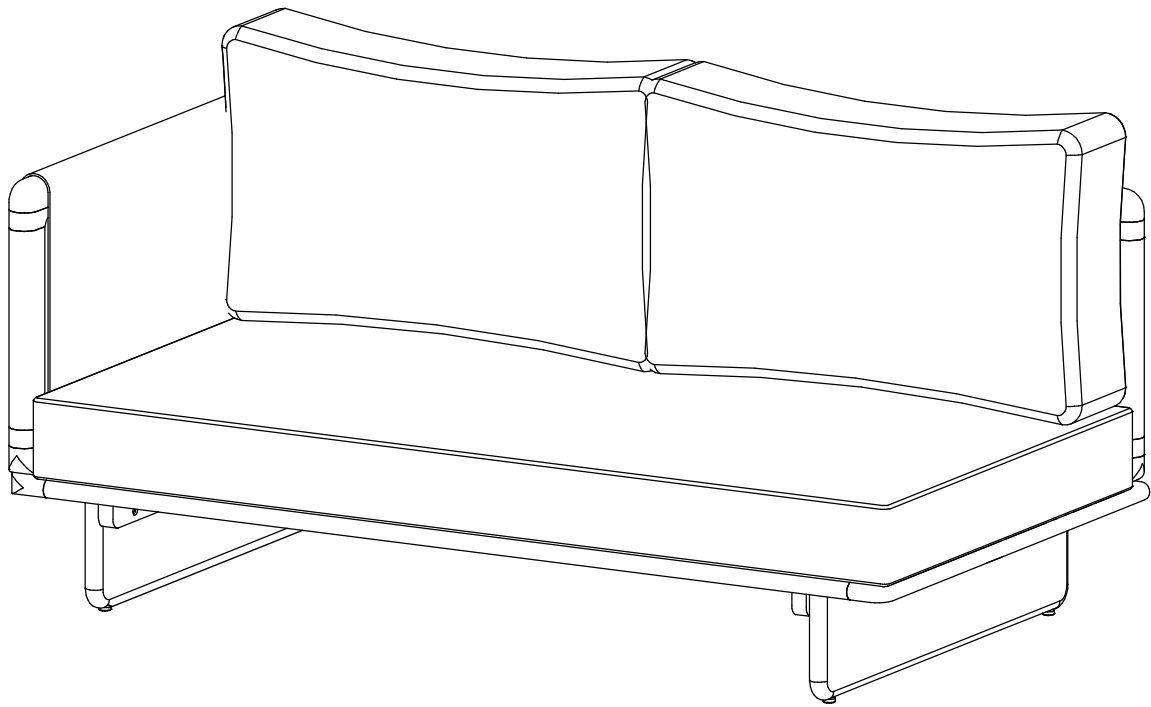
CAUTION: You must read this before you proceed.

Care & Maintenance

- ⊘  • Not for commercial use. For residential use only.
- ⊘  • Do not put hot items directly on furniture surface.
- ⊘  • Do not clean furniture with harsh cleansers or polish.
- ✓  • To obtain the longest lifespan of your outdoor products, minimizing exposure to direct sunlight is recommended.
- ⊘  • Children should not climb or jump on the furniture.
- ⊘  • Do not write on furniture without a padded barrier to protect the surface.
- ✓  • To obtain the longest lifespan of your outdoor products, avoid extended and lengthy exposure to rain, snow, and direct sunshine. Whenever possible cover the product and /or place under patio or awnings.
- ⊘  • Stains may be removed with mild soap solution and damp cloth.
- ✓  • Dust and pick-up spills using a clean, non-colored, lint-free cloth.

Please look in the Seat Panel for hardware packs

LEFT LOVESEAT

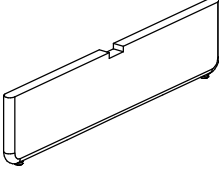
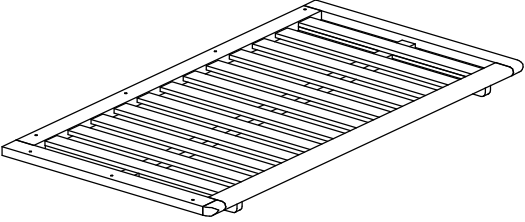
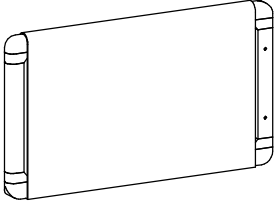
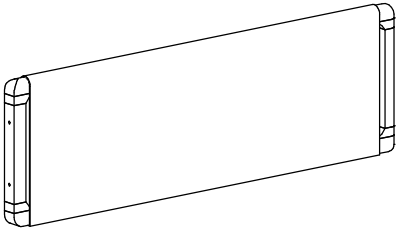
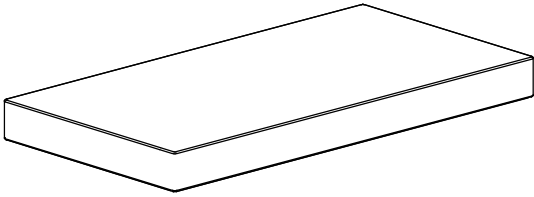
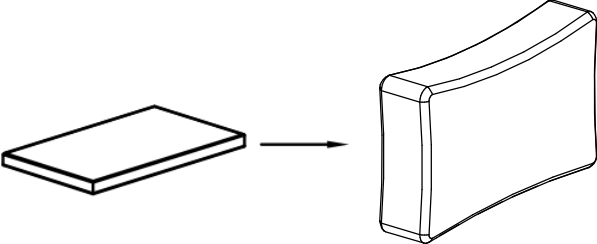



CAUTION: This Loveseat is NOT a TOY.


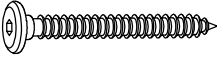

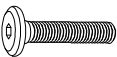
Keep your child / children at bay in the process of assembly.

For turning the Loveseat and to prevent damage to the Loveseat, 2 persons may be needed to execute this action.

Part list

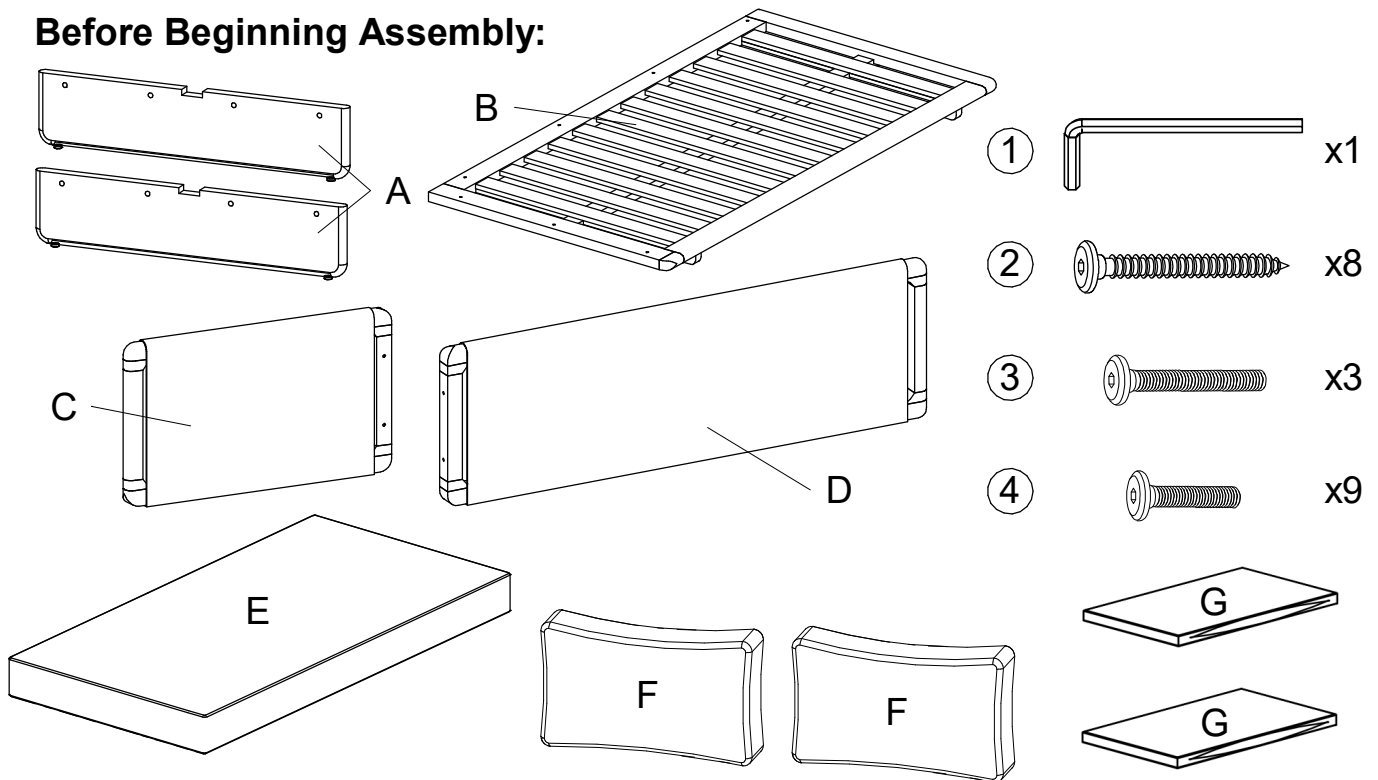
Label	Picture	Description	Qty
A		Leg	2
B		Seat Panel	1
C		Armrest Panel	1
D		Backrest Panel	1
E		Seat Cushion	1
F		Back Pillow	2
G		Back Pillow Cover	2

Hardware

Label	Picture	Description	Qty
①		Allen Wrench	1
②		Screw (M6x60)	8
③		Bolt (M6x50)	3
④		Bolt (M6x35)	9

Assembly Preparation

Before Beginning Assembly:



• Read instruction, cover to cover-



• Have 2 adults on hand for assembly-



• Do not assembly on flooring or carpet-



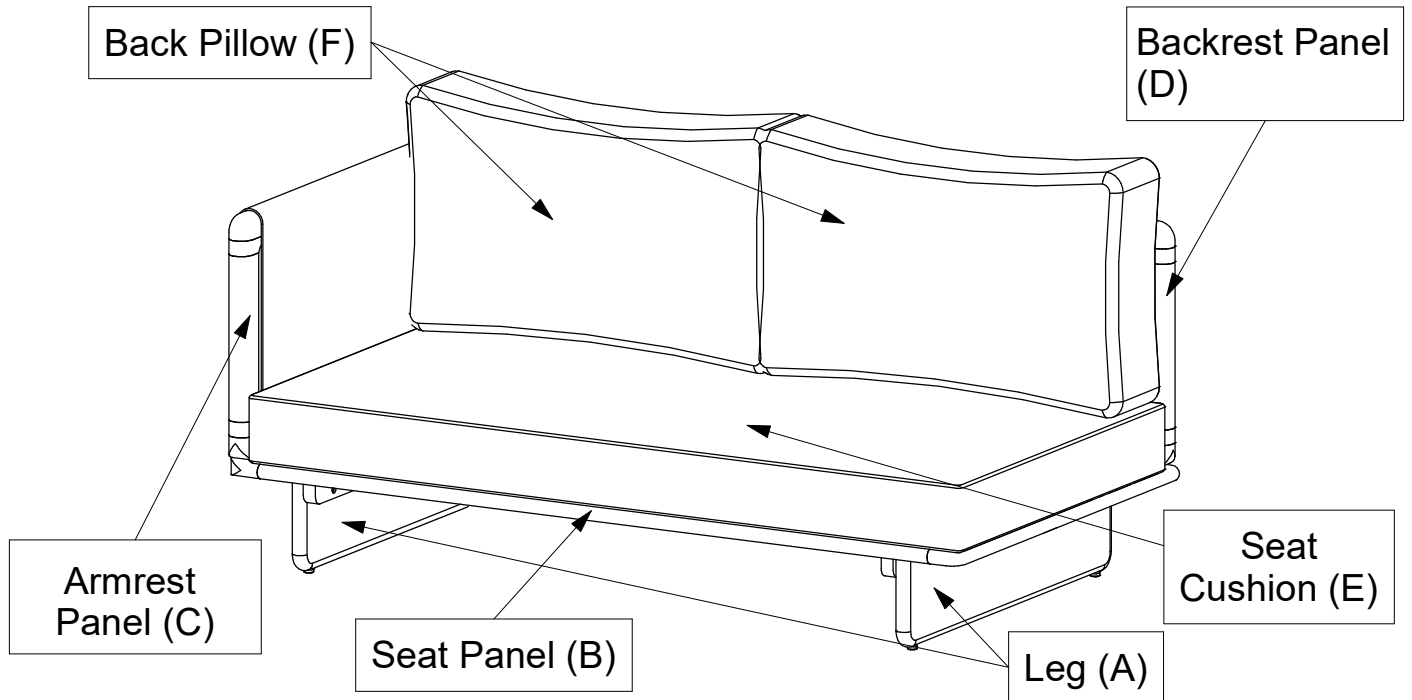
• Assemble on a clean non-marring surface (packing foam)-



• Save all packaging until finished-

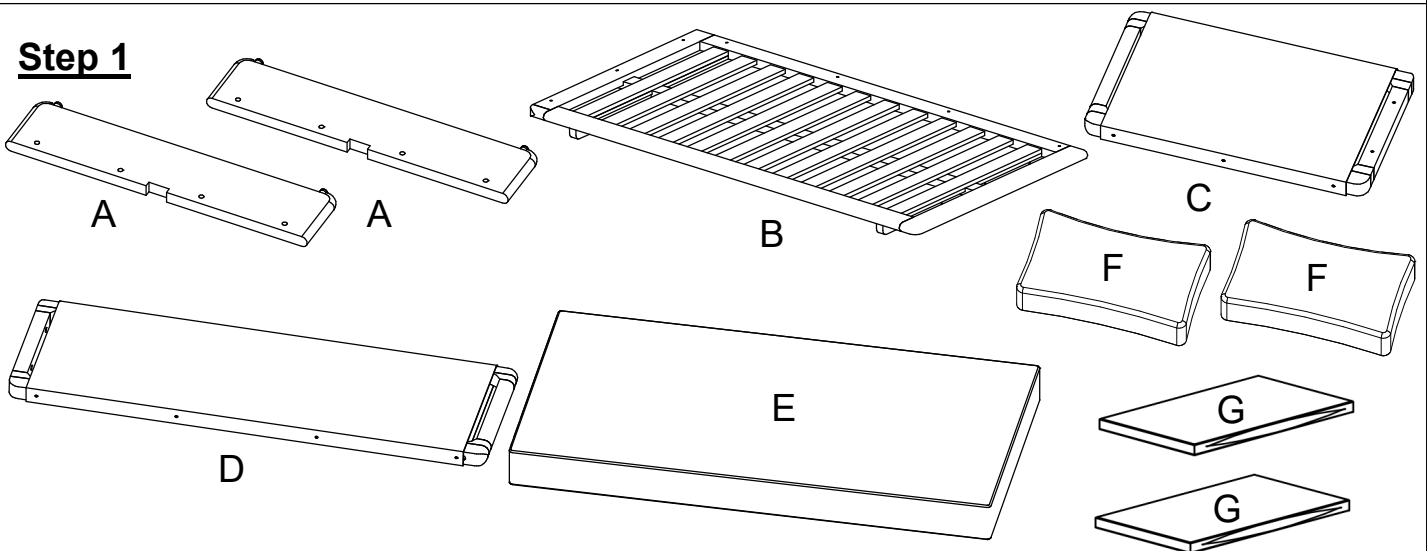
Assembly Steps

OVERVIEW



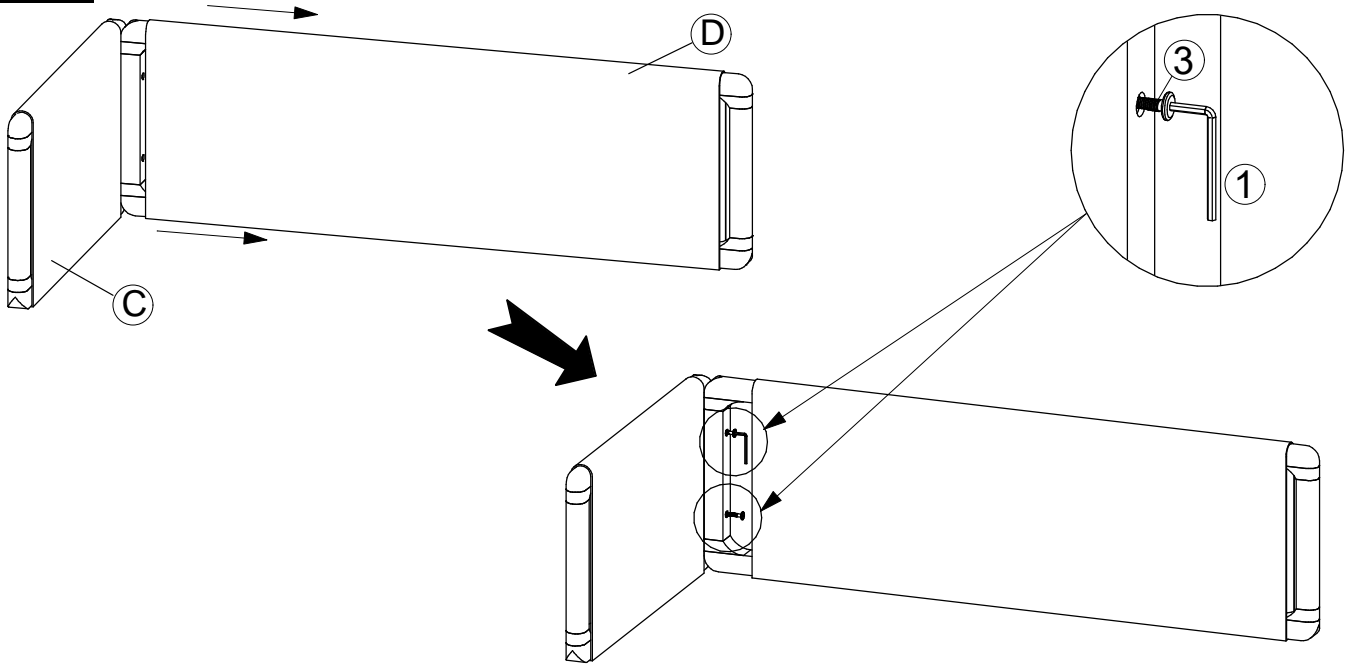
This Loveseat has multiple parts and may require up to some 30 minutes to assemble. To give you an overview of the Loveseat, the above picture is to help you put the various parts into perspective. Please read through the instructions here below to familiarise the parts and steps before assembly.

Step 1



Unpack and place all parts on a clean, non-marring surface.

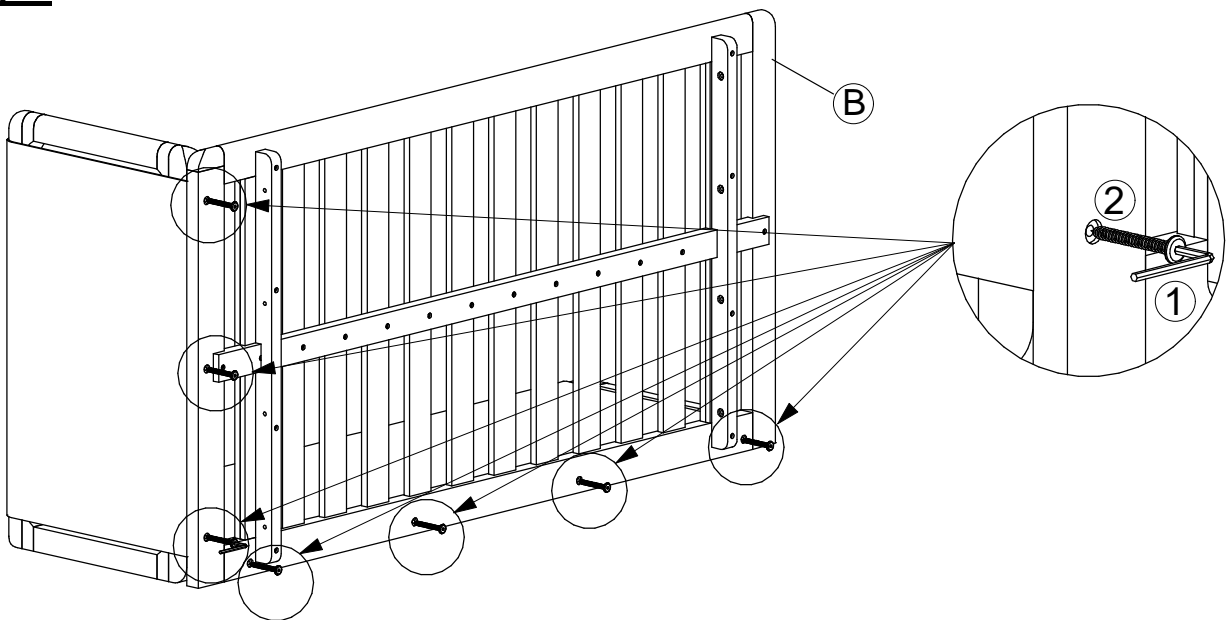
Step 2



With assistance from your adult partners, attach Armrest Panel (C) to Backrest Panel (D) by using 2 Bolts () with Allen Wrench () to secure as shown above.

DO NOT fully tighten the Bolts.

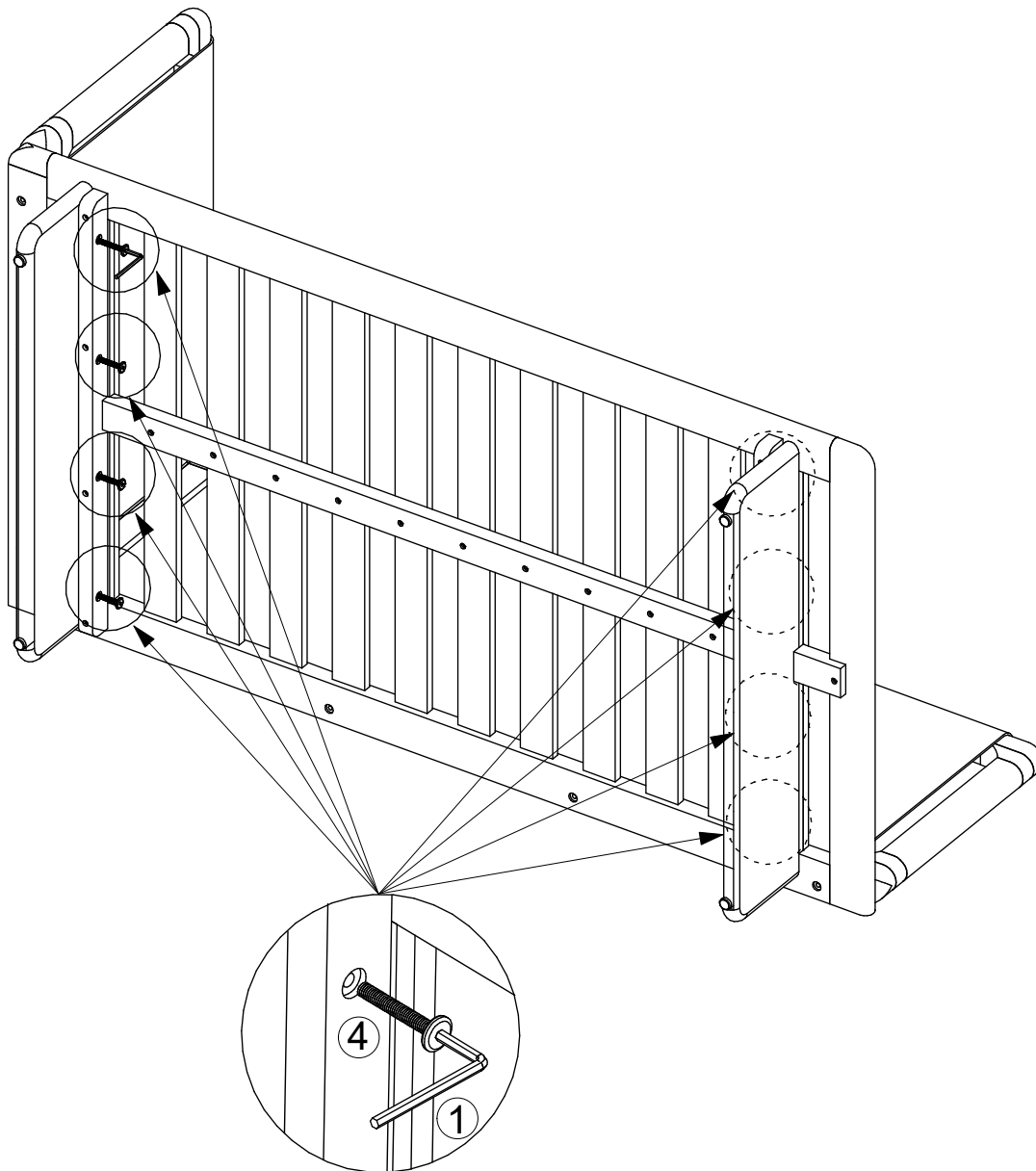
Step 3



With assistance from your adult partners, securing Seat Panel (B) with Armrest Panel (C) and Backrest Panel (D) by using 7 Screws () + Allen Wrench () as shown above picture.

DO NOT fully tighten the Screws.

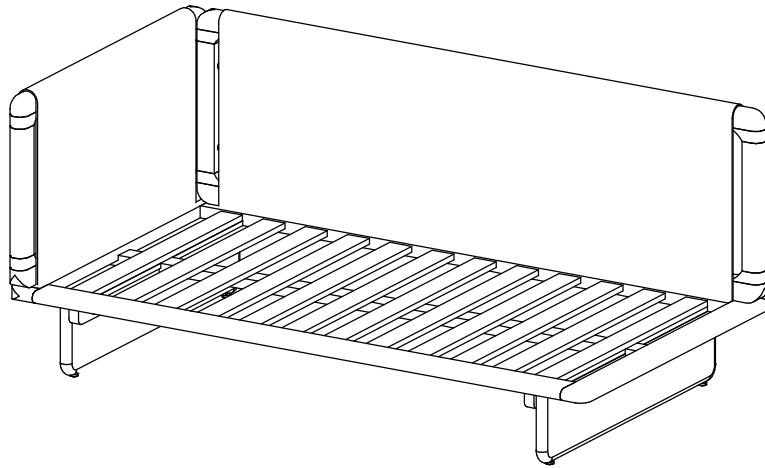
Step 4



With assistance from your adult partners, attach Leg (A) to Seat Panel (B) by using 8 Bolts () with Allen Wrench () to secure.

DO NOT fully tighten the Bolts.

Step 5



Turn the Loveseat to the right side.

Inspect it and make sure all parts are adequately connected.

Gently and gracefully, sit onto the Loveseat.

This will help to align all the parts at all joint areas.

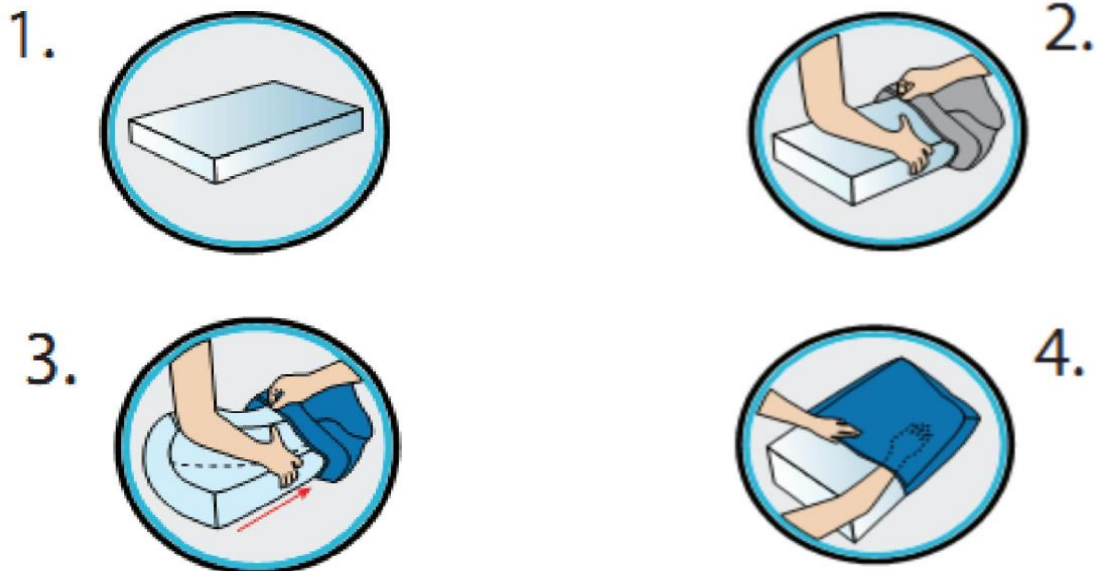
Then get off the Loveseat and proceed to tighten the Bolts and Screws in a sequential manner.

When tightening the Bolts, Screws tighten sequentially.

DO NOT tighten any Bolts, Screws fully and then move on towards the next one.

If there are still wobbles, loosen the Bolts, Screws and execute this same process.

Step 6



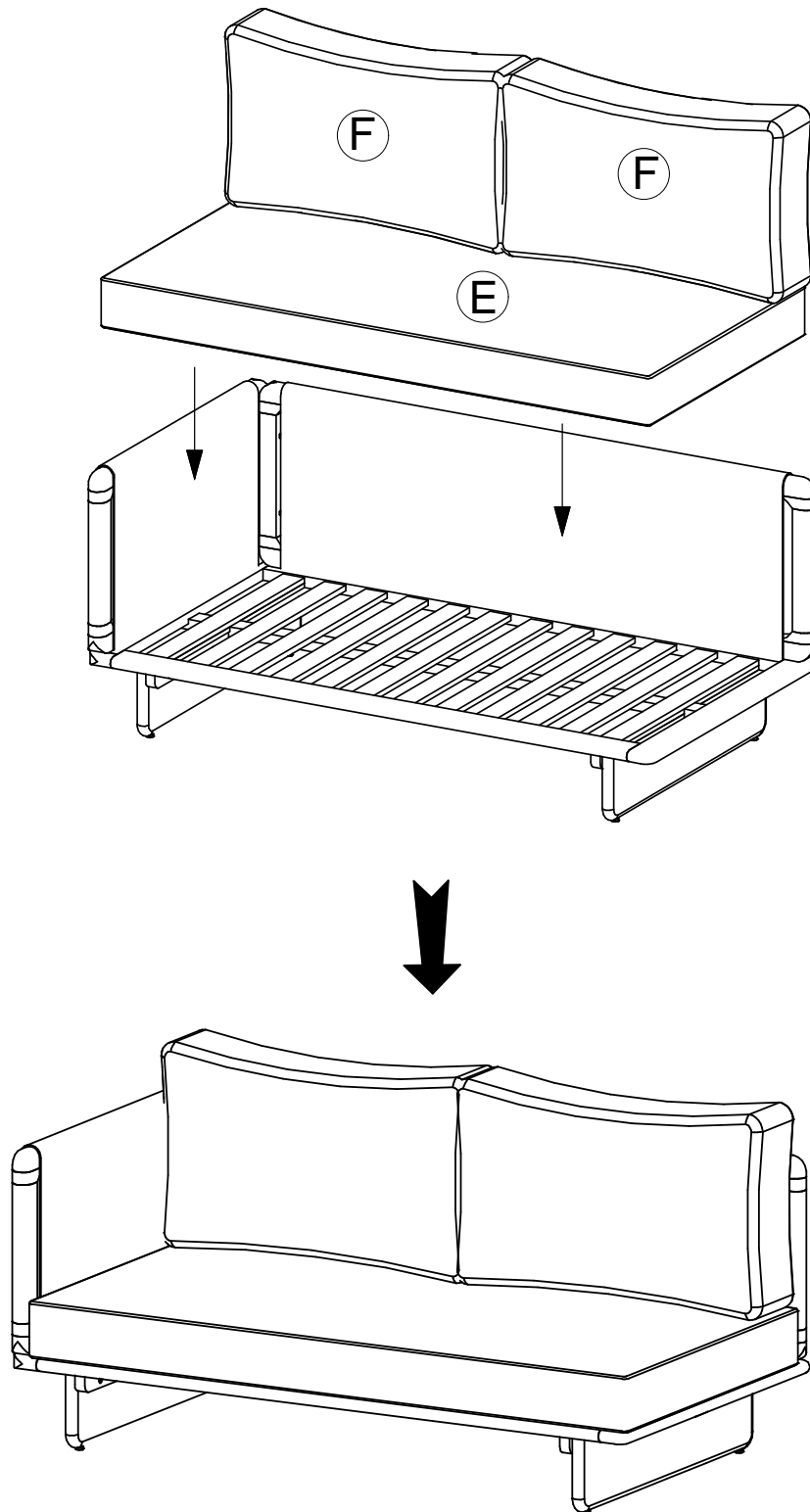
6.1 Remove plastic bag to decompress white foam Back Pillow (F).

6.2 Unzip Back Pillow Cover (G).

6.3 Insert Back Pillow (F) into matching Back Pillow Cover (G).

6.4 Adjust/smooth out cover and cushion before zipping pillow closed.

Step 7



Place the Seat Cushion (E) and Back Pillow (F) on the Loveseat in position as shown above.







Your Loveseat is ready to use.

The Loveseat can only be used on a flat, level surface.

Assembly Instructions

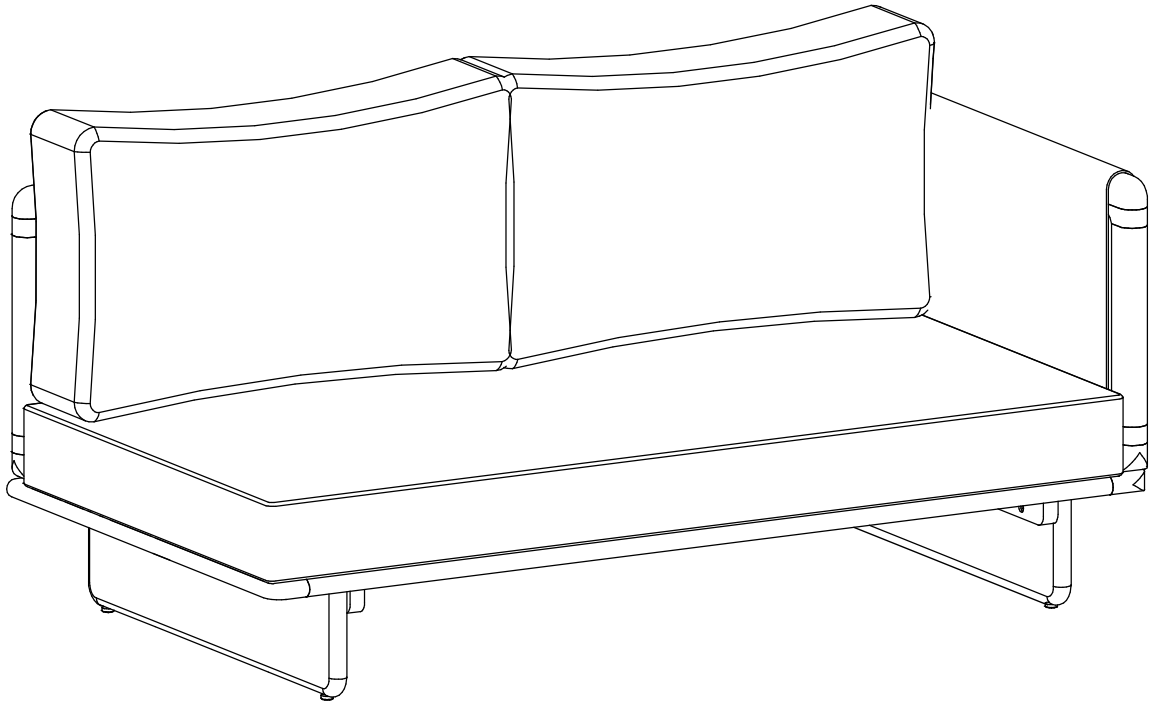
CAUTION: You must read this before you proceed.

Care & Maintenance

- ⊘  • Not for commercial use. For residential use only.
- ⊘  • Do not put hot items directly on furniture surface.
- ⊘  • Do not clean furniture with harsh cleansers or polish.
- ✓  • To obtain the longest lifespan of your outdoor products, minimizing exposure to direct sunlight is recommended.
- ⊘  • Children should not climb or jump on the furniture.
- ⊘  • Do not write on furniture without a padded barrier to protect the surface.
- ✓  • To obtain the longest lifespan of your outdoor products, avoid extended and lengthy exposure to rain, snow, and direct sunshine. Whenever possible cover the product and /or place under patio or awnings.
- ⊘  • Stains may be removed with mild soap solution and damp cloth.
- ✓  • Dust and pick-up spills using a clean, non-colored, lint- free cloth.

Please look in the Seat Panel for hardware packs

RIGHT LOVESEAT

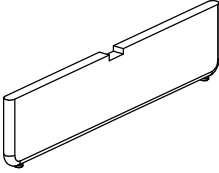
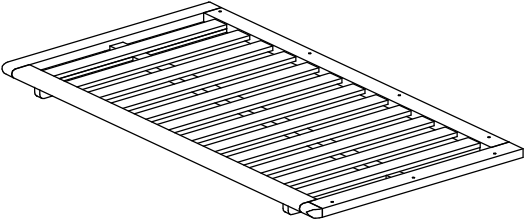
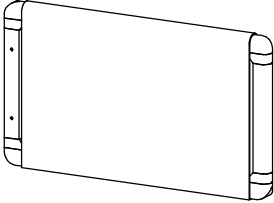
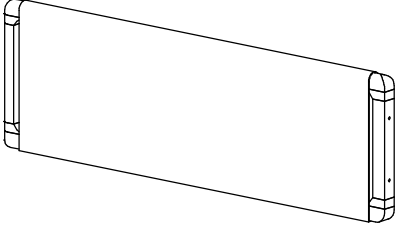
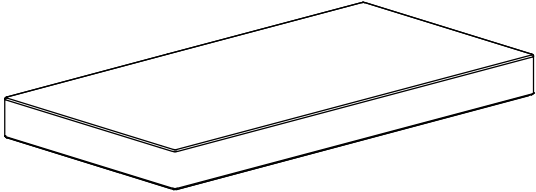
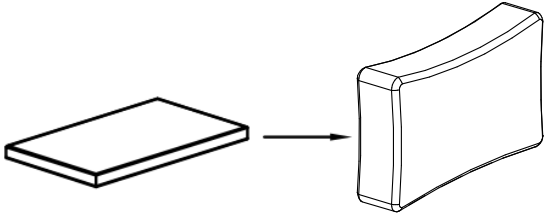



CAUTION: This Loveseat is NOT a TOY.


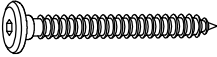

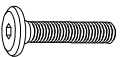
Keep your child / children at bay in the process of assembly.

For turning the Loveseat and to prevent damage to the Loveseat, 2 persons may be needed to execute this action.

Part list

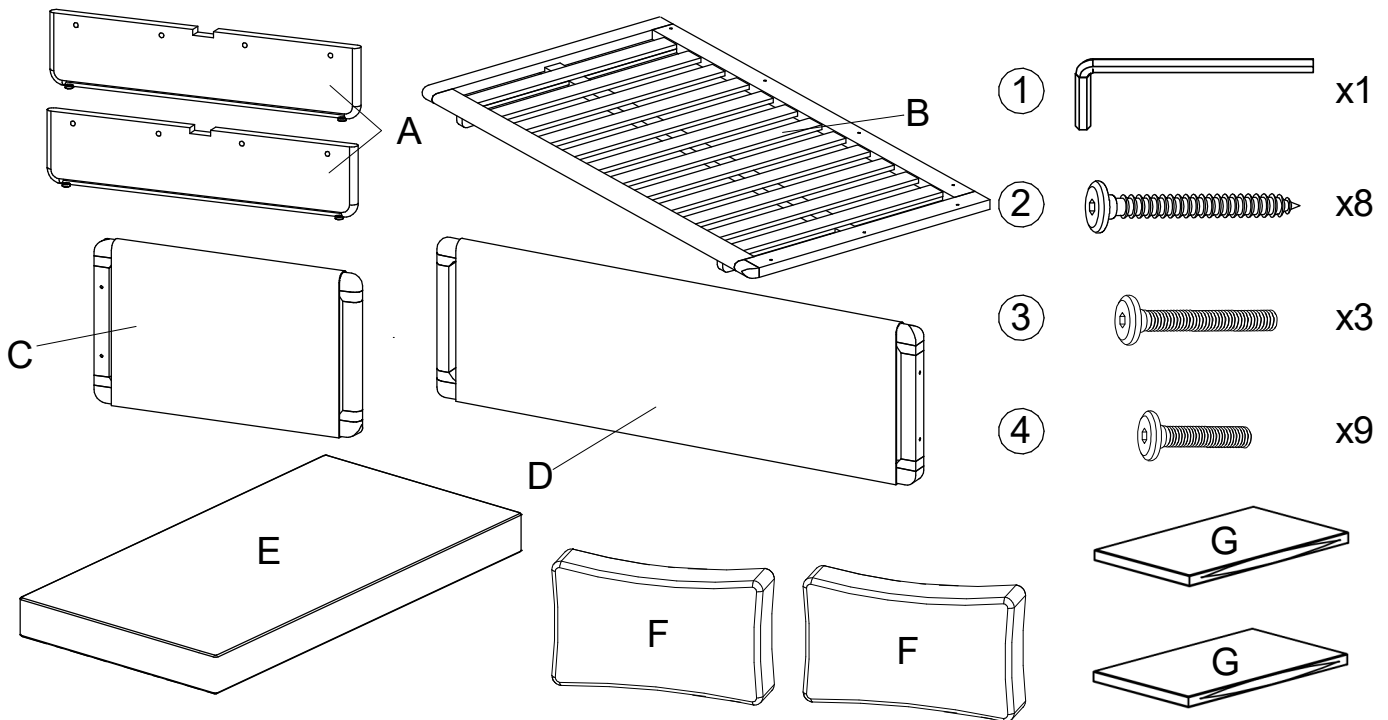
Label	Picture	Description	Qty
A		Leg	2
B		Seat Panel	1
C		Armrest Panel	1
D		Backrest Panel	1
E		Seat Cushion	1
F		Back Pillow	2
G		Back Pillow Cover	2

Hardware

Label	Picture	Description	Qty
①		Allen Wrench	1
②		Screw (M6x60)	8
③		Bolt (M6x50)	3
④		Bolt (M6x35)	9

Assembly Preparation

Before Beginning Assembly:



• Read instruction, cover to cover-



• Have 2 adults on hand for assembly-



• Do not assembly on flooring or carpet-



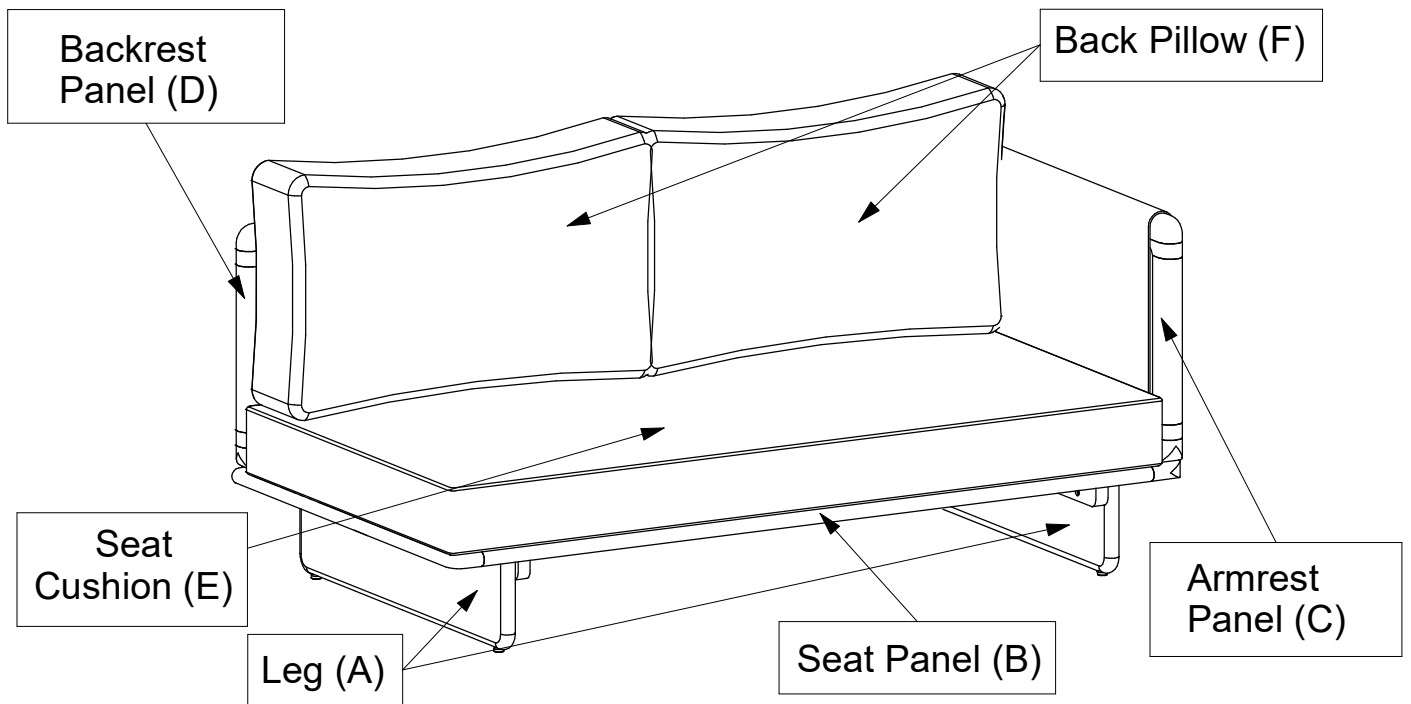
• Assemble on a clean non-marring surface (packing foam)-



• Save all packaging until finished-

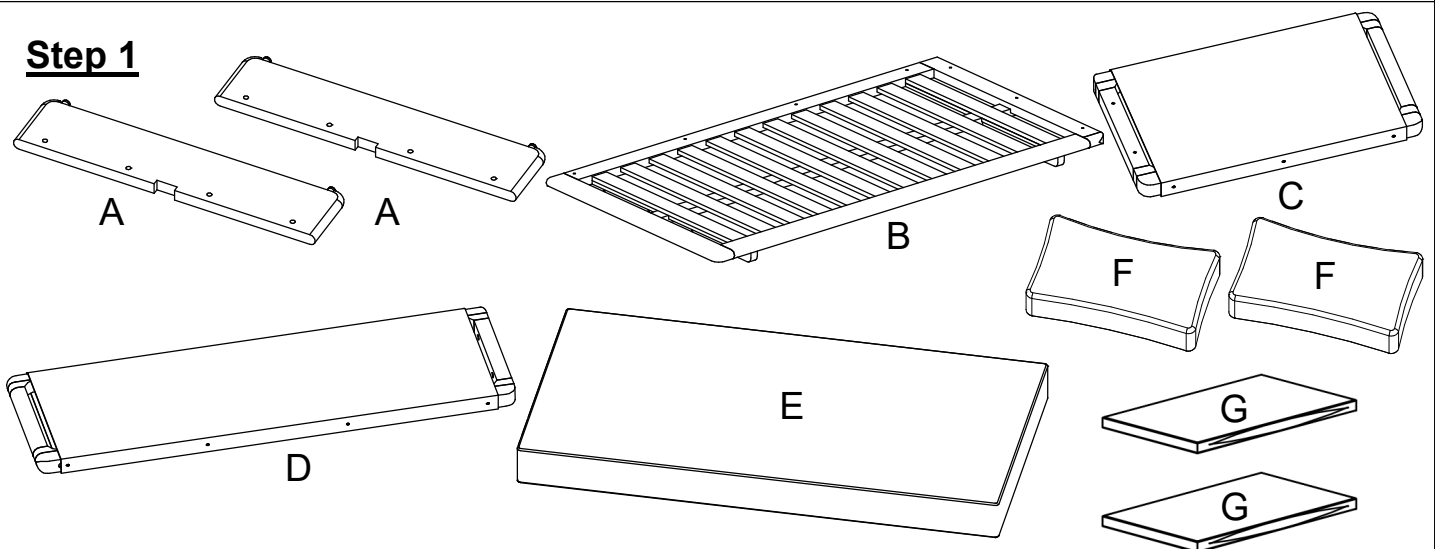
Assembly Steps

OVERVIEW



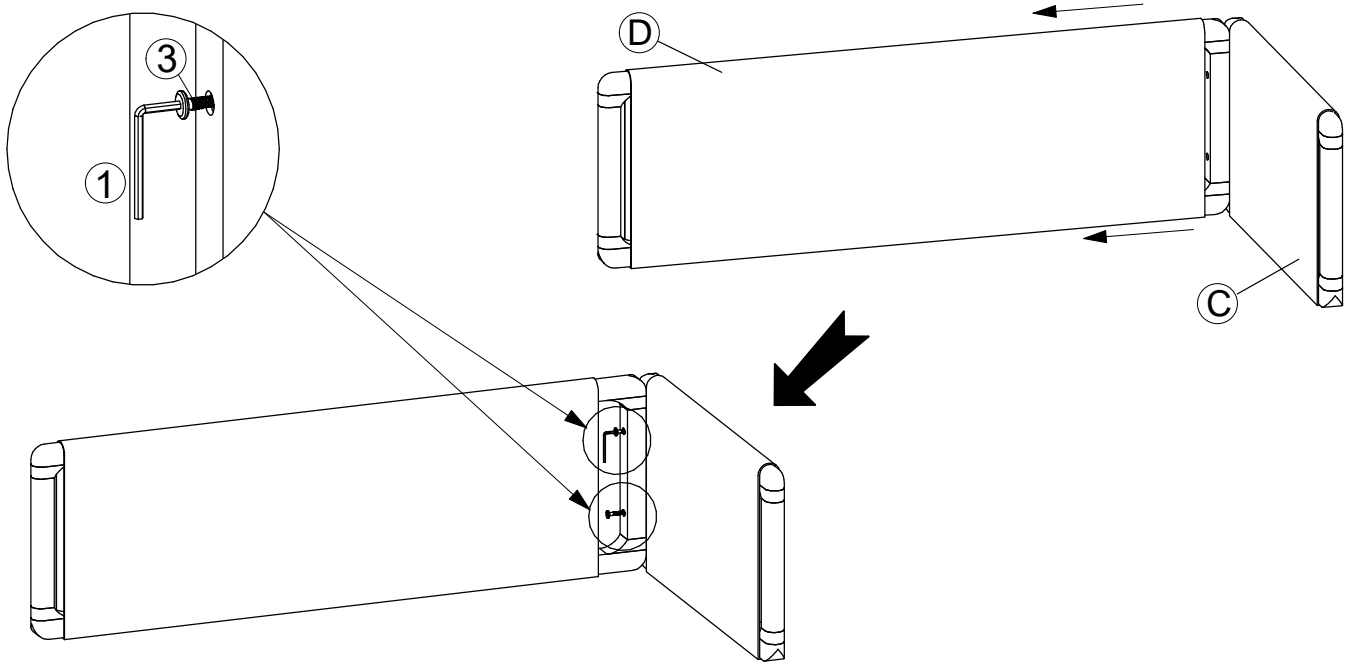
This Loveseat has multiple parts and may require up to some 30 minutes to assemble. To give you an overview of the Loveseat, the above picture is to help you put the various parts into perspective. Please read through the instructions here below to.

Step 1



Unpack and place all parts on a clean, non-marring surface.

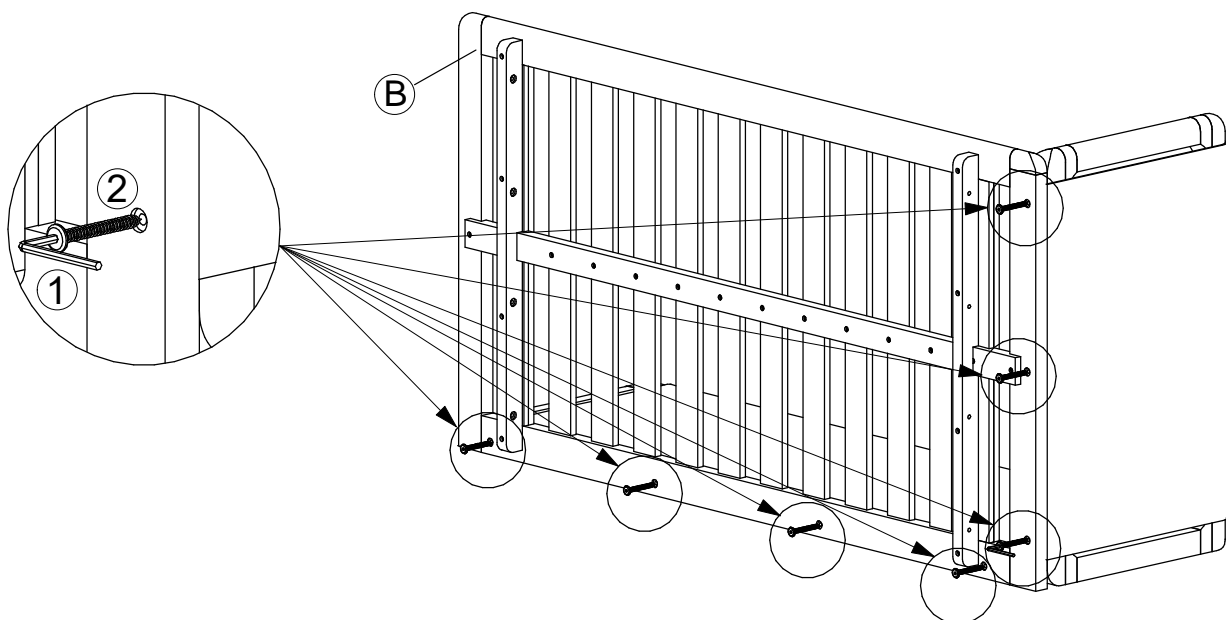
Step 2



With assistance from your adult partners, attach Armrest Panel (C) to Backrest Panel (D) by using 2 Bolts () with Allen Wrench () to secure as shown above.

DO NOT fully tighten the Bolts.

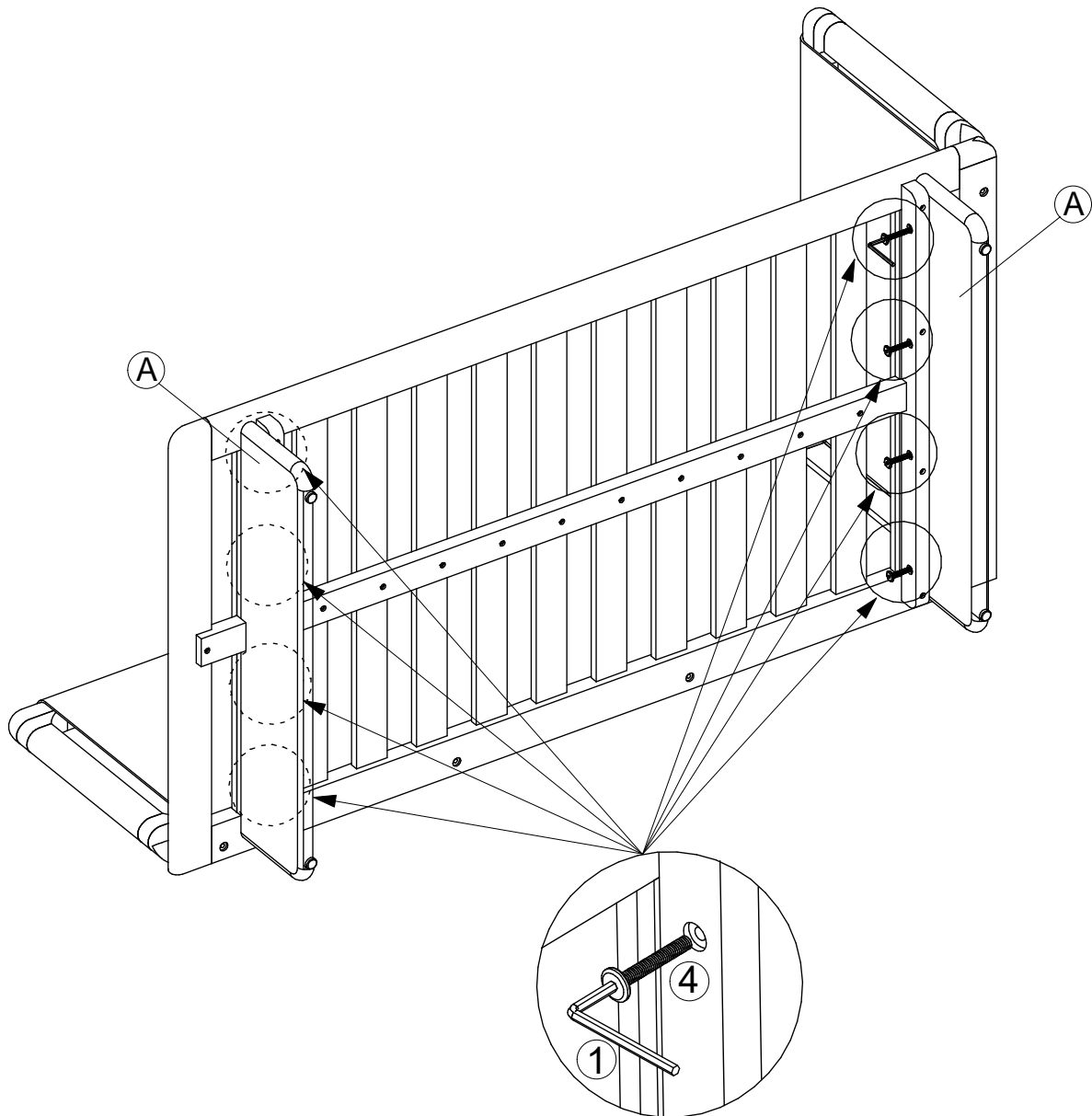
Step 3



With assistance from your adult partners, securing Seat Panel (B) with Armrest Panel (C) and Backrest Panel (D) by using 7 Screws () + Allen Wrench () as shown above picture.

DO NOT fully tighten the Screws.

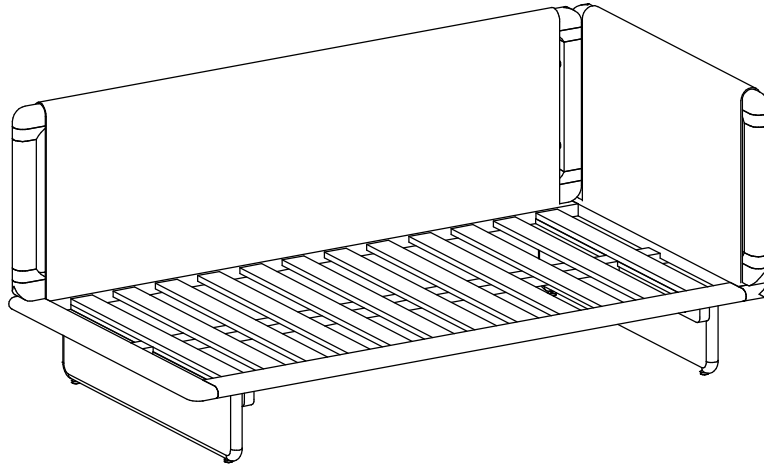
Step 4



With assistance from your adult partners, attach Leg (A) to Seat Panel (B) by using 8 Bolts () with Allen Wrench () to secure.

DO NOT fully tighten the Bolts.

Step 5



Turn the Loveseat to the right side.

Inspect it and make sure all parts are adequately connected.

Gently and gracefully, sit onto the Loveseat.

This will help to align all the parts at all joint areas.

Then get off the Loveseat and proceed to tighten the Bolts and Screws in a sequential manner.

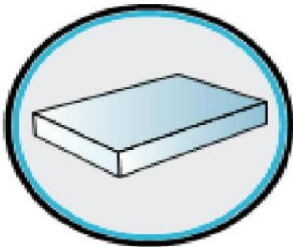
When tightening the Bolts, Screws tighten sequentially.

DO NOT tighten any Bolts, Screws fully and then move on towards the next one.

If there are still wobbles, loosen the Bolts, Screws and execute this same process.

Step 6

1.



2.



3.



4.



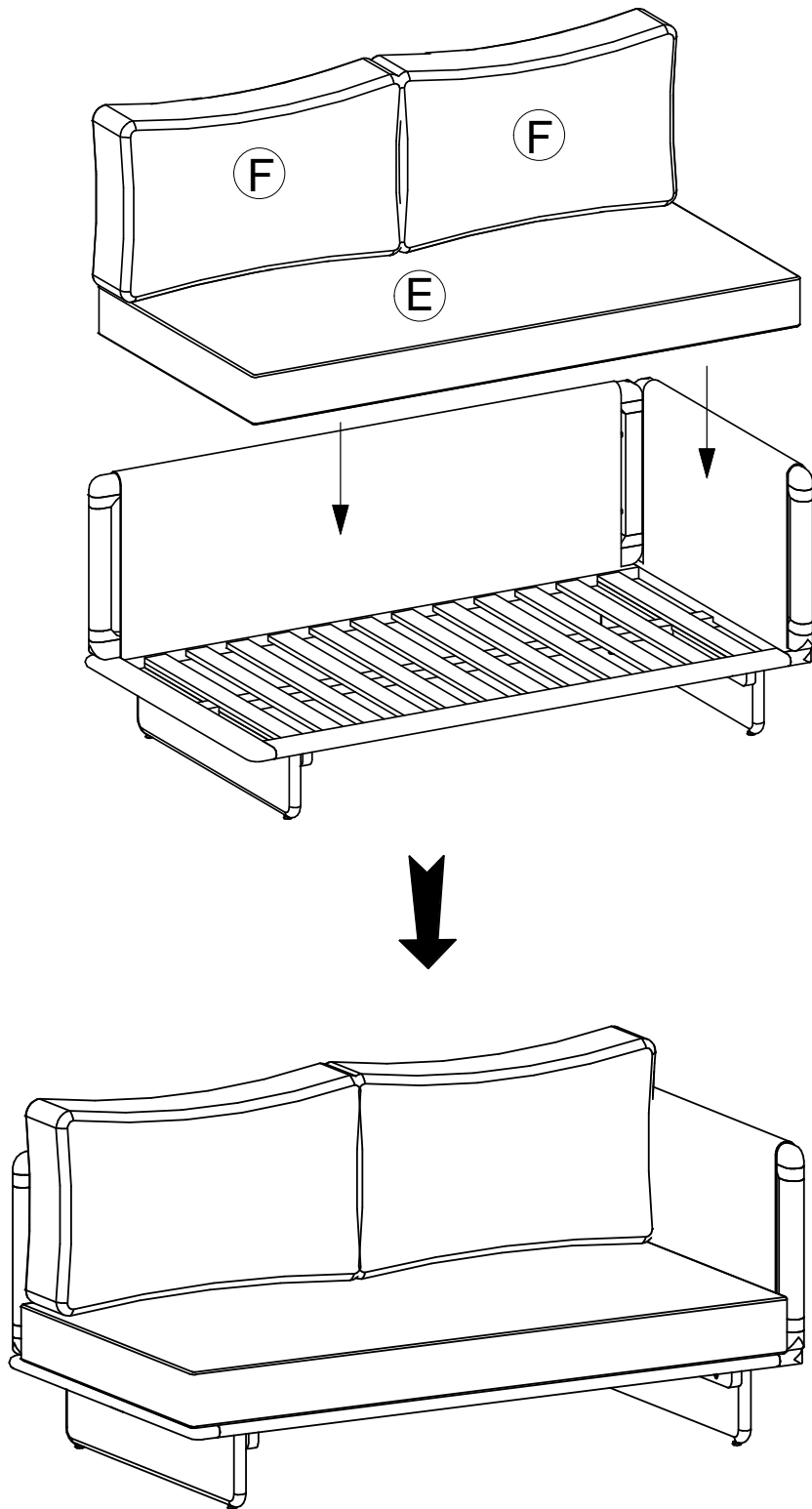
6.1 Remove plastic bag to decompress white foam Back Pillow (F).

6.2 Unzip Back Pillow Cover (G).

6.3 Insert Back Pillow (F) into matching Back Pillow Cover (G).

6.4 Adjust/smooth out cover and cushion before zipping pillow closed.

Step 7



Place the Seat Cushion (E) and Back Pillow (F) on the Loveseat in position as shown above.

Your Loveseat is ready to use.

The Loveseat can only be used on a flat, level surface.