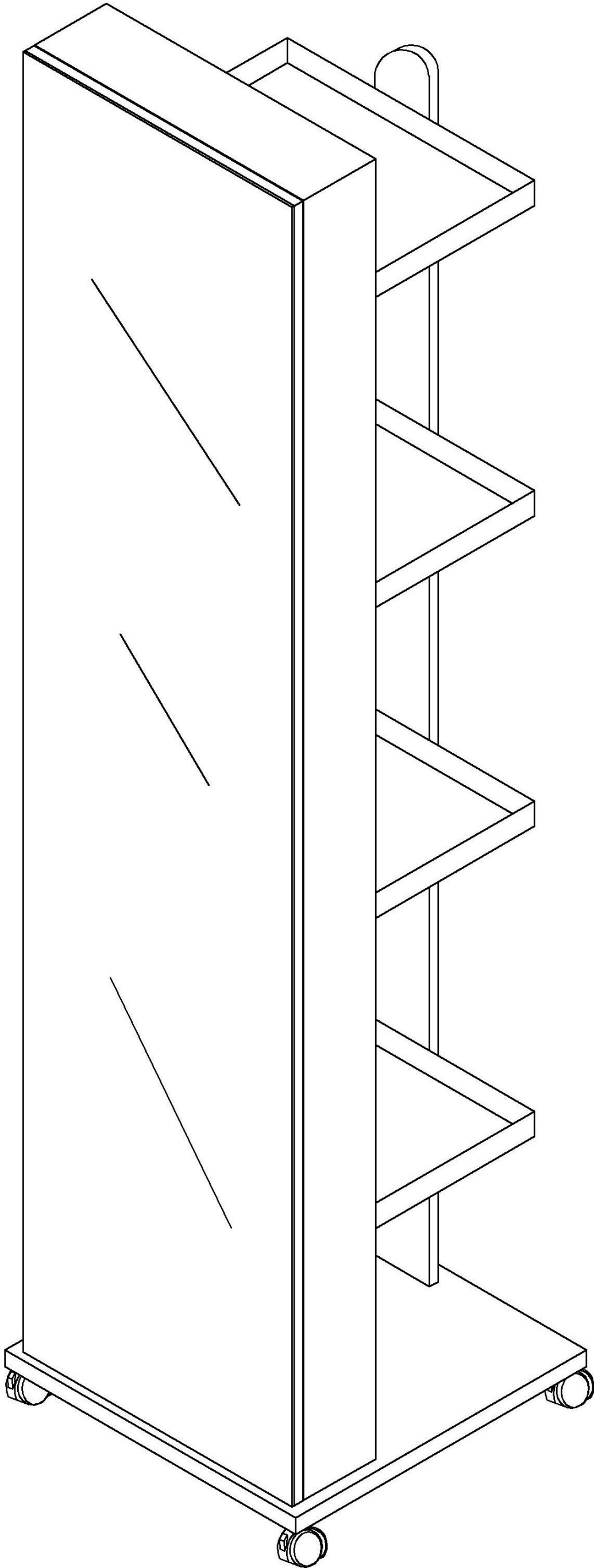
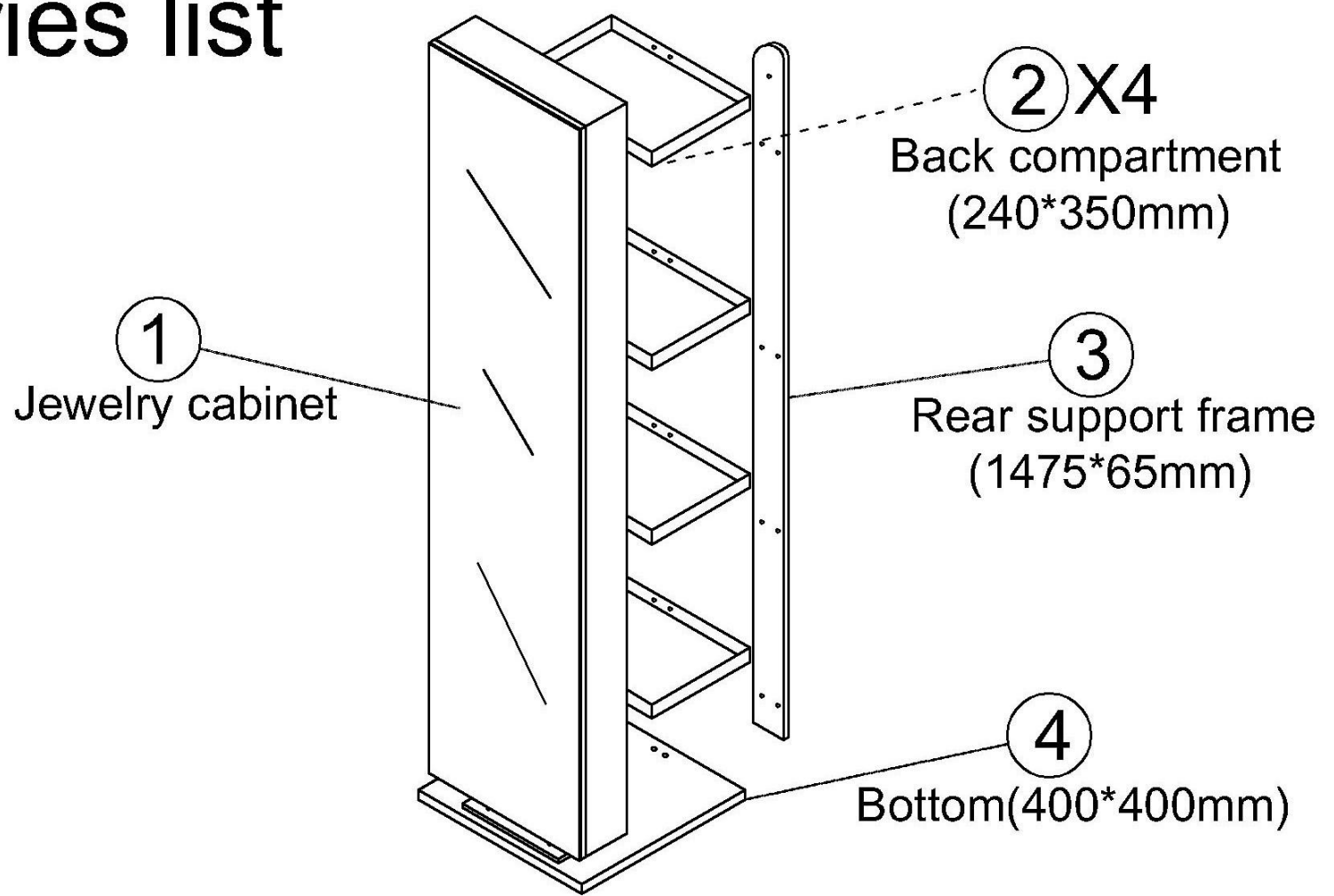


MIRROR JEWELLERY CABINET





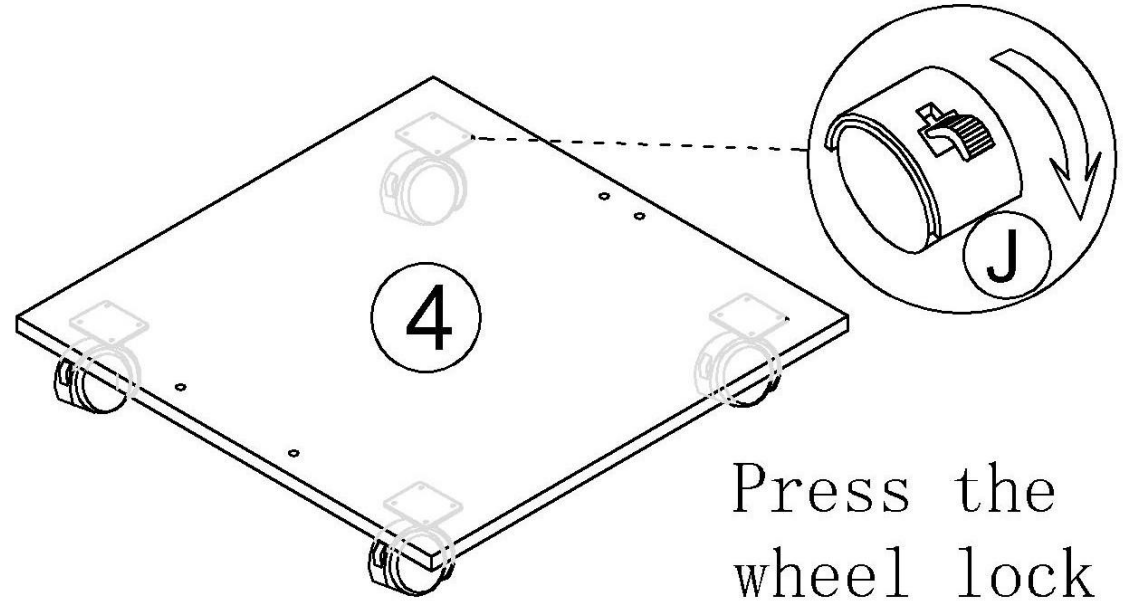
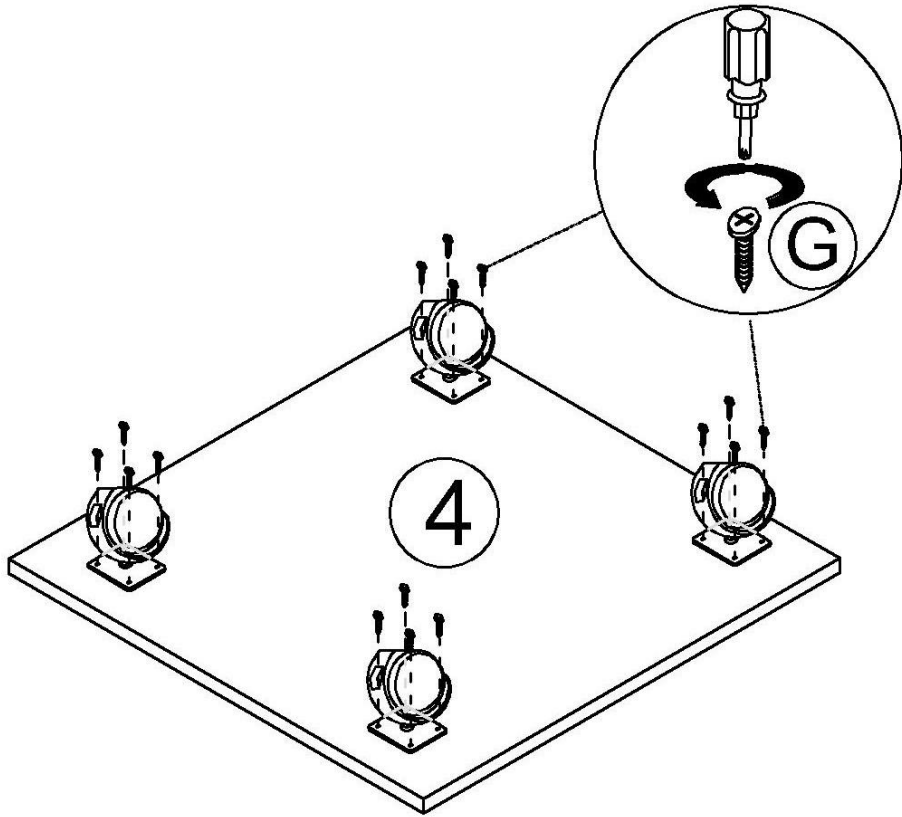
Accessories list



(A)		Long screw(6*40mm)	2 Pcs
(B)		The key	1 Pcs
(C)		Long cross screw assembly (5*20mm)	8 Pcs
(D)		Short cross screw assembly (5*8mm)	6 Pcs
(E)		Bolt driver	1 Pcs
(F)		Short screw(6*16mm)	2 Pcs
(G)		Wheel/Screw (3.5*12mm)	16 Pcs
(H)		Hammer nut	2 Pcs
(I)		Long screw(6*30mm)	2 Pcs
(J)		Wheel	4 Pcs
(K)		Self tapping wire(3x16mm)	1 Pcs
(L)		Colloidal granules/Self tapping wire(4x45mm)	1 Pcs
(M)		Anti-rewind (290mm)	1 Pcs


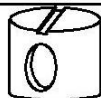
Step 1

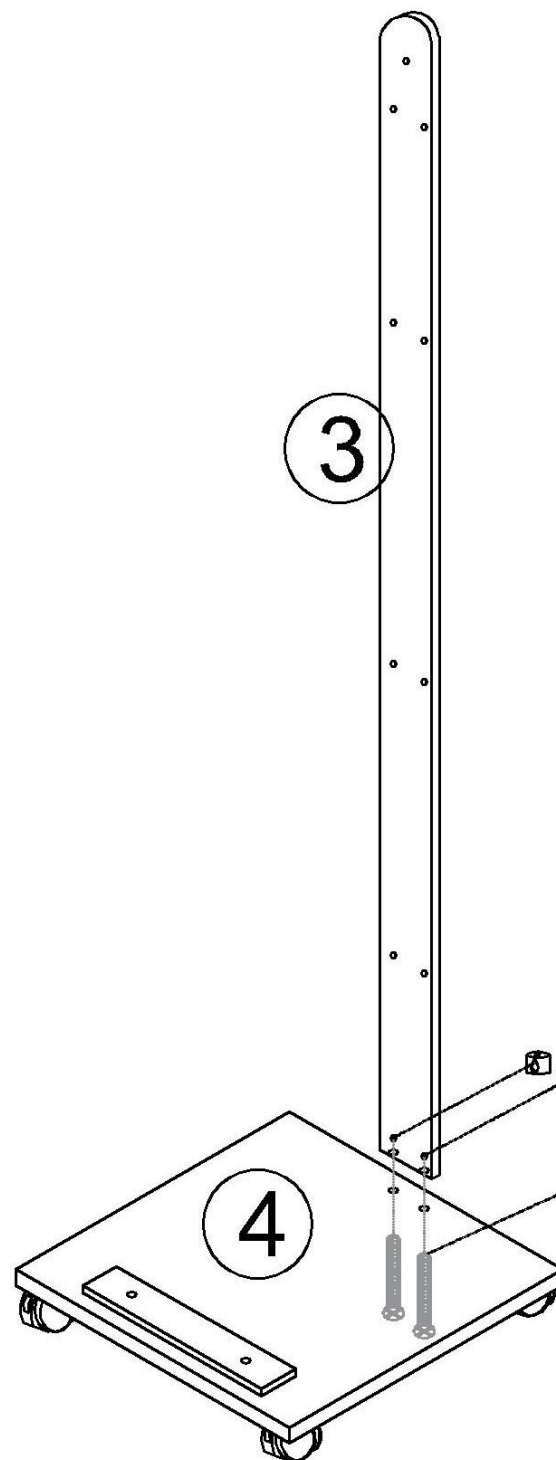
(G)	 (3.5*12mm) x 16
(J)	 x 4



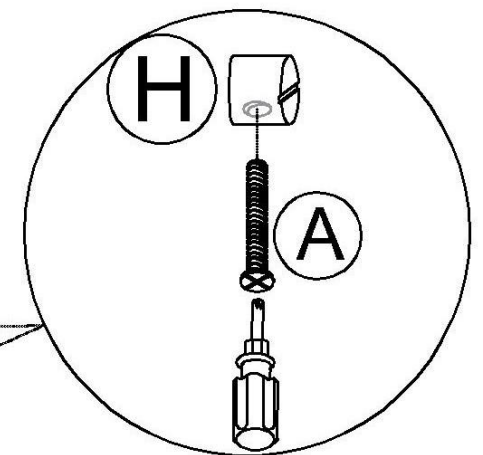
Press the wheel lock

Step 2

(A)	 (6*40mm) x 2
(H)	 x 2



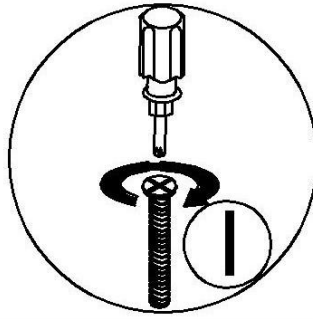
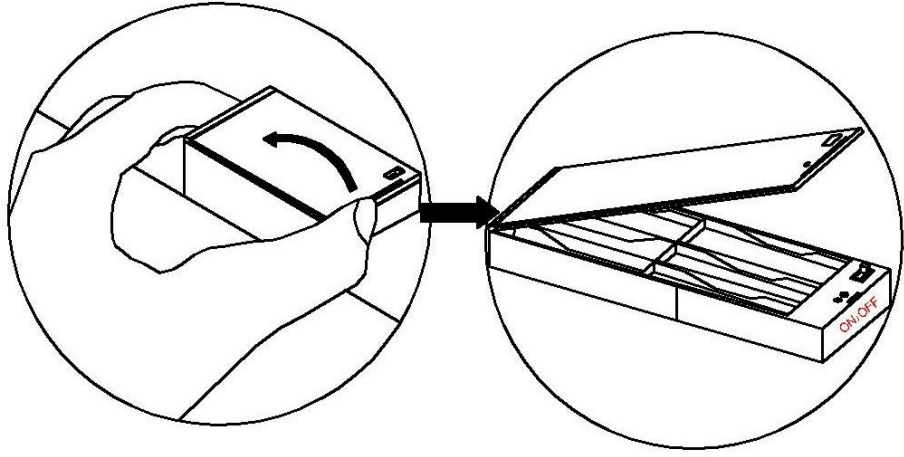
Use long screw
(A) (6*40mm)



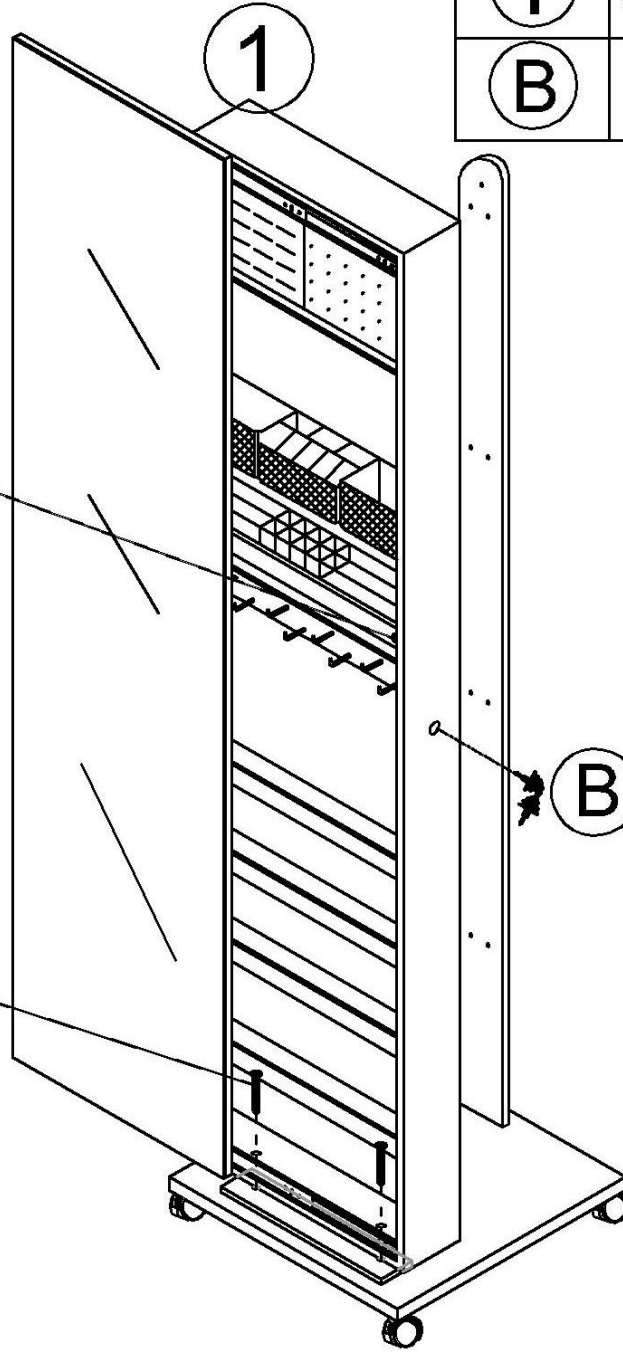
Step 3



Battery installation

(Tip: use 6 AA Batteries)

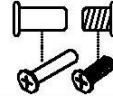
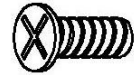
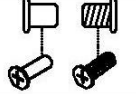


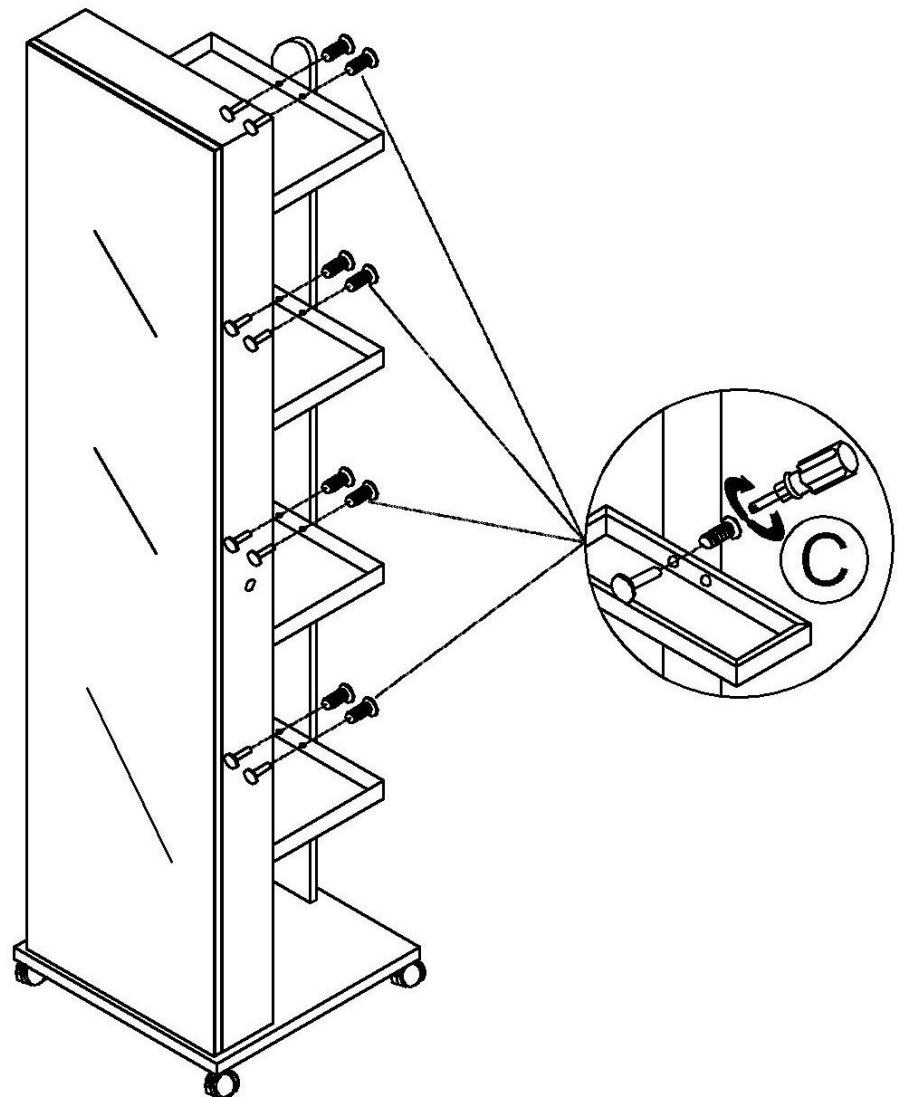
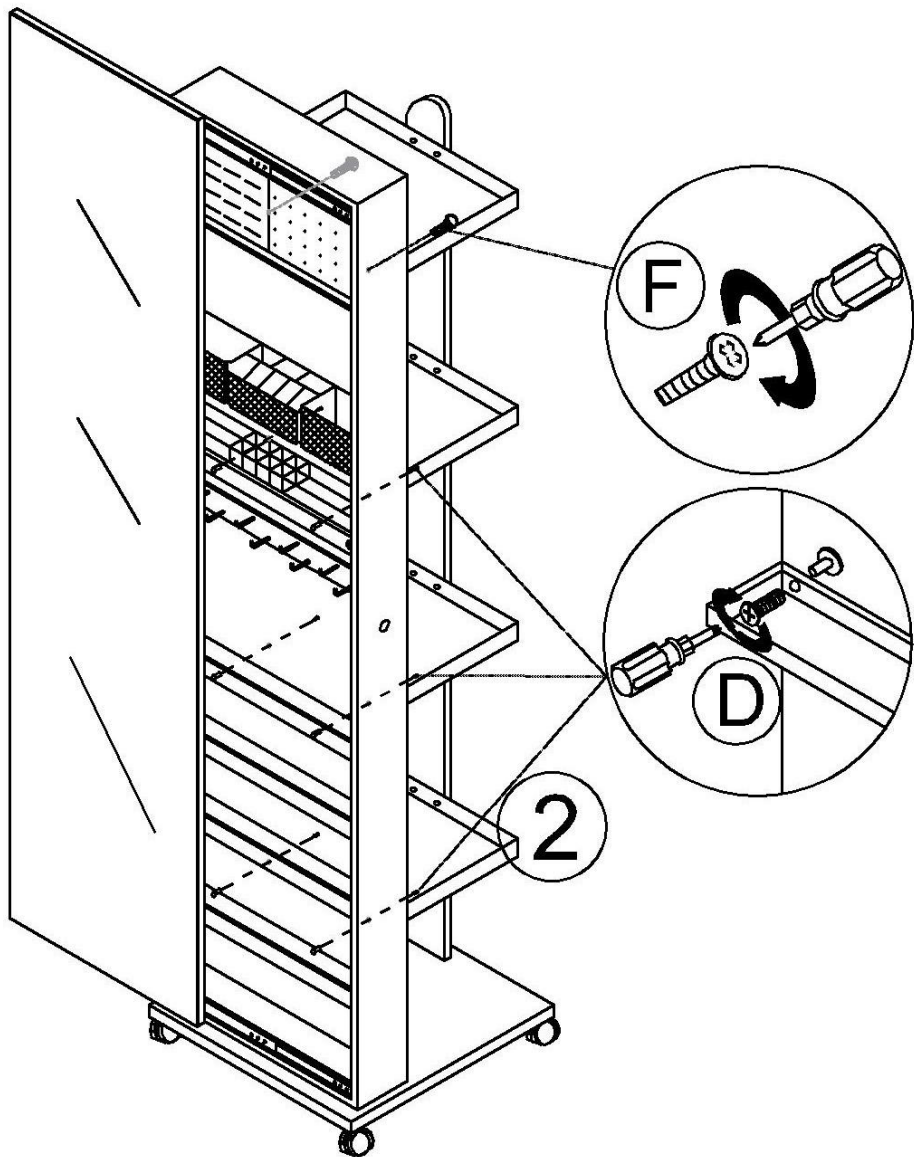
Use short screw
I (6*30mm)



I	 (6*30mm)	X 2
B		X 1

Step 4

C	 (5*20mm)	X 8	F	 (6*16mm)	X 2
D	 (5*8mm)	X 6			



Step 5

(K)

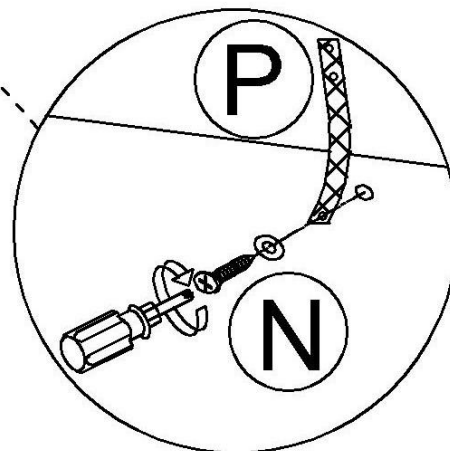
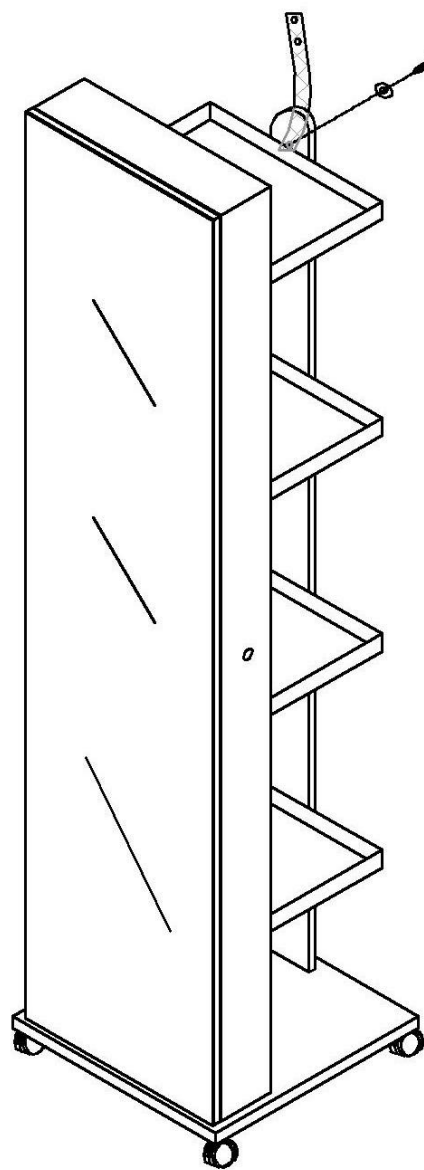


x 1

(M)



x 1



Step 6

(L)



x 1

