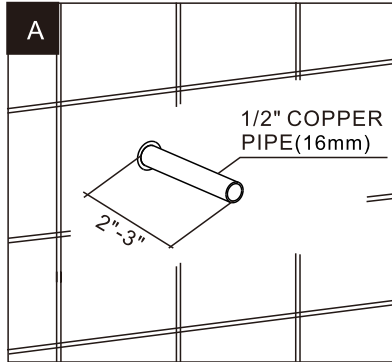


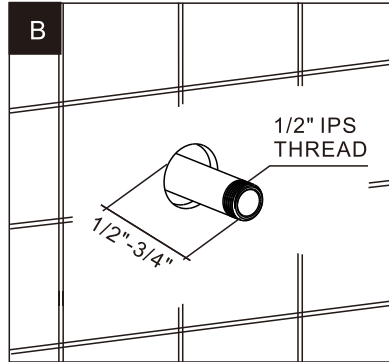
# Diverter tub spout

Instructions: Remove old tub spout.

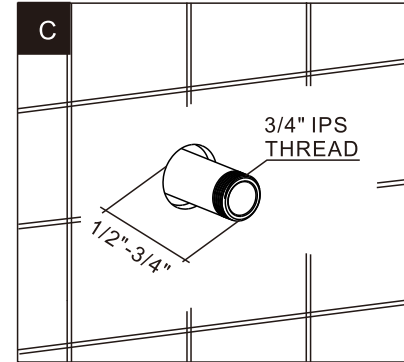
Before installation, please compare your photos with the images to determine.



1/2" COPPER PIPE (16mm)



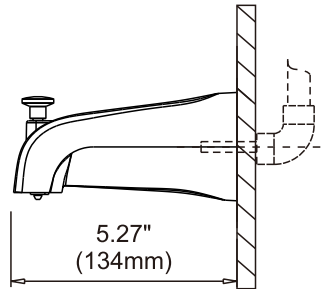
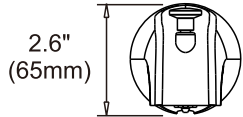
1/2" IPS THREAD OUT NIPPLE



3/4" IPS THREAD OUT NIPPLE



74A01

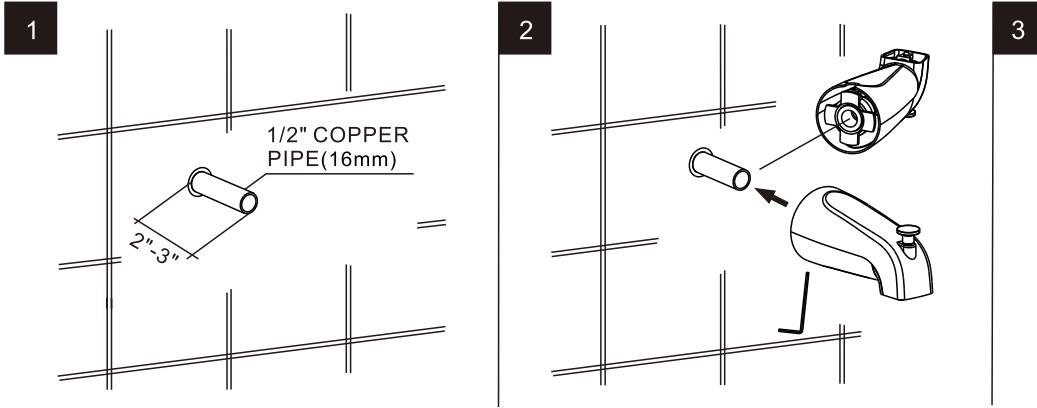


## Note:

1. Instructions for Tub Spout Note: A small amount of water is intended to flow from the spout when the diverter is engaged. This is a safety feature to help prevent unintended release of water.

2. Turn Shower "ON".  
TEST FOR LEAKS.  
Caution: Do not use if leaking from the rear.  
It may damage the walls.

## 1/2" Copper Pipe Slip Connection.



1. Measure length from wall surface to end of copper pipe, must be between 2" and 3" long.

2. End of copper pipe should be even, Use sandpaper to remove burrs and sharp edge from end of tubing and to polish tube surface to a smooth, bright copper color.

3. Lubricate copper pipe with silicone grease. Slide Diverter tub spout onto copper pipe.

4. screw into retainer ring .Tighten screw until it pierces copper pipe.

**CAUTION: DO NOT OVERTIGHTEN.**

**THIS WILCAUSE PERMANENT DAMAGE.**