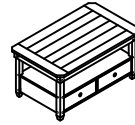


# ASSEMBLY INSTRUCTIONS



988-910

## TOOLS REQUIRED:

- Allen Wrench (supplied, Part # D)
- Phillips Head Screwdriver ( Not supplied)

## BEFORE YOU START:

1. Check the hardware against the hardware list to make sure all items are present.
2. Assemble your furniture on a soft, flat surface to avoid scratching the finish.
3. **CAUTION:** Do not over tighten screws, nuts or bolts during assembly.
4. Your furniture may require occasional tightening.

## INSTRUCTIONS:

1. Attach the four legs to the shelf using Flat Washer (C), Lock Washer (B) and Bolt (A), tighten with the Allen Wrench (D). As Shown in Figure 1. (Do not over tighten bolts during assembly. )
2. Attach the four casters (E) to the shelf using screw (F) & tighten with the screwdriver. As Shown in Figure 2.
3. Put the table top to the four legs .As Shown in Figure 3.
4. Attach the table top to the four legs using Flat Washer (C), Lock Washer (B) and Bolt (A), tighten with the Allen Wrench (D). As Shown in Figure 4.(Do not over tighten bolts during assembly. )
5. Tighten all bolts before setting table back upright.

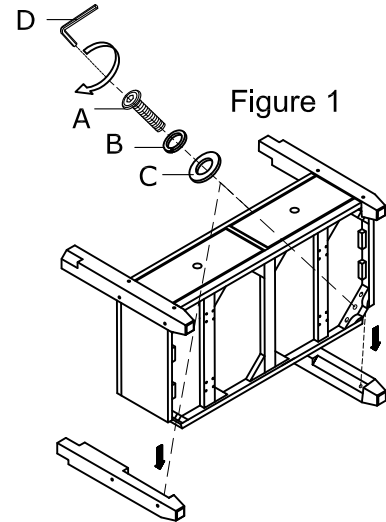


Figure 1

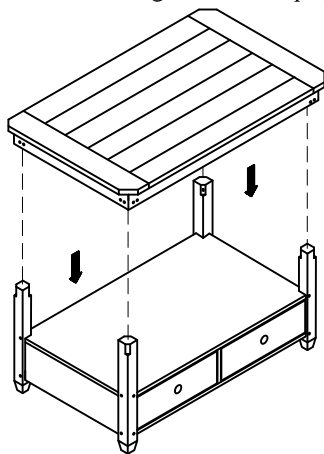
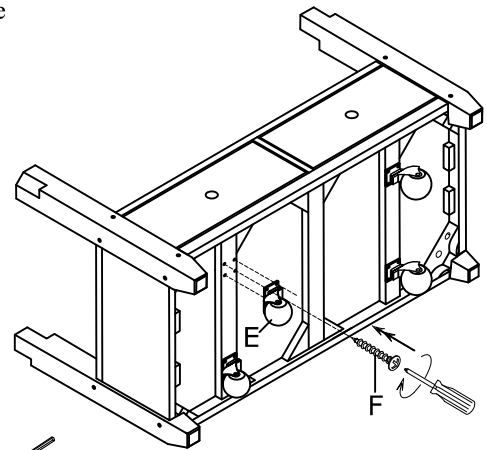


Figure 3

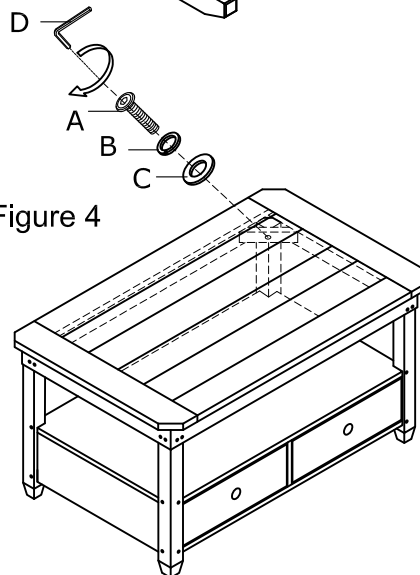


Figure 4

## HARDWARE LIST

NO.	Drawing	Description	Q'TY
A		Allen Bolt (Ø5/16 "x 2")	8pcs
B		Lock Washer (Ø5/16 "x13mm)	8pcs
C		Flat Washer (Ø5/16 "x19x2mm)	8pcs
D		4mm Allen Wrench	1pc
E		Caster	4pcs
F		Screw (#3.5 * 15mm)	16pcs