

INTRODUCTION

Thank you for choosing the Storage Cabinet. Please read this user manual carefully and keep it for future reference. If you need any assistance, please contact us by email with your order number and details.


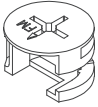


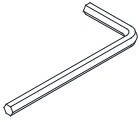
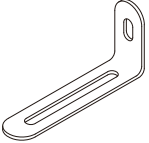



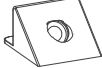
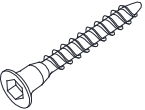
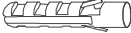
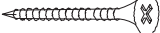
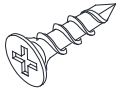
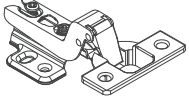
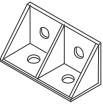
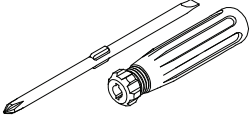
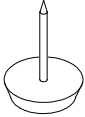
PACKAGE CONTENTS

- Storage Cabinet
- Pack of Accessories
- User Manual

PRODUCT CARE

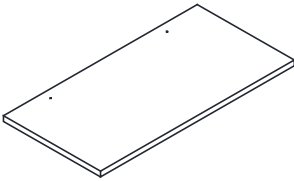
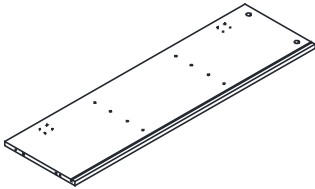
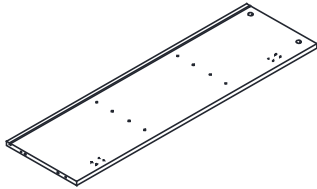
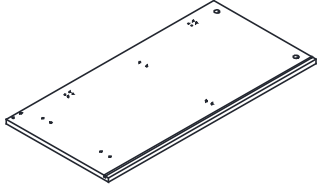
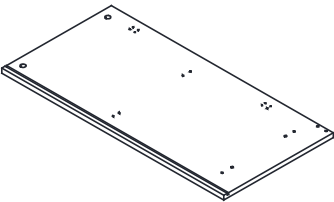
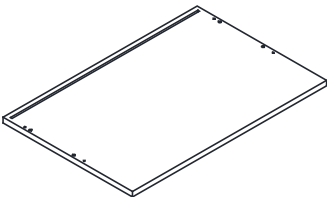
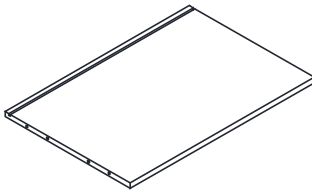
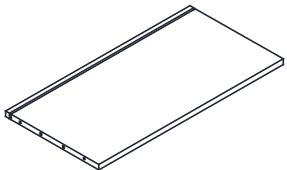
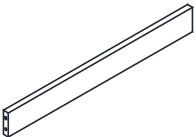
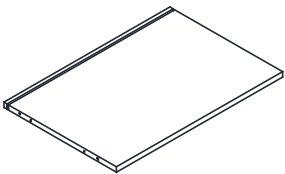
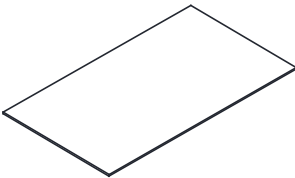
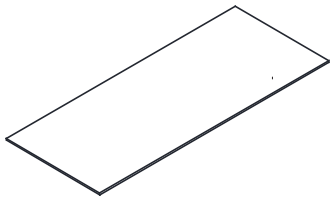
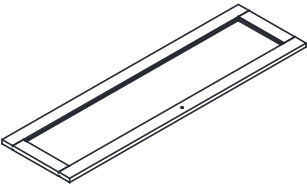
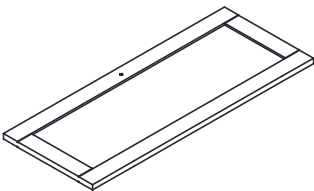
- Please follow the instruction to assemble this item correctly.
- Don't make the screws be too loose or too tight.
- Please put the screws into the holes' position just as shown in the arrows of the image, and then clockwise rotate 90° or 180°
- The fittings pack contains small accessories that should be kept away from small children.

HARDWARE SUPPLIED

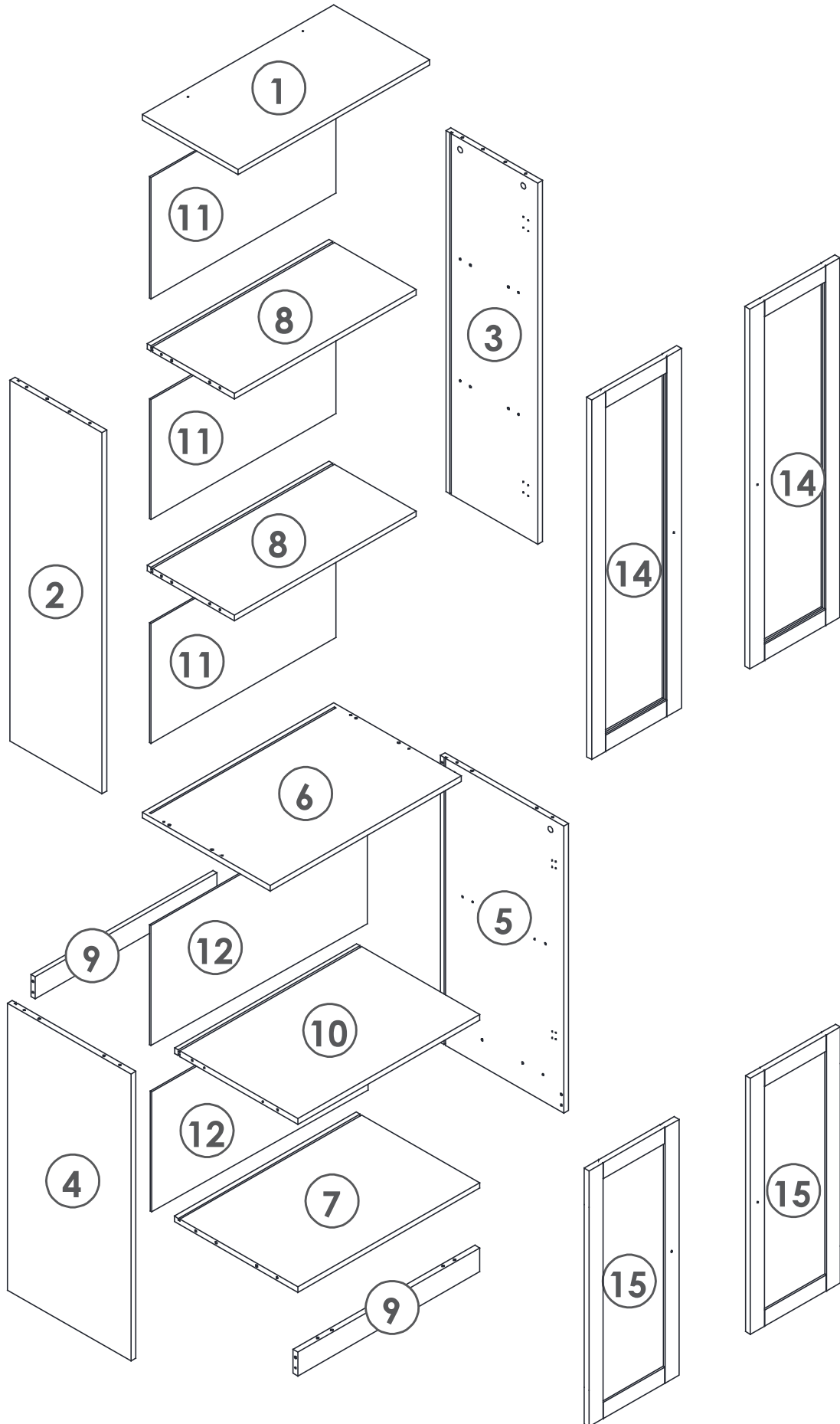
A 6.5*36mm  x34	B 15*9.8mm  x34	C 6*30mm  x38	D M3*16mm  x21	E M4*57mm  x1
F F1  x2	F2  x2	G 28*22mm  x4	H 4*18mm  x4	I 14*15*11mm  x21
J #9.5*M5*46mm  x4	K 6*35mm  x2	L M4*35mm  x2	M M3.5*14mm  x54	N  x8
O 33*20*20mm  x2	P 	Q 13.8*18*4mm  x4		

PARTS LIST

Unit: (mm)

1 600*298  x1	2 986*288  x1	3 986*288  x1	4 788*388  x1
5 788*388  x1	6 600*398  x1	7 569*387  x1	8 569*270  x2
9 569*65  x2	10 569*370  x1	11 577*327  x3	12 577*355  x2
14 980*280,5  x2	15 704*280,5  x2		

PANEL LAYOUT



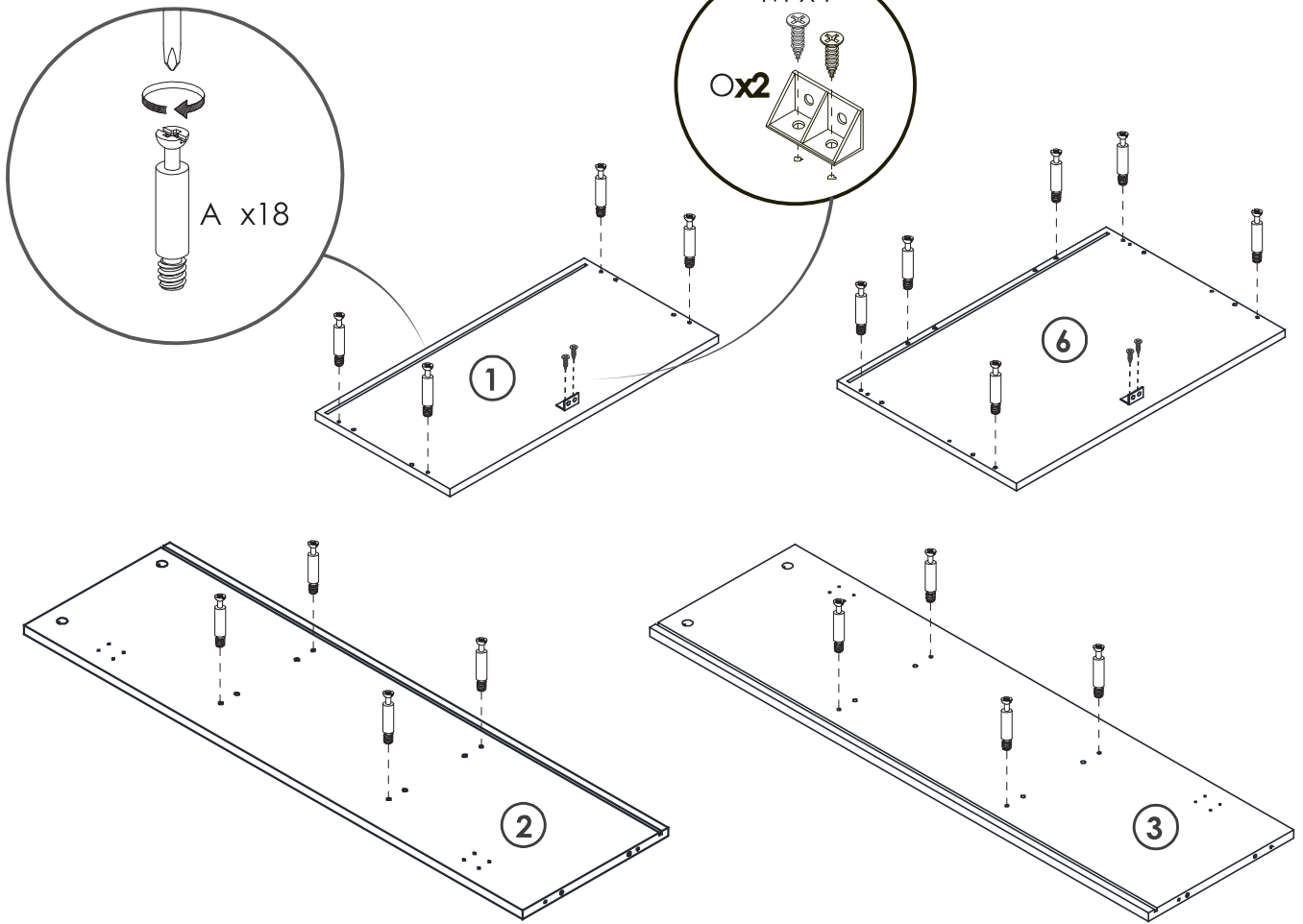
1

YOU WILL NEED

A x18

Ox2

M x4

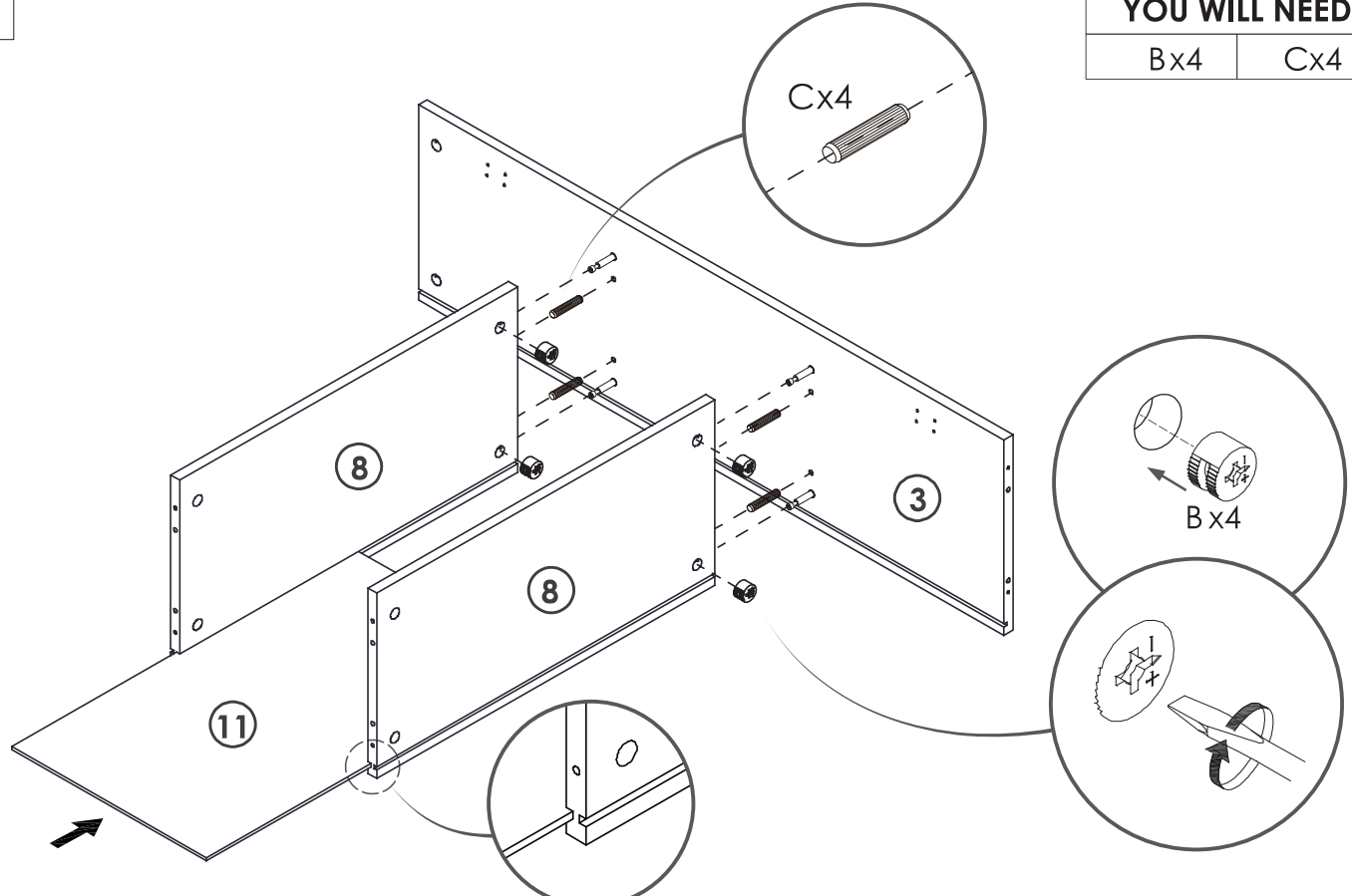


2

YOU WILL NEED

Bx4

Cx4

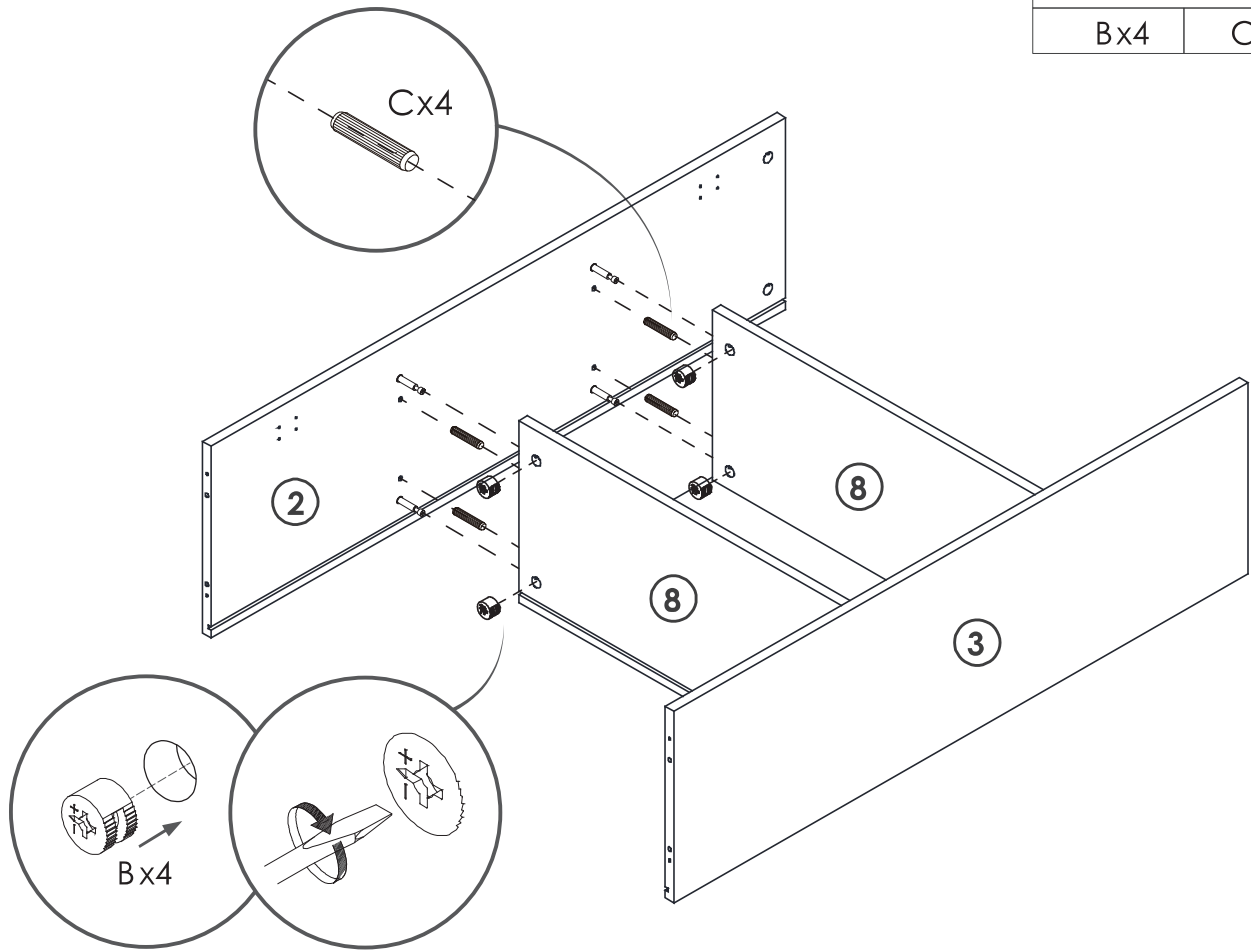


3

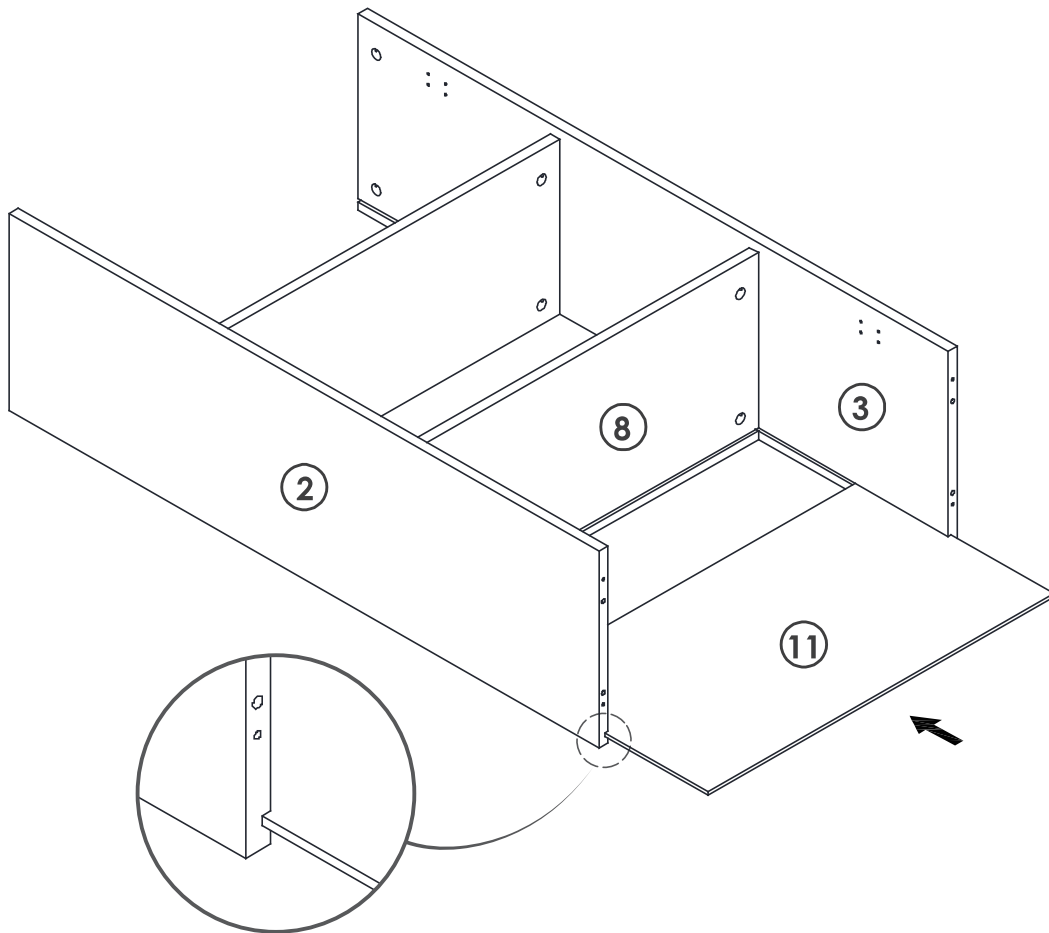
YOU WILL NEED

Bx4

Cx4



4



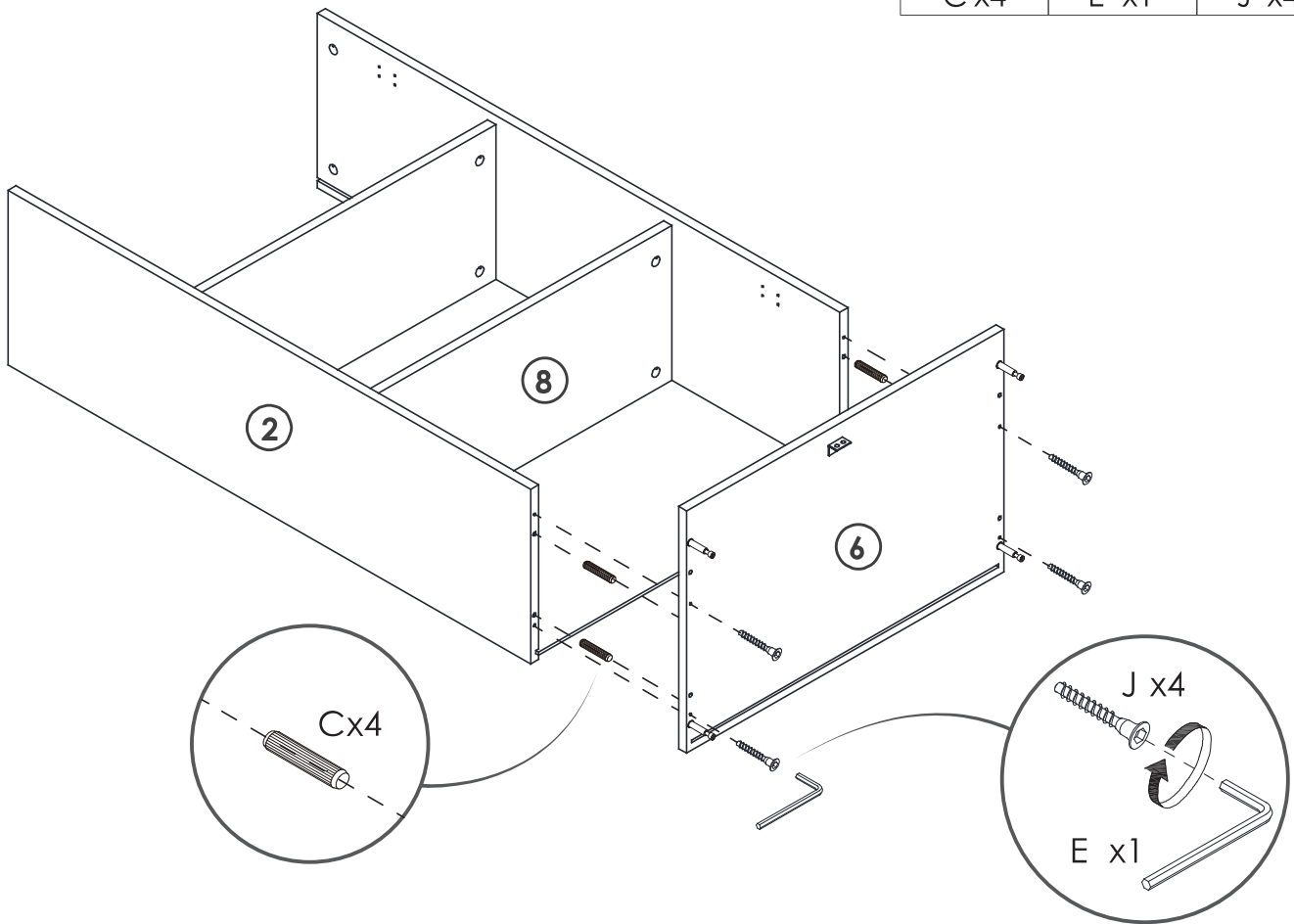
5

YOU WILL NEED

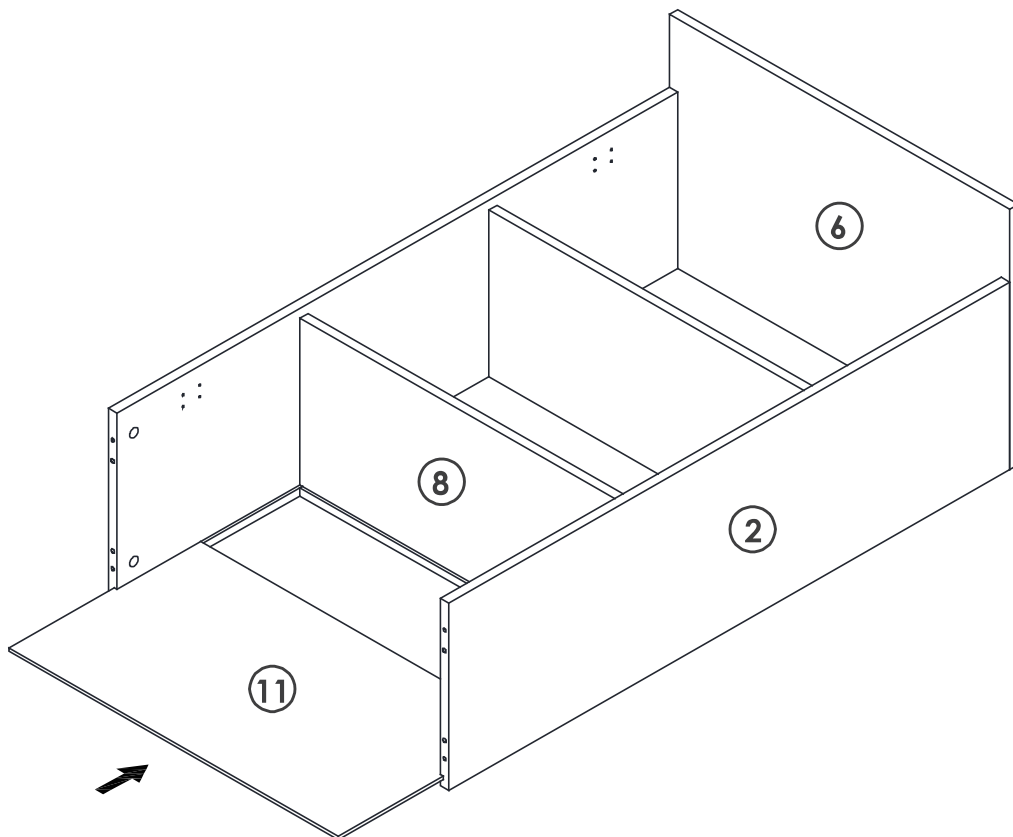
C x4

E x1

J x4



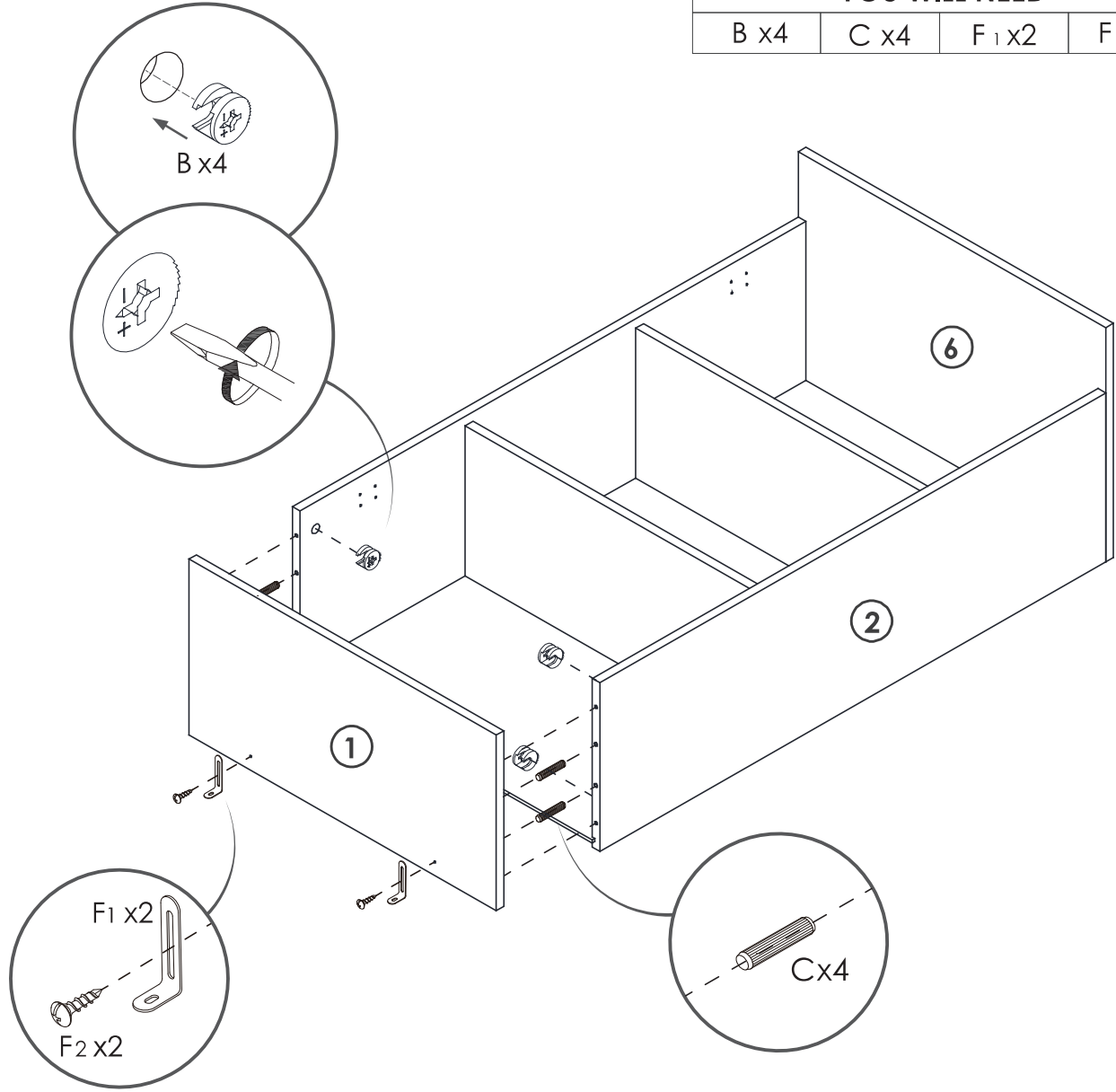
6



7

YOU WILL NEED

B x4	C x4	F ₁ x2	F ₂ x2
------	------	-------------------	-------------------



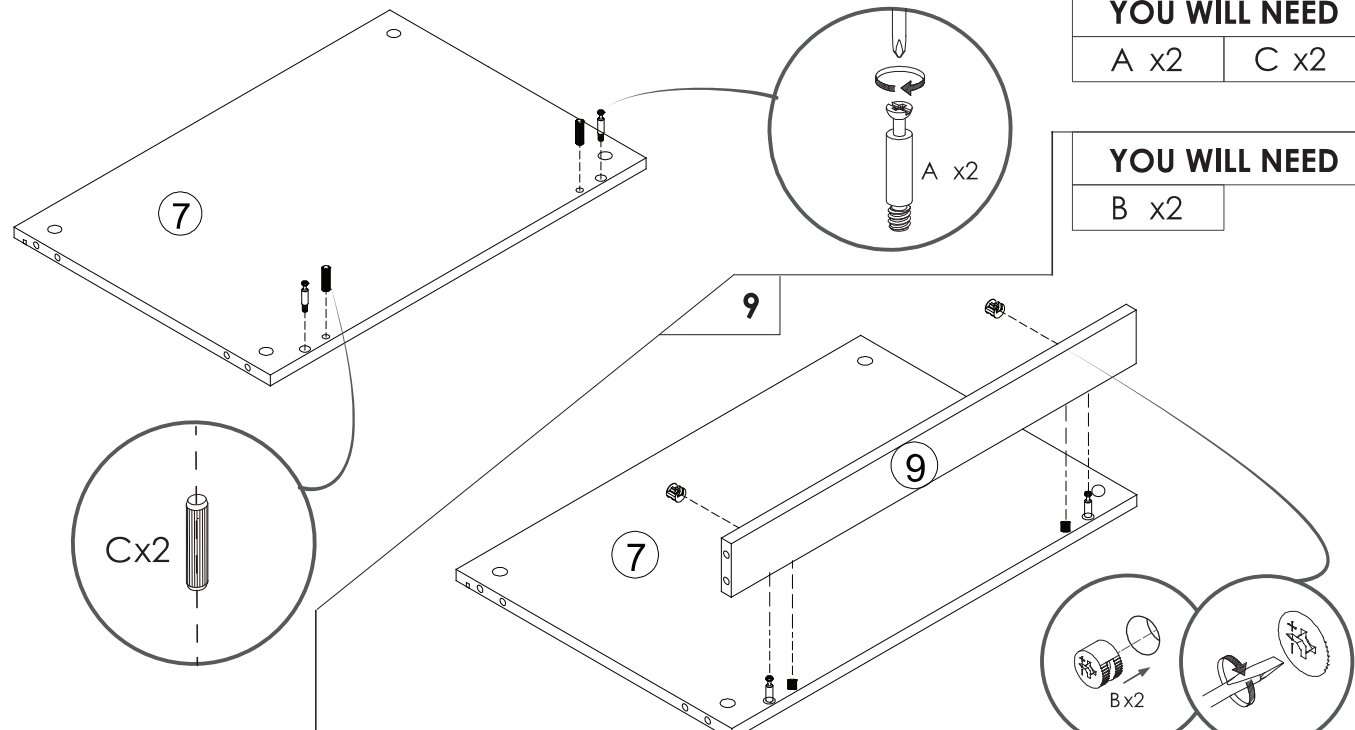
8

YOU WILL NEED

A x2	C x2
------	------

YOU WILL NEED

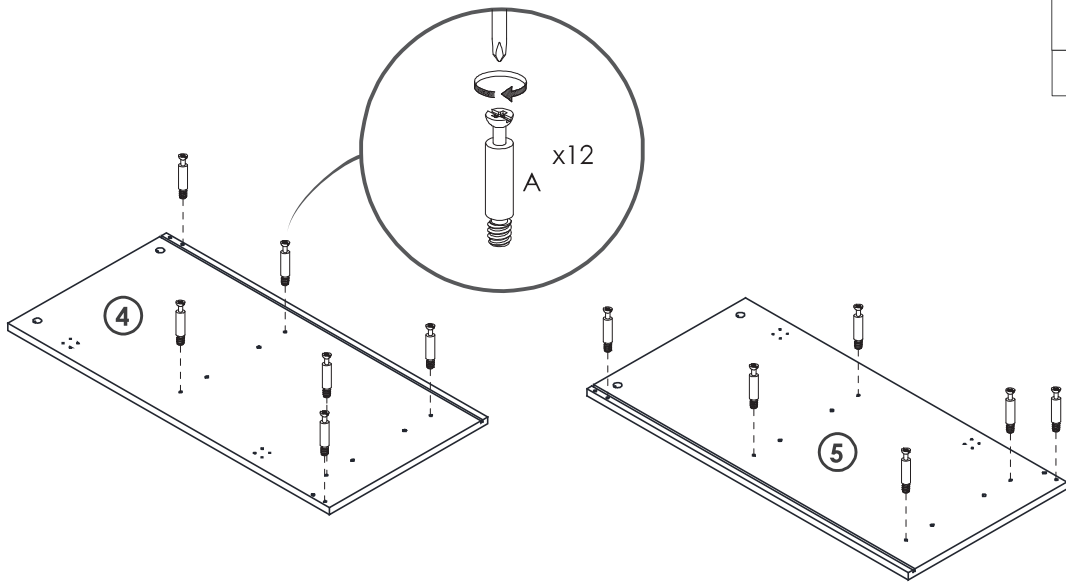
B x2



10

YOU WILL NEED

Ax12

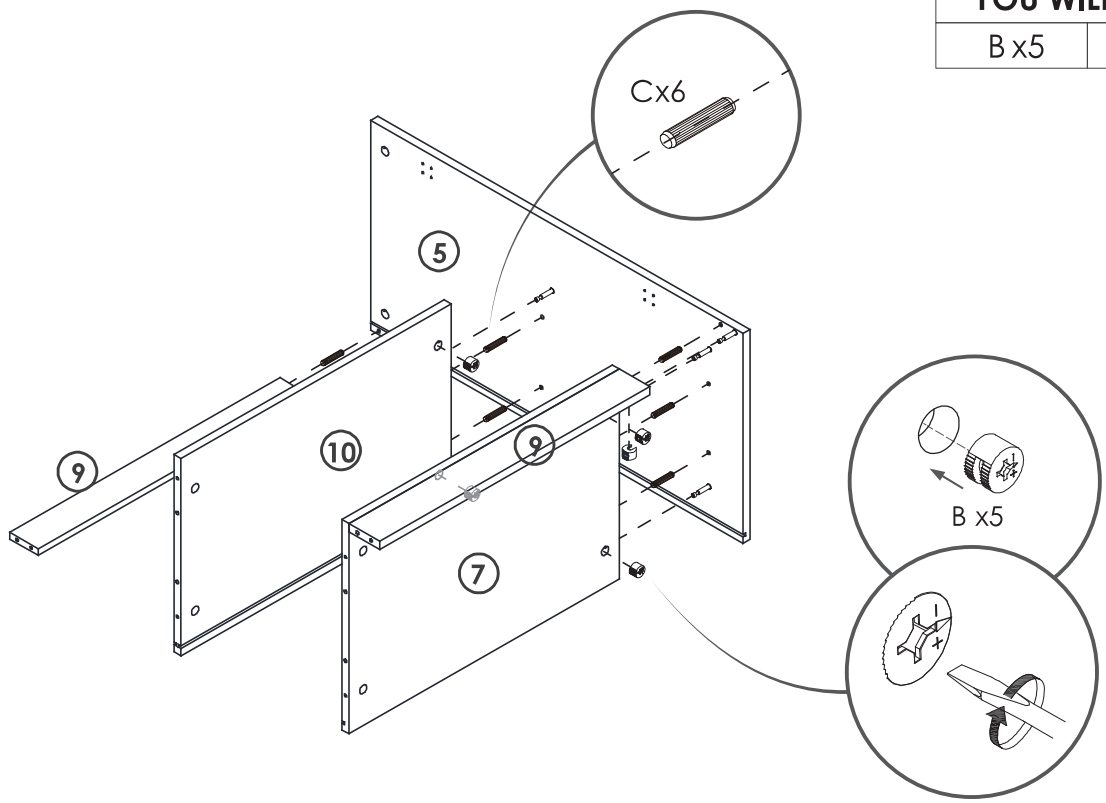


11

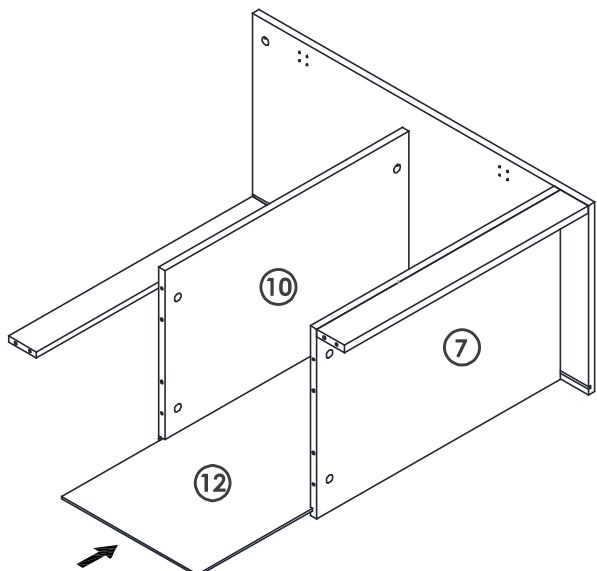
YOU WILL NEED

Bx5

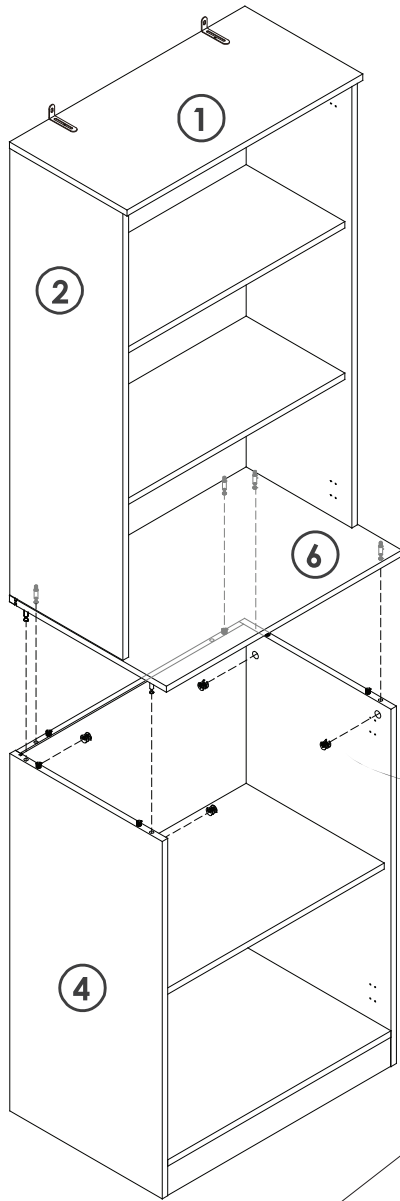
Cx6



12

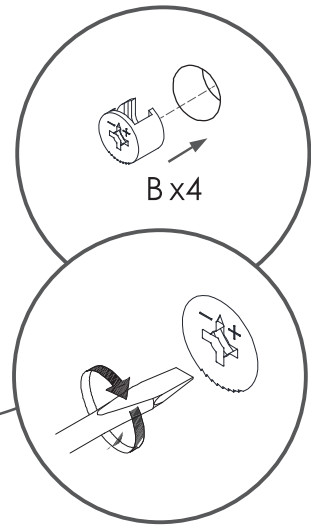


15

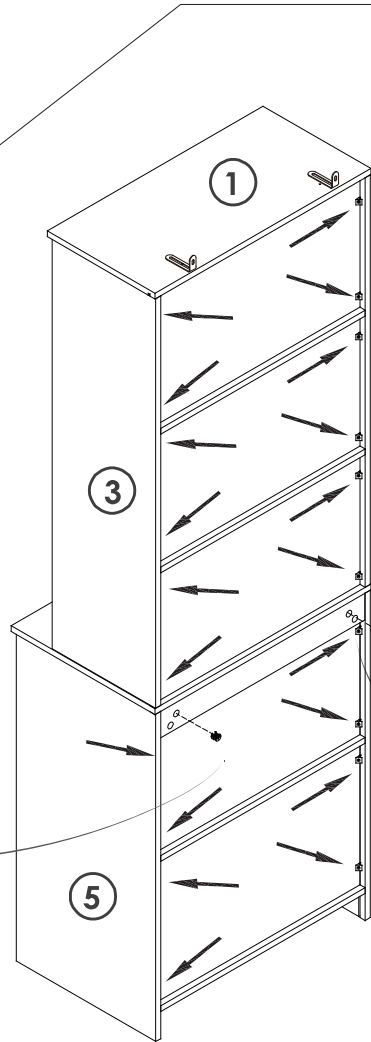


YOU WILL NEED

B x4



16

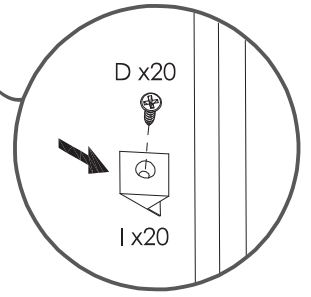
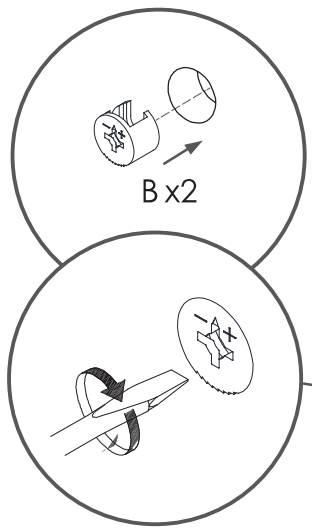


YOU WILL NEED

D x20

I x20

B x2

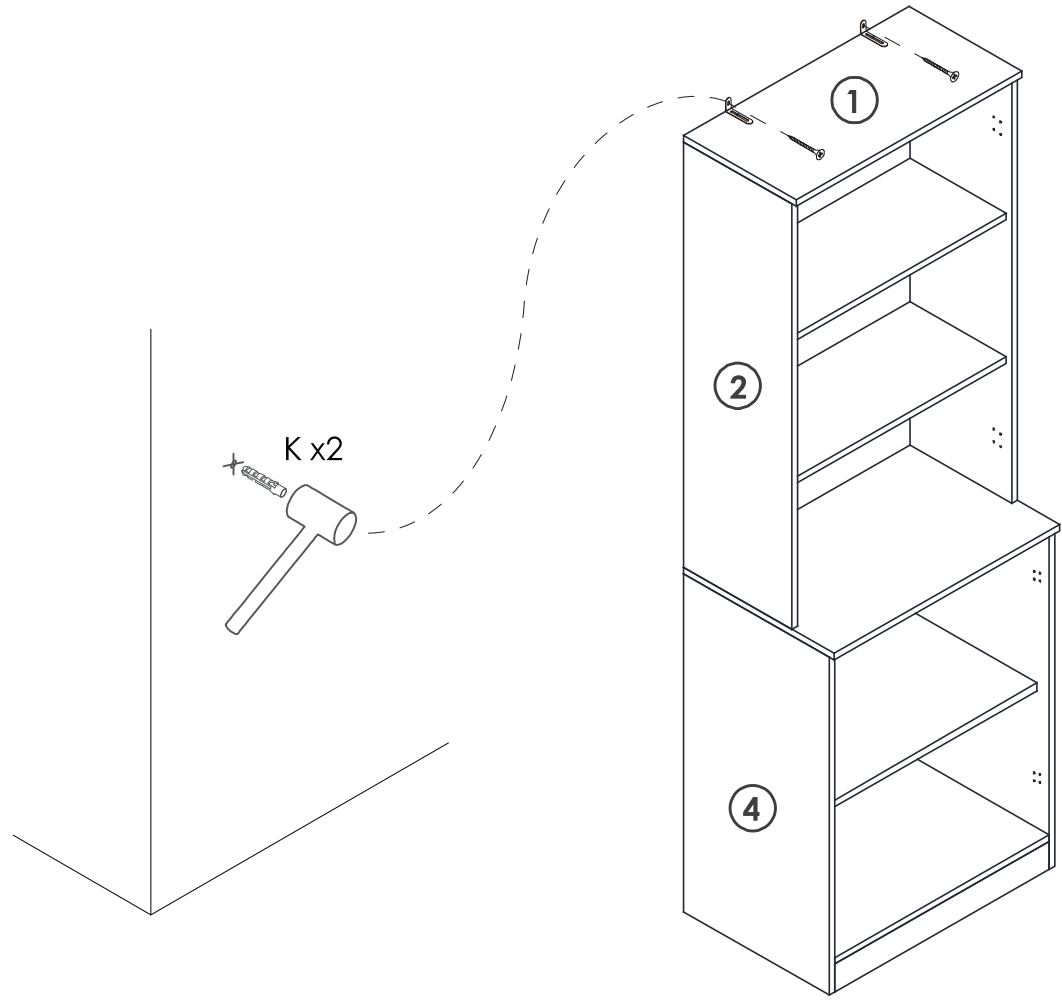


17

YOU WILL NEED

K x2

L x2



18

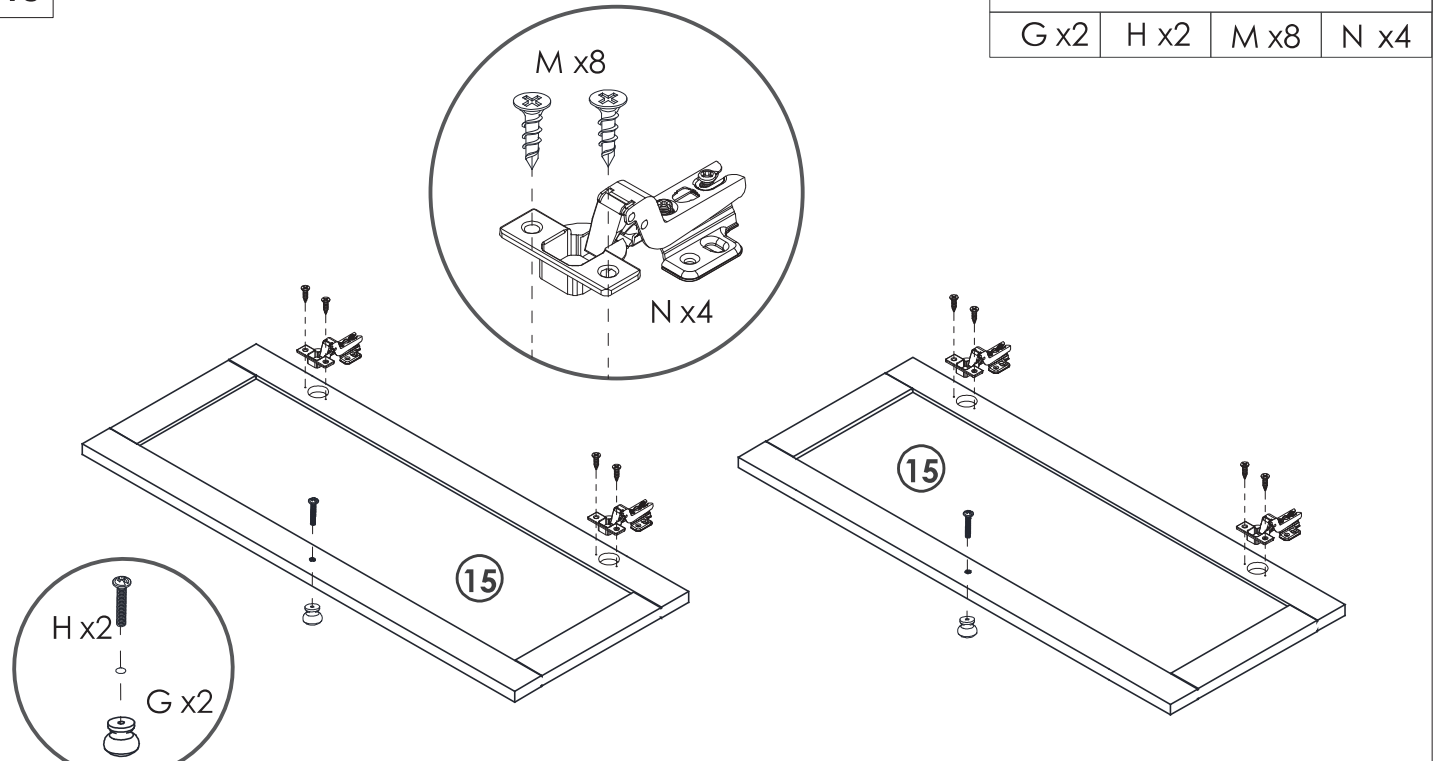
YOU WILL NEED

G x2

H x2

M x8

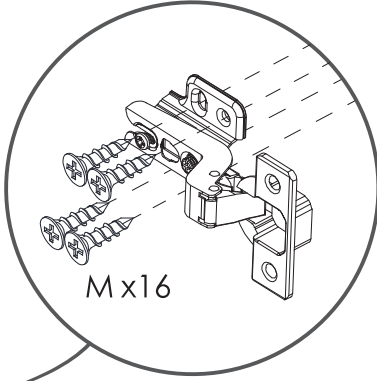
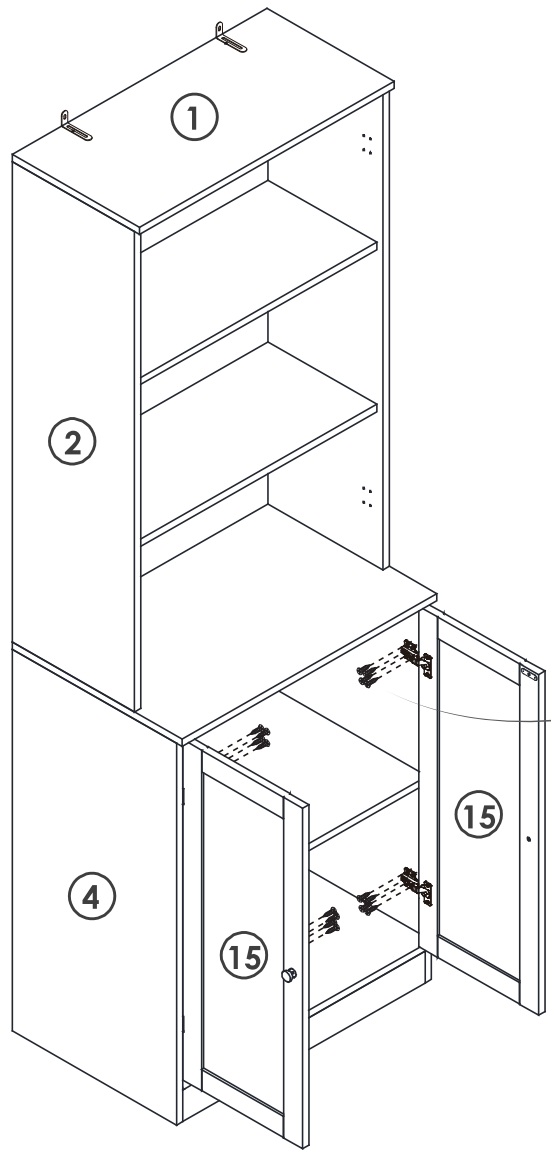
N x4



19

YOU WILL NEED

M x16



M x16

20

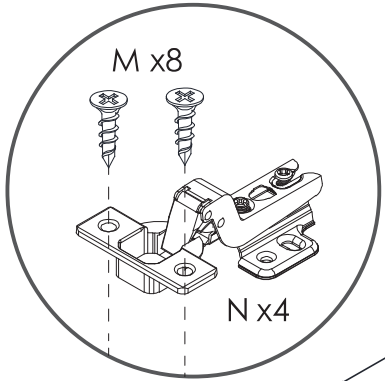
YOU WILL NEED

G x2

H x2

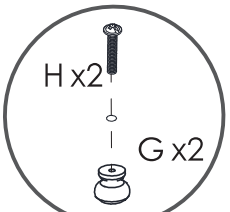
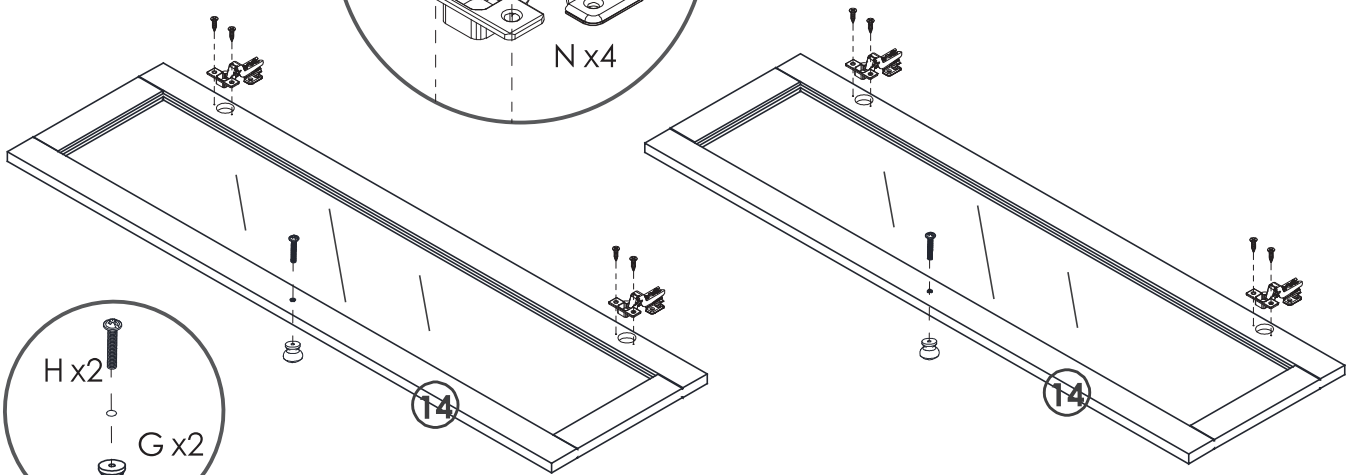
Mx8

N x4



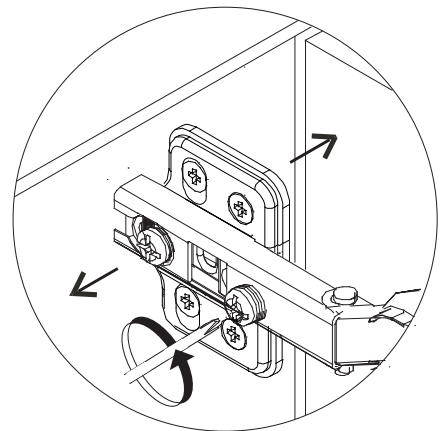
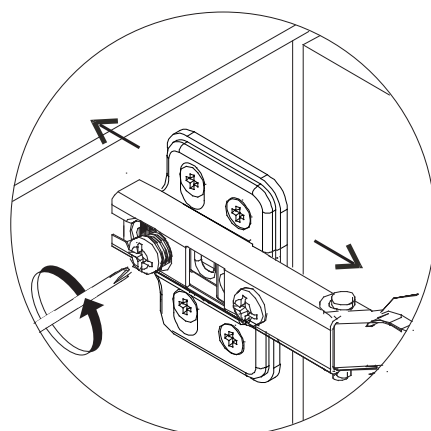
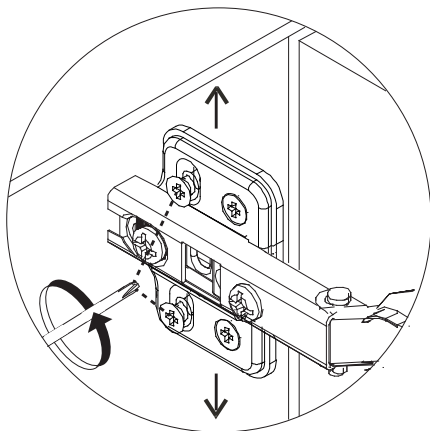
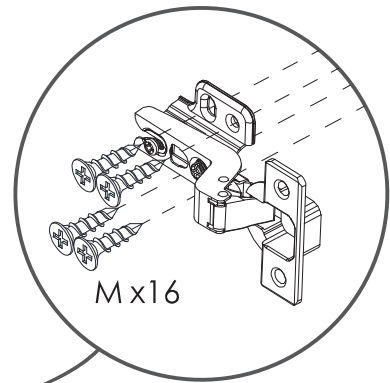
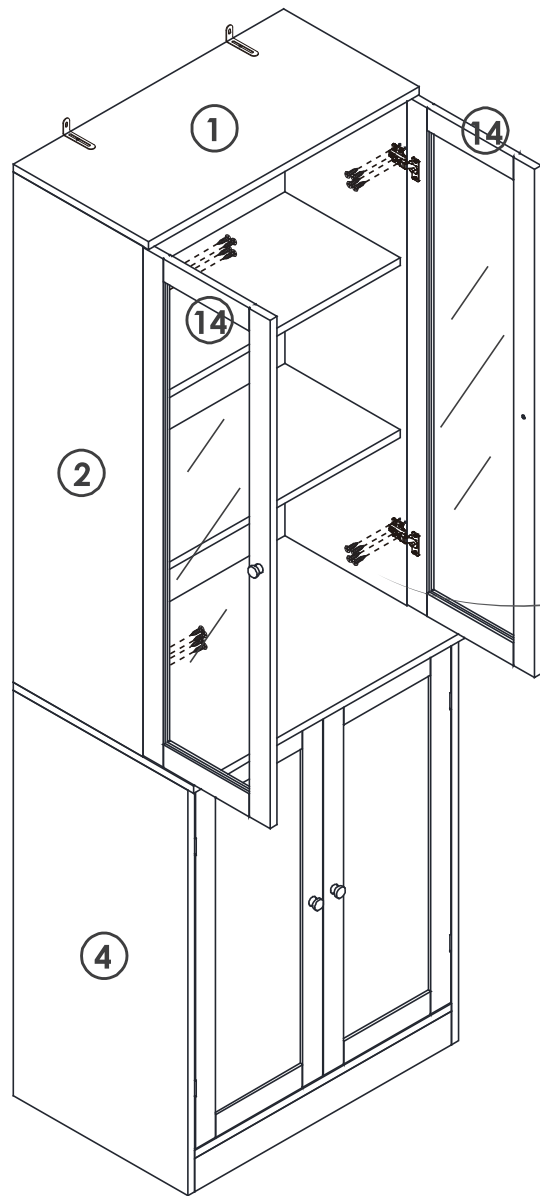
M x8

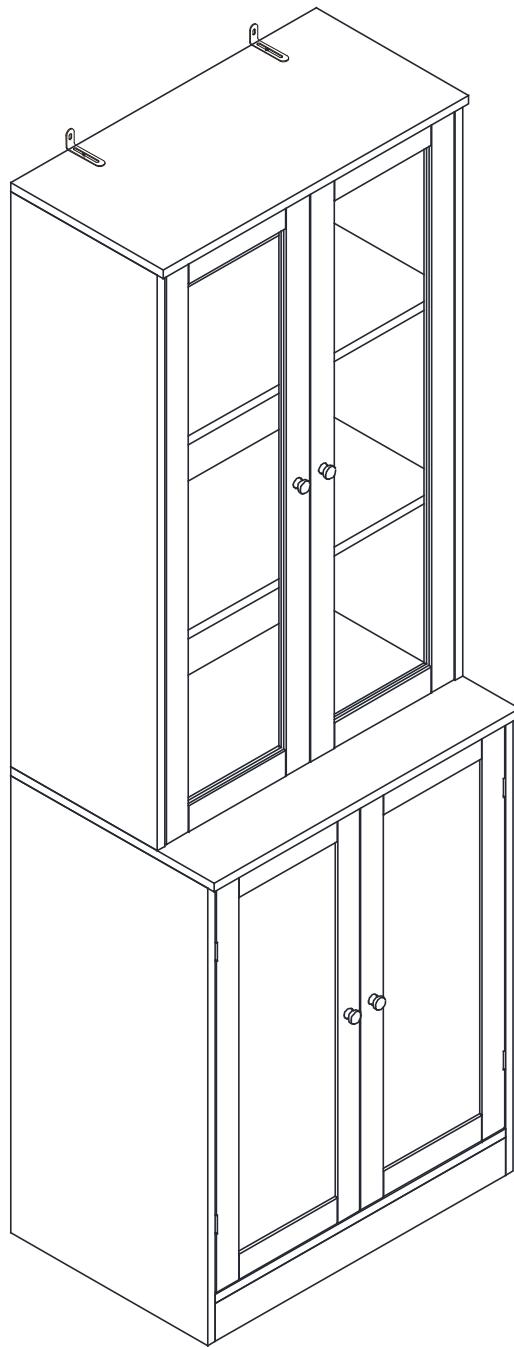
N x4



H x2

G x2





GUARANTEE

Storage Cabinet offers a **90-days** warranty that begins on the date of the original purchase and applies to problems caused by the manufacturer. For questions, assistance, or support, please contact the Customer Service by e-mail with your order number and details. We will send you further information about the solution.

Made In VIETNAM

