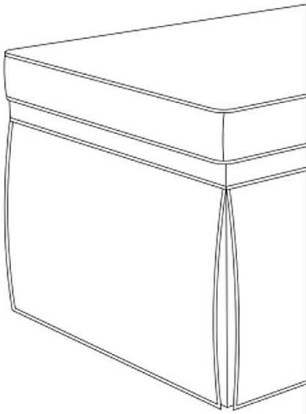


Owner Manual



WARRANTY

We strive to offer high quality product and we also try our best to satisfy each customer that order from us, no matter on products or services as needed. Each customer receives a record of their order, such as the order number or item receipt. For any items that are out of warranty period, you may still be able to purchase the replacement parts from our company if they are available.



MAINTENANCE AND WARNING

Please read the manual
thoroughly before you start
installing.

Please keep the product away
from sharp object.

Packaging and small parts may have
chocking hazard, please keep them away
from children and pets.

Please clean the product according to each
clean code, check the product description
for more information.

Please keep the product away from
fire.

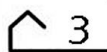
If you have any other questions, please
contact us, we will be glad to help you out.

If the product is placed under direct
sunlight, the pattern or color might fade
away overtime.

Check the product periodically to make
sure everything is secured and tightened.

Always use proper tools for installation.

Do not jump on the product.



Around 25 min

PRODUCT DESCRIPTION

Chenille fabric. Exceptionally soft, fluffy, and skin-friendly to the touch with a plush surface. It provides both visual and tactile warmth, significantly enhancing the product's coziness and comfort.

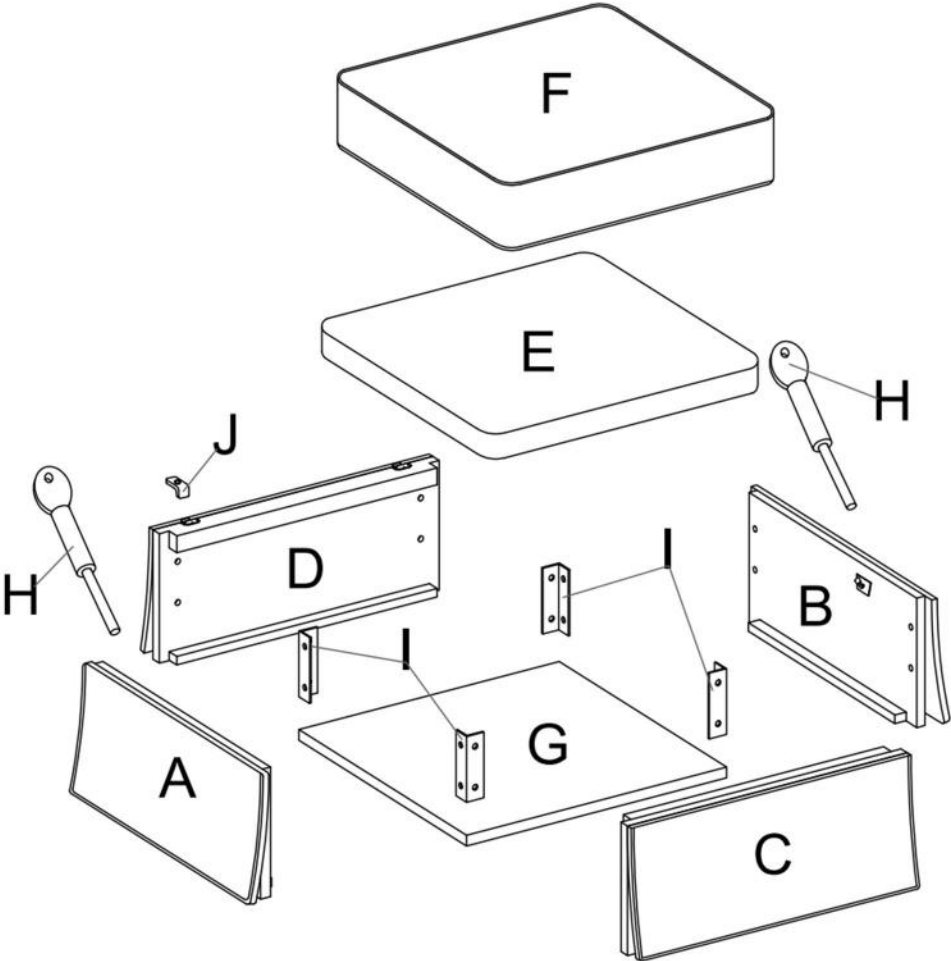
Ergonomic design for comfortable support. The heightened and thickened backrest fully supports the back and shoulders; the well-proportioned armrests provide a natural place for the arms; the plump seat cushion effectively disperses hip pressure, promoting a relaxed sitting posture.

Solid wood frame. A sturdy internal wood frame ensures overall structural stability, high load-bearing capacity, and long-term durability.

Composite filling of foam and spring package. High-density foam provides immediate softness and a sinking-in feel; independent springs ensure firm, deep support and resilience against sagging, offering a plush and long-lasting comfortable seat.

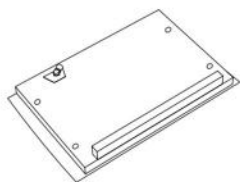
Multi-functional armchair with ottoman set for home use. The armchair comes in swivel version (S) and version with silent casters (W). Features a plump, rounded silhouette. The skirted bottom adds visual layers and a touch of vintage charm, presenting an overall cozy and modern style.

EXPLODED VIEW



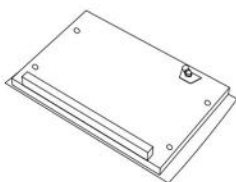
PARTS

A*1



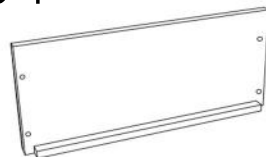
Right side panel

B*1



Left side panel

C*1



Front panel

D*1



Back panel

E*1



Top panel

F*1



Ottoman cushion

G*1



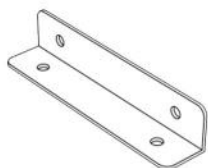
Bottom board

H*2



The gas struts

I*4



The corner irons

J*1



Small corner iron

HARDWARE

TOOL LIST

NOTE: Designated with (★) We provide additional spare parts in the hardware package

①*2



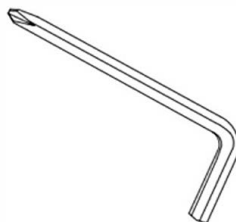
Bolts

②*17



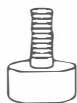
★ M6*20mm
Bolts

③*1



Allen key

④*4

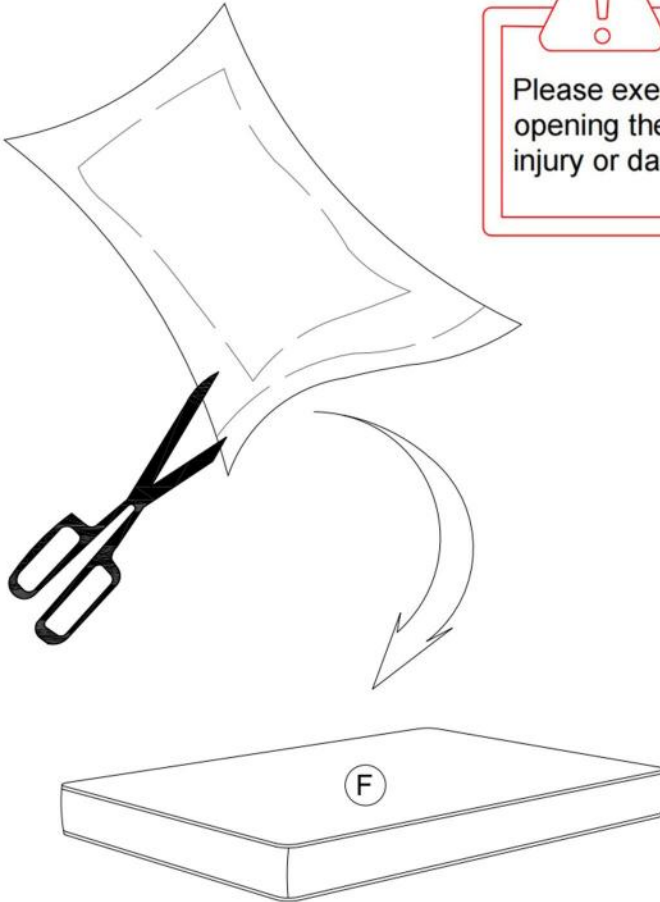



Adjustable foot

Please make sure all hardware & packing material fitting the list. Especially some small accessories may be missing during transportation. Please contact us if you have any question.

step 1 ---Cut the plastic air compression bags

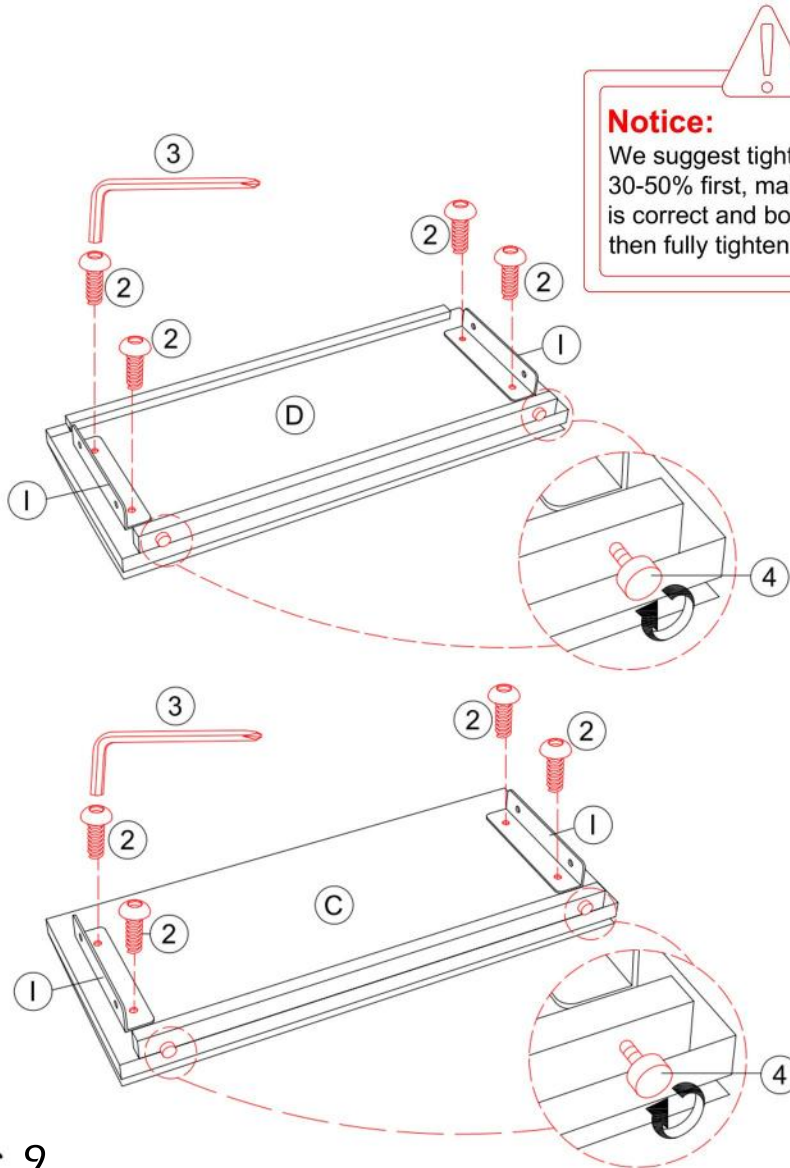
Cut the plastic air compression bags, and take out the cushion (G&F). Let it recover to its original shape, the whole recovery process might take **48** hours, you may gently slap on it to speed up the process.




Please exercise caution when opening the packaging to avoid injury or damage to the product.

step 2 ---Install Brackets

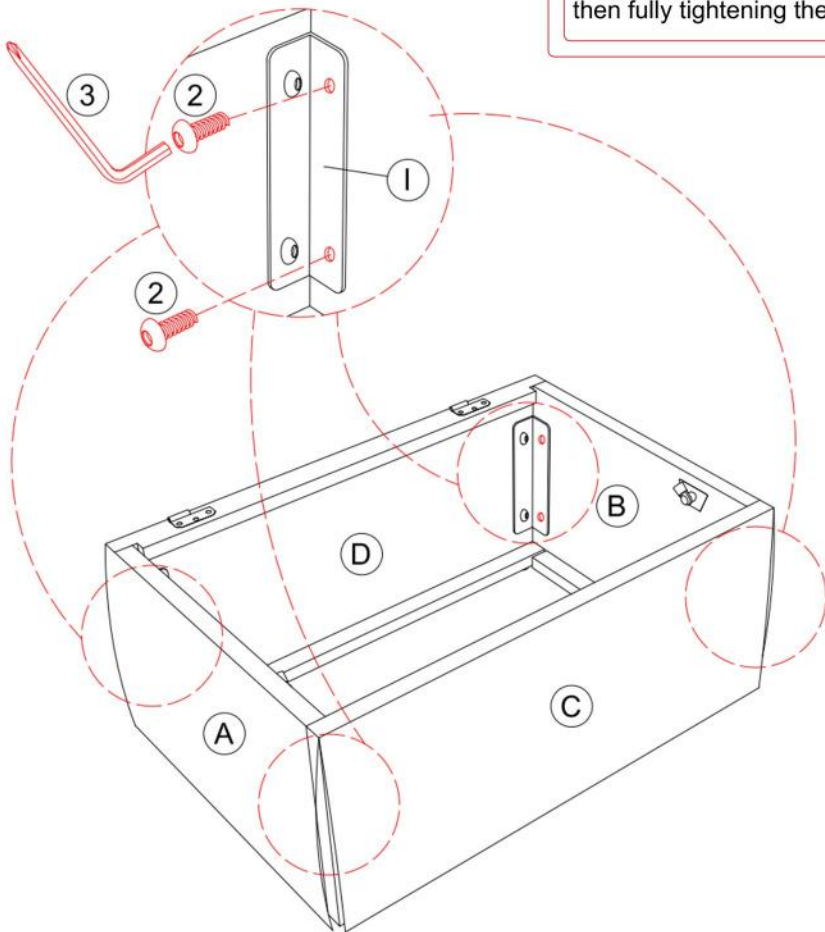
Use screws (2) and the wrench (3) to attach the large corner irons (1) to the front panel (C) and back panel (D). Then, screw the adjustable feet (4) into the bottom.



step 3 ---Connect Panels

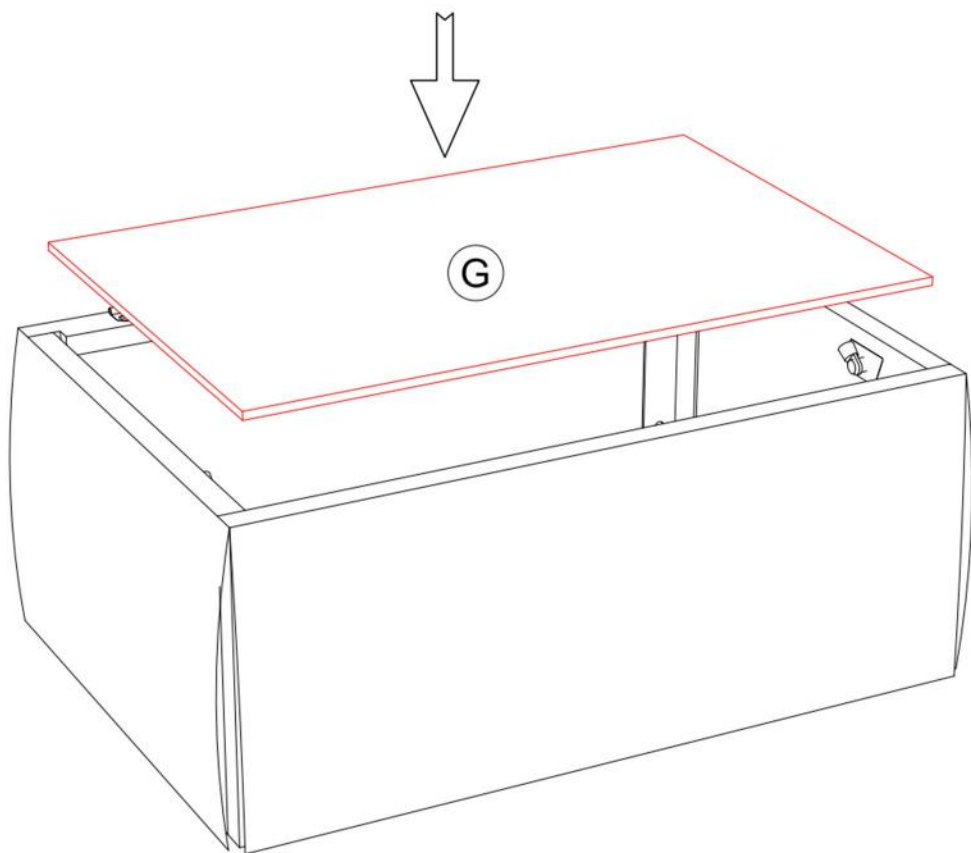
As shown in the image, connect the side panels (A & B) to the corner irons (I).

Notice:
We suggest tightening the bolts for 30-50% first, make sure the process is correct and bolt holes are aligned, then fully tightening them all.



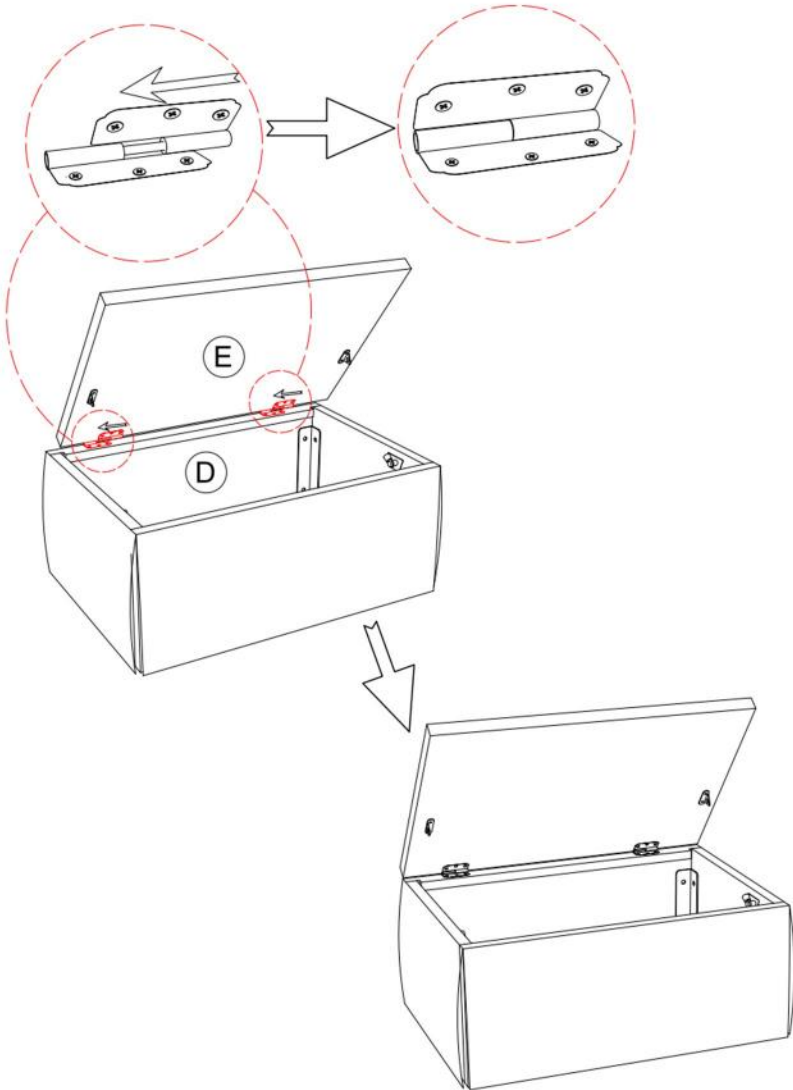
step 4 ---Bottom Board

As shown in the image, place the bottom board (G) into the assembled frame.



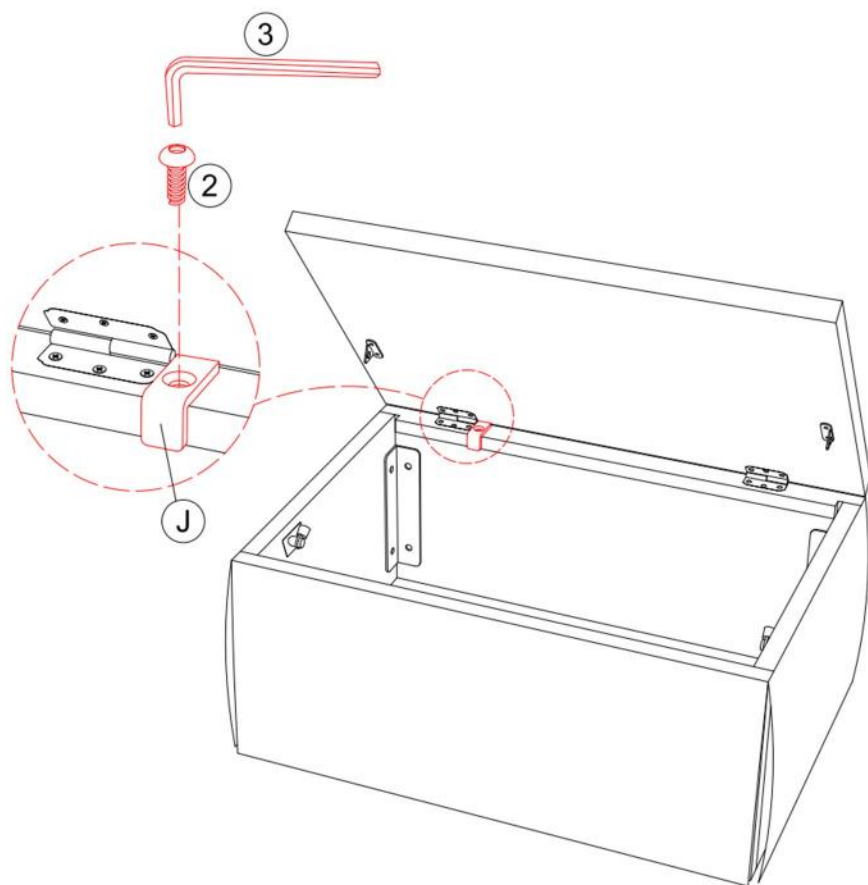
step 5 ---Attach Lid

As shown in the image, insert the lid (E) into the hinges on the back panel (D).



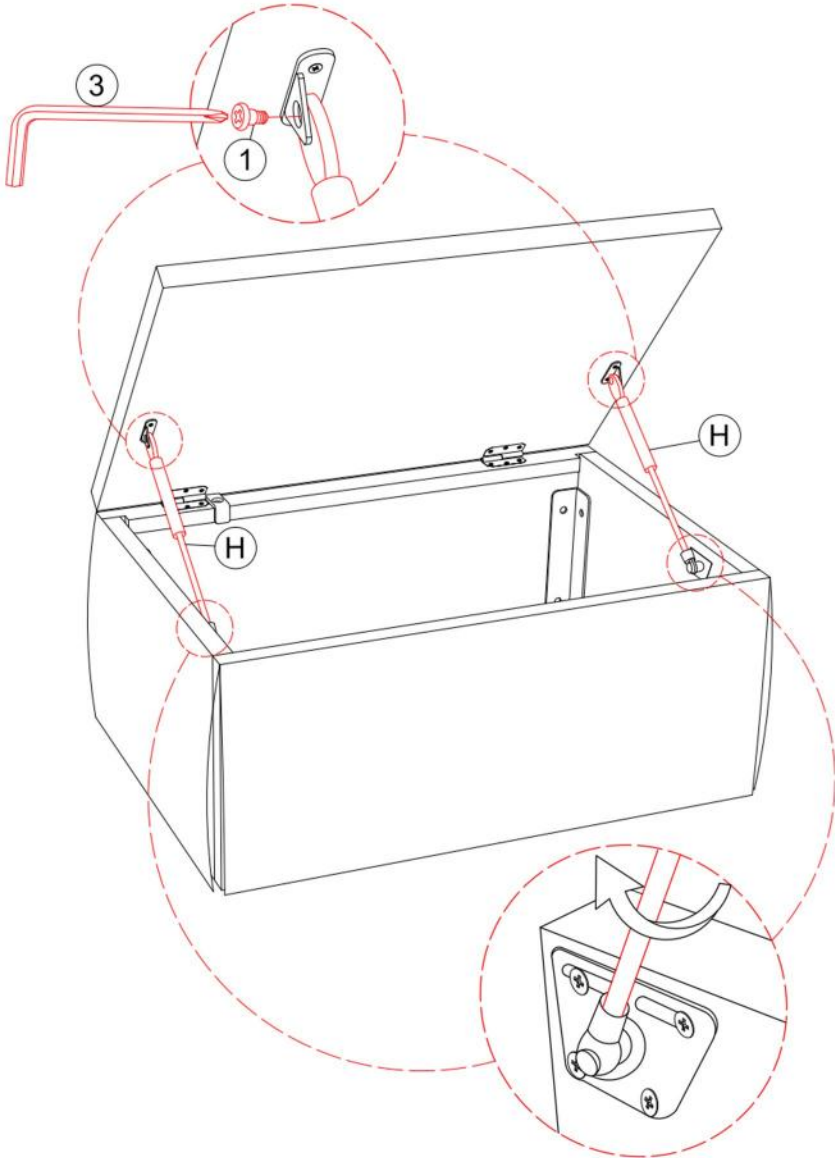
step 6 ---Small Bracket

As shown in the image, install the small corner iron (J) using screw (2) and the wrench (3).



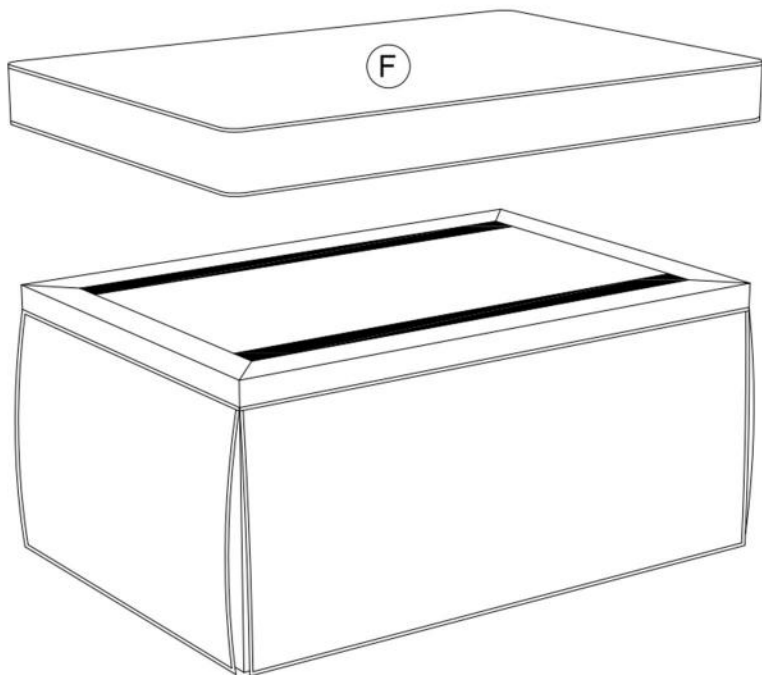
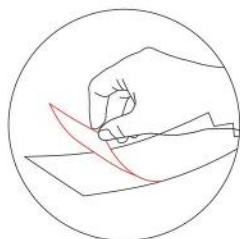
step 7 --- Gas Struts

As shown in the image, install the gas struts (H) using screws (1) and the wrench (3).



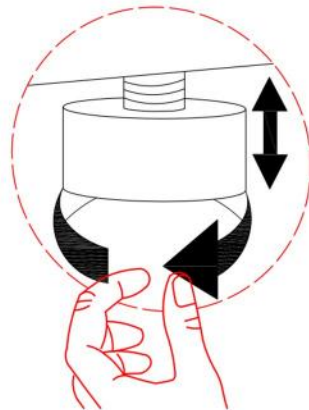
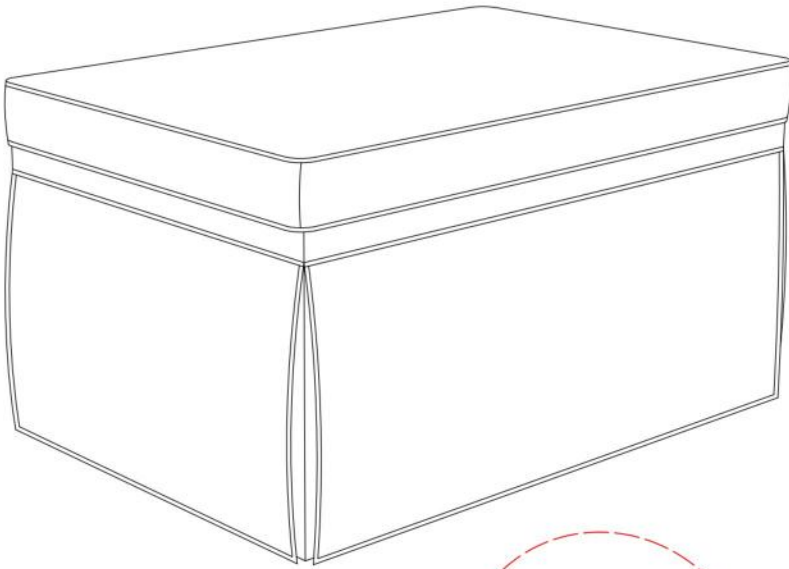
step 8 ---Place Cushion

As shown in the image, place the cushion (F) on top of the ottoman.



step 9 ---Adjusted the legs

Please note: the legs of the Ottoman can be adjusted by twisting the leveler on the tip of the legs as shown, it can help you use this chair on ground that is not flat, please check before you use the chair.



step 10 ---Assemble complete

Congradulations! You have finished the assembly, thank you again for choosing our product! Please enjoy!

