

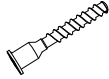

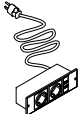

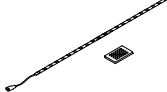
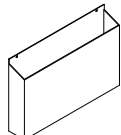
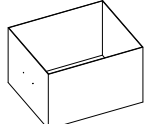

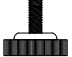
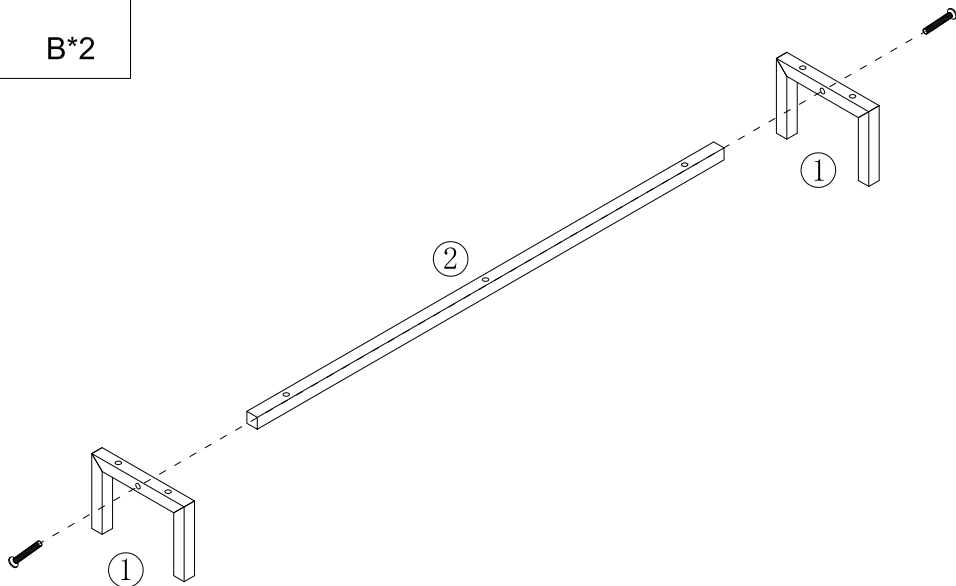
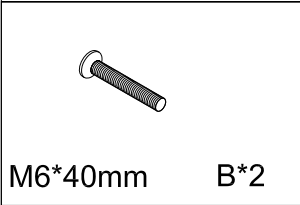
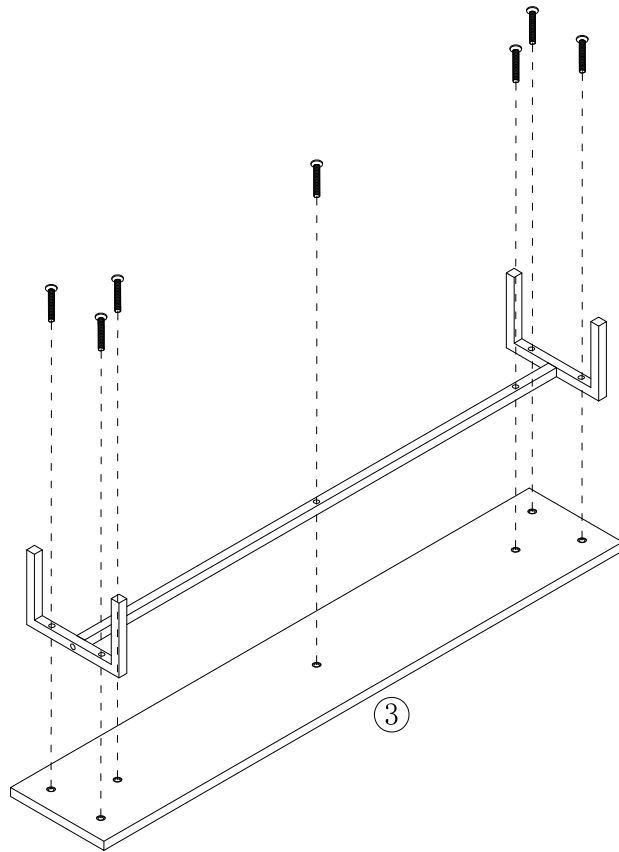
 M6*12mm A*2	 M6*40mm B*24	 M6*30mm C*23	 7*38mm D*4
 E*2	 F*1	 G*1	 H*1
 I*1	 J*1	 M3.5*8mm K*2	 L*6



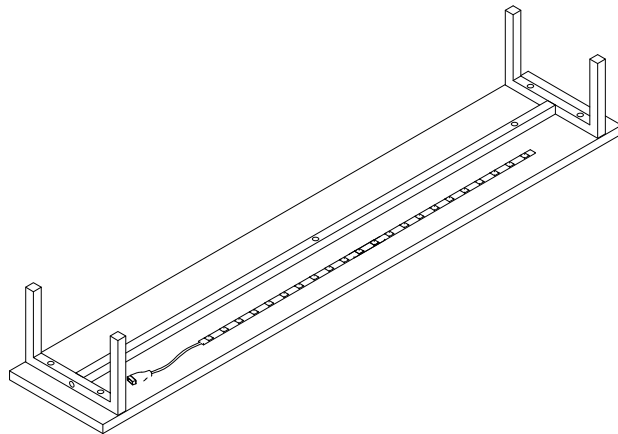


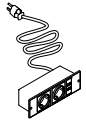
M6*30mm

C*7



H*1

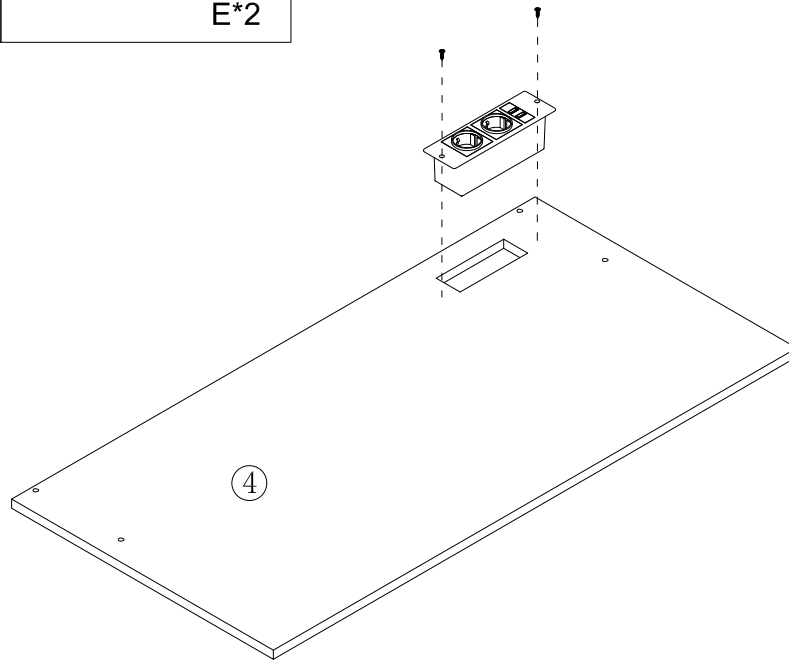




F*1

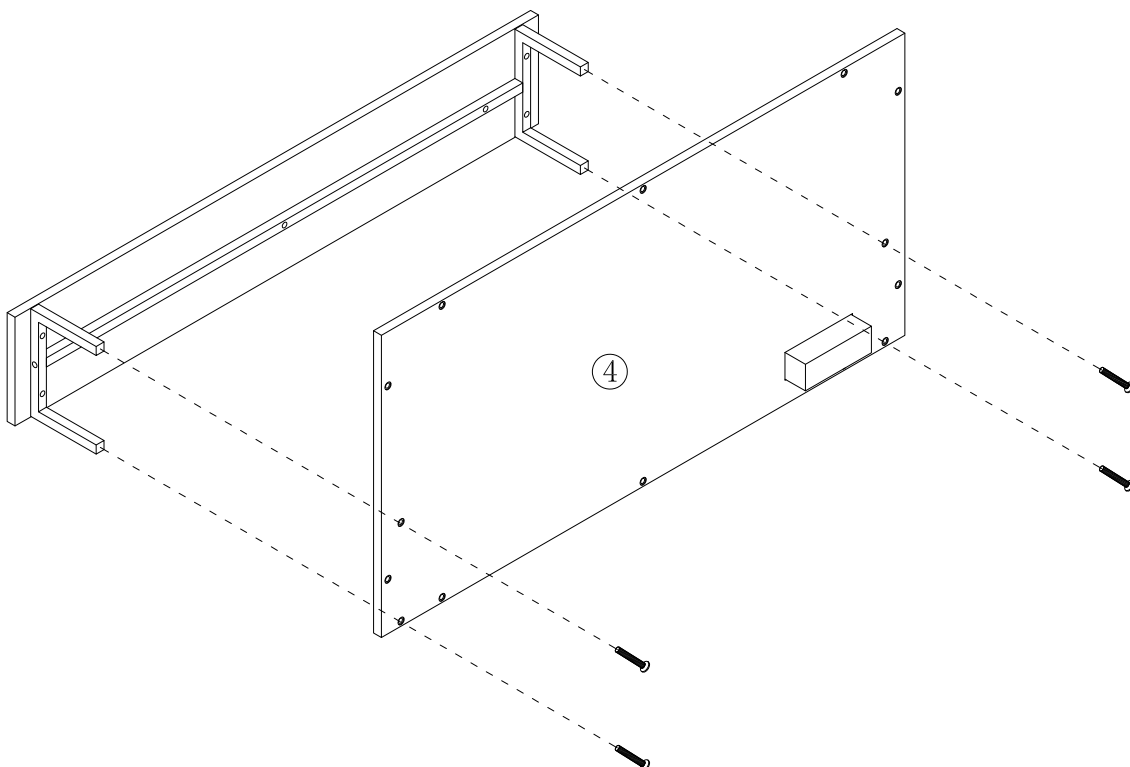


E*2



M6*40mm

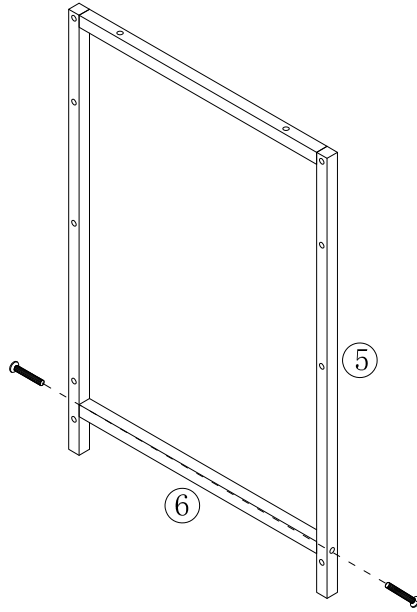
B*4





M6*40mm

B*2



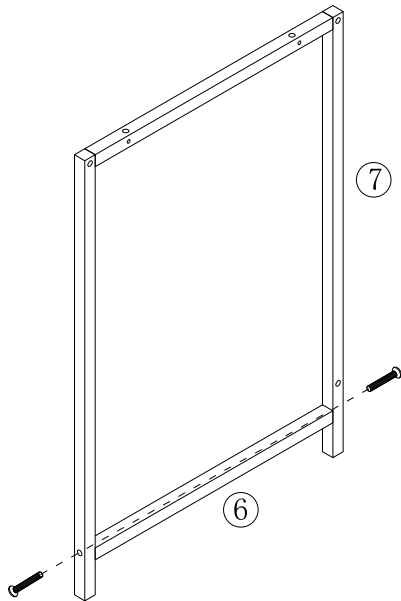
5

6



M6*40mm

B*2



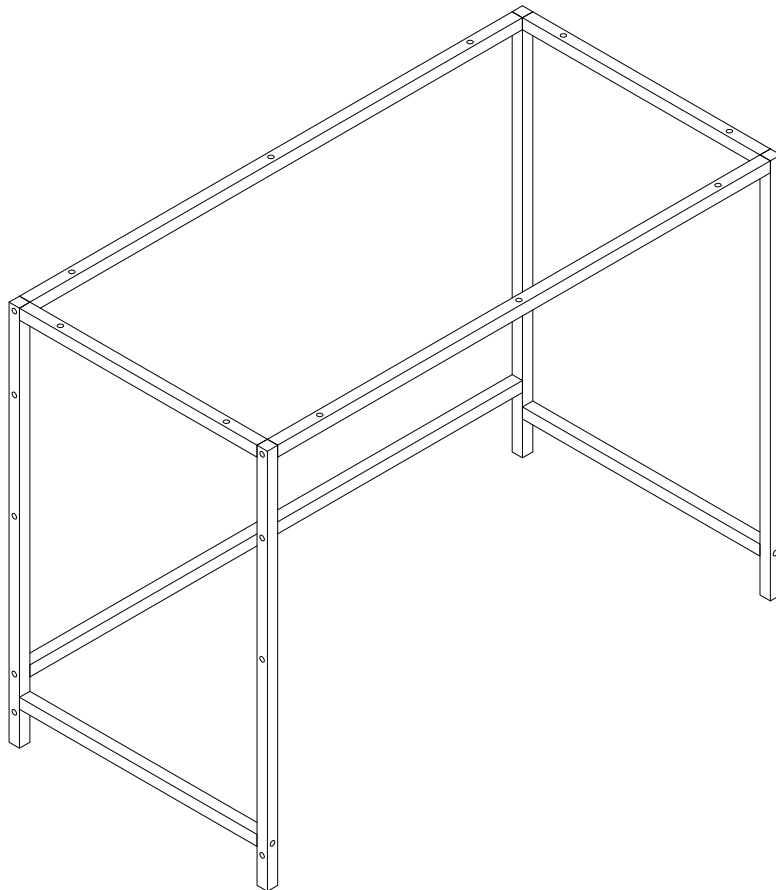
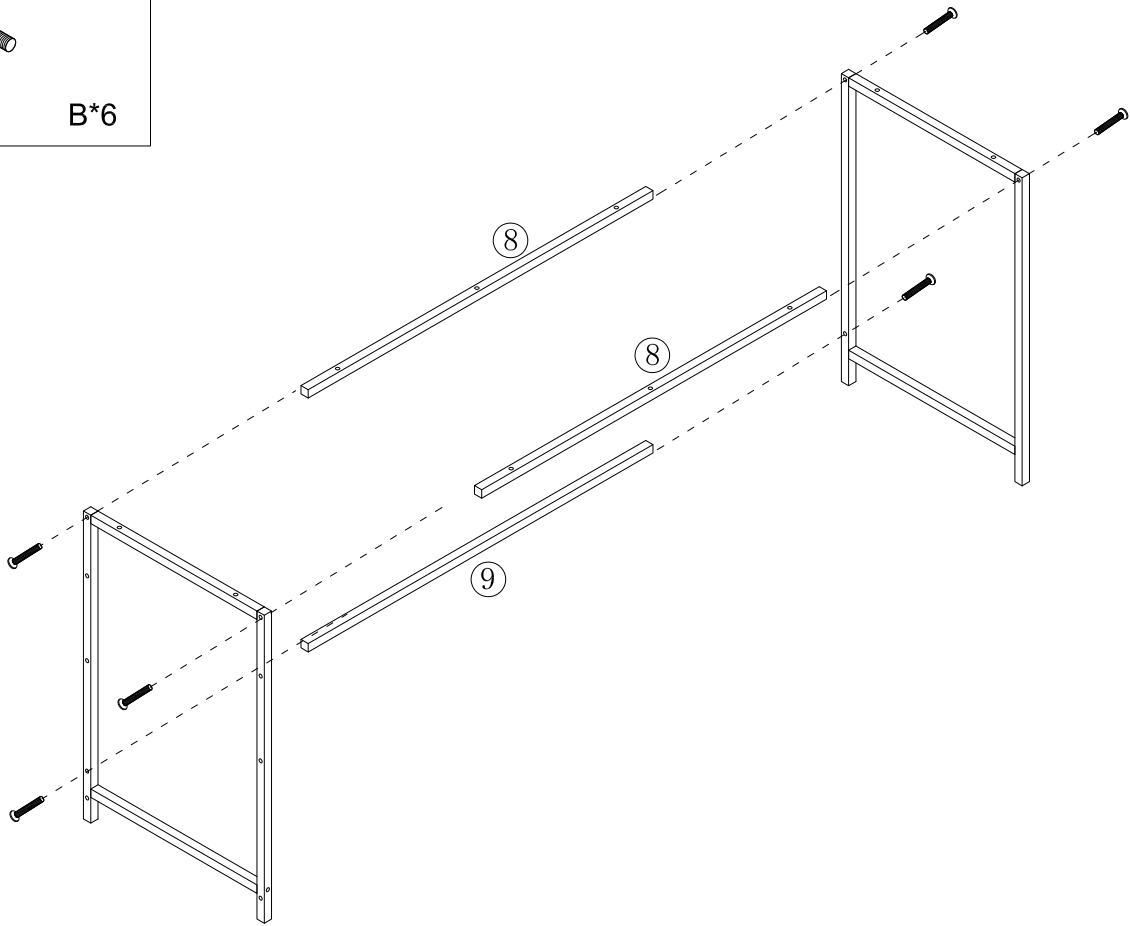
7

6



M6*40mm

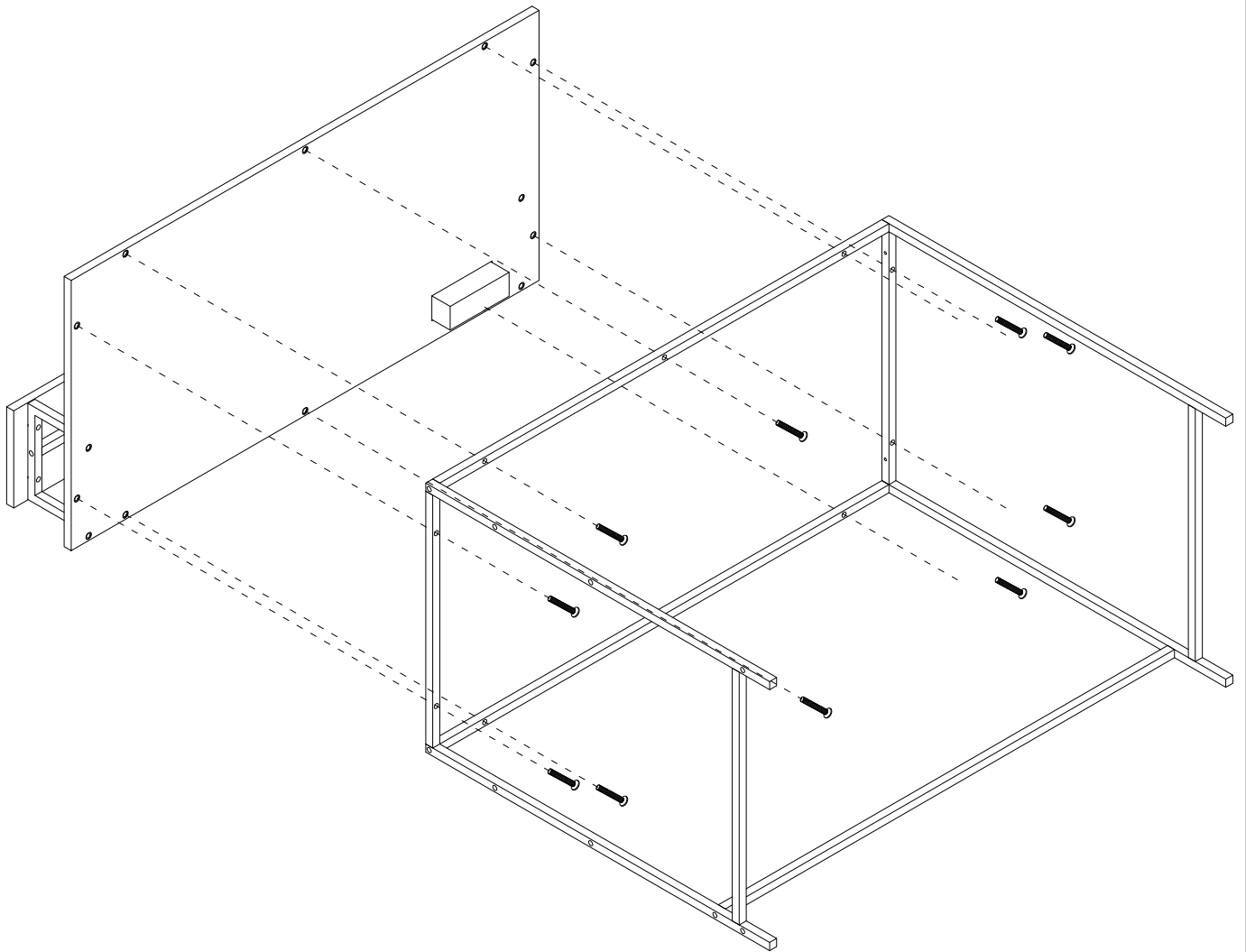
B*6





M6*30mm

C*10





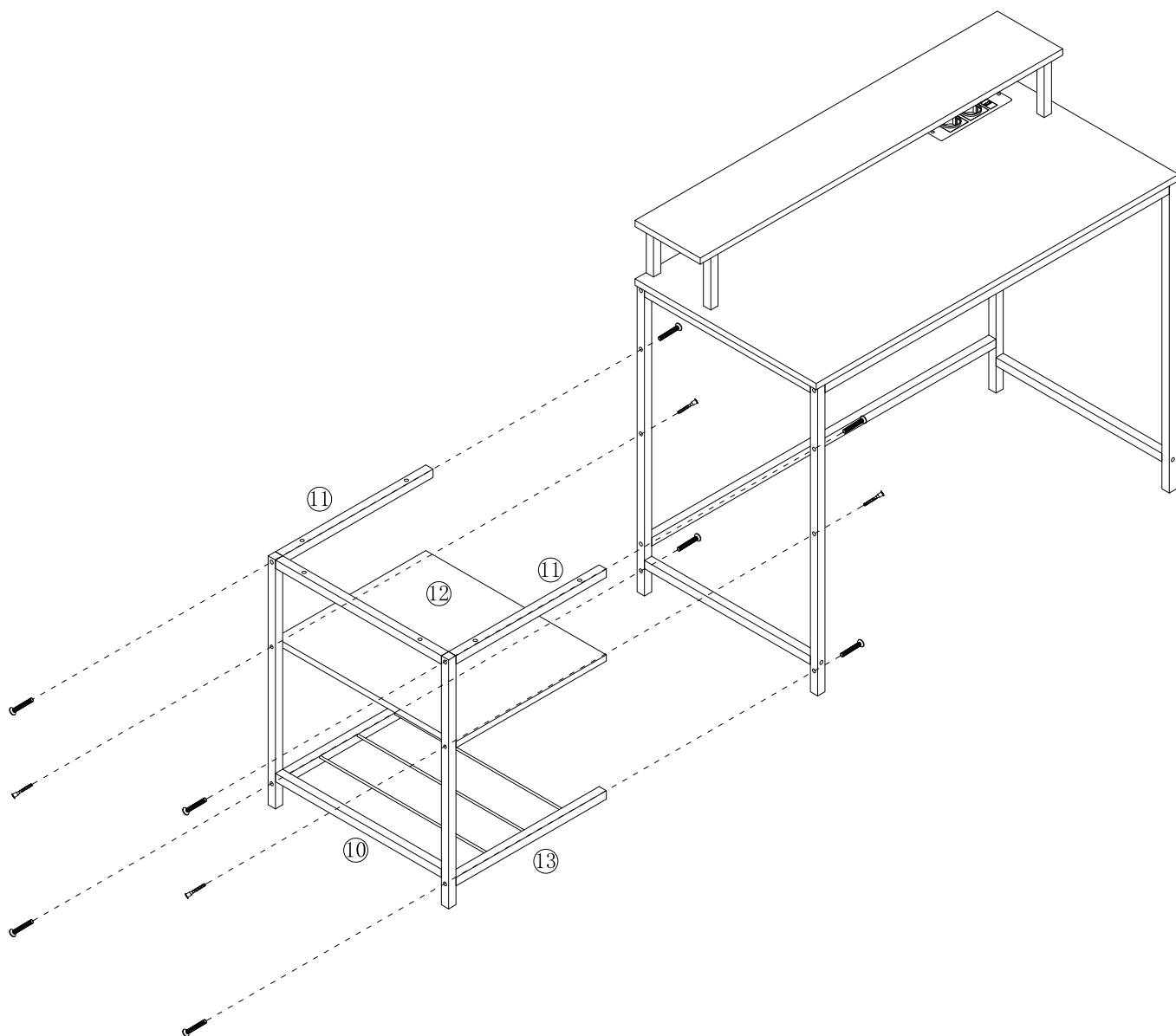
M6*40mm

B*8



7*38mm

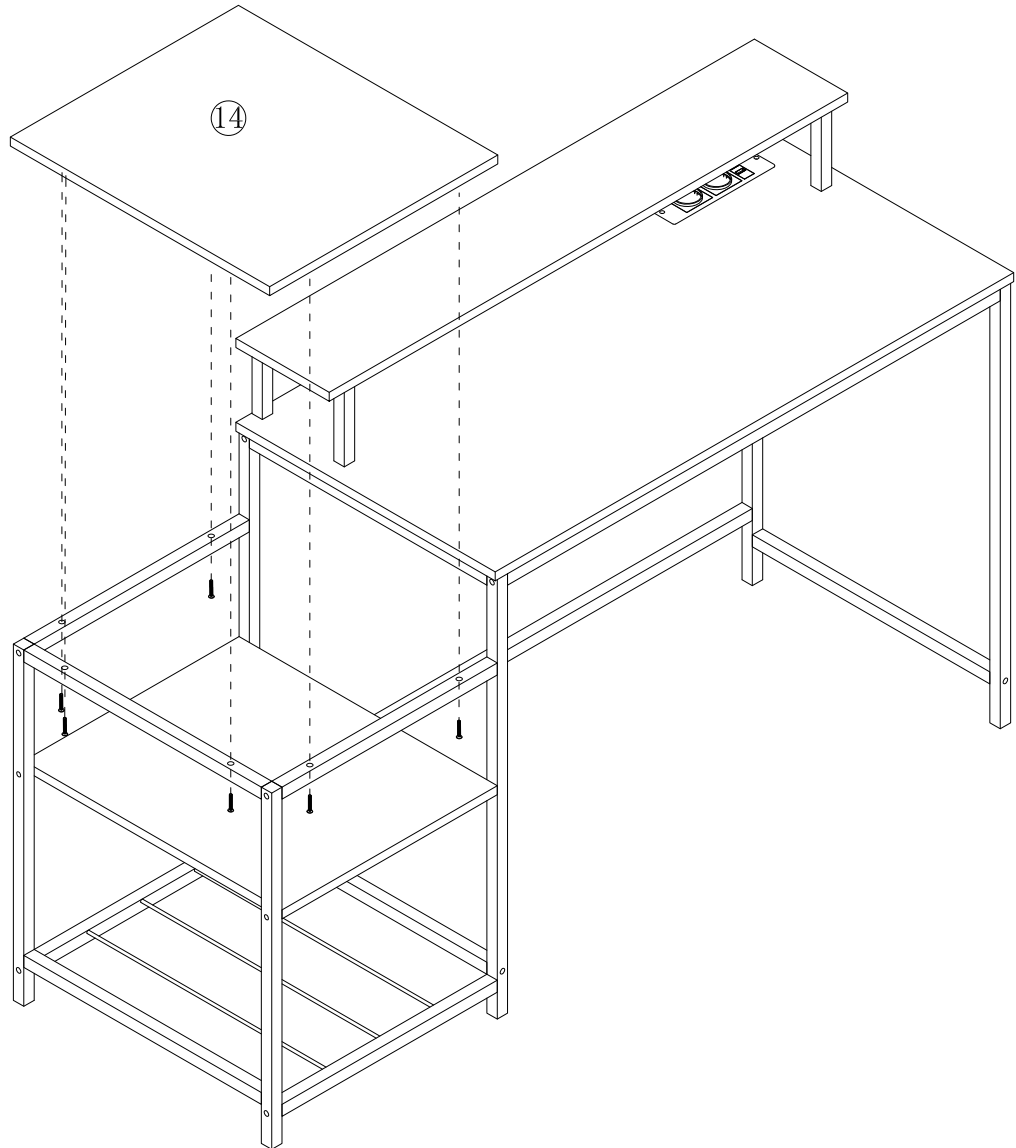
D*4





M6*30mm

C*6





L*6

