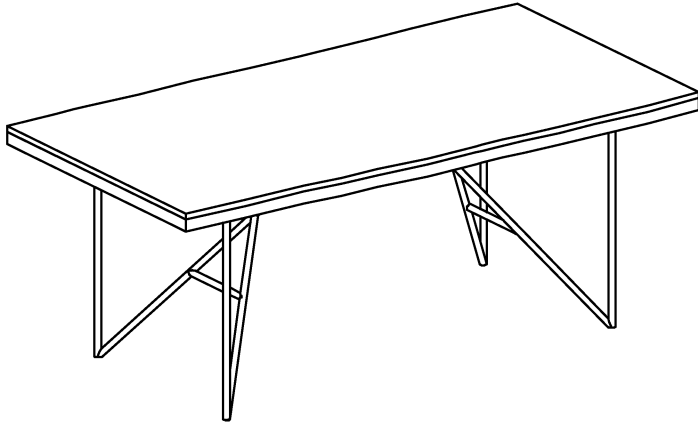


# DINING TABLE TOP DINING TABLE LEGS



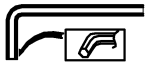
## ASSEMBLY INSTRUCTIONS



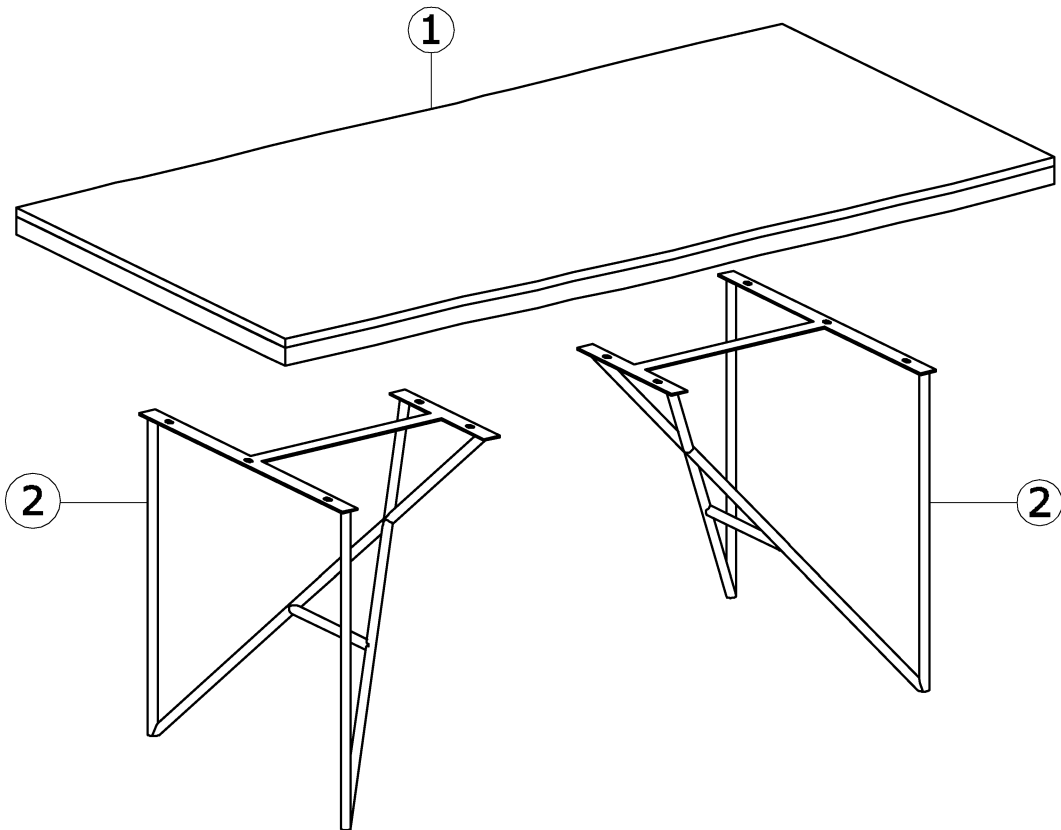
30 MIN







x2



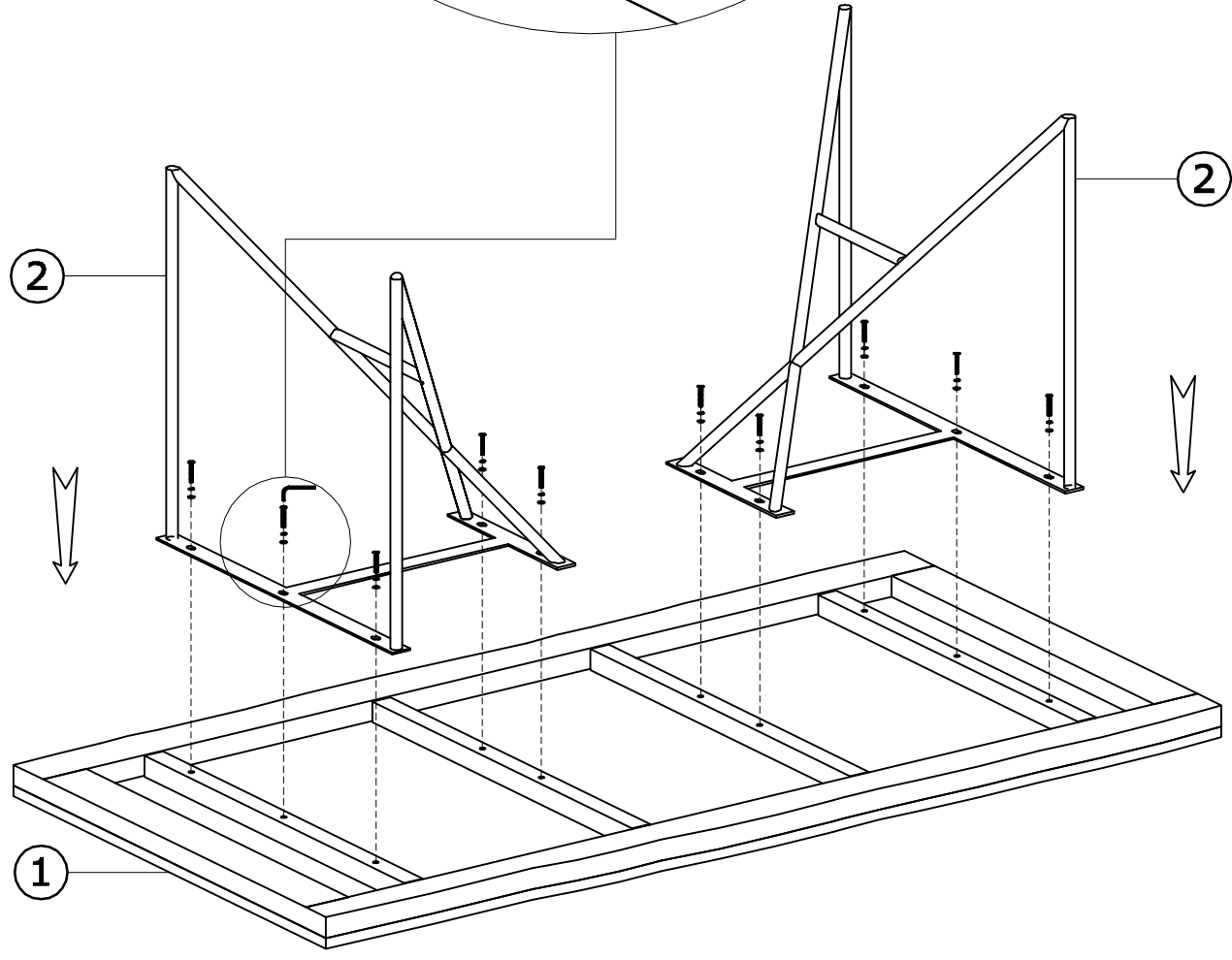
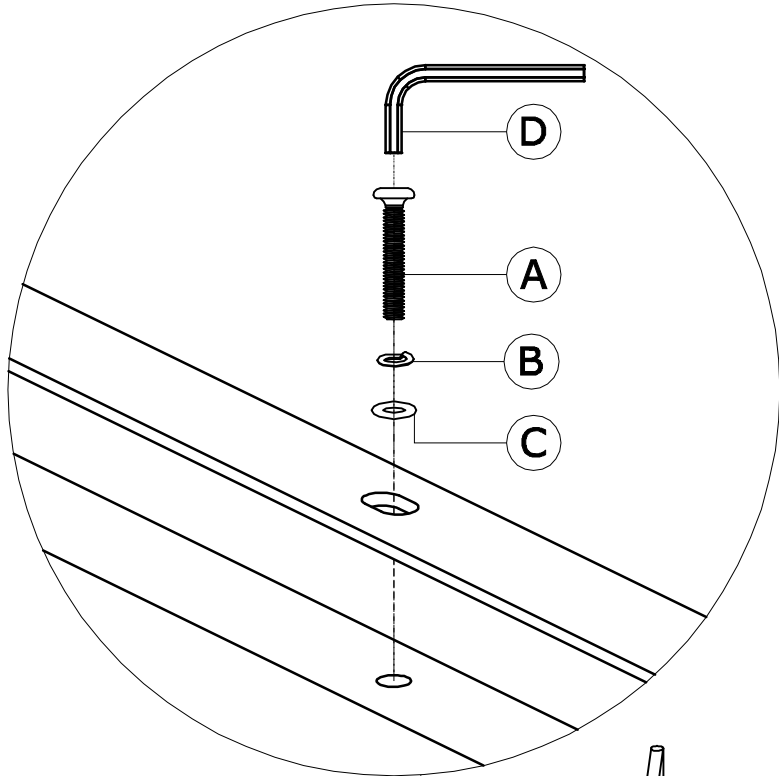
1	TOP	01 PC
2	LEGS	02 PCS







A	BOLT Ø15 x M8 x 30 mm		10 PCS
B	SPRING WASHER M8 x Ø13 x 1.2 mm		10 PCS

C	WASHER M8 x Ø19 x 2 mm		10 PCS
D	ALLEN KEY Ø4 x 60 mm		01 PC

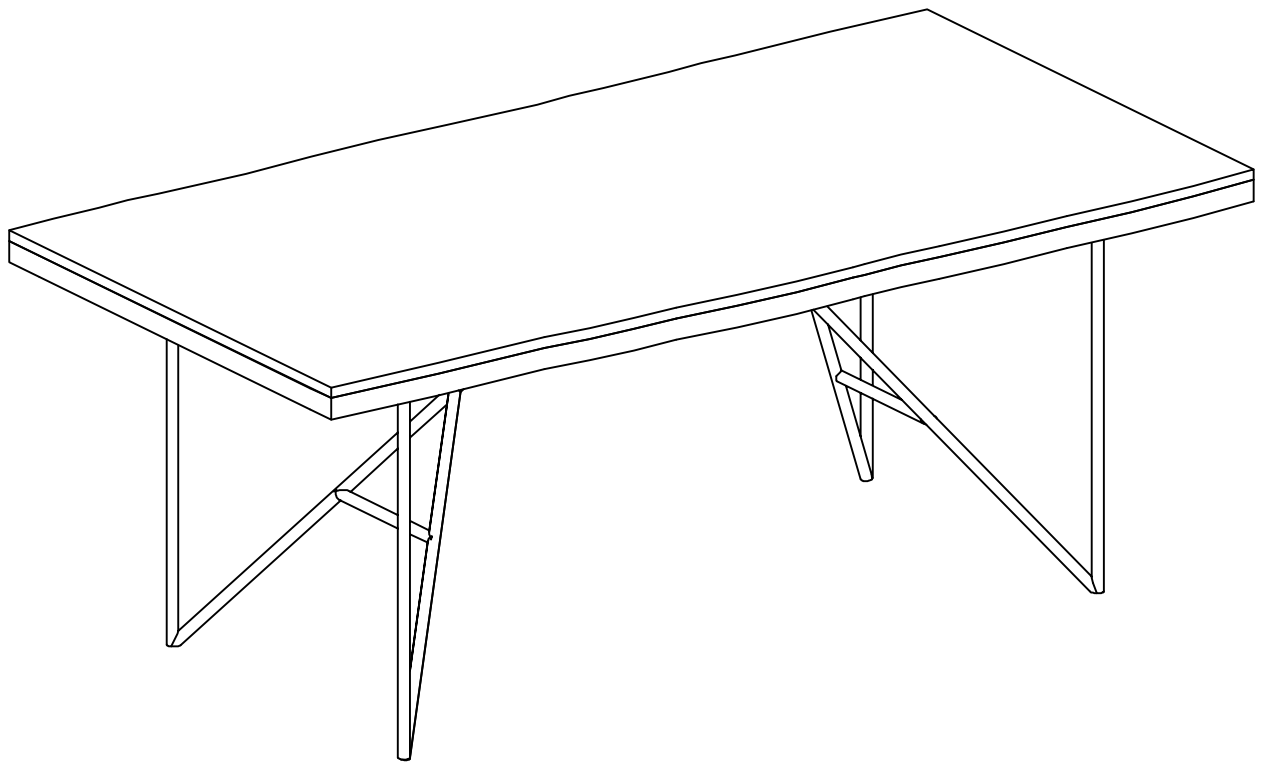
I



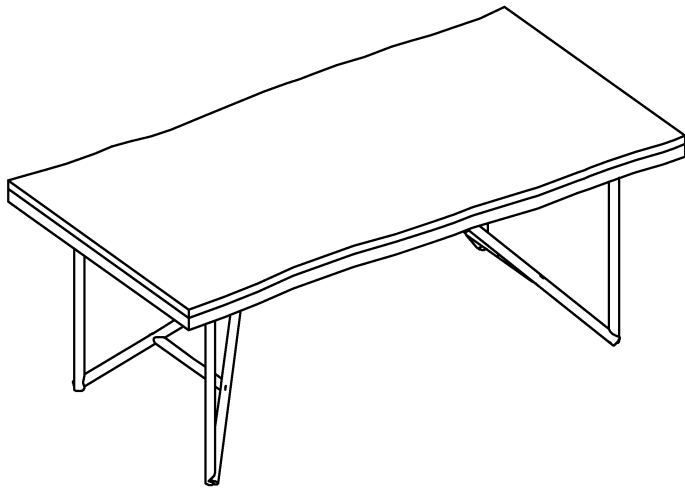
<b>A</b>	<b>BOLT</b> Ø15 x M8 x 30 mm		<b>10 PCS</b>
<b>B</b>	<b>SPRING WASHER</b> M8 x Ø13 x 1.2 mm		<b>10 PCS</b>

<b>C</b>	<b>WASHER</b> M8 x Ø19 x 2 mm		<b>10 PCS</b>
<b>D</b>	<b>ALLEN KEY</b> Ø4 x 60 mm		<b>01 PC</b>

**ASSEMBLY IS COMPLETE**



# COCKTAIL TABLE COCKTAIL LEGS



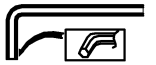
## ASSEMBLY INSTRUCTIONS



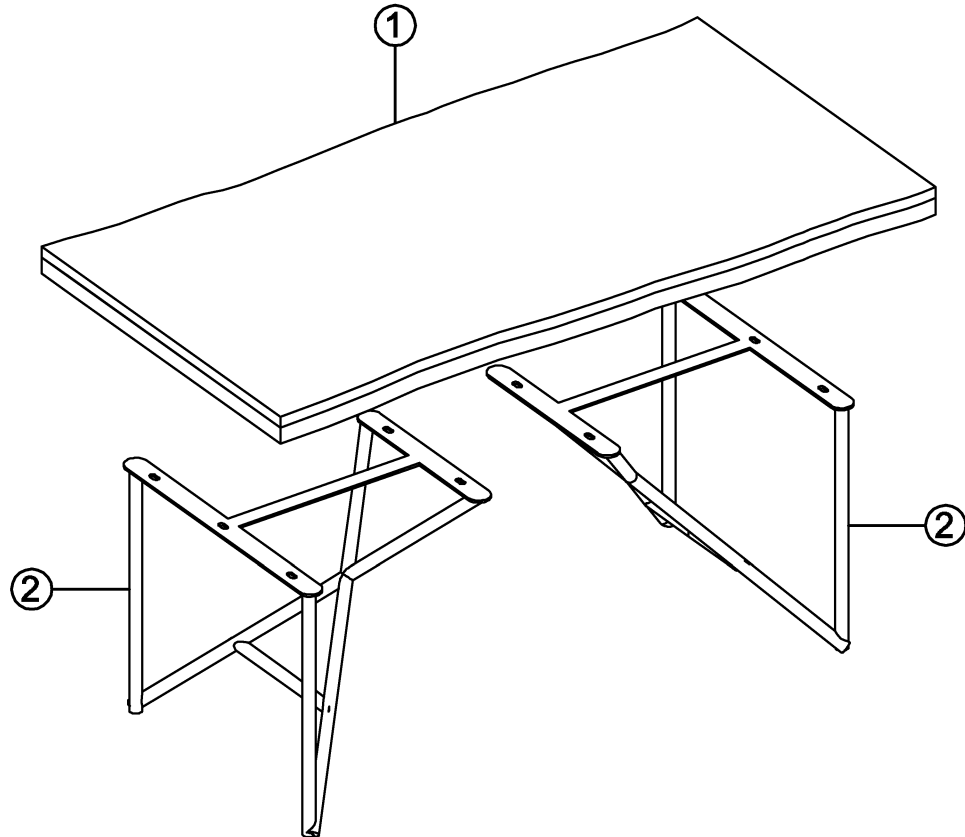
30 MIN







x2



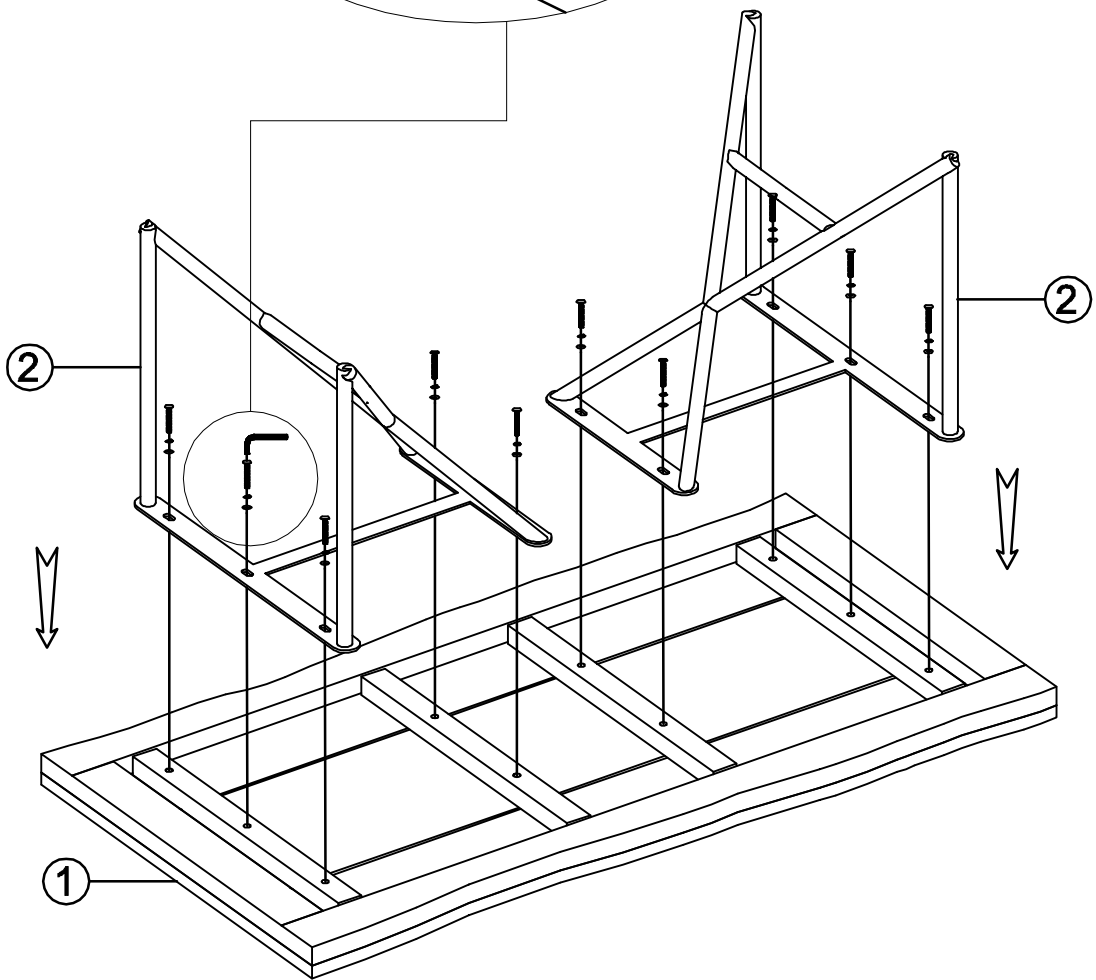
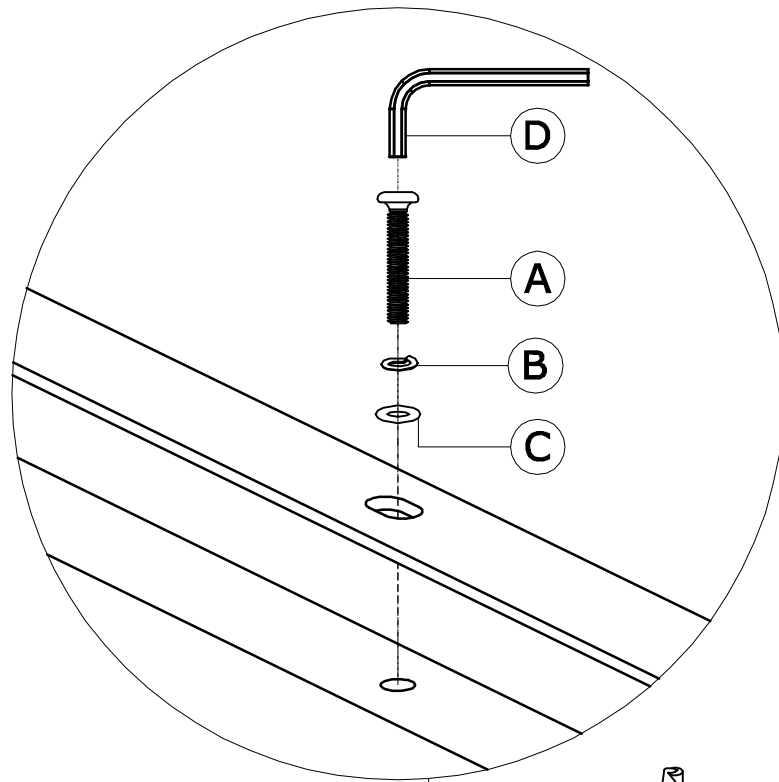
1	TOP	01 PC
2	LEGS	02 PCS






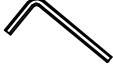
A	BOLT Ø15 x M8 x 30 mm		10 PCS
B	SPRING WASHER M8 x Ø13 x 1.2 mm		10 PCS

C	WASHER M8 x Ø19 x 2 mm		10 PCS
D	ALLEN KEY Ø4 x 60 mm		01 PC

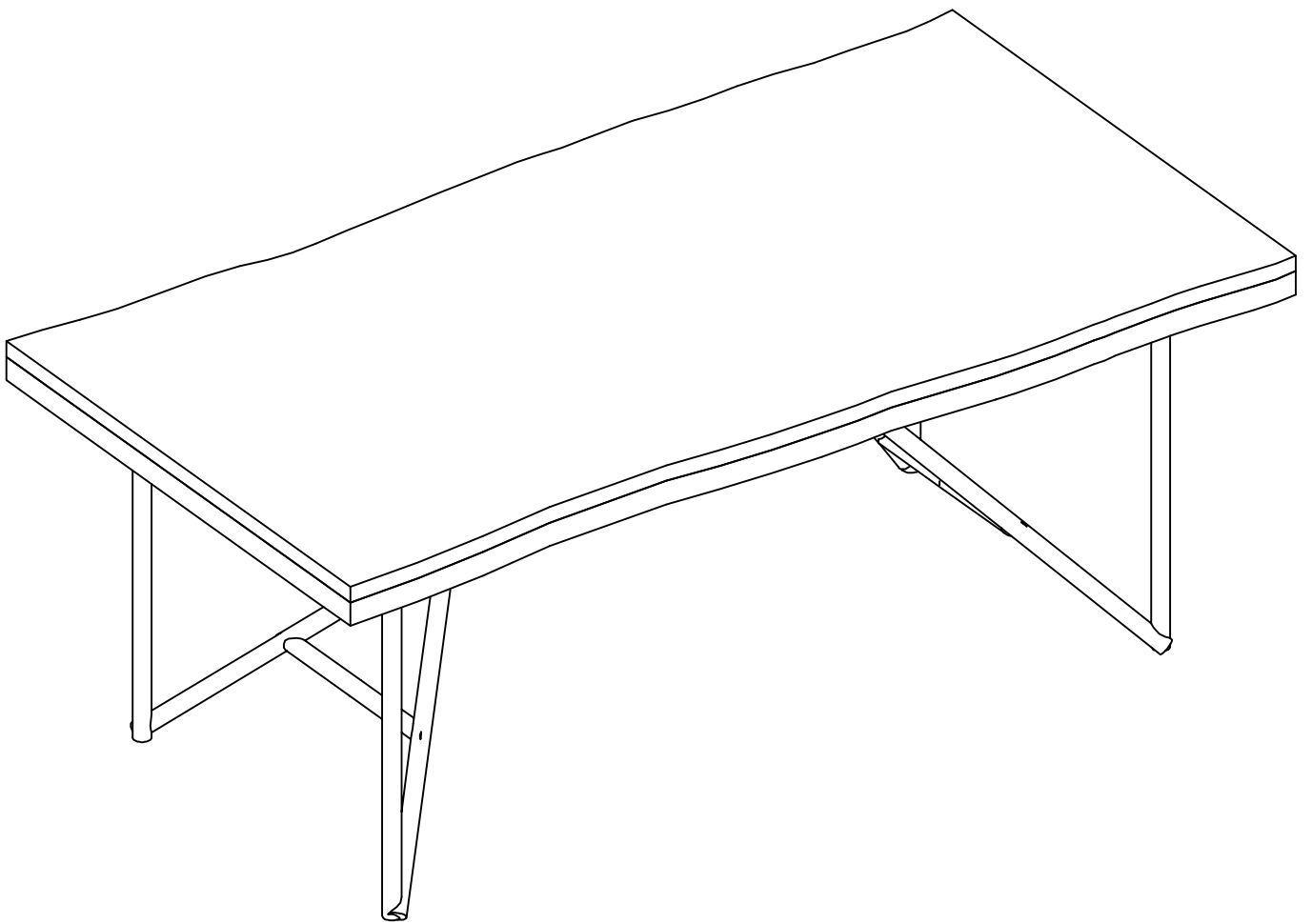
I



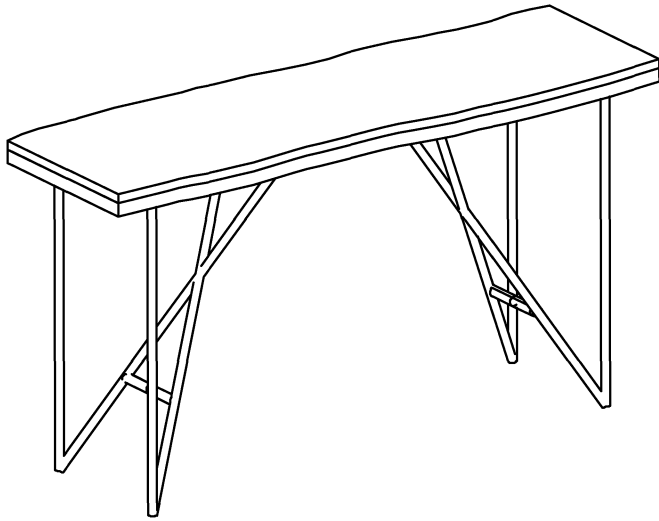
<b>A</b>	<b>BOLT</b> Ø15 x M8 x 30 mm		<b>10 PCS</b>
<b>B</b>	<b>SPRING WASHER</b> M8 x Ø13 x 1.2 mm		<b>10 PCS</b>

<b>C</b>	<b>WASHER</b> M8 x Ø19 x 2 mm		<b>10 PCS</b>
<b>D</b>	<b>ALLEN KEY</b> Ø4 x 60 mm		<b>01 PC</b>

**ASSEMBLY IS COMPLETE**



# CONSOLE TABLE TOP CONSOLE TABLE LEGS



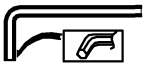
## ASSEMBLY INSTRUCTIONS



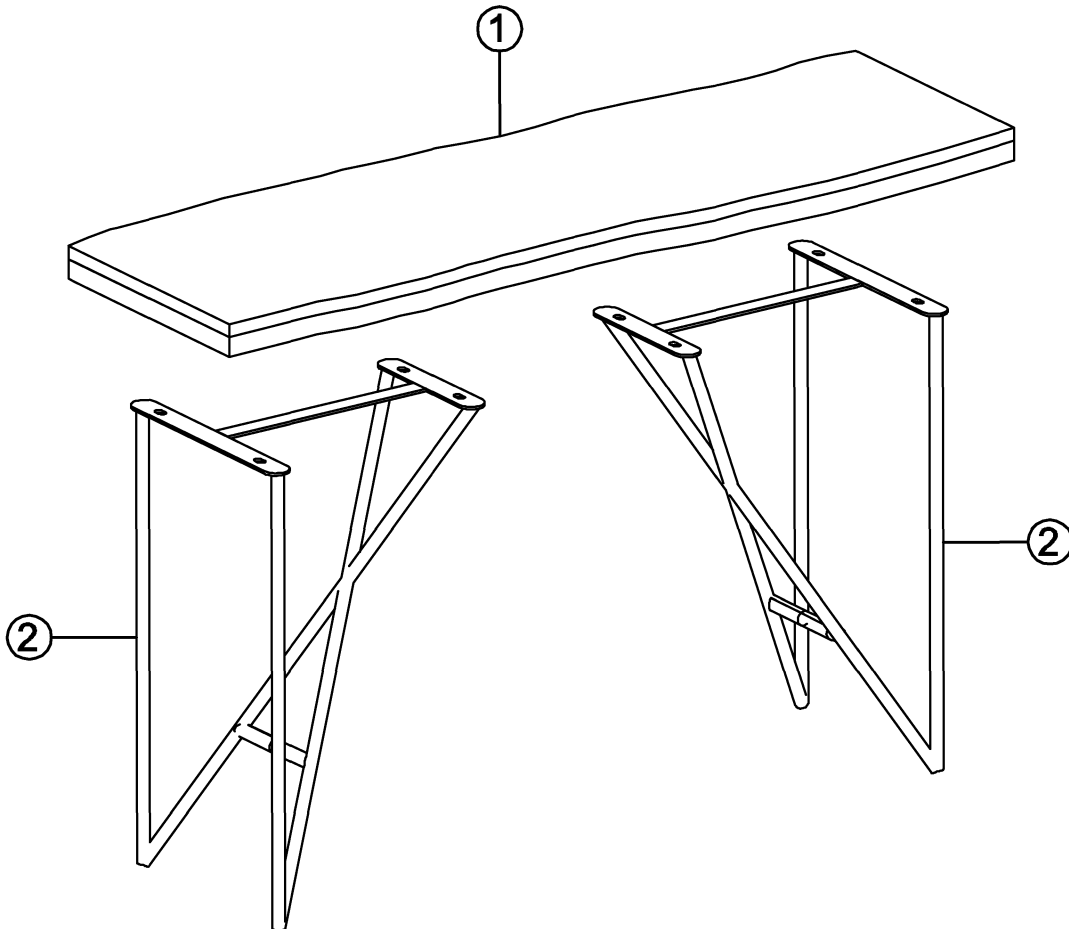
30 MIN







x2



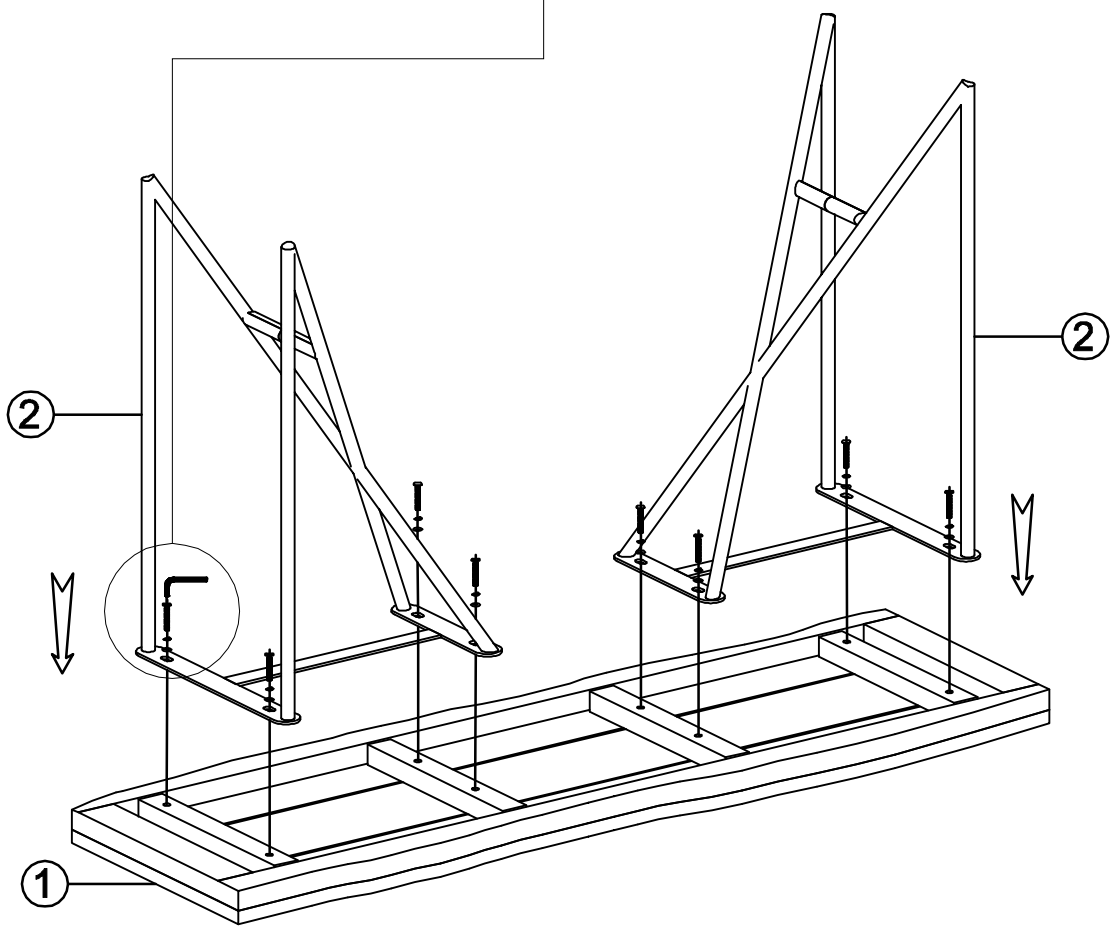
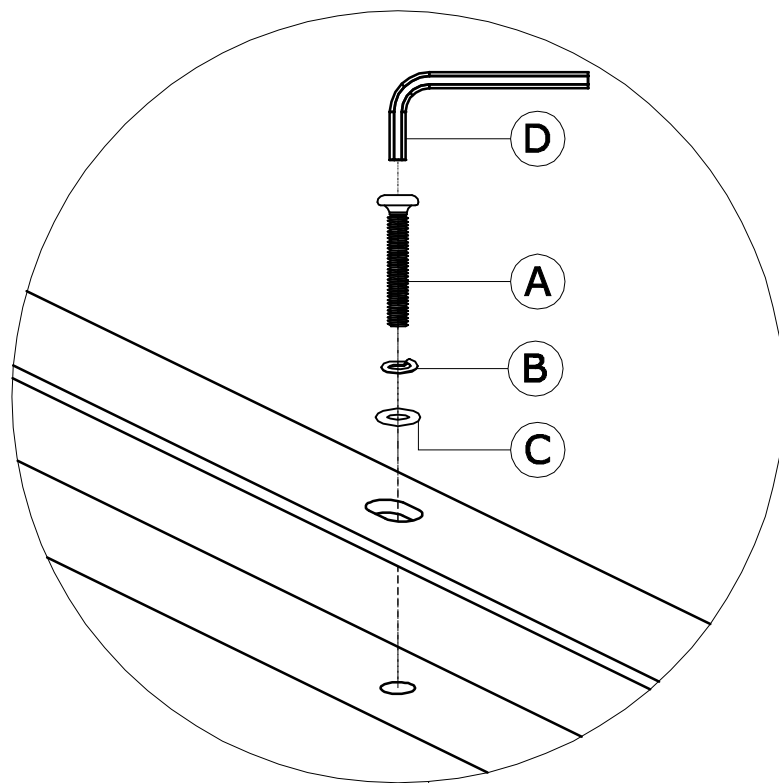
1	TOP	01 PC
2	LEGS	02 PCS






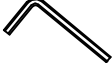
A	BOLT Ø15 x M8 x 30 mm		08 PCS
B	SPRING WASHER M8 x Ø13 x 1.2 mm		08 PCS

C	WASHER M8 x Ø19 x 2 mm		08 PCS
D	ALLEN KEY Ø4 x 60 mm		01 PC

I



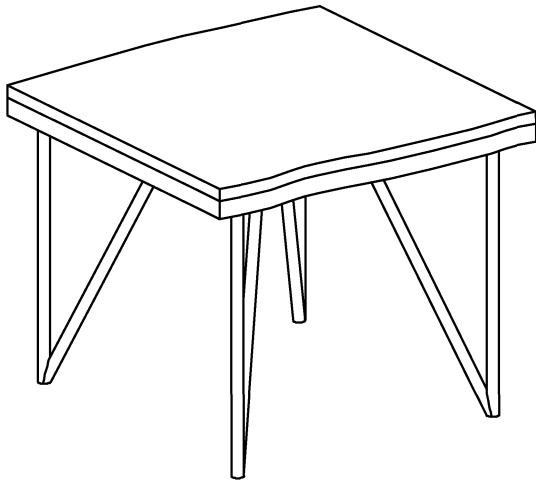
<b>A</b>	<b>BOLT</b> Ø15 x M8 x 30 mm		<b>08 PCS</b>
<b>B</b>	<b>SPRING WASHER</b> M8 x Ø13 x 1.2 mm		<b>08 PCS</b>

<b>C</b>	<b>WASHER</b> M8 x Ø19 x 2 mm		<b>08 PCS</b>
<b>D</b>	<b>ALLEN KEY</b> Ø4 x 60 mm		<b>01 PC</b>

**ASSEMBLY IS COMPLETE**



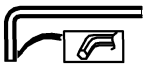
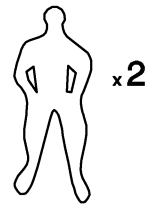
# END TABLE



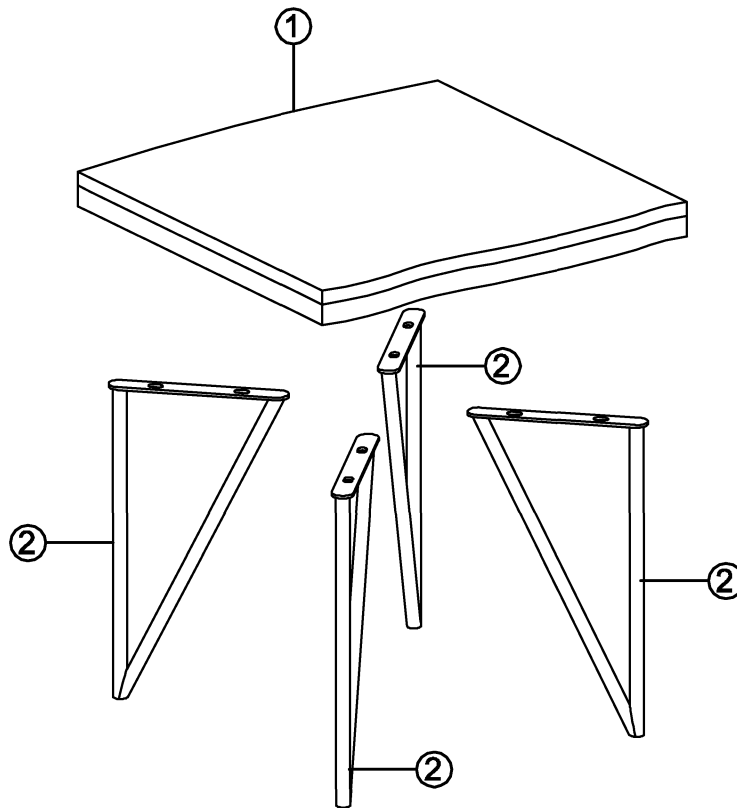
## ASSEMBLY INSTRUCTIONS







30 MIN



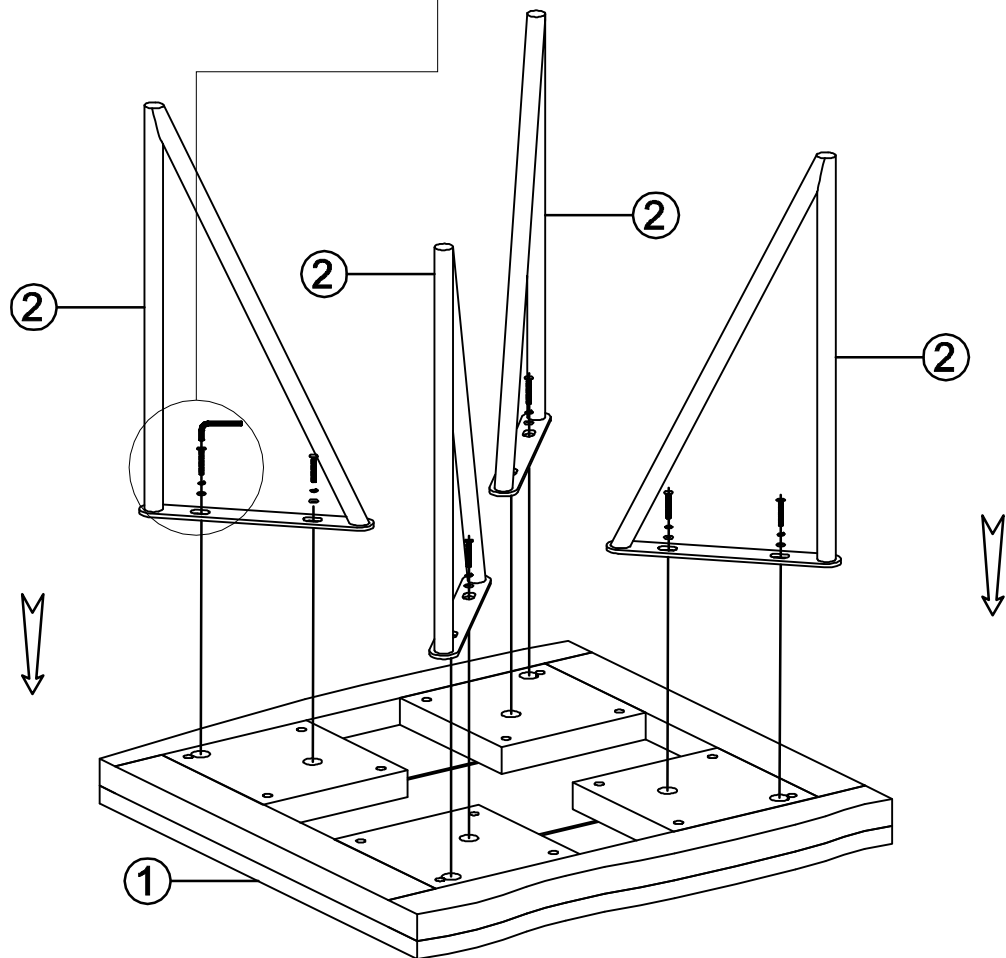
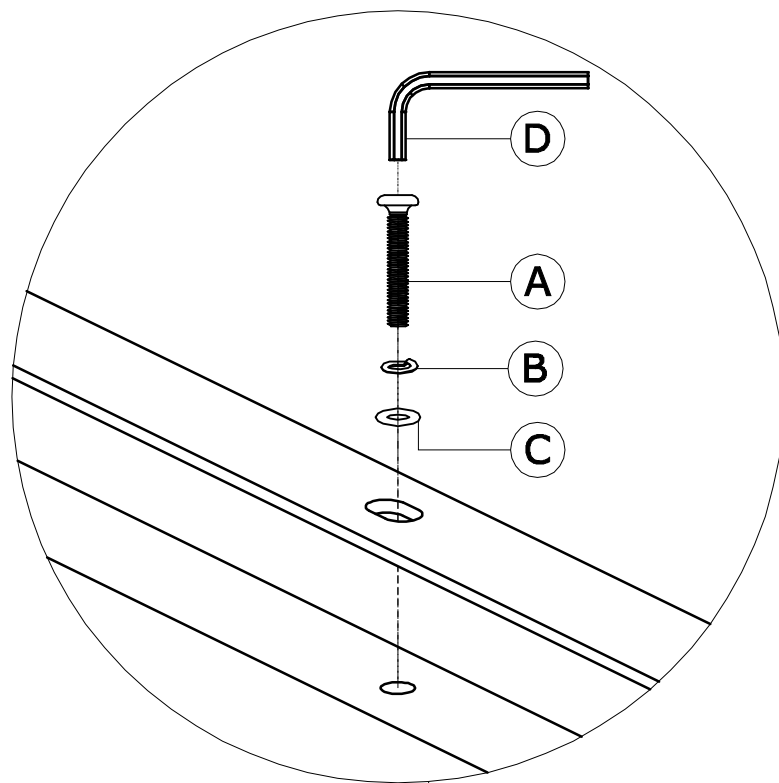
1	TOP	01 PC
2	LEGS	04 PCS






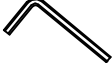
A	BOLT Ø15 x M8 x 30 mm		08 PCS
B	SPRING WASHER M8 x Ø13 x 1.2 mm		08 PCS

C	WASHER M8 x Ø19 x 2 mm		08 PCS
D	ALLEN KEY Ø4 x 60 mm		01 PC

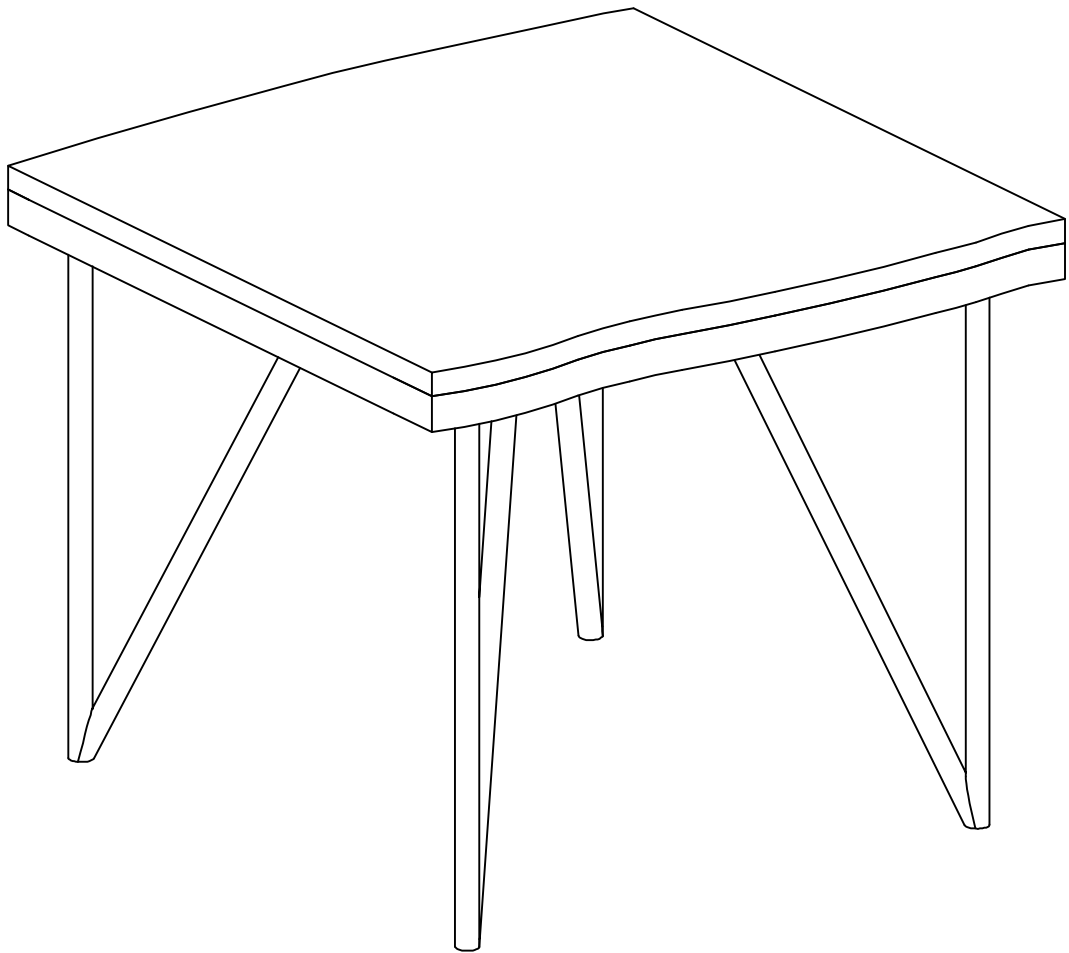
I



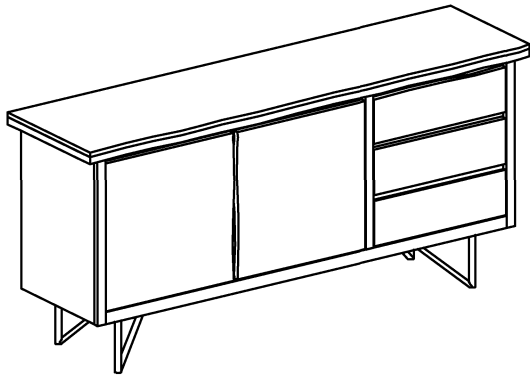
<b>A</b>	<b>BOLT</b> Ø15 x M8 x 30 mm		<b>08 PCS</b>
<b>B</b>	<b>SPRING WASHER</b> M8 x Ø13 x 1.2 mm		<b>08 PCS</b>

<b>C</b>	<b>WASHER</b> M8 x Ø19 x 2 mm		<b>08 PCS</b>
<b>D</b>	<b>ALLEN KEY</b> Ø4 x 60 mm		<b>01 PC</b>

**ASSEMBLY IS COMPLETE**



# SIDEBORD



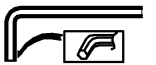
## ASSEMBLY INSTRUCTIONS



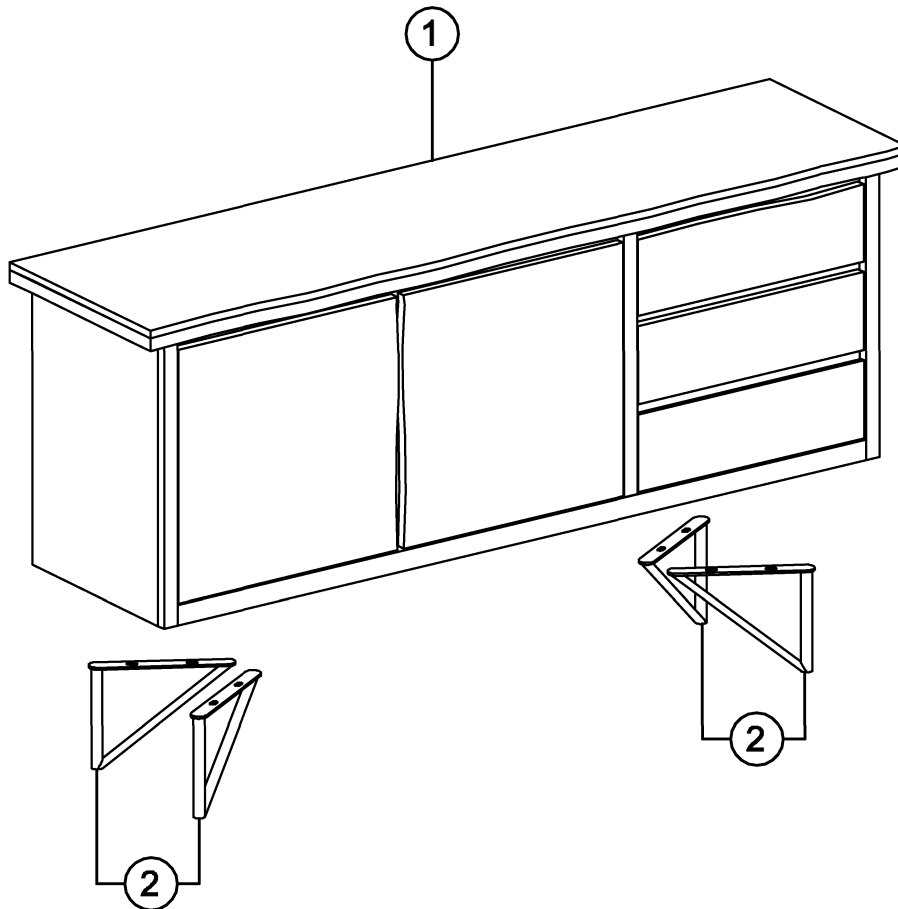
30 MIN



x2



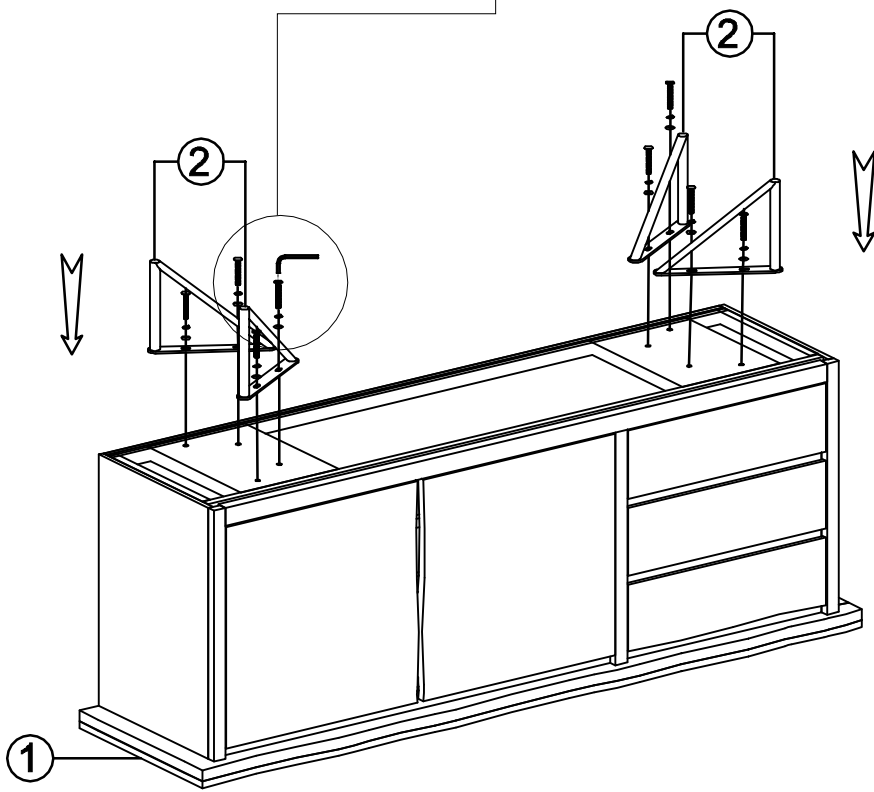
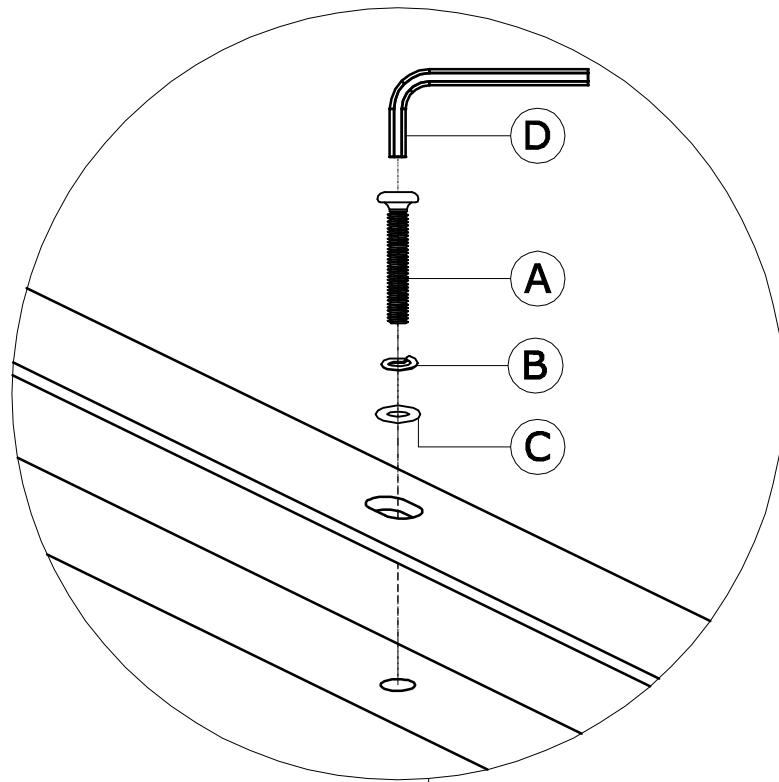
1	BODY	01 PC
2	LEGS	04 PCS






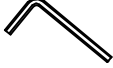
A	BOLT Ø15 x M8 x 30 mm		08 PCS
B	SPRING WASHER M8 x Ø13 x 1.2 mm		08 PCS

C	WASHER M8 x Ø19 x 2 mm		08 PCS
D	ALLEN KEY Ø4 x 60 mm		01 PC

I



<b>A</b>	<b>BOLT</b> Ø15 x M8 x 30 mm		<b>08 PCS</b>
<b>B</b>	<b>SPRING WASHER</b> M8 x Ø13 x 1.2 mm		<b>08 PCS</b>

<b>C</b>	<b>WASHER</b> M8 x Ø19 x 2 mm		<b>08 PCS</b>
<b>D</b>	<b>ALLEN KEY</b> Ø4 x 60 mm		<b>01 PC</b>

**ASSEMBLY IS COMPLETE**

