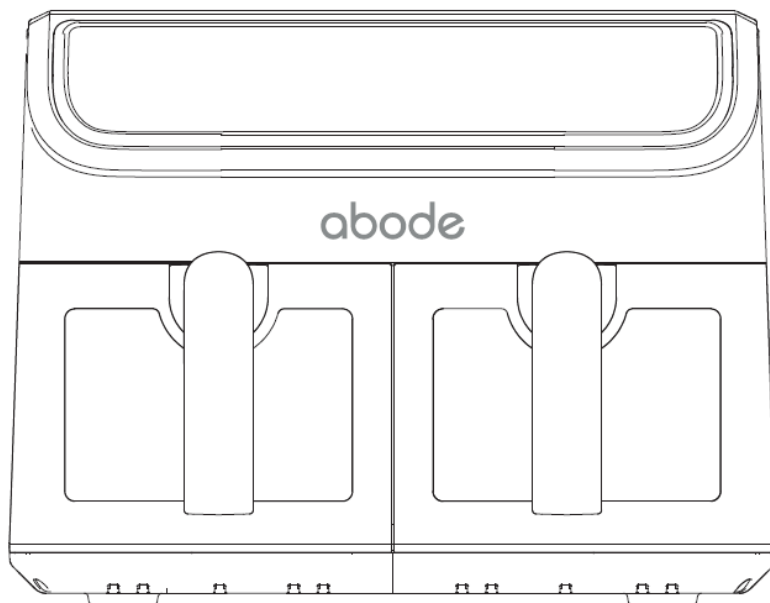


abode

Abode Dual Drawer Air Fryer User Guide



**Model Number:
AAF9000**

**PLEASE RETAIN FOR FUTURE
REFERENCE**

CONTENTS

	Page(s)
Safety Instructions	3-5
About Your Air Fryer	6
Getting Started	7
Using Your Air Fryer	8-12
Maintaining Your Air Fryer	13-14
Menu Presets	15
Product Information	16
Warnings	17
Guarantee and Customer Service	18
Connection to the Mains	19

SAFETY INSTRUCTIONS

READ CAREFULLY BEFORE USE AND KEEP FOR FUTURE REFERENCE

- Check that the voltage indicated on the rating label corresponds with that of the local network before connecting the appliance to the mains power supply.
- This appliance is not intended for use by persons with reduced physical, sensory or mental capabilities, or lack of experience and knowledge, unless they have been given supervision or instruction concerning the use of the appliance by a person responsible for their safety.
- Children should be supervised to ensure that they do not play with the appliance.
- Children should not perform cleaning or user maintenance.
- Keep the appliance and its power supply cord out of the reach of children.
- This appliance is not a toy.
- This appliance does not contain user serviceable parts. If the power supply cord, plug or any part of the appliance is malfunctioning or if it has been dropped or damaged, only a qualified electrician should carry out repairs. Improper repairs may place the user at risk of harm.
- Keep the appliance and its power supply cord away from heat or sharp edges that could cause damage.
- Keep the power supply cord away from any parts of the appliance that may become hot during use.
- Keep the appliance away from other heat emitting appliances. Keep hands, fingers, hair and any loose clothing away from the rotating tools of the appliance.

SAFETY INSTRUCTIONS

READ CAREFULLY BEFORE USE AND KEEP FOR FUTURE REFERENCE

- Do not immerse the appliance in water or any other liquid.
- Do not operate the appliance with wet hands.
- Do not leave the appliance unattended whilst connected to the mains power supply.
- Do not remove the appliance from the mains power supply by pulling the cord. Instead switch it off and remove the plug by hand.
- Do not use the appliance for anything other than its intended use.
- Do not use any accessories other than those supplied.
- Do not use this appliance outdoors.
- Do not store the appliance in direct sunlight or in high humidity conditions.
- Do not move the appliance whilst it is in use.
- Do not touch any sections of the appliance that may become hot or the heating components of the appliance, as this could cause injury.
- Do not use sharp or abrasive items with this appliance; use only heat-resistant plastic or wooden spatulas to avoid damaging the non-stick surface.
- Always unplug the appliance after use and before any cleaning or user maintenance.
- Always ensure that the appliance has cooled fully after use before performing any cleaning or maintenance or storing away.
- Always use the appliance on a stable, heat-resistant surface, at a height that is comfortable for the user.

SAFETY INSTRUCTIONS

READ CAREFULLY BEFORE USE AND KEEP FOR FUTURE REFERENCE

- This appliance is intended for domestic use only. It should not be used for commercial purposes.
- The outer surface of the appliance may get hot during operation.

Caution: Hot surface - do not touch the hot parts or heating components of the appliance.

Caution: Take care not to pour water on the heating element.

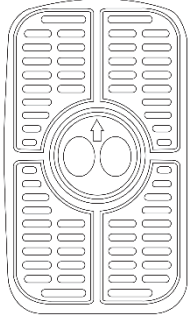
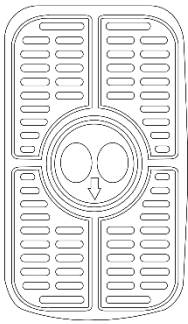
Warning: Keep the appliance away from flammable materials.

FOR HOUSEHOLD USE ONLY

INSTRUCTIONS SHOULD BE KEPT

ABOUT YOUR AIR FRYER

Parts

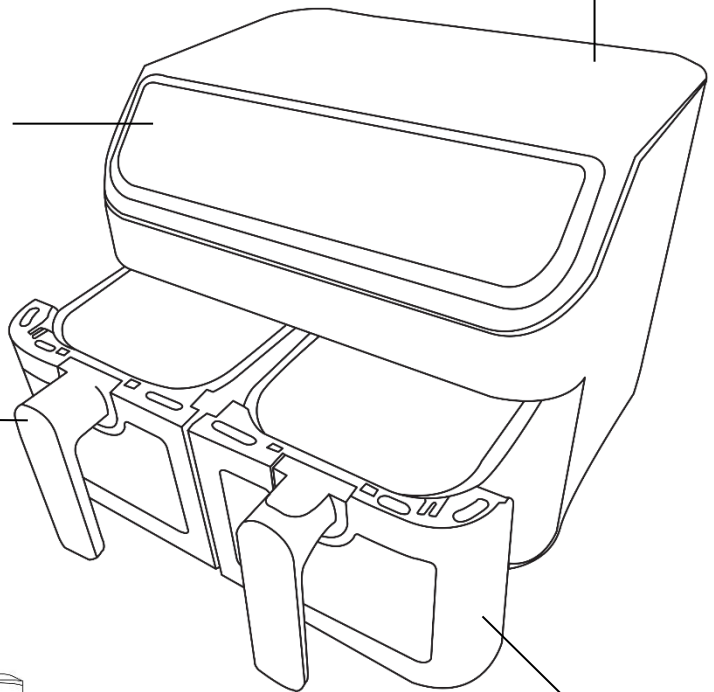


Non-stick trays

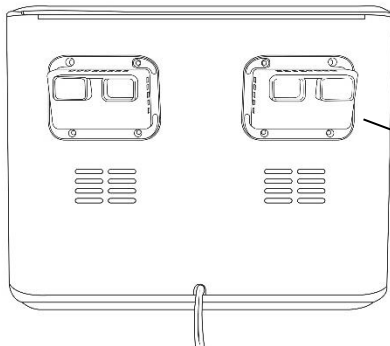
Air fryer main unit

Control panel

Cooking drawers handle



Cooking drawers



Rear air vents

GETTING STARTED

Before first use

1. Remove all packaging materials and stickers or labels.
2. Check that the air fryer is switched off and unplugged from the mains power supply.
3. Clean the drawers in warm, soapy water and then rinse and dry thoroughly. Do not immerse the main unit in water or any other liquid.
4. Never use harsh or abrasive cleaning detergents or scourers to clean the air fryer or its accessories, as this could cause damage.
5. Wipe inside and outside of the appliance with a soft, damp cloth and dry thoroughly.
6. Place the appliance on a stable, horizontal and even surface at a height comfortable for the user.
7. Allow 10cm ventilation at the top, back and sides of the air fryer during use.

Warning: Do not place the appliance on a non heat-resistant surface.

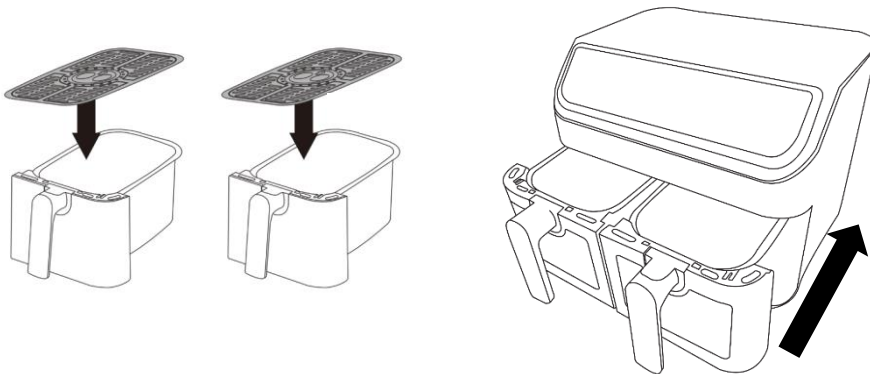
Note: When using the air fryer for the first time, a slight smoke or odour may be emitted. This is normal and will soon subside.

It is advised to run the air fryer without food for approximately 10 minutes before first use; this will prevent the initial smoke or odour from affecting the taste of the food.

USING YOUR AIR FRYER

Operating Instructions

- Fit the non-stick coated cooking trays into the drawers, and ensure they are pushed all the way to the bottom.
- Slide the cooking drawers into the air fryer main unit to close it.



Note: The air fryer comes pre-assembled. The drawers should be closed securely, and “clicked” into place before use, or the air fryer will not turn on.

- Plug in and switch on the air fryer at the mains power supply.
- To begin cooking press the standby button.



- Remove a drawer by pulling it out of the air fryer using the handle.
- Place the drawer onto a flat, stable, heat-resistant surface.
- Place the ingredients into the non-stick coated cooking drawer and then slide the cooking drawer back into the air fryer to close it.

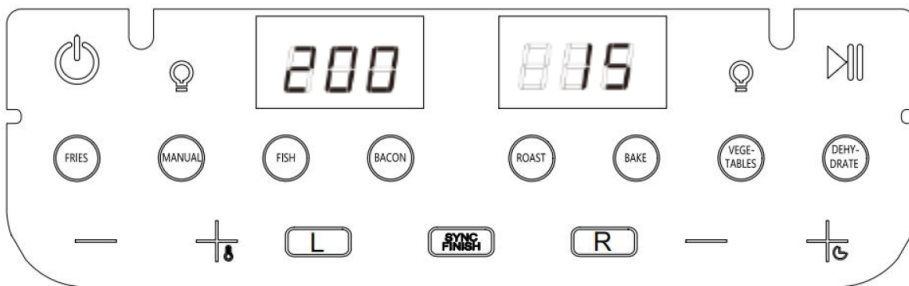
Note: Never use the drawers without the non-stick trays in place.

USING YOUR AIR FRYER

- Select the drawer you wish to program, by pressing the “L” or “R” buttons on the control panel (“L” = left drawer & “R” = right), now all the presets will be illuminated for you to select from.



- The selected program will then remain illuminated along with the timer countdown and temperature.



- To begin cooking press “start/pause”.



Setting the temperature

- This can be adjusted at any time.
- The temperature button will adjust the temperature by 5 °C at a time. Keeping the button held down will rapidly change the temperature.
- The temperature control range is 80°C - 200°C.



USING YOUR AIR FRYER

Setting the cooking time

- This can be adjusted during cooking at any time.
- The timing control button will adjust the cooking time by one minute at a time. Keeping the button held down will rapidly change the time
- The air fryer may prompt you to shake the food dependent on the program selected. For the applicable programs the air fryer will beep 3 times and show “trn” on the display.
- To shake your food, remove the drawer by pulling the handle, shake the drawer gently and then slide it back into the air fryer to close it and continue to cook.
- Once cooking is complete and the preset time has elapsed, check whether the food is ready by carefully opening the drawer.
- If the food is not cooked, close the drawer and use the timer to increase the cooking time.
- If the food is cooked, remove the non-stick coated drawer and then tip the contents into a bowl or onto a plate.
- To pause the air fryer press “start/pause” once, press again to restart.



Running Two Drawers

If you wish to run 2 drawers at the same time you have 3 options:

- Assign each drawer a different program, e.g. a different finish time & temperature.
- Set the drawers with different programs that have different timings and synchronise their finish times.
- Duplicate drawer 1 settings across to drawer 2.

USING YOUR AIR FRYER

Programming Drawer 2

- Before pressing the "start/pause" button to begin cooking in drawer 1, select drawer 2 and repeat the programming settings as desired. Then press "start/pause" to begin cooking in both drawers.
- To replicate settings from drawer 1, press "Sync Finish", then press "start/pause" to begin the cooking.



Synchronise Finish Times

- If you have programmed the drawers with different time settings and would like them to finish at the same time you can select "Sync Finish" before pressing "start/pause". This will delay the start of one drawer and synchronise finish times.

Tip: Select the light icon to view the food through the window.

Note: Use a pair of heat-resistant tongs (not included) if the food is large or fragile.

Caution: Do not tip the food directly into a bowl or onto a plate, as excess oil may collect at the bottom of the drawer and leak onto ingredients.

USING YOUR AIR FRYER

Warning: Voltage is still present even when the appliance is turned to the off position. To permanently switch off the air fryer, turn it off at the mains power supply.

AUTOMATIC SWITCH-OFF

The air fryer is fitted with an automatic switch-off and this will activate if:

- The set cooking time has elapsed. The timer will sound and the automatic switch-off will activate, turning off the air fryer.
- The cooking drawer is pulled out from the air fryer during cooking. Once the cooking drawer is reinserted, the timer will continue to count down until the cooking time has elapsed.
- If, once switched on, no button is pressed for a minute.



MAINTAINING YOUR AIR FRYER

Cleaning

- Clean the appliance after every use.
- Before cleaning, remove the mains plug from the mains supply.
- Make sure your appliance has cooled down completely before cleaning.
- Wipe the outside of the appliance with a moist cloth.
- Clean the nonstick basket with warm, soapy water, then rinse and dry thoroughly.
- The trays and drawers are dishwasher safe for a normal cycle, on the top shelf, but please note this may affect the surface appearance over time.
- Check that the air fryer is cool, clean and dry before storing in a cool, dry place.
- Never wrap the cord tightly around the air fryer; wrap it loosely to avoid causing damage.

CAUTION: Do not immerse the main unit in water or any other liquid.

CAUTION: Never use harsh or abrasive cleaning detergents or scourers to clean the air fryer or its accessories, as this could cause damage.

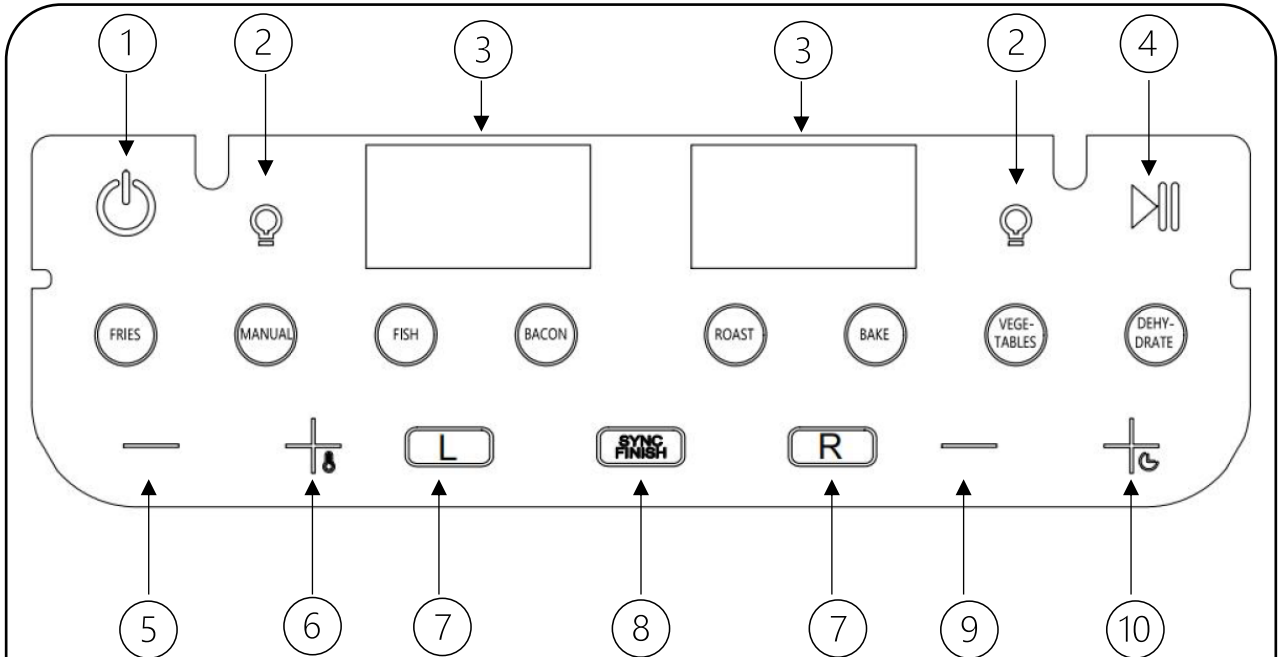
WARNING: Always unplug the appliance from the electrical outlet before assembling, disassembling, relocating, servicing or cleaning it.

MAINTAINING YOUR AIR FRYER

Storage

- Ensure all parts are dry before storage.
- Store the appliance in a dry box or in a clean, dry place.
- Never store the appliance while it is still wet or dirty.
- Never wrap the power cord around the appliance.

MENU PRESETS



- | | | |
|-----------------|------------------|-------------------|
| 1. Standby | 5. Decrease temp | 8. Sync Finish |
| 2. Drawer light | 6. Increase temp | 9. Decrease time |
| 3. Display | 7. Drawer | 10. Increase time |
| 4. Start/Pause | selectors | |

Program	Pre-Set	Pre-Set	Program	Pre-Set	Pre-Set
	Temp	Time (mins)		Temp	Time (mins)
Fries	200	28	Roast	200	25
Manual	Adjustable	Adjustable	Bake	180	12
Fish	200	18	Vegetables	160	20
Bacon	180	8	Dehydrate	65	480

All presets are a guide, the air fryer can be adjusted to your personal preference of time and temperature

PRODUCT INFORMATION

Technical Specification

Model number	AAF9000
Rated Voltage	220-240V~50Hz/60Hz
Net capacity (litres)	9 litres
Wattage (W)	1800 – 2000W

ENERGY CONSUMPTION

Product information for power consumption and maximum time to reach applicable low power mode

Off mode	Power Consumption (Off Mode)	Not applicable
	Setting and the maximum time need to reach the applicable low power condition	Not applicable
Standby mode	Power Consumption (Standby)	0.5W
	Setting and the maximum time needed to reach the applicable low power condition	20 minutes

WARNINGS



WARNING: To reduce the risk of personal injury, always unplug the Air Fryer before performing maintenance or trouble shooting checks.

- Only hold the cooking compartment by the drawer handle.
- Take care when removing the non-stick coated cooking drawer, as steam may be emitted.
- Do not overturn the non-stick cooking basket with food inside, as excess oil may collect at the bottom of the pan.
- Do not cover the air fryer or its air inlets, as this will disrupt the airflow and could affect the cooking results.
- Do not fill the inside of the air fryer with oil or any other liquid.
- Do not touch the inside of the air fryer during or straight after use, as it gets very hot. Only hold the drawer by the handle.



This symbol
means:
CAUTION:
Hot Surfaces

GUARANTEE & CUSTOMER SERVICES

Guarantee

This product is guaranteed for **12 months** from the date of the original purchase. If any defect arises due to faulty materials or workmanship, the faulty product must be returned to the place of purchase.

Refund or replacement is at the discretion of the retailer.

The following conditions apply:

- The product must be returned to the retailer with the original proof of purchase.
- The product must be installed and used in accordance with the instructions contained in this instruction guide and any other instructions for use which are supplied.
- It must be used for domestic purposes only and for its intended use.
- This warranty does not cover wear and tear, damage, misuse or consumable parts.

This does not affect your statutory rights.

Customer Service

Region	Contact	Website
UK & Northern Ireland	0345 209 7461	www.thisabode.co.uk
Ireland	1 800 938982	
Rest of Europe	europe@productcaregroup.com	

CONNECTION TO THE MAINS SUPPLY

WARNING- THIS APPLIANCE MUST BE EARTHED

This appliance is designed to operate from a mains supply of AC220V - 240V; 50Hz/60Hz.

Check that the voltage marked on the product corresponds with your supply voltage.

For UK use only – Plug fitting details (where applicable):

As the colours of the wires in the mains lead of this appliance may not correspond with the coloured markings identifying the terminals in your plug, proceed as follows:

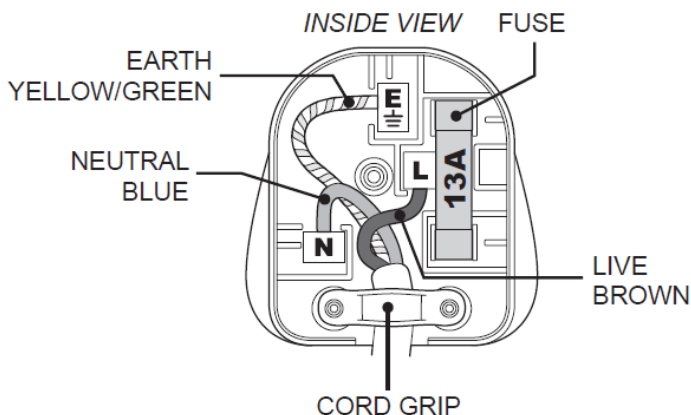
The GREEN/YELLOW wire is the EARTH and must be connected to the terminal which is marked with the letter E or by the earth symbol or coloured GREEN or GREEN/YELLOW.

The BLUE wire is the NEUTRAL and must be connected to the terminal marked with the letter N or coloured BLACK.

The BROWN wire is the LIVE wire and must be connected to the terminal marked with the letter L or coloured RED.

Always ensure that the plug cord grip is fastened correctly.

If a 13A (BS1363) fused plug is used it must be fitted with a 13amp fuse conforming to BS1362 and be BSI or ASTA approved.



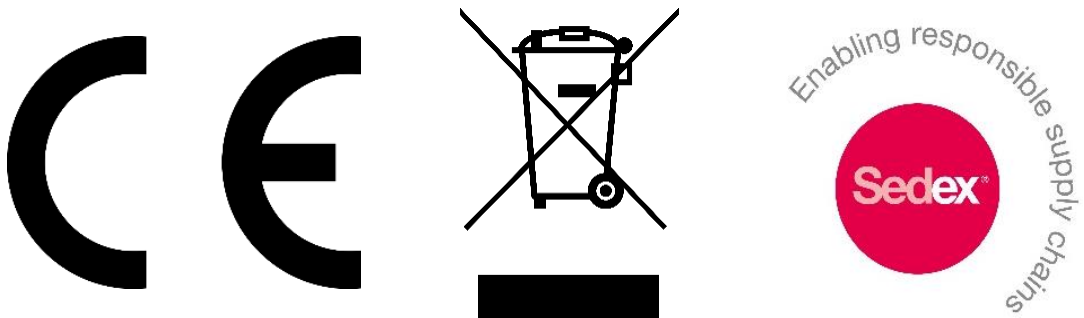
abode

Made by Product Care Trading Limited

Product Care Trading Ltd, Unit 1, Green Bank Business Park, Swan Lane,
Hindley Green, Wigan, WN2 4AY, United Kingdom

Product Care (Ireland) Ltd, Unit 3D North Point House, North Point
Business Park, New Mallow Road, Cork, T23 AT2P, Ireland

Abode Support: call 0345 209 7461



The 'wheelie bin' symbol is known as the 'Crossed-out wheelie bin Symbol'.

When this symbol is marked on a product/batteries, it means that the product/batteries should not be disposed of with your general household waste. Only discard electrical/electronic/battery items in separate collection schemes, which cater for the recovery and recycling of materials contained within. Your co-operation is vital to ensure the success of these schemes and for the protection of the environment. For your nearest disposal facility, visit www.recycle-more.co.uk or ask in store for details.

SEDEX – Connecting businesses and their global suppliers to share ethical data and enabling improvement in ethical performance. Visit www.sedex.org.uk for further information.

We reserve the right, due to possible changes to design, to alter the instruction manual without prior notice.

Revision 1.13