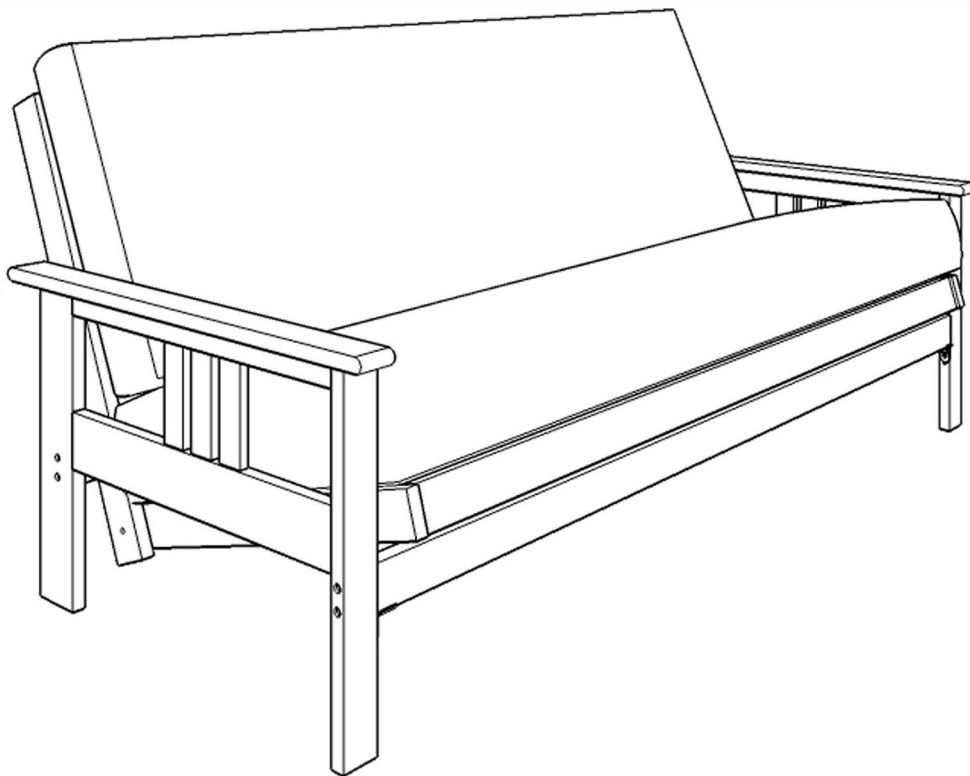


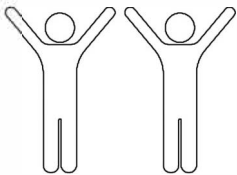


# Futon Frame

## Assembly Instructions



Required:



Tools Needed:



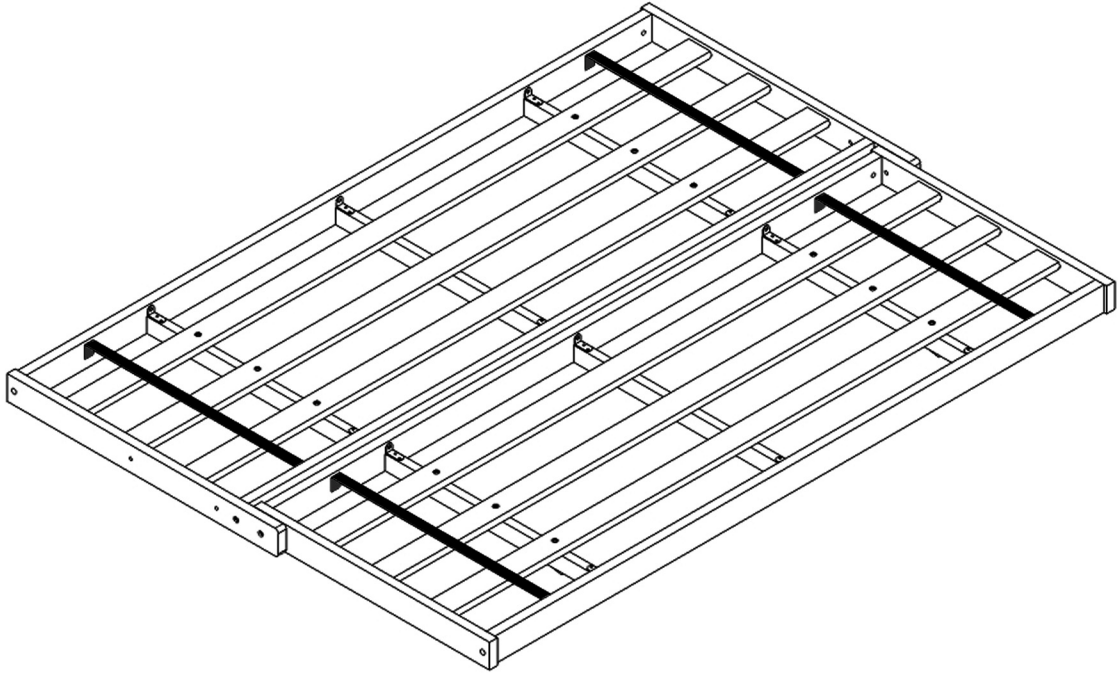
Allen Key provided

Please cover floor with corrugated cardboard / paper / carpet  
to avoid scratches / damages to floor

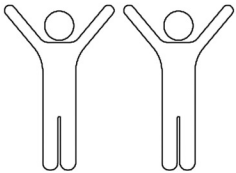


# Body

## Assembly Instructions



Recommended:



Tools Needed:



Allen Key provided

Please cover floor with corrugated cardboard / paper / carpet  
to avoid scratches / damages to floor

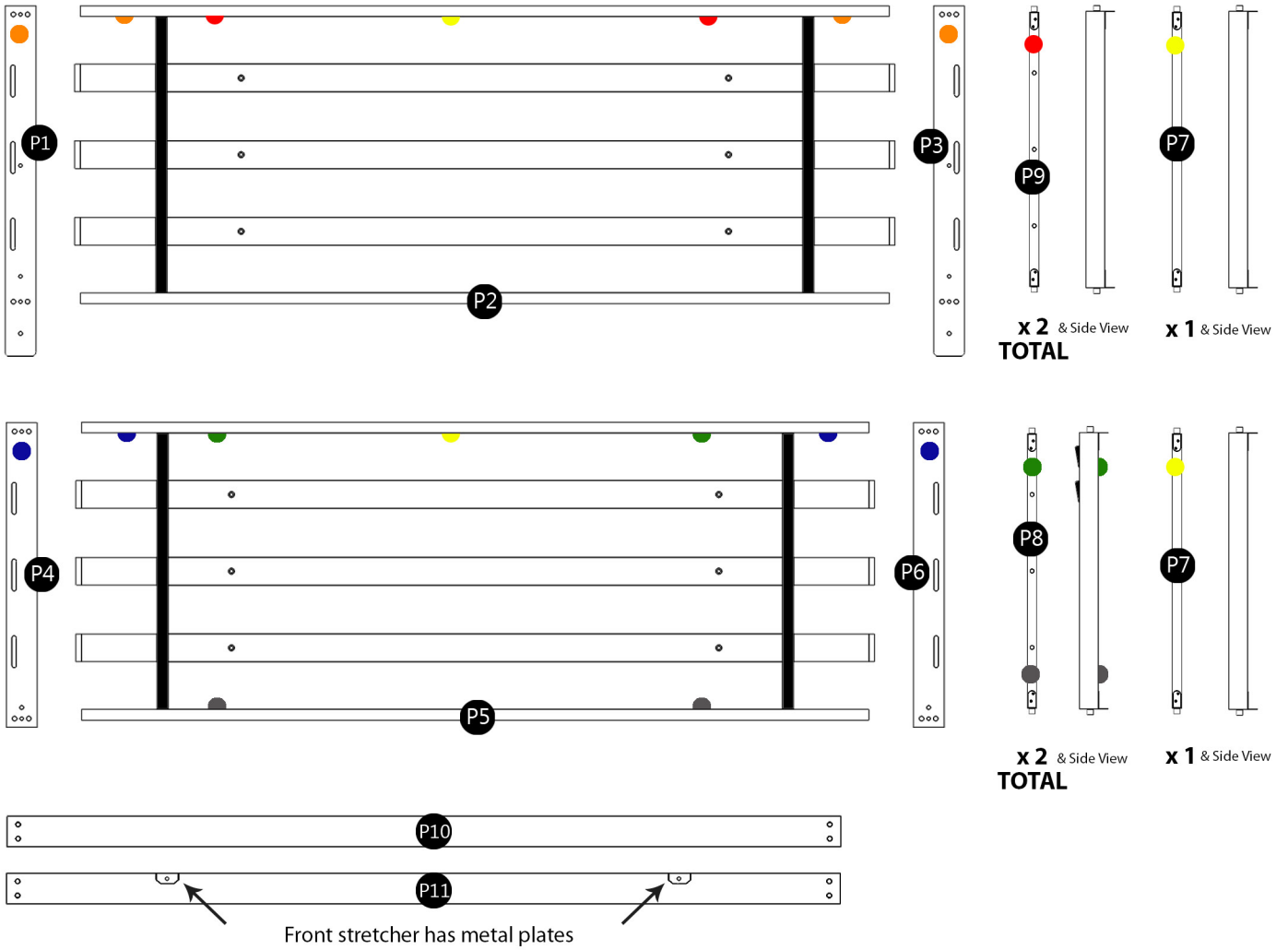
# Assembly Checklist

Please make sure that you have all of the below items before you start. If any are missing, please contact us for a replacement.



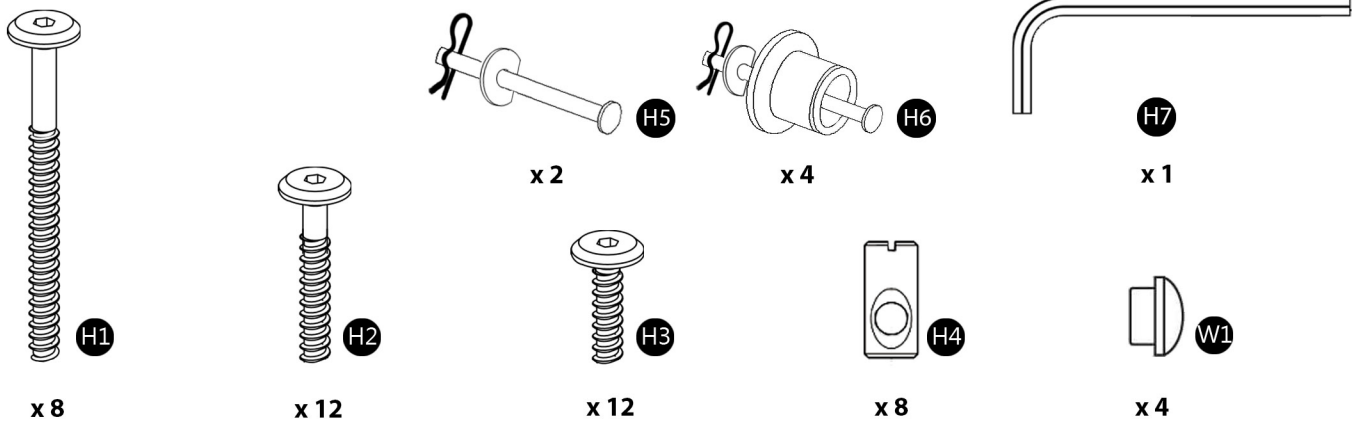
## Parts supplied for assembly

Box A



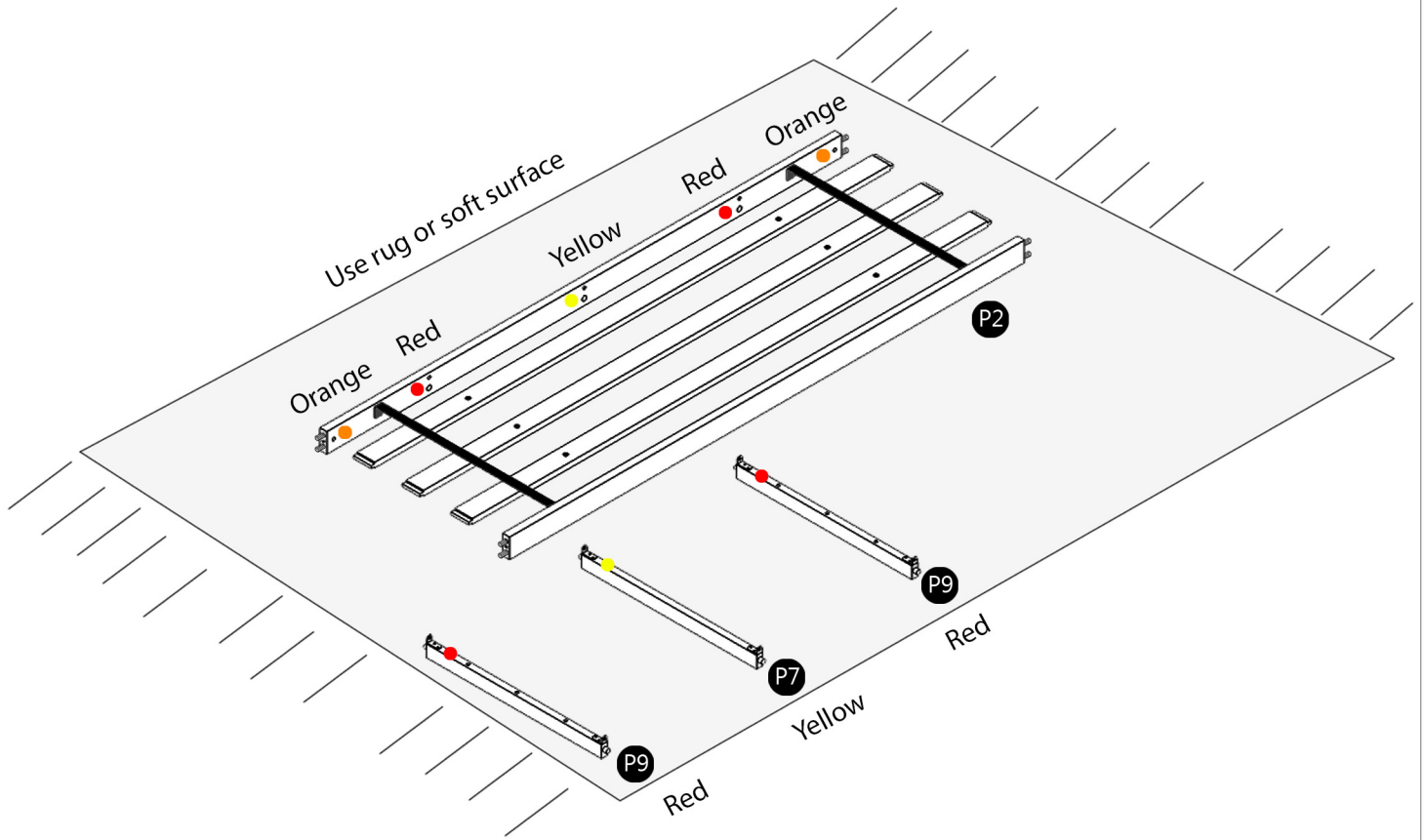
## Hardware supplied for assembly

Tools required for assembly:  
- Allen Key (supplied)

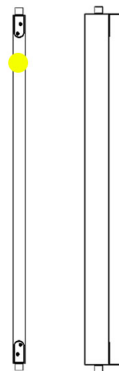


# Step 1: Locate parts P2, P9(2), & P7

Use colored dots to align parts for connection.

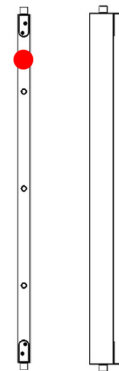


Yellow



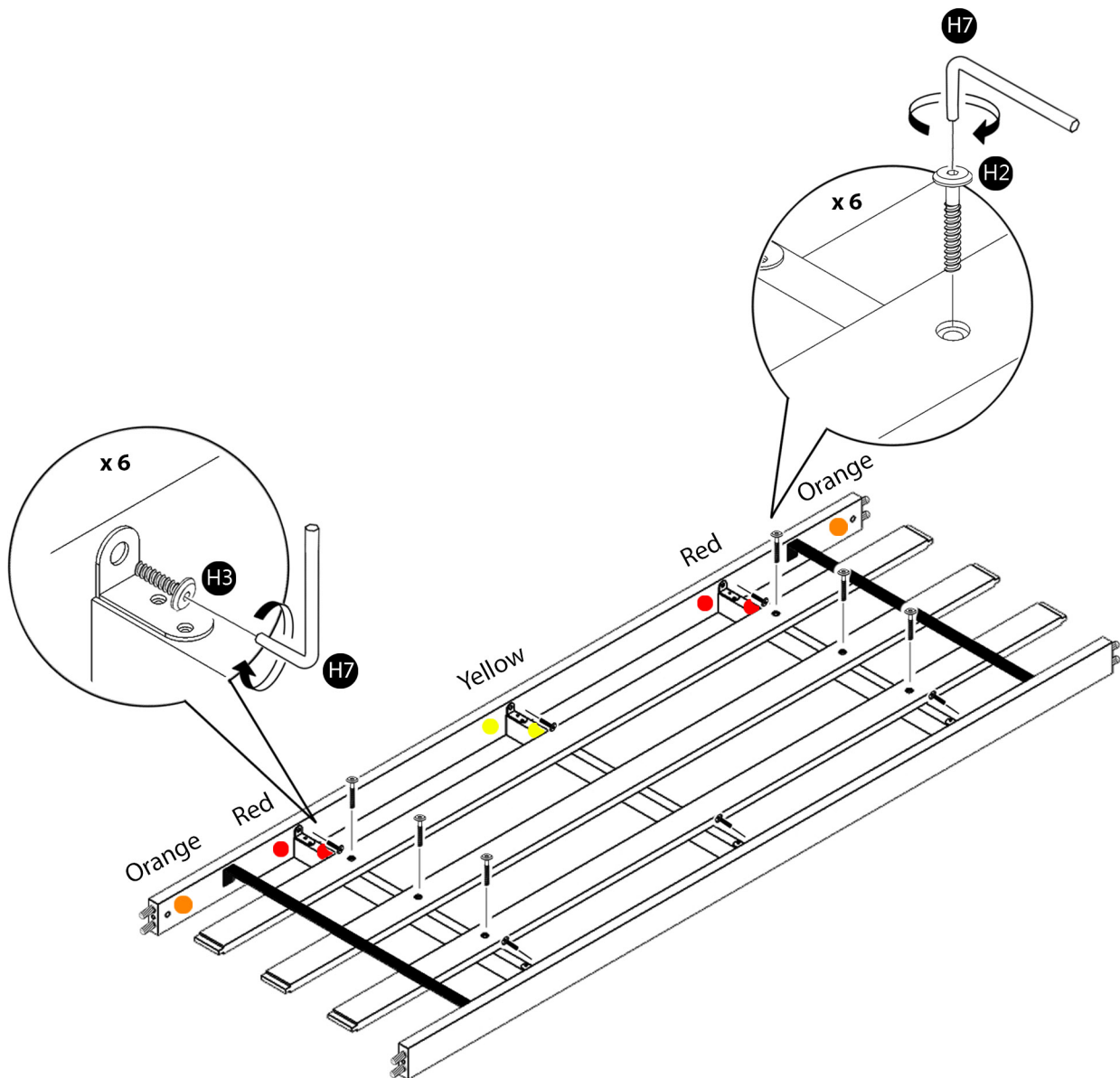
**P7** & Side View  
**x 1**

Red

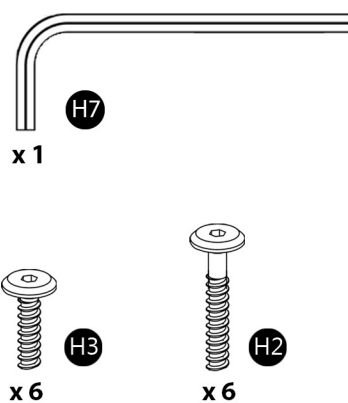


**P9** & Side View  
**x 2**

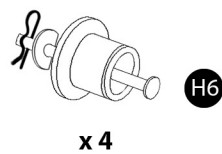
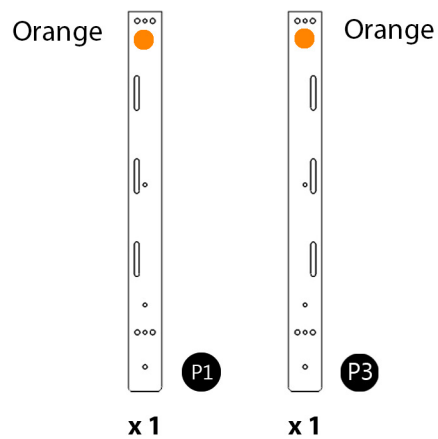
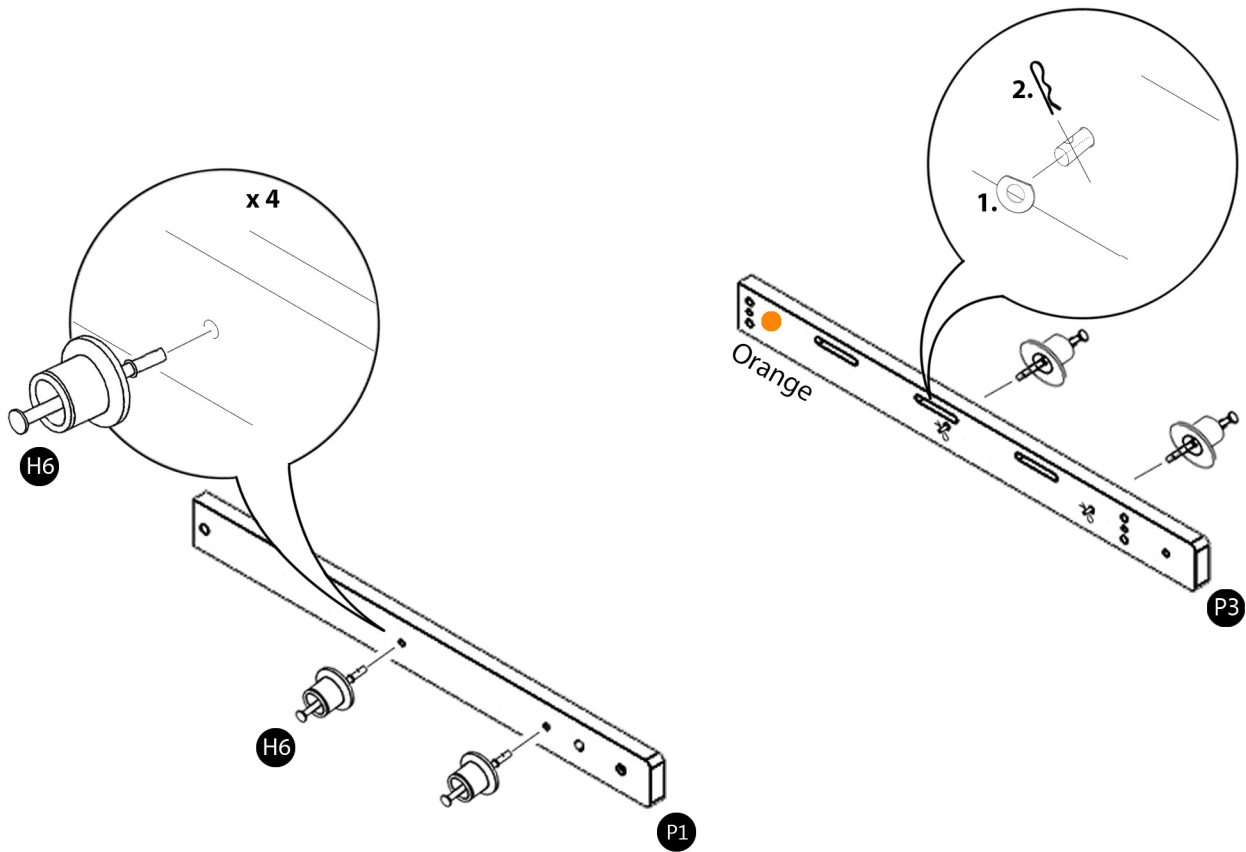
**Step 2:** Attach P7 and P9(2) to P2 with hardware as shown



Loosely attach H2 and H3 bolts.

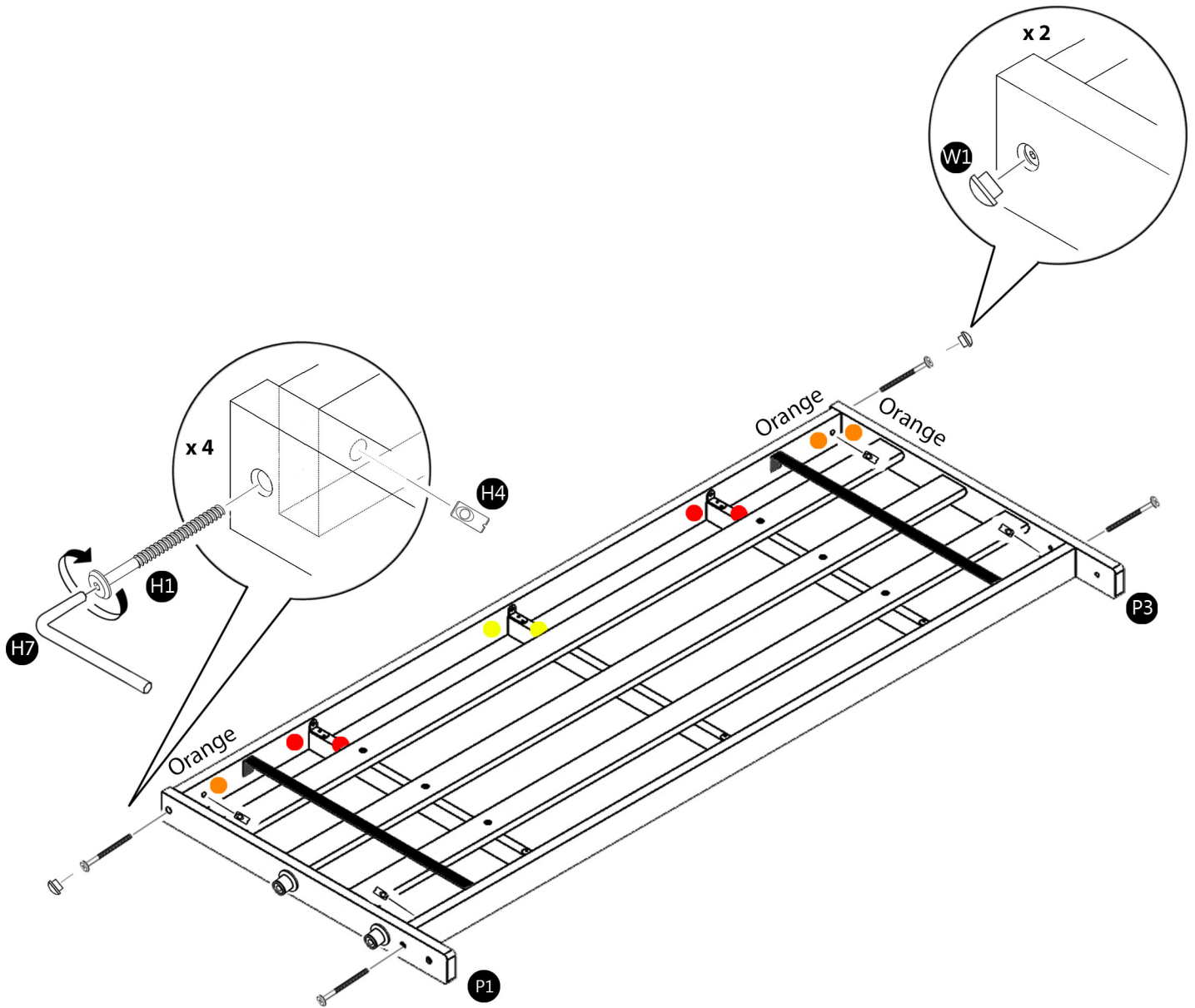


**Step 3:** Attach four nylon guides (H6) as shown

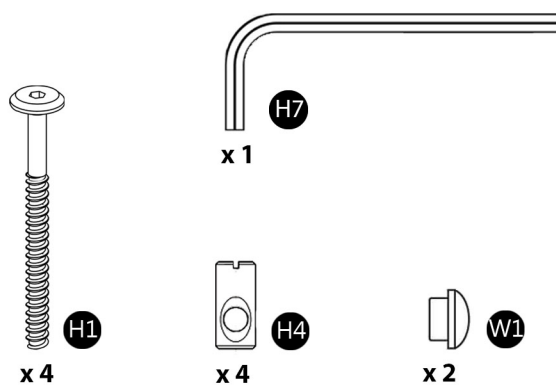


## Step 4: Attach P1 & P3 to back deck P2

Use colored dots to align parts for connection.

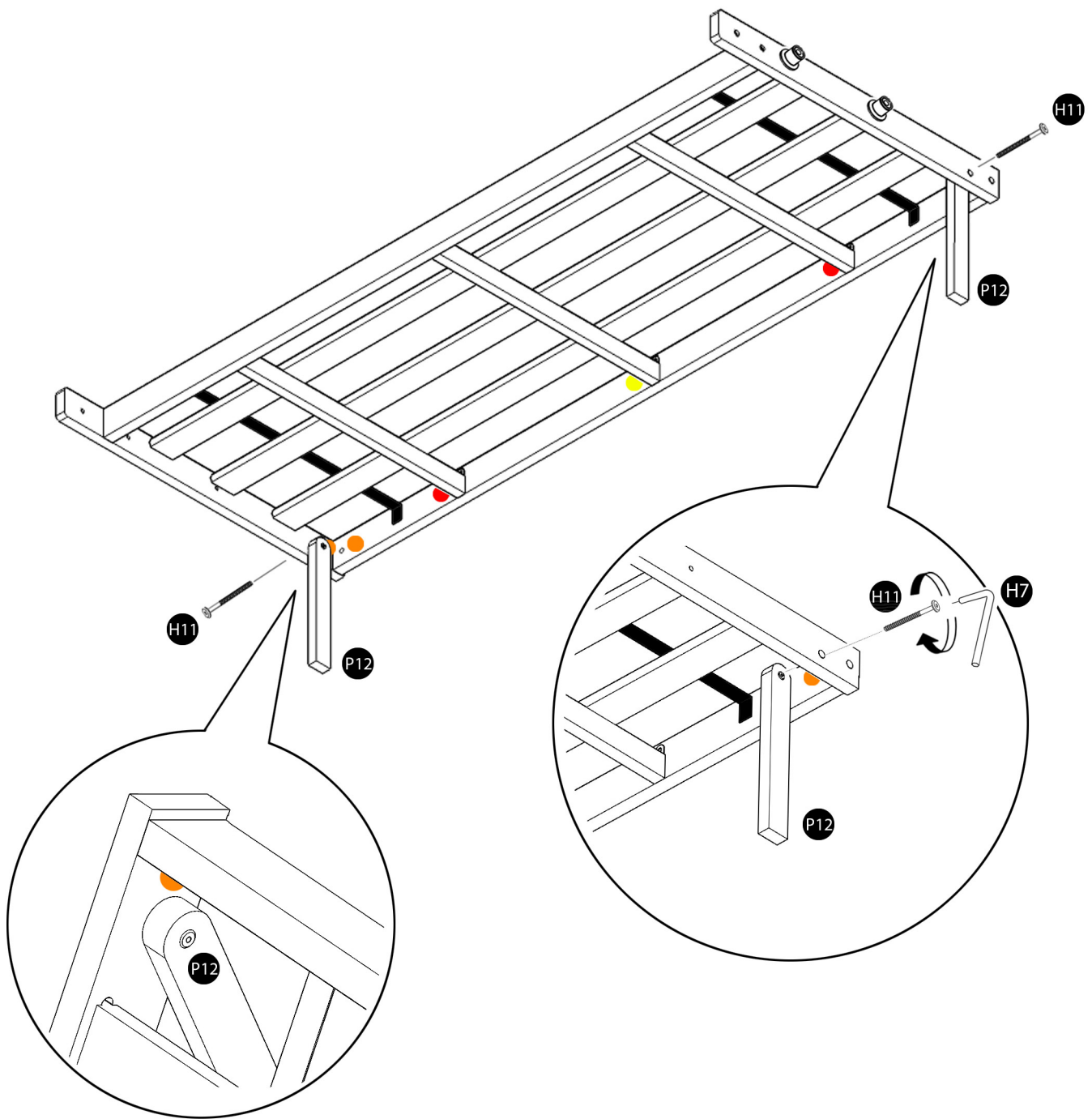


All bolts can be tightened at this point.

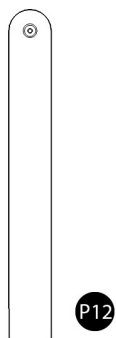


# Queen Size Frames

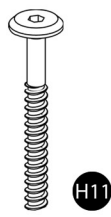
If your frame is queen size, you will need to attach part P12(2)



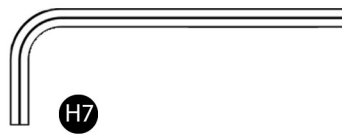
These parts are for a QUEEN SIZE FRAME ONLY



x 2



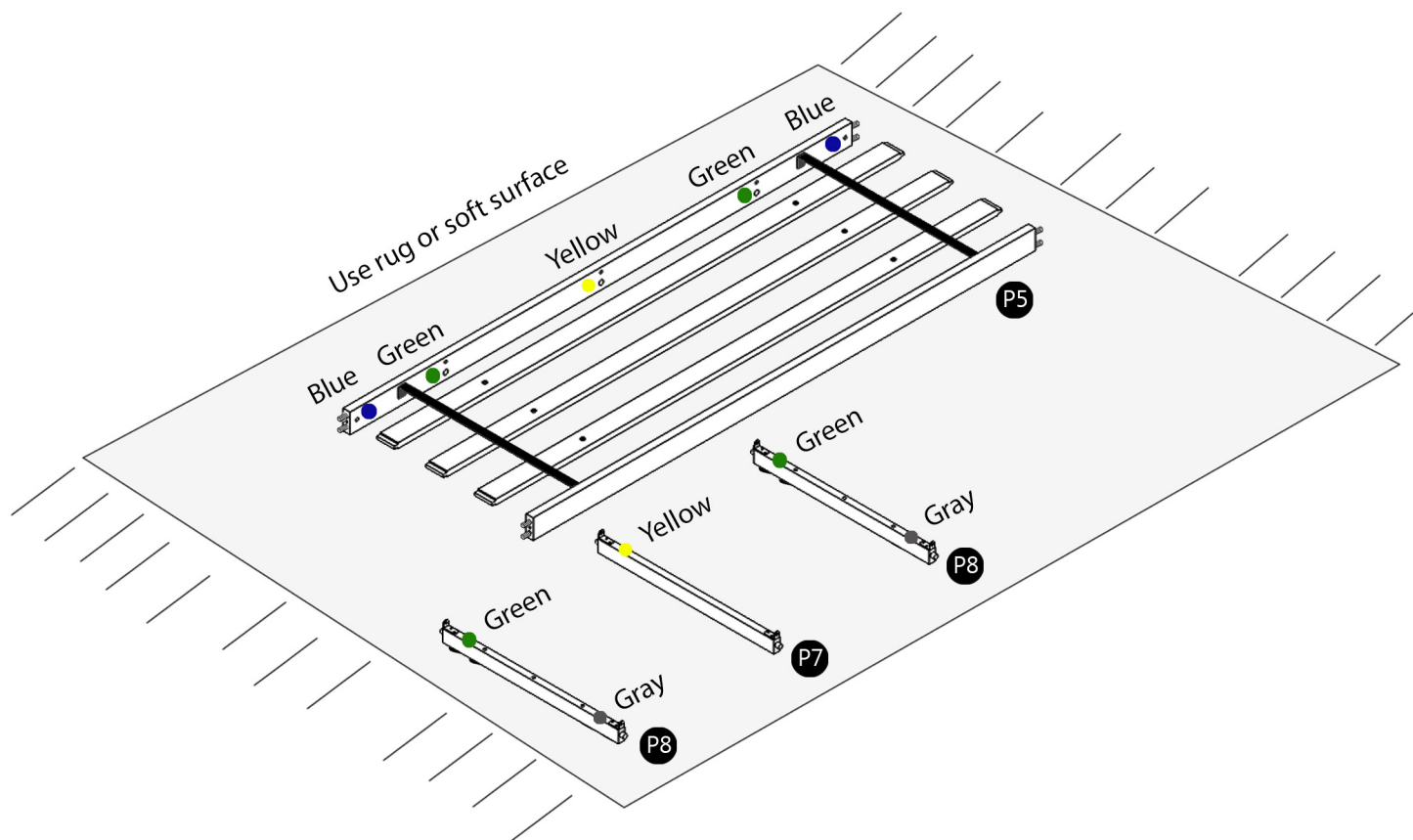
x 2



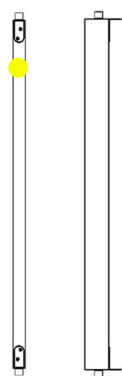
x 1

## Step 5: Locate parts P5, P8(2), & P7

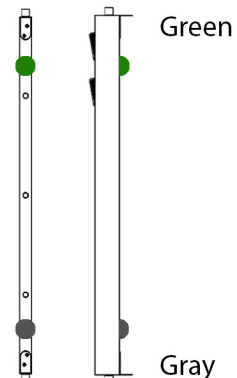
Use colored dots to align parts for connection.



Yellow

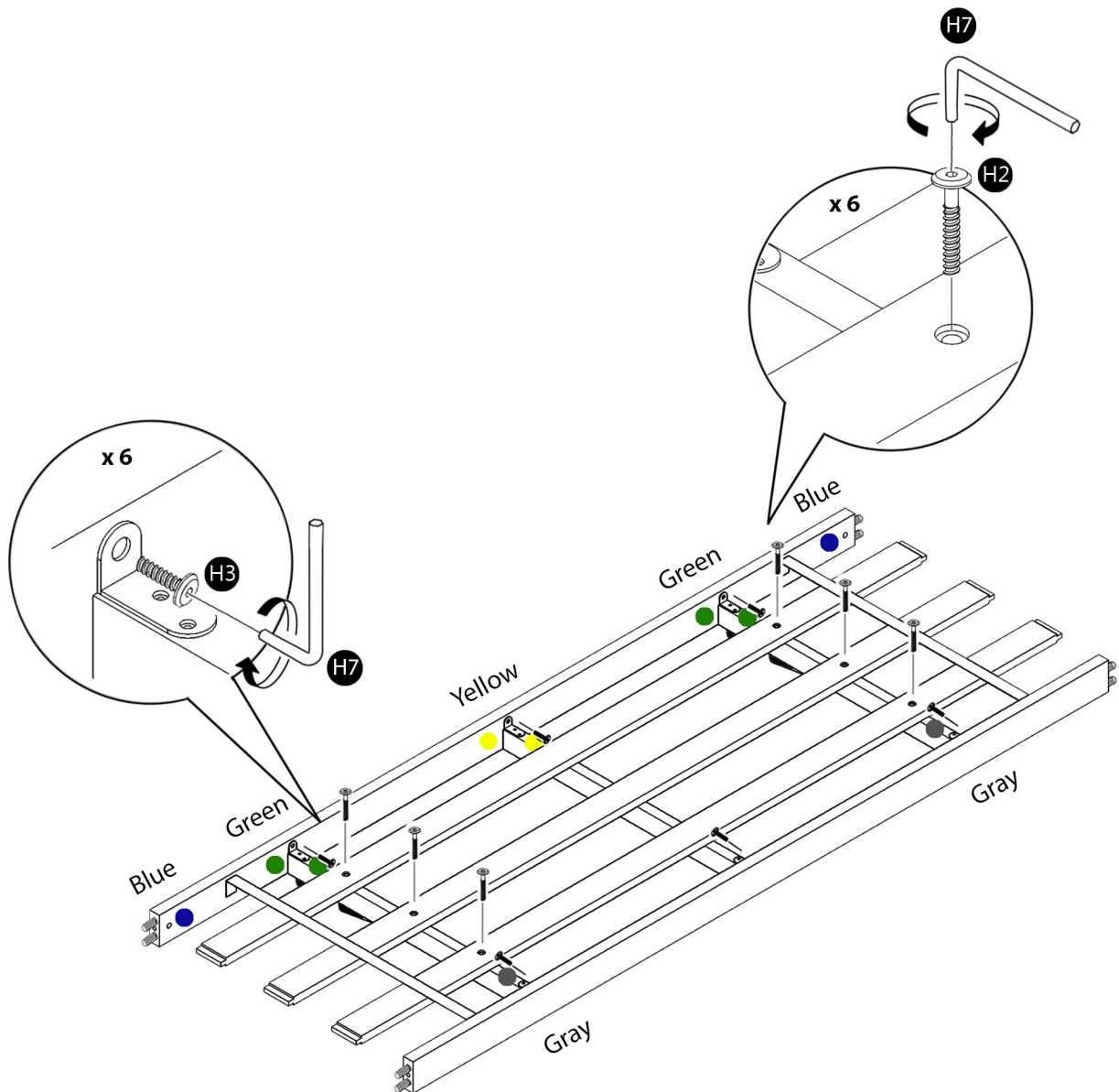


P7 & Side View  
x 1

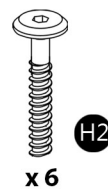


P8 & Side View  
x 2

**Step 6:** Attach P7 and P8(2) to P5 with hardware as shown

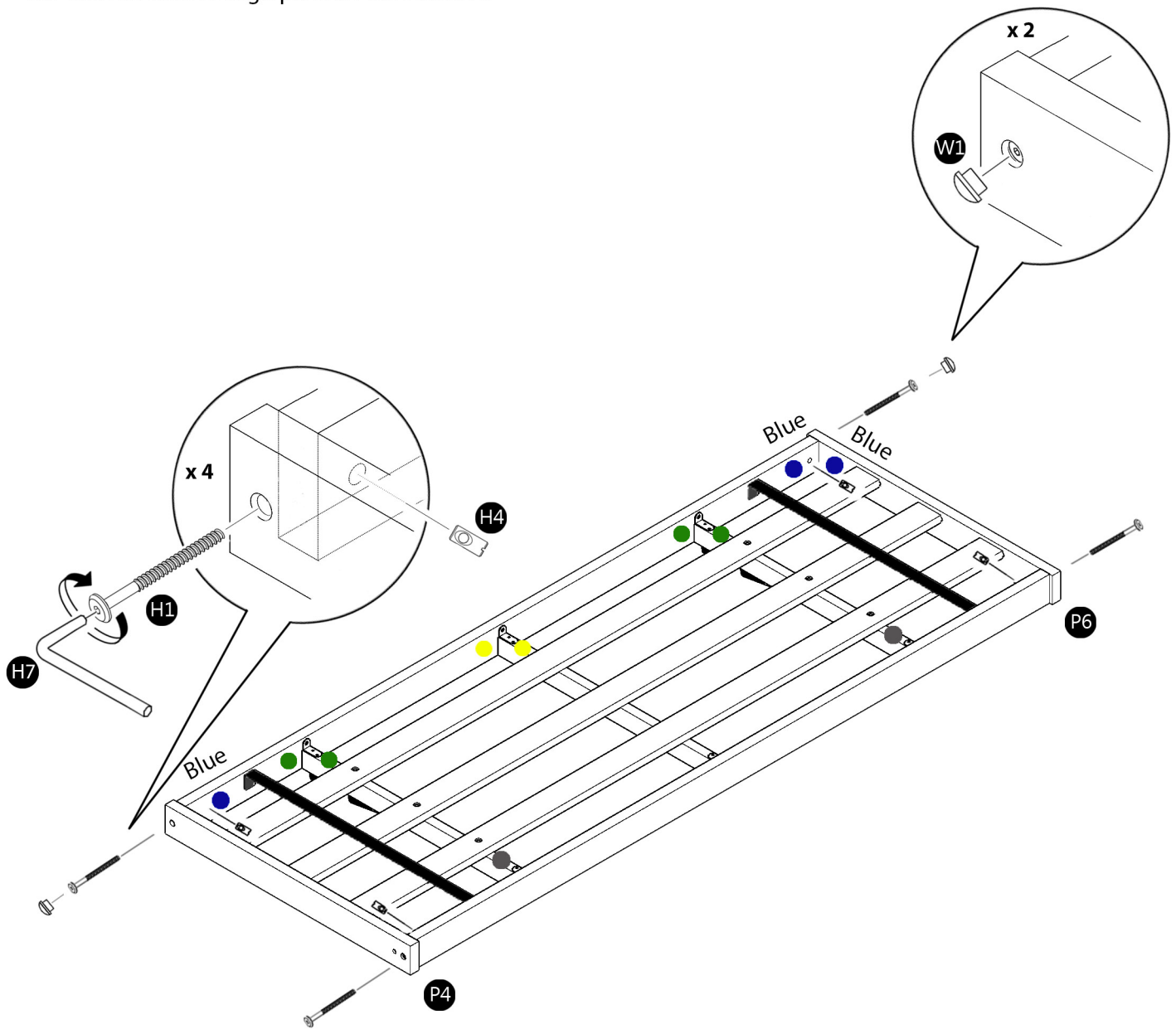


Loosely attach H2 and H3 bolts.

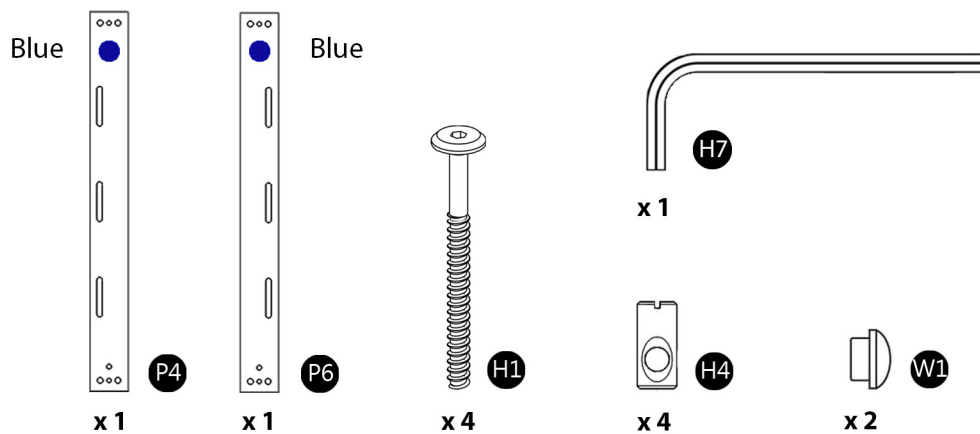


## Step 7: Attach P4 & P6 to seat deck P5

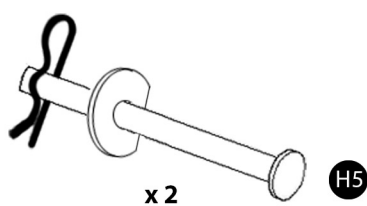
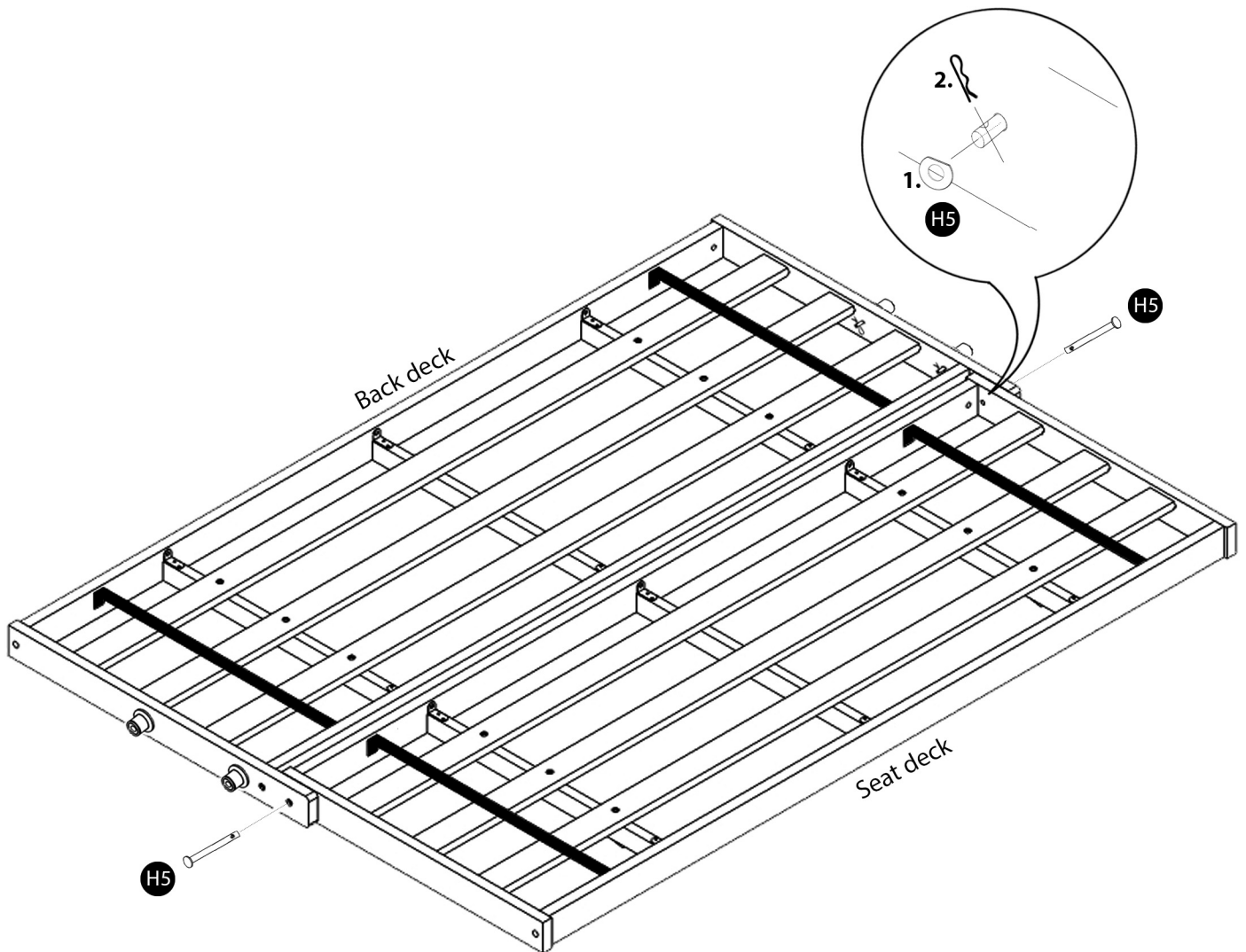
Use colored dots to align parts for connection.



All bolts can be tightened at this point.



**Step 8:** Connect the fully assembled seat and back decks using hardware H5 (x2) as shown below

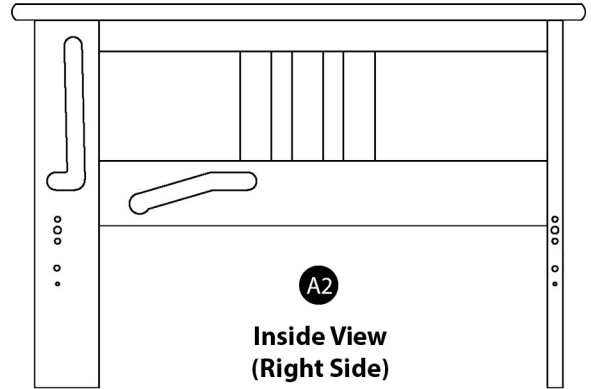
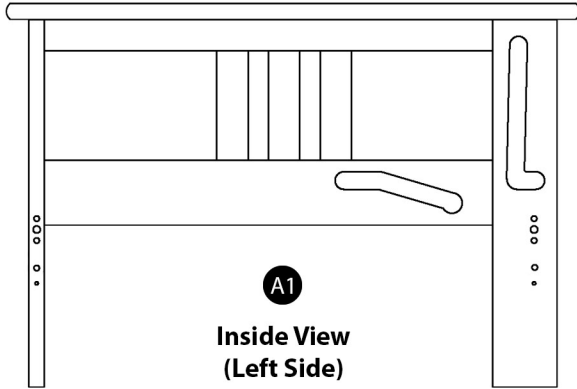


# Assembly Checklist

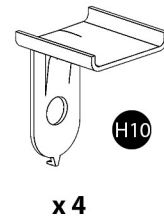
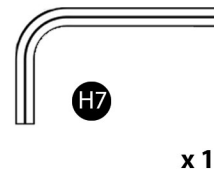
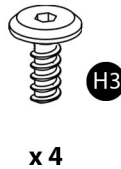
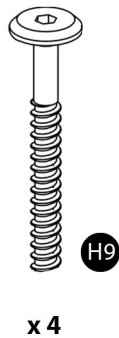
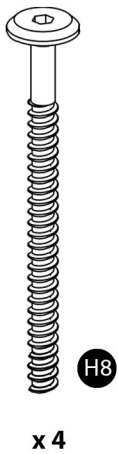
Please make sure that you have all of the below items before you start. If any are missing, please contact us for a replacement.



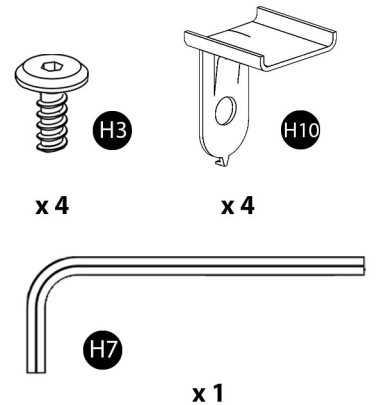
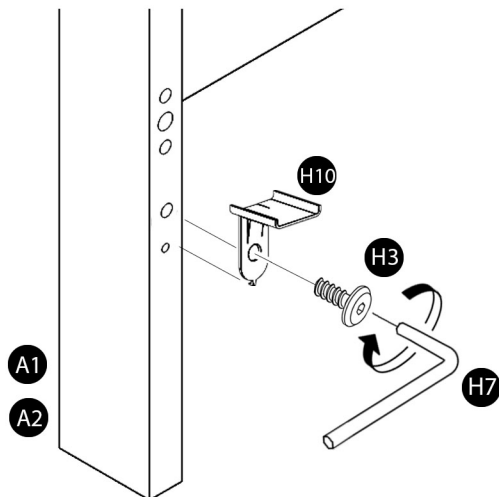
## Monterey arms



## Hardware supplied for arm assembly

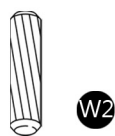
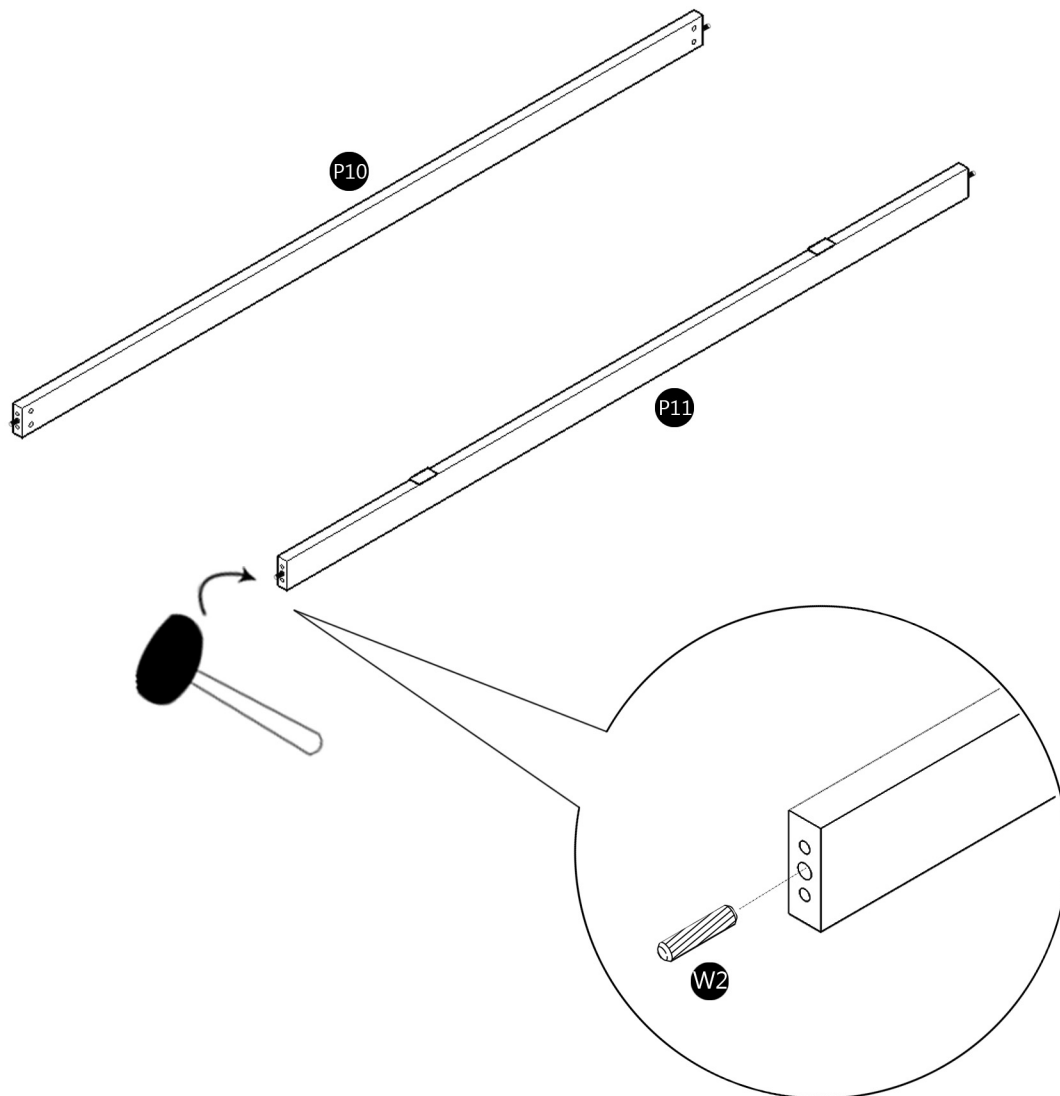


## Step 9: Locate 4 legs, parts A1 & A2



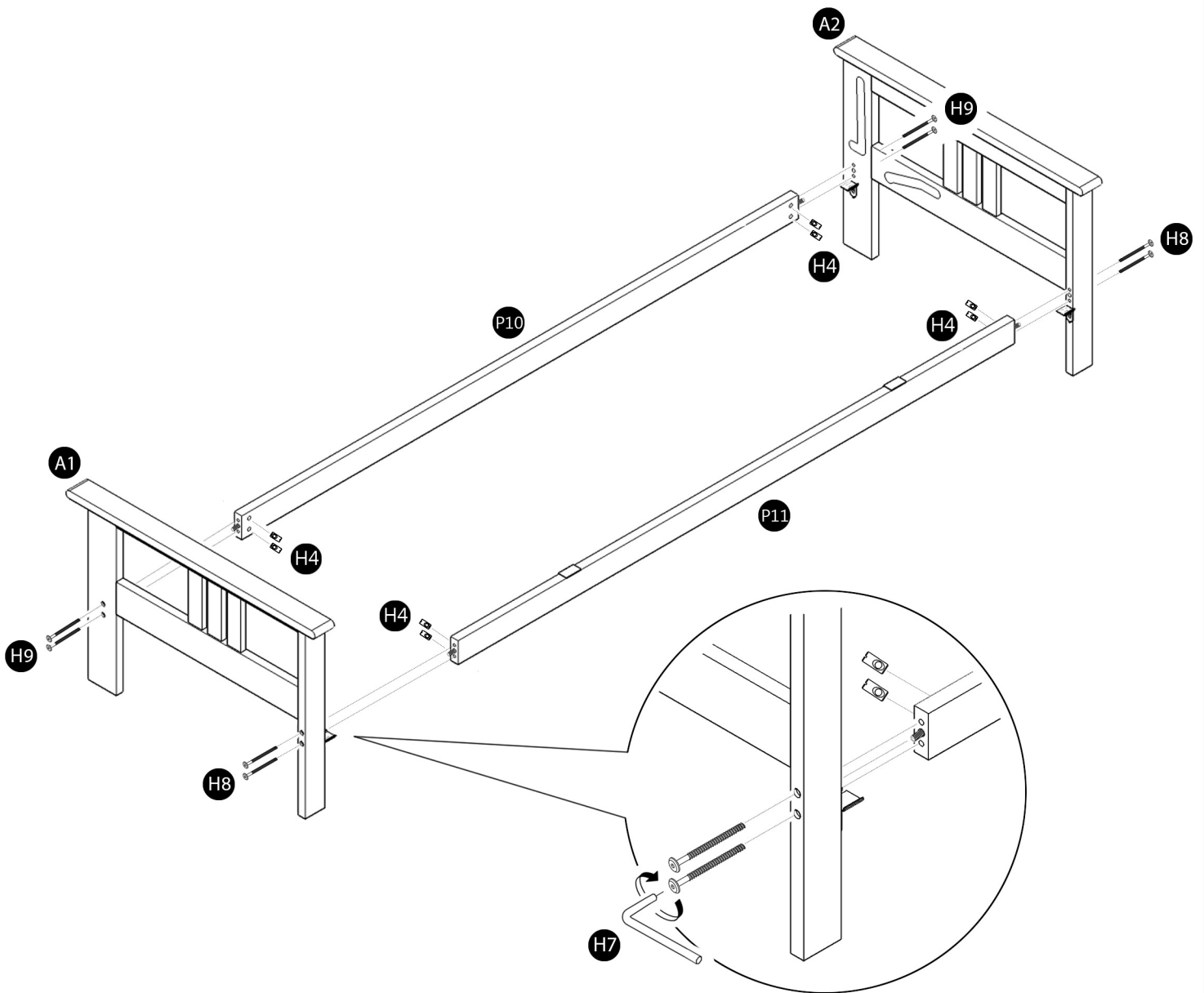
Do not tighten the bolts before finishing all steps.

**Step 10:** Insert wood dowels (W2) into stretchers (P10) and (P11) as shown

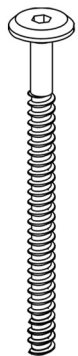


x 4

# Step 11: Attach P10 & P11 to A1 & A2 with hardware as shown

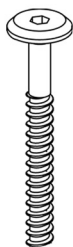


The bolts need to be very loosely attached at this point. Your arm may vary.



H8

x 4



H9

x 4



H4

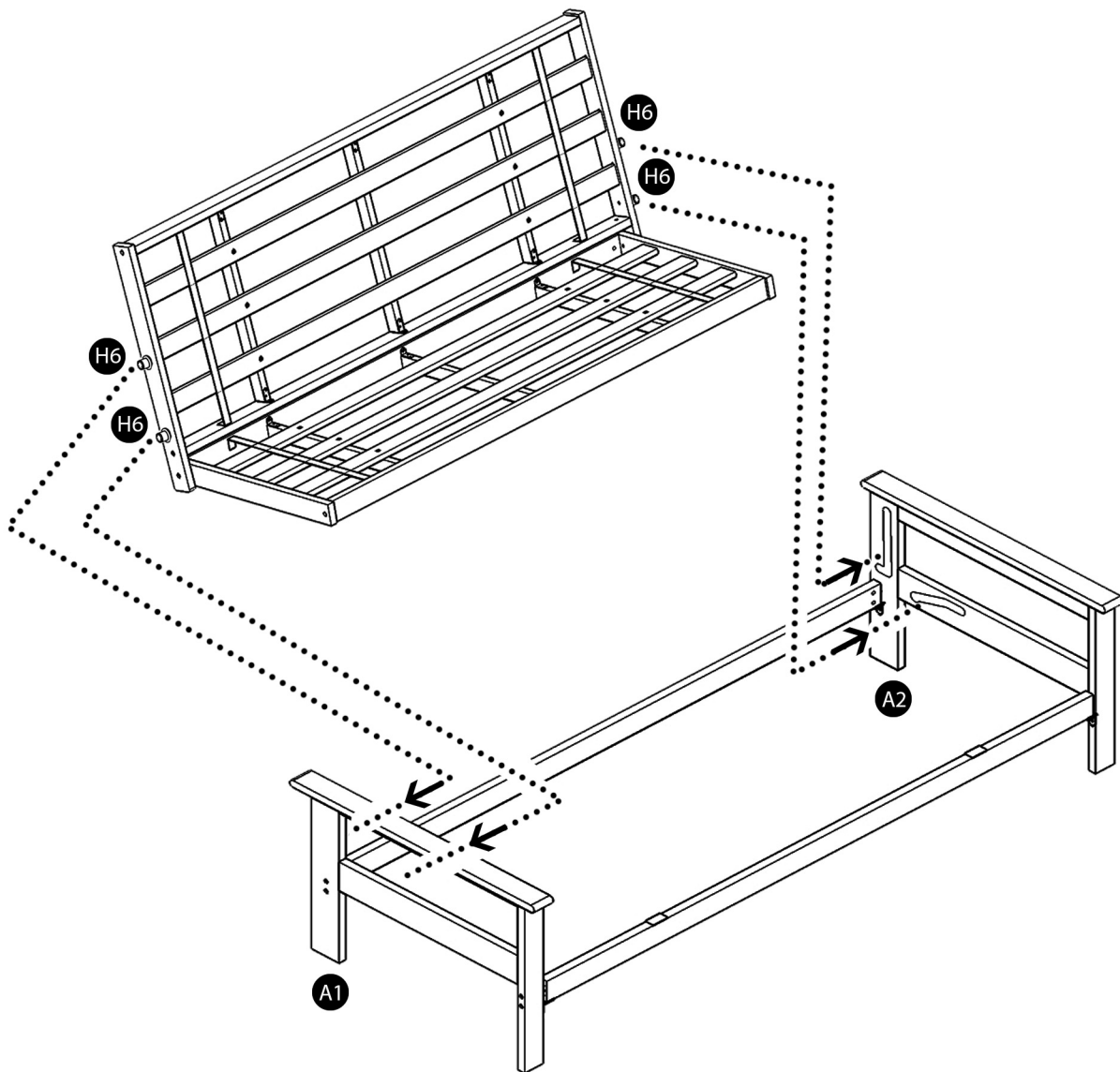
x 8



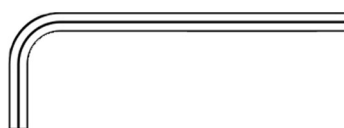
H7

x 1

**Step 12:** Align H6(4) into grooved out slots on A1 & A2.



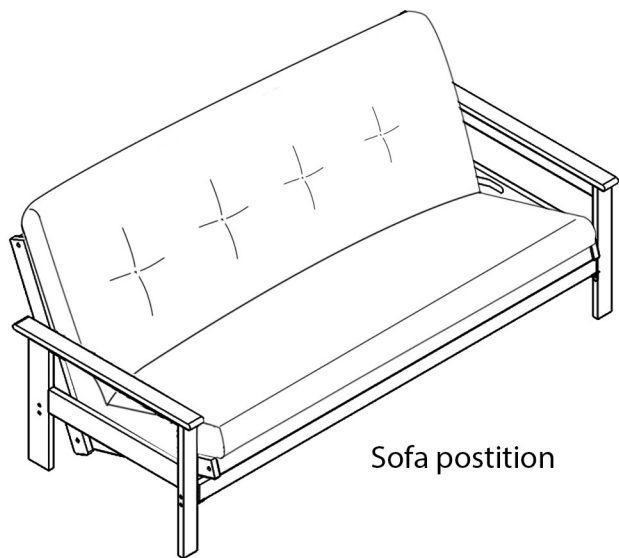
The bolts need to be very loosely attached at this point. Tighten all bolts after everything is in place.



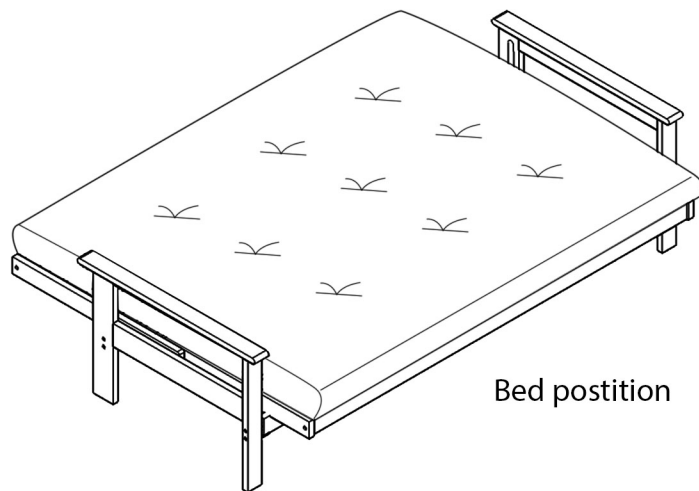
H7  
x 1

# Assembled views

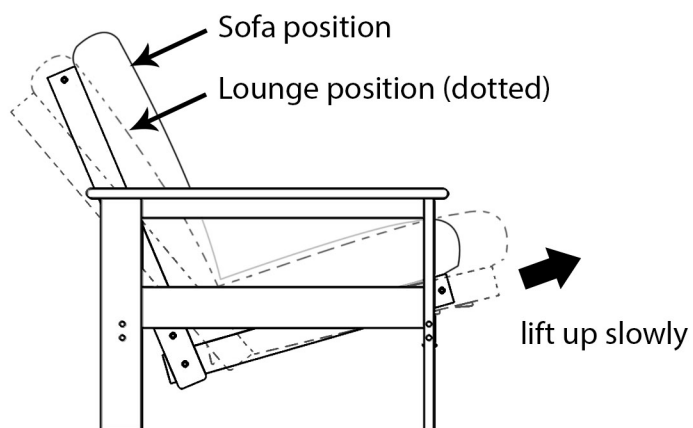
Your arm may vary.



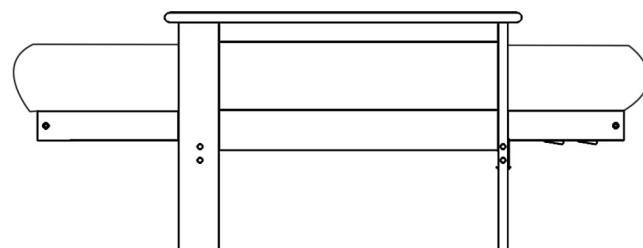
Sofa position



Bed position



Sofa position to Lounge position.



Bed position