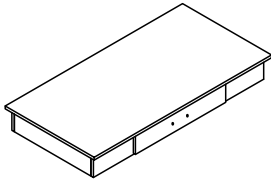


ASSEMBLY INSTRUCTION

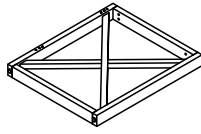
LIFT TOP DESK WITH 1 USB & WIRELESS CHARGER

A Table Top



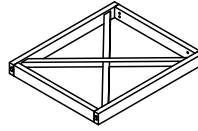
1pc

B Left Frame Leg



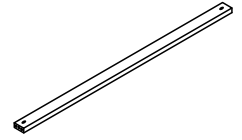
1pc

C Right Frame Leg



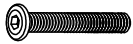
1pc

D Stretcher



2pcs

E Bolt
M6x35mm



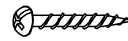
8pcs

F Wood Dowel
M8x32mm



12pcs

G Screw
M4x38mm



4pcs

H Allen Key
M4

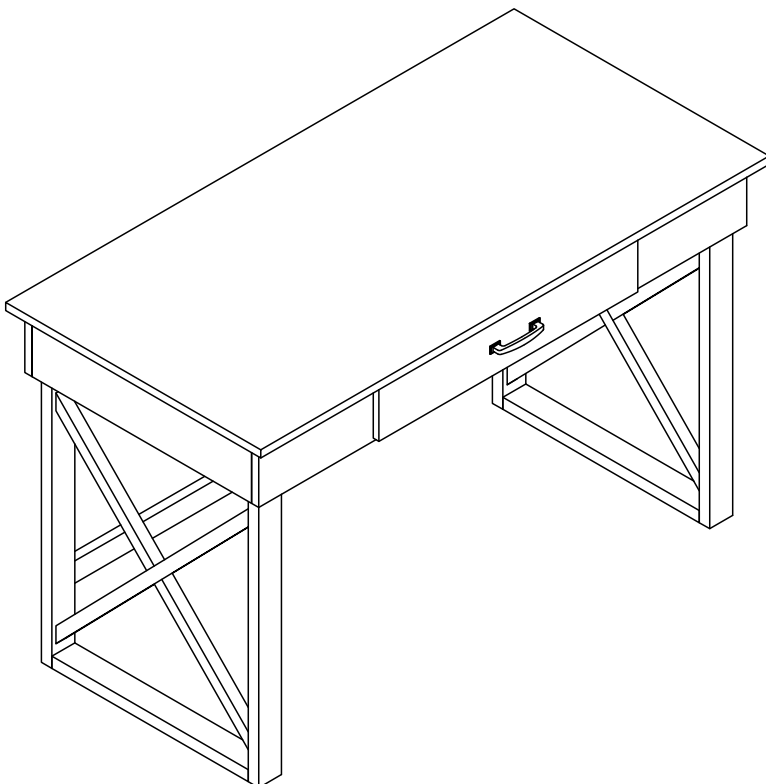


1pc

I Glue

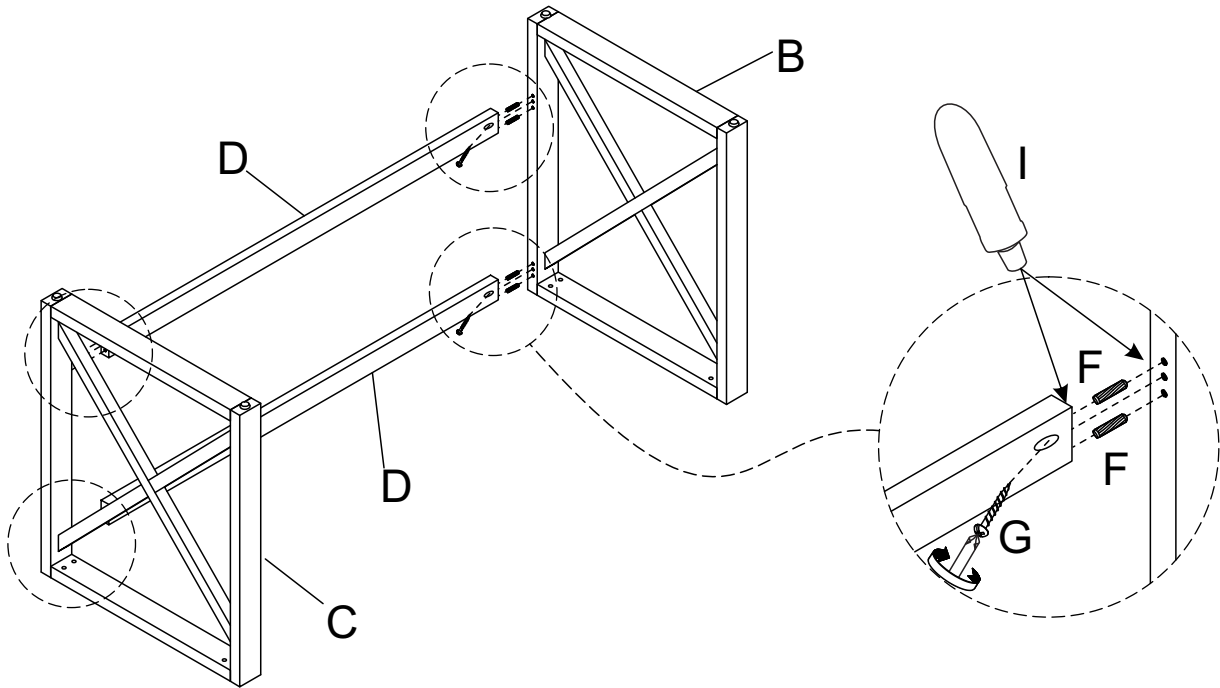


1pc

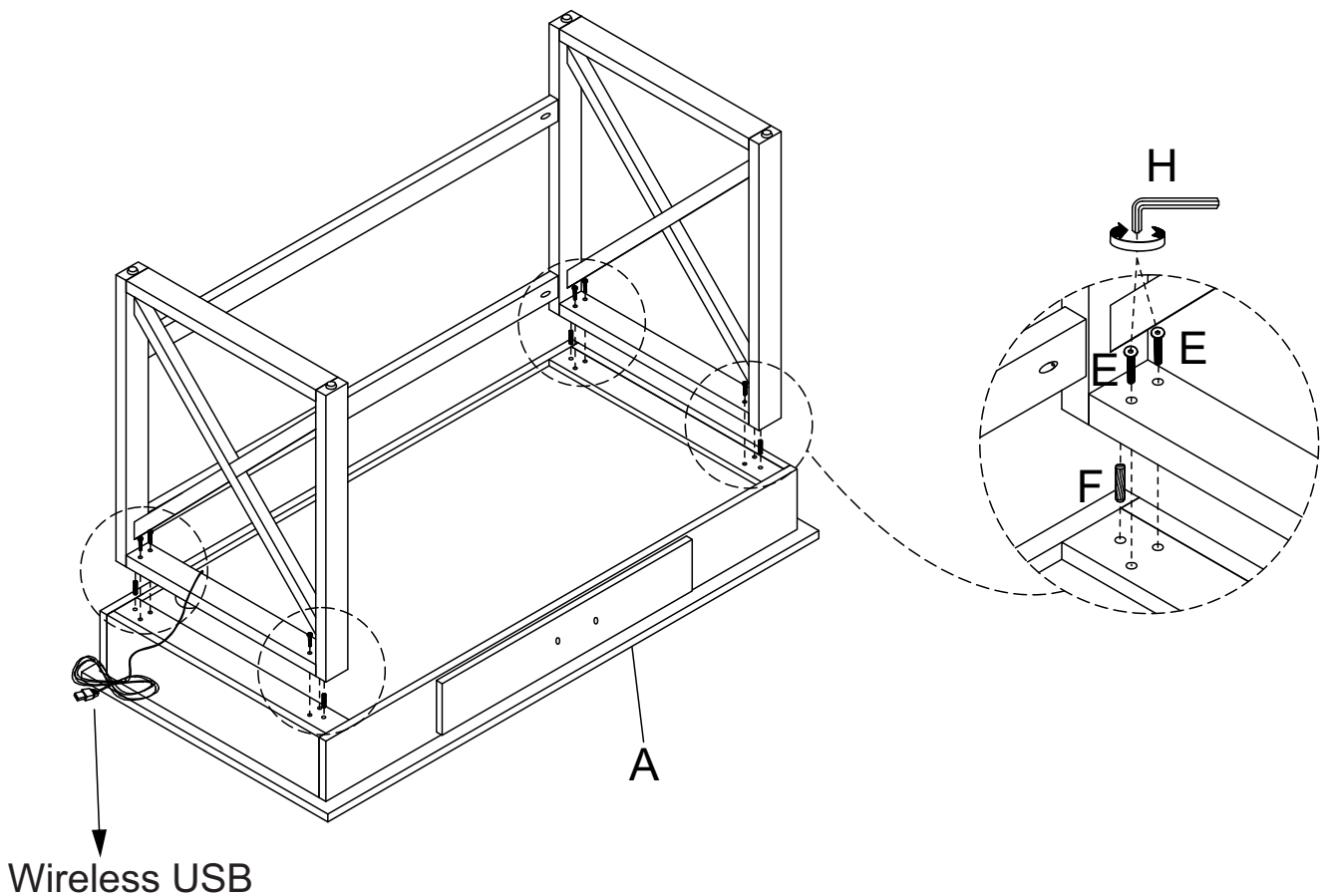


This page lists all the contents included in the box. Please take the time to identify the hardware as well as the individual components to this product. As you unpack and prepare for assembly, place the contents on a carpeted or padded area to protect them from damage.

- 1** Put Wood Dowel (F) in Stretcher (D) and apply Glue (I), assemble it with Left Frame Leg (B) and Right Frame Leg (C). Use Screw (G) to assemble.

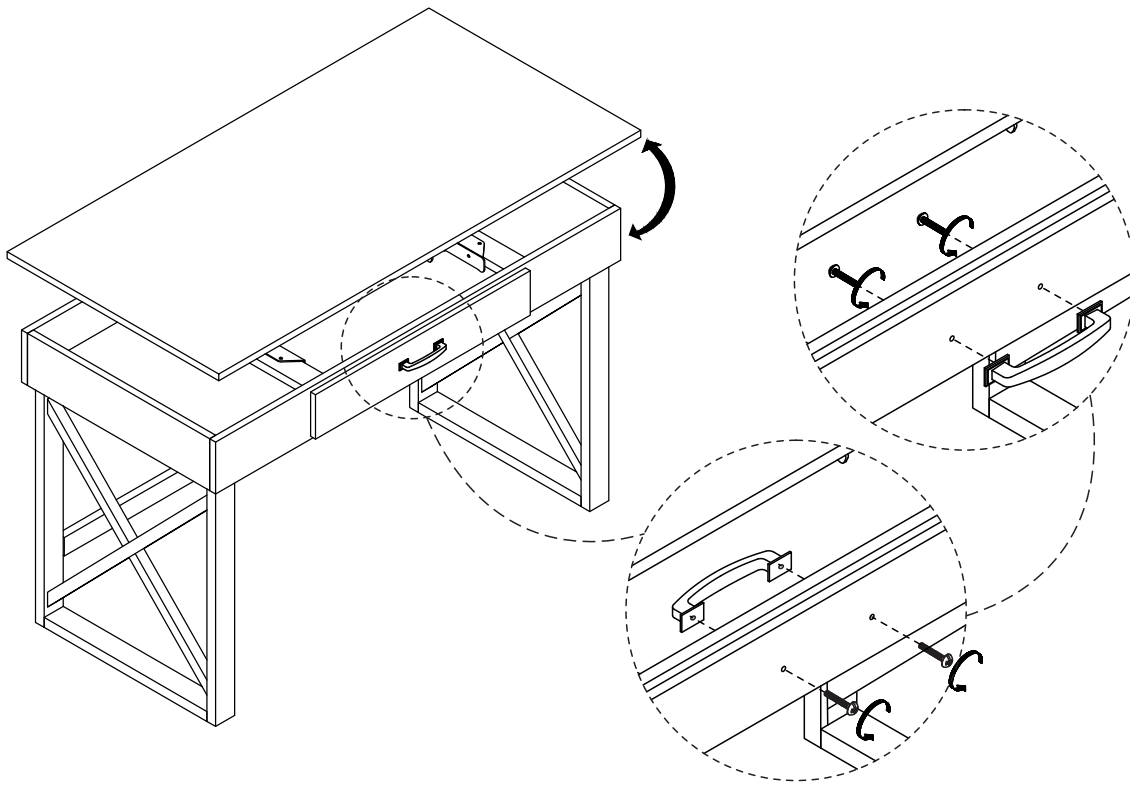


- 2** Put Wood Dowel (F) on Table Top (A) and assemble the Leg Frame on it. Then use Bolt (E) to assemble it. Use Allen Key (H) to tighten.



3

Take out the Handle and assemble it outside.



Cleaning & Care

Treat surface with care. Surface is resistant to scratches but is not scratch resistant. Clean surface with a dry or damp soft cloth. Do not use abrasive cleaners. Hardware may loosen over time. Periodically check that all connections are tight.