



# Mayhew Sling Dining Swivel Rocker Assembly Guide



## Tools Required



Cordless Drill



#2 Square Drive Bit (Included)



Allen Wrench (Included)



Wrench

## Hardware Included



2 - 3" Buglehead Screws



8 - 4" Buglehead Screws



6 - 5/16" X 1 1/4" Allen Head Bolts



6 - 5/16" X 1 3/4" Allen Head Bolts



6 - 5/16" Flange Nuts



6 - 5/16" Lock Washers



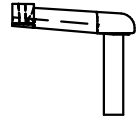
6 - 5/16" Square Nuts



3 - Fiberglass Springs



3 - Aluminum Plates



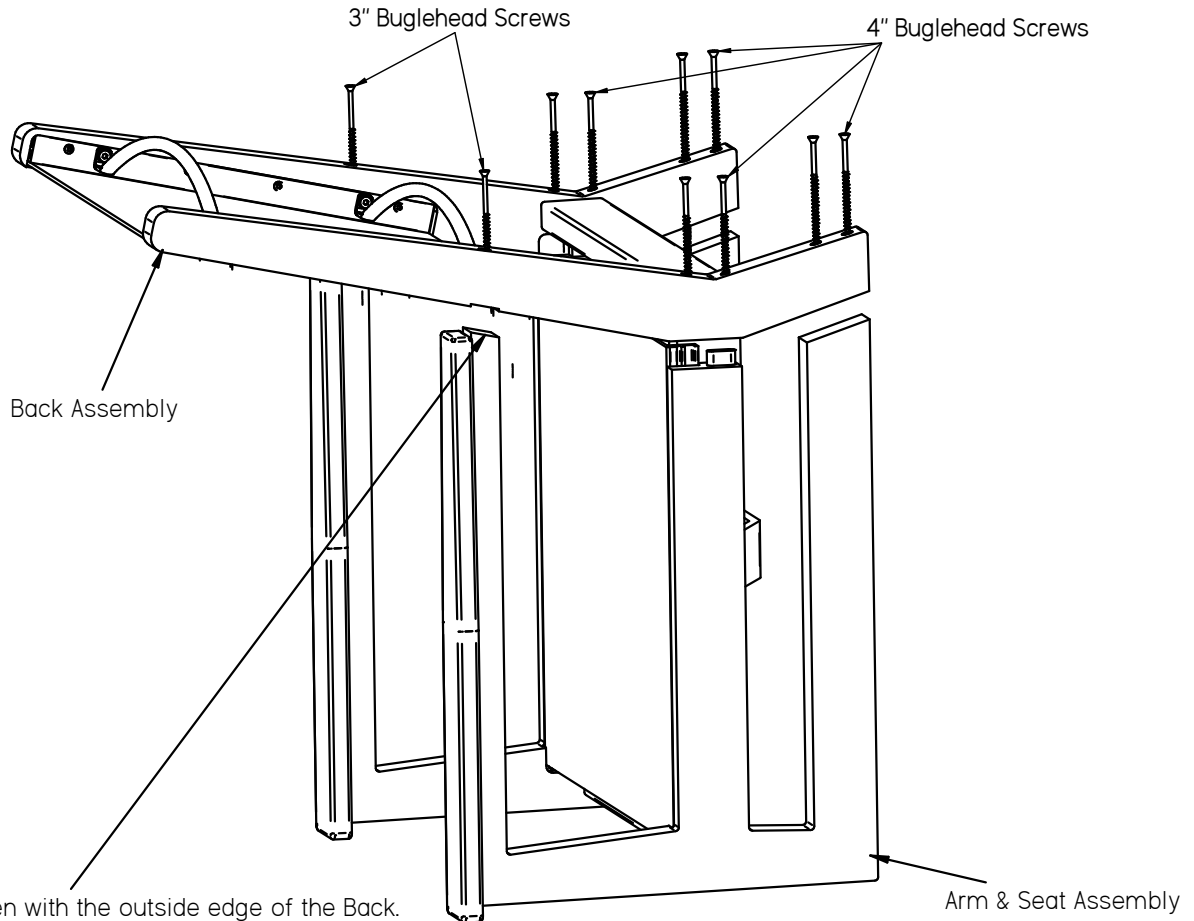
1 - Swivel Mechanism

## Step 1

Set the Arm and Seat Assembly forward onto the front of the Arms and set the Back Assembly on top. Be sure to do this on top of a soft surface to avoid damaging the arms. Fasten the Back to the Seat using eight - 4" Buglehead Screws. Keeping the Arms Supports even with the outside edges of the Back, fasten them using two - 3" Buglehead Screws.

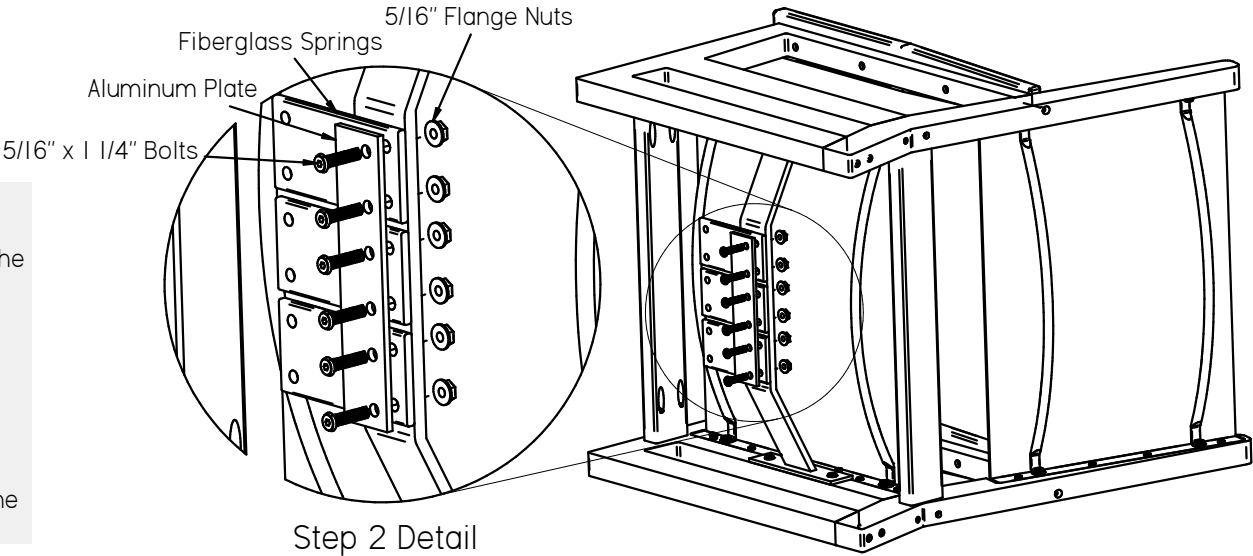


When tightening screws or lags, **DO NOT OVERTIGHTEN** to avoid stripping their hold on the material!



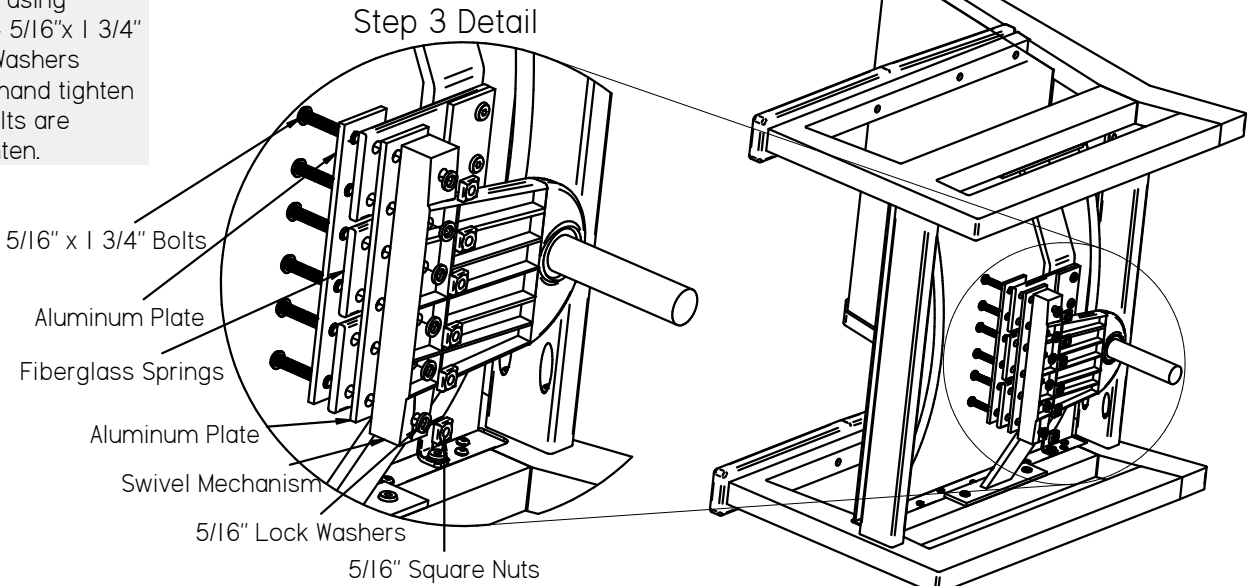
## Step 2

Using 6 - 5/16" x 1 1/4" Allenhead Bolts and 5/16" Flangenuts, fasten the 3-Fiberglass Springs and 1 - Aluminum Plate to the seat bracket. The Springs should point towards the front of the chair. Only hand tighten the nuts until all six bolts are installed, then align the springs and fully tighten.



## Step 3

Fasten the Swivel Mechanism to the Figerglass Springs, using 2-Aluminum Plates, 6 - 5/16" x 1 3/4" Allenhead Bolts, Lock Washers and Square Nuts. Only hand tighten the nuts until all six bolts are installed then fully tighten.



## Step 4

Lift the top of the chair and set the swivel stem into the receiver of the base. Push firmly onto the chair until it sits securely in the receiver.

