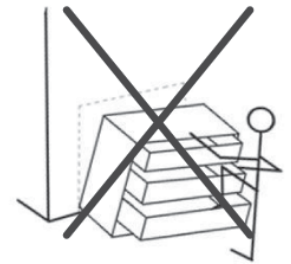
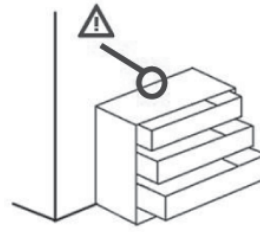
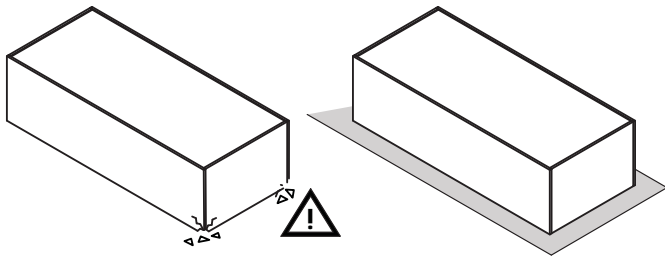
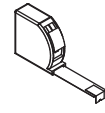
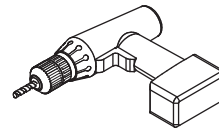
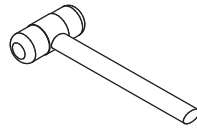
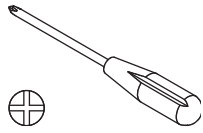
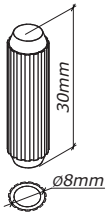


1,5h



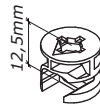
G128
x6



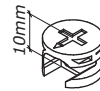
H1
x8



T28
x14



T7
x4



T98
x6



T99
x4



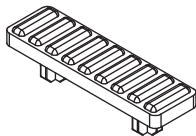
V38
x6



H2
x12



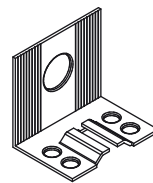
V5
x30



P6
x4



H15
x10



H16
x1



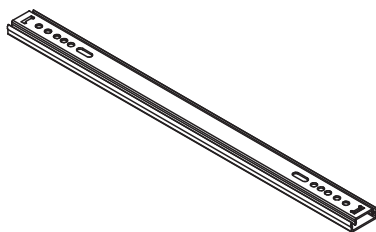
V10
x2



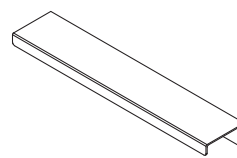
H113
x6



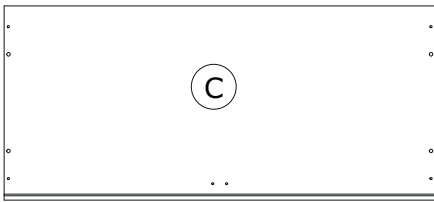
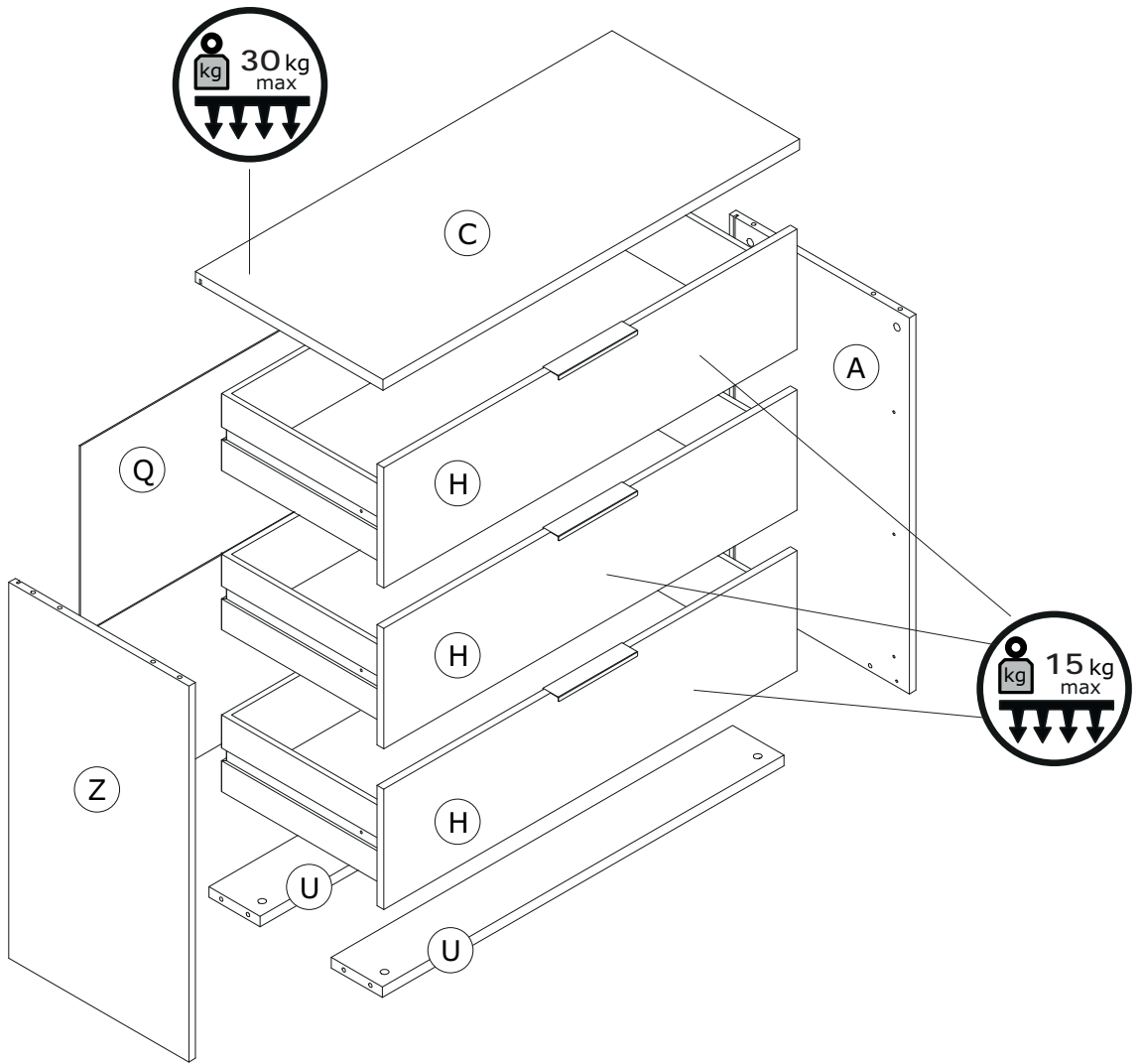
H54
x18



A34
x6



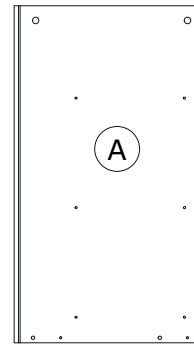
M147
x3



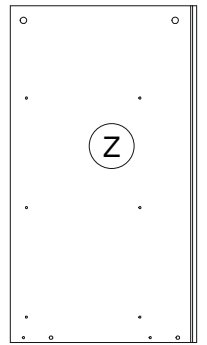
1000x450x22mm



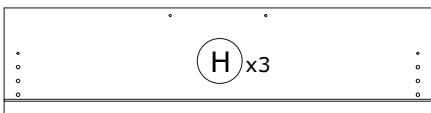
964x123x22mm



781x432x16mm



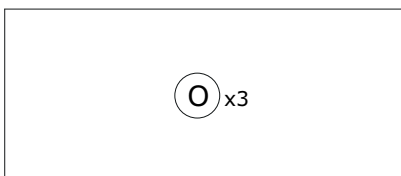
781x432x16mm



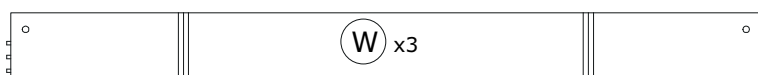
992x250x16mm



978x788x2mm

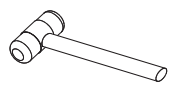
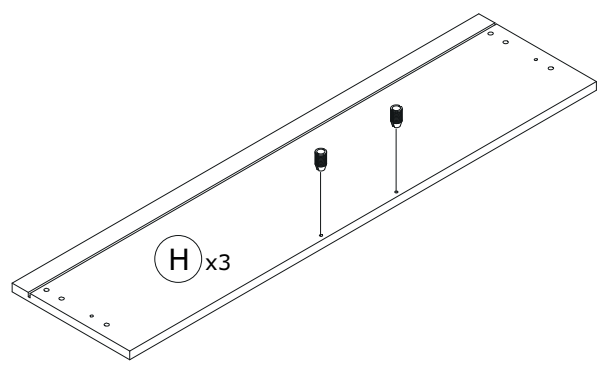
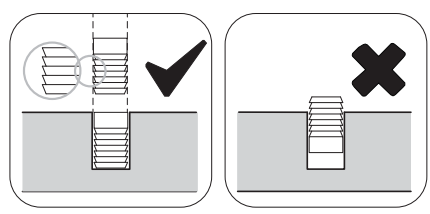
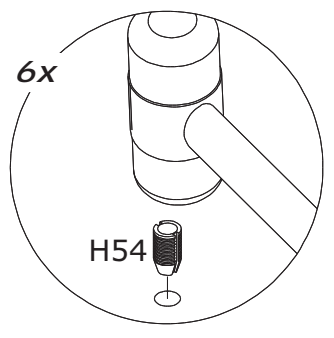


943x401x2mm

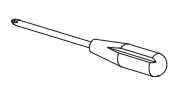
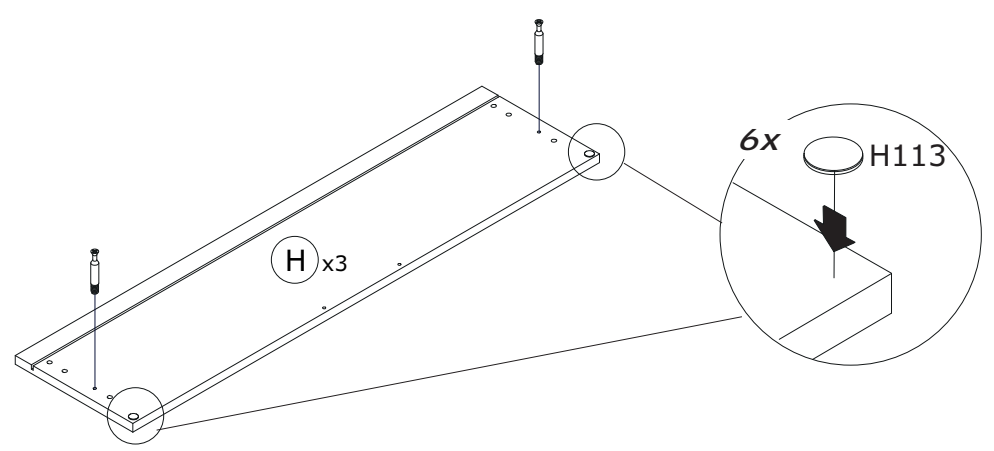
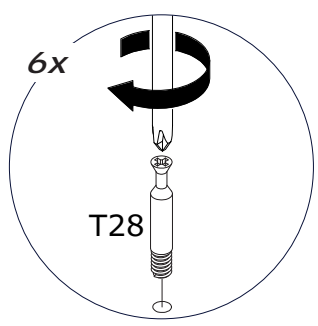


400x956x400mm H.160mm

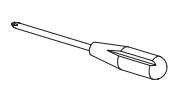
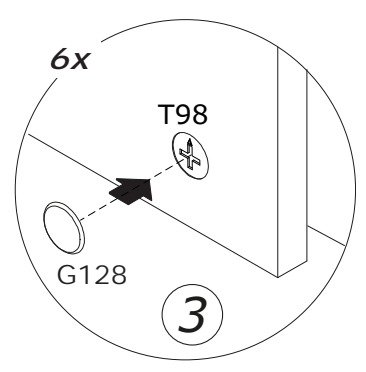
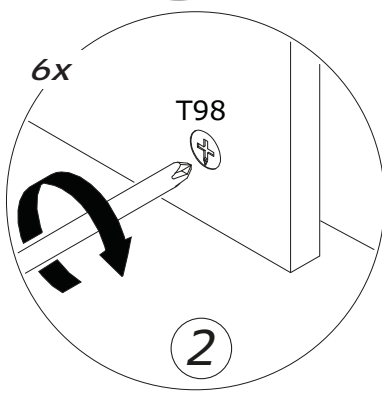
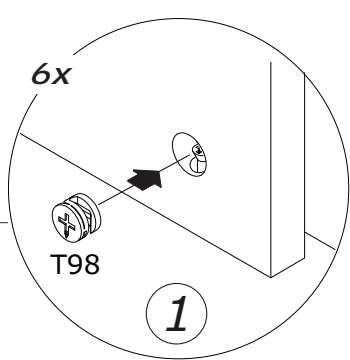
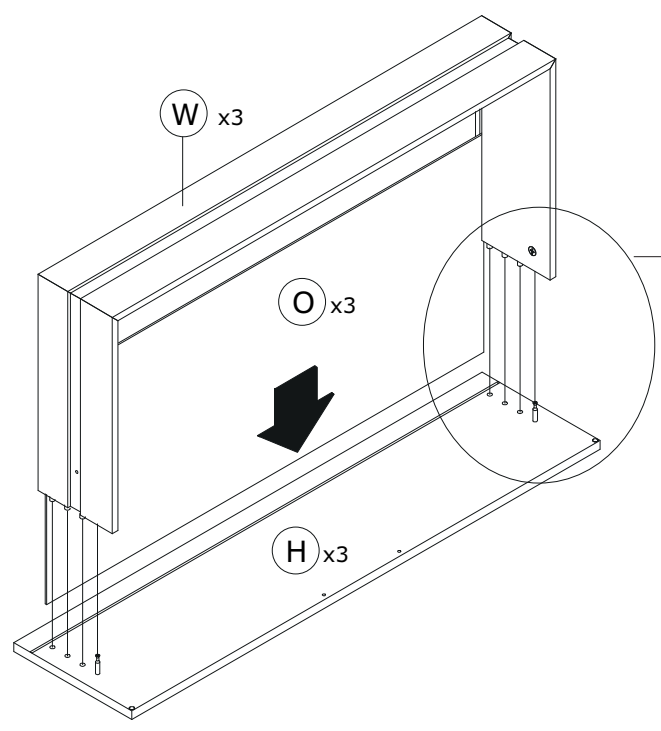
1



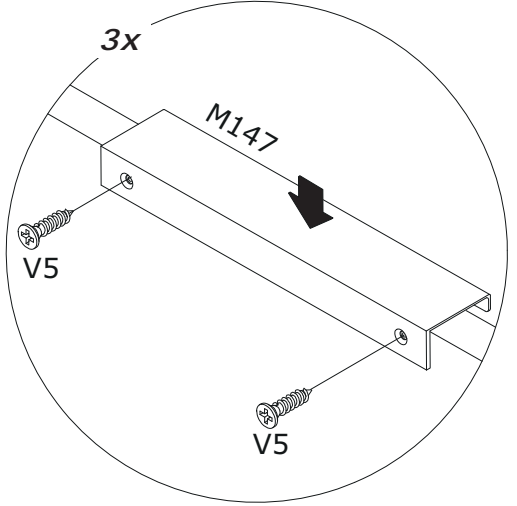
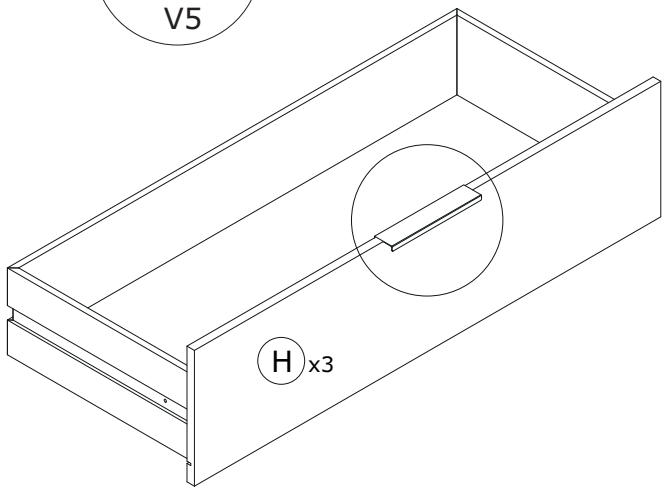
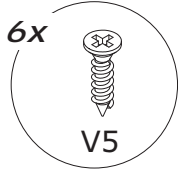
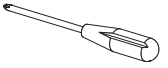
2



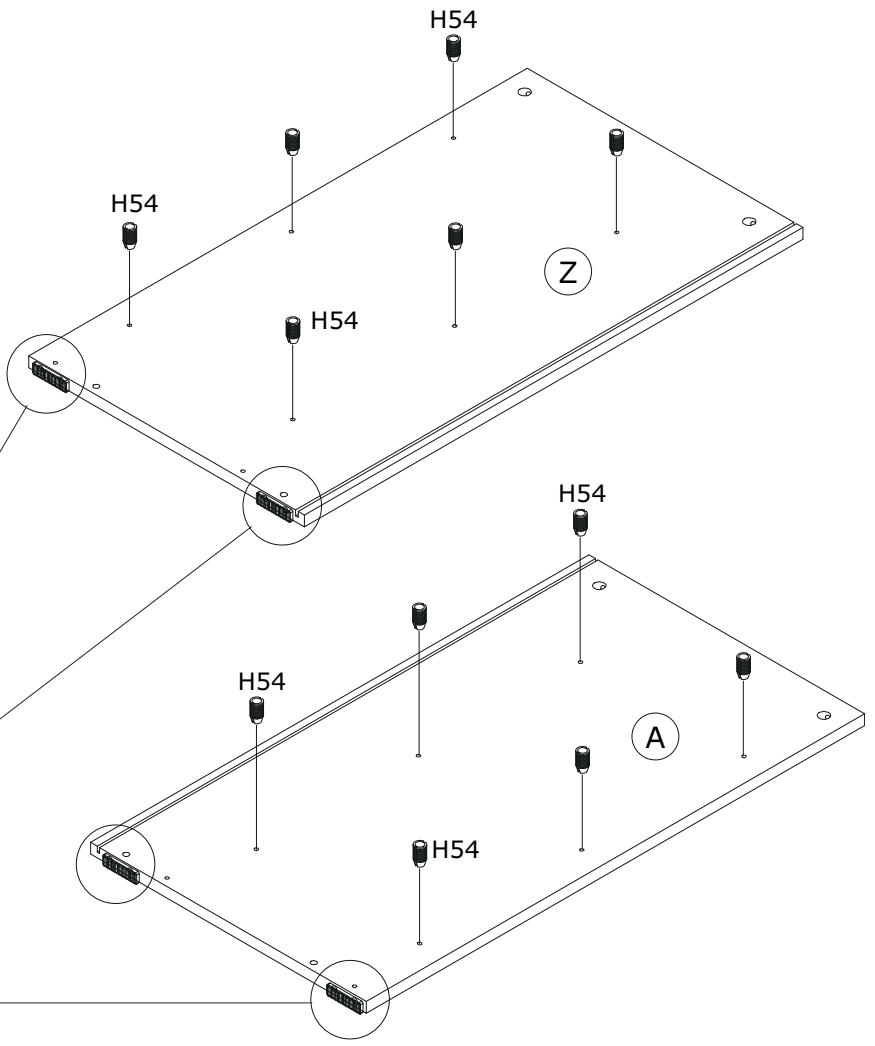
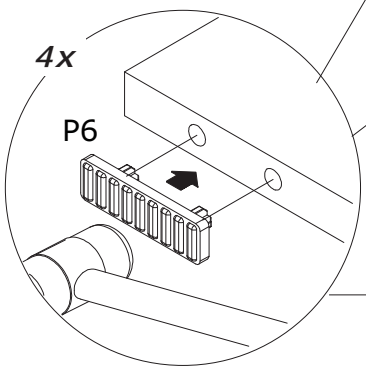
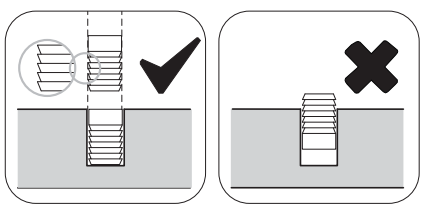
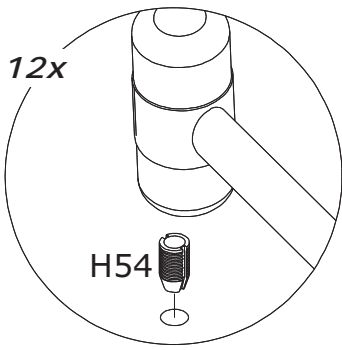
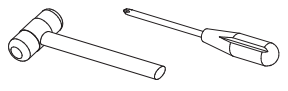
3



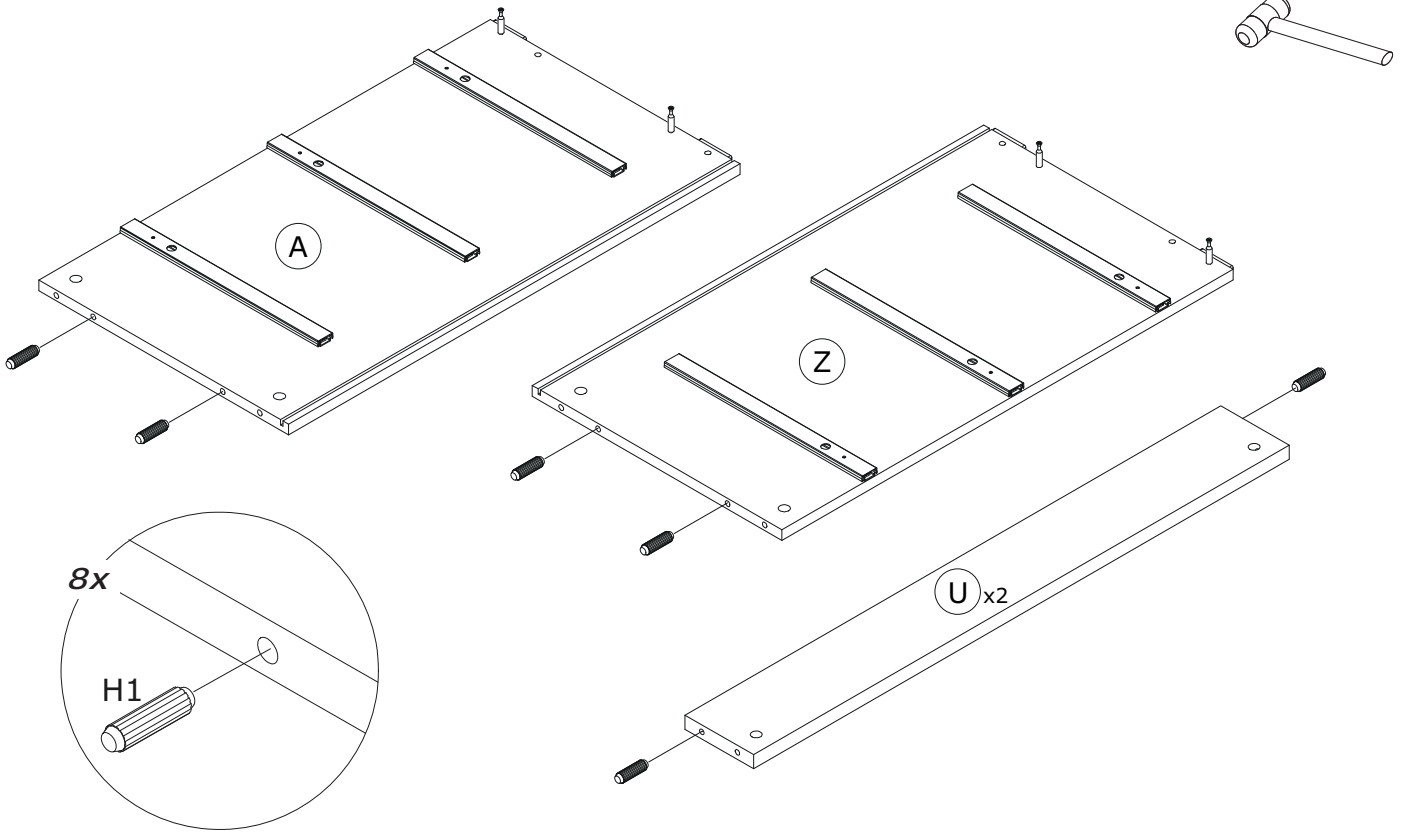
4



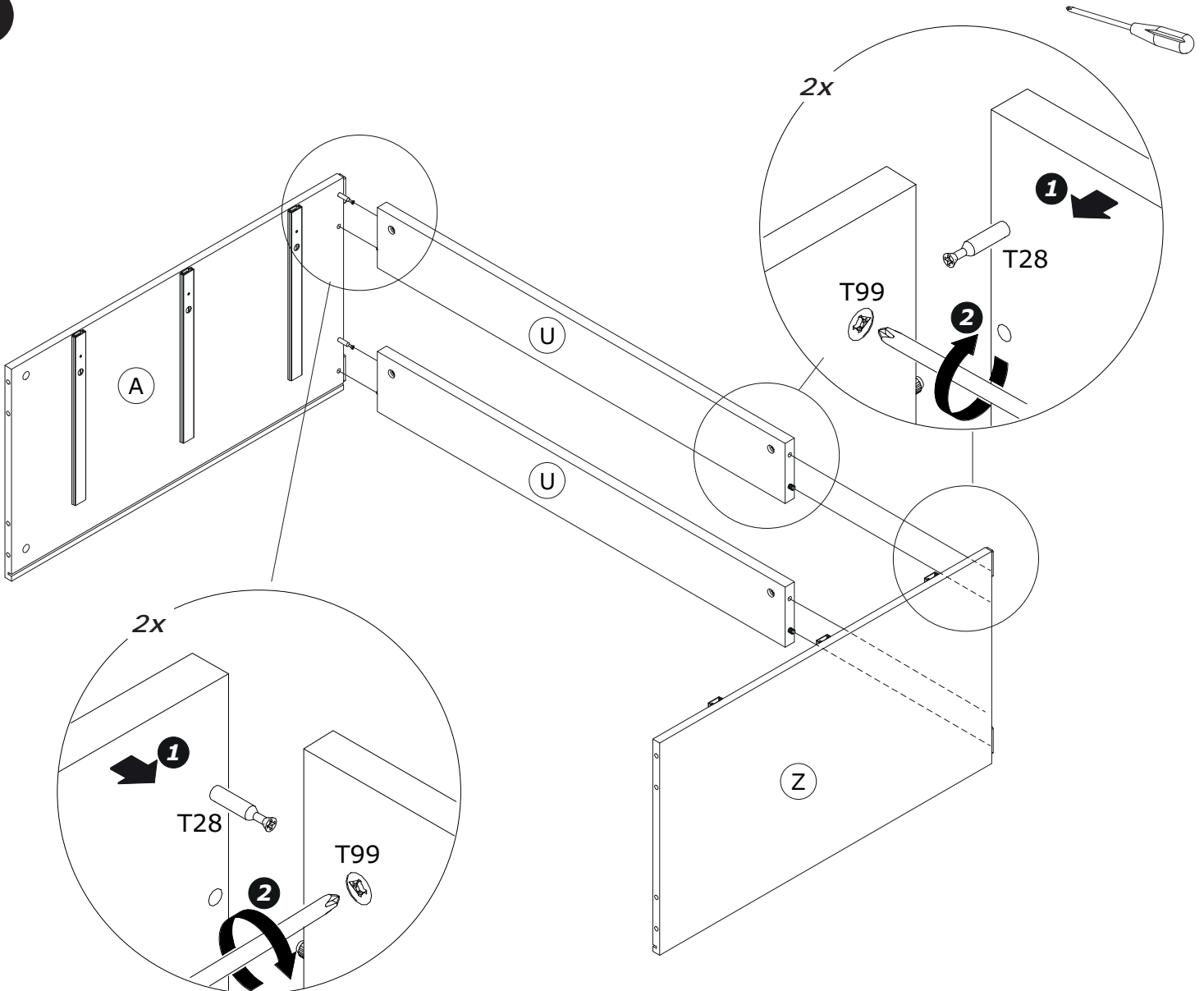
5



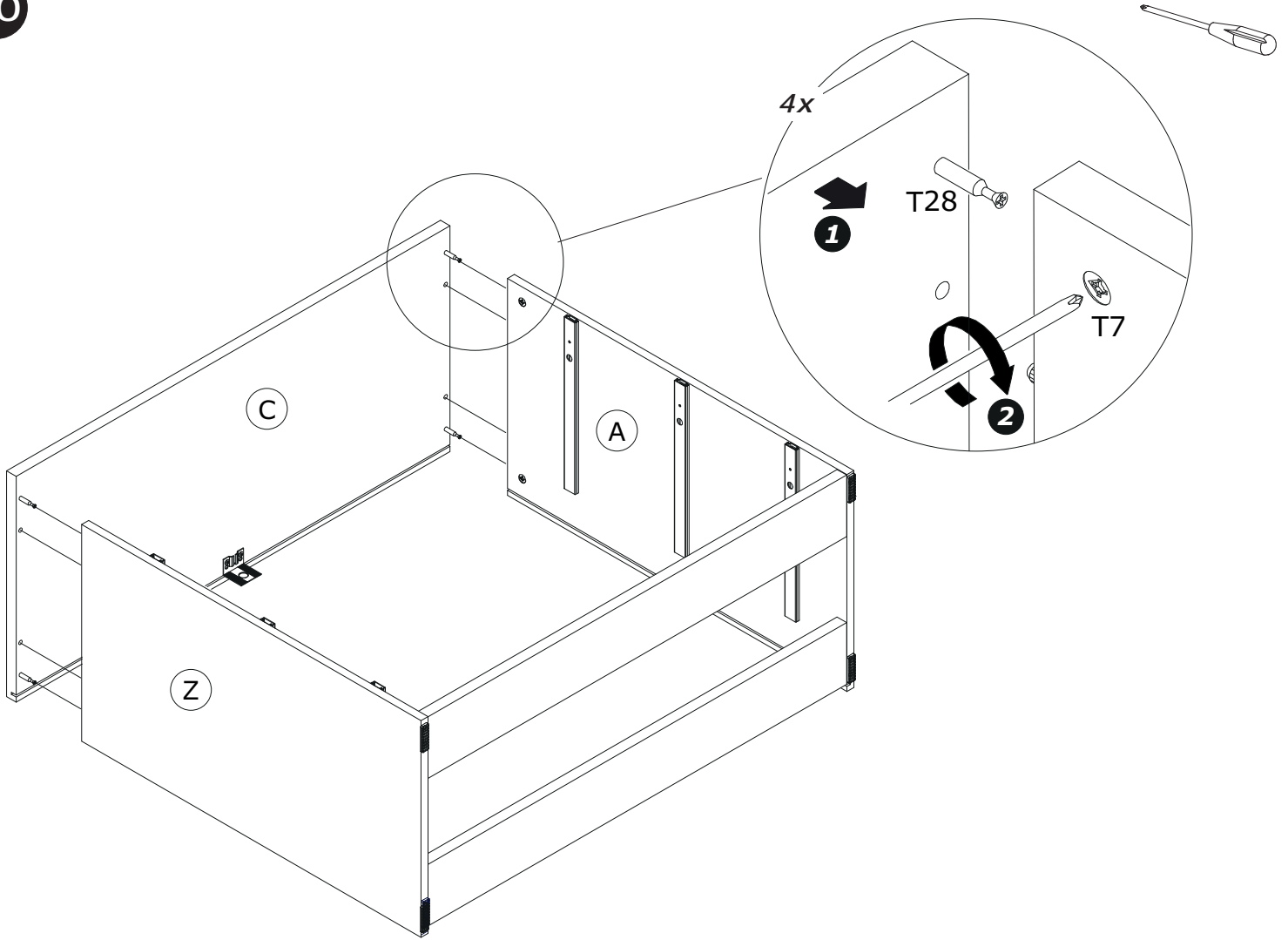
8



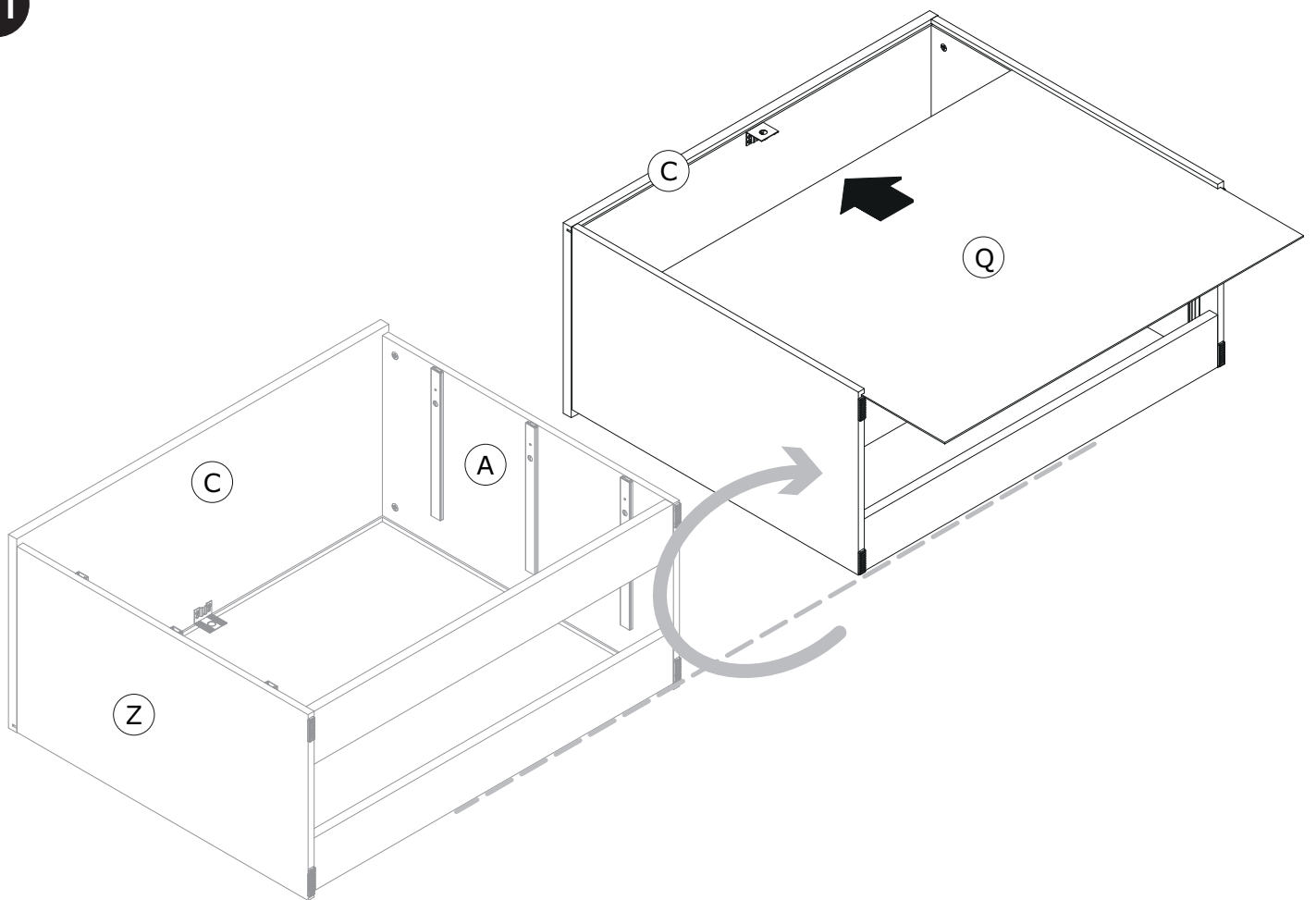
9



10



11



12

12x



V5

12x

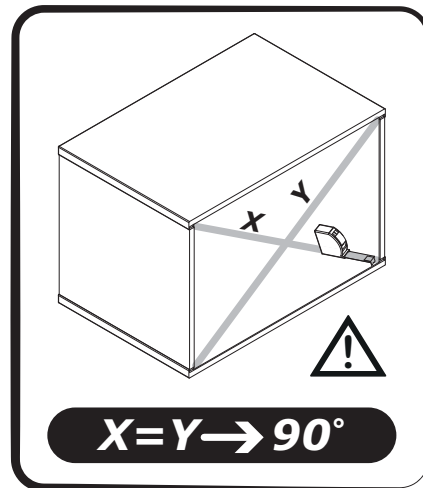
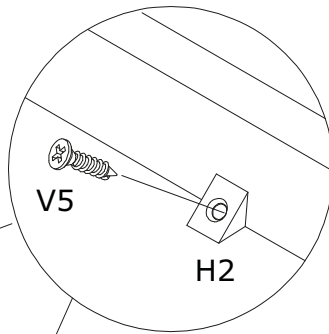
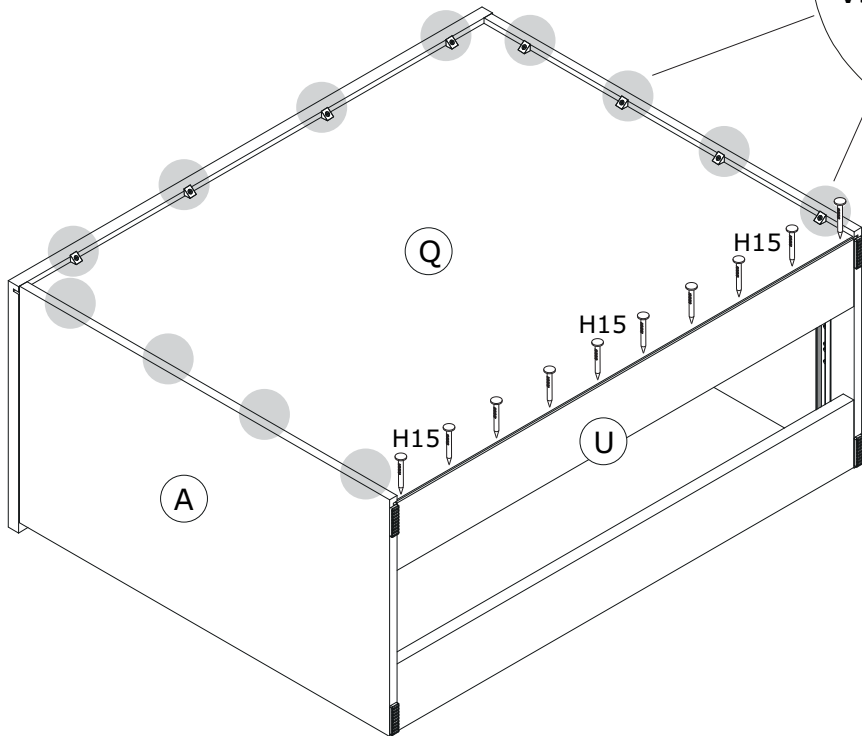
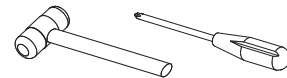


H2

10x



H15



13

