



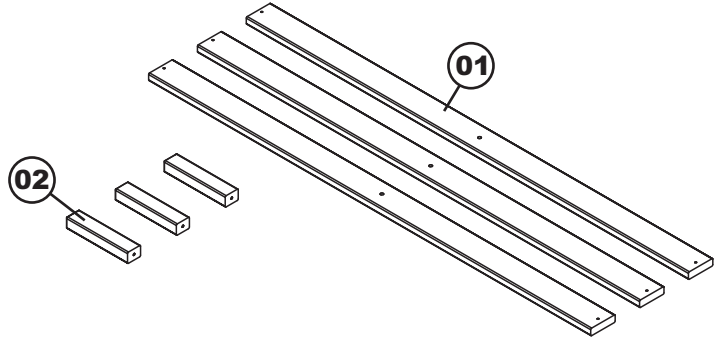
# FOUNDATION SUPPORT BOARDS

## ASSEMBLY INSTRUCTIONS ( FULL )

Before assembling your Support boards, please read through these instructions carefully and familiarize yourself with the different parts.  
Please note that you will require a Phillips screwdriver.

### PARTS LIST

- 01 SUPPORT BOARDS 3 PCS
- 02 CENTER LEG 3 PCS

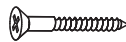


PO :

### HARDWARE



- A 1 1/2" Allen screw - 3 pcs  
Spare - 1 pc



- B 1 1/4" Wood screw - 6 pcs  
Spare - 1 pc



- C Allen wrench - 1 pc  
Spare - 1 pc

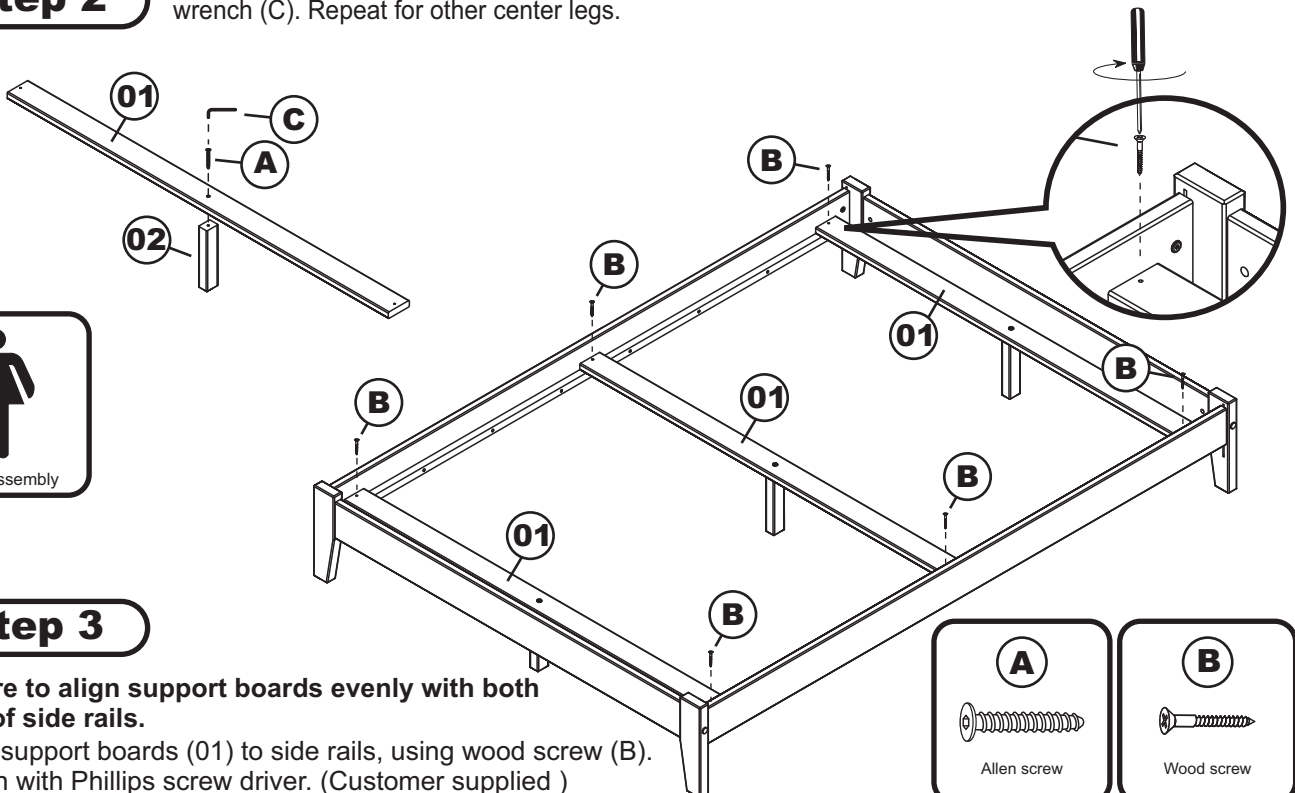
NOTE: WE INCLUDE SPARE HARDWARE IN CASE THE WOOD SCREW OR ALLEN SCREW ARE DAMAGED DURING ASSEMBLY.

### Step 1

Assemble bed frame according to assembly instructions.

### Step 2

Assemble center leg (02) and support boards (01). Using allen screw (A). Tighten with the Allen wrench (C). Repeat for other center legs.



Adult assembly

### Step 3

Be sure to align support boards evenly with both ends of side rails.

Screw support boards (01) to side rails, using wood screw (B). Tighten with Phillips screw driver. (Customer supplied )

Be sure the space between support boards is even.

